

US00D872680S

(12) **United States Design Patent**
Tian

(10) **Patent No.:** **US D872,680 S**

(45) **Date of Patent:** **** Jan. 14, 2020**

(54) **VTOL FIXED-WING FLYING PLATFORM**

(71) Applicant: **Yu Tian**, Hong Kong (HK)

(72) Inventor: **Yu Tian**, Hong Kong (HK)

(73) Assignee: **Yu Tian**, Upland, CA (US)

(**) Term: **15 Years**

(21) Appl. No.: **29/658,360**

(22) Filed: **Jul. 30, 2018**

(51) **LOC (12) Cl.** **12-06**

(52) **U.S. Cl.**
USPC **D12/328**; D12/326

(58) **Field of Classification Search**
USPC D12/1-4, 16.1, 319-345; D21/436-454
CPC B64C 39/024; B64C 13/16; B64C 19/00;
B64C 2201/021; B64C 2201/141; B60H
1/3442

See application file for complete search history.

(56) **References Cited**

U.S. PATENT DOCUMENTS

D112,834 S *	1/1939	Seversky	D12/324
D342,934 S *	1/1994	Weitemier	D12/300
5,415,365 A *	5/1995	Ratliff	B64C 35/00
				114/271
D571,708 S *	6/2008	Wai	D12/319
D605,576 S *	12/2009	Posva	D12/343
D618,591 S *	6/2010	Nagapetyan	D12/3
D627,404 S *	11/2010	Suzuki	D12/319
D678,169 S *	3/2013	Kennelly	D12/319
D760,638 S *	7/2016	Beskar	D12/344
9,898,033 B1 *	2/2018	Long	G01D 5/145
D822,579 S *	7/2018	Lienhard	D12/328
D824,804 S *	8/2018	Tian	D12/16.1
10,081,436 B1 *	9/2018	Tian	B64D 31/00
D832,154 S *	10/2018	Tian	D12/161
D843,306 S *	3/2019	Tzarnotzky	D12/329
D843,889 S *	3/2019	Merrill	D12/16.1

D843,919 S *	3/2019	Tzarnotzky	D12/329
10,259,563 B2 *	4/2019	Long	B64C 11/02
D852,092 S *	6/2019	Woodworth	D12/16.1
10,308,360 B2 *	6/2019	Sopper	B65D 5/18
10,322,814 B1 *	6/2019	Tian	B64D 31/00
D852,720 S *	7/2019	Zeldin	D12/320
D852,825 S *	7/2019	Selwa	D14/485
10,340,820 B2 *	7/2019	Woodworth	B64C 39/024
2014/0158815 A1 *	6/2014	Renteria	B64C 29/0025
				244/12.1
2016/0236774 A1 *	8/2016	Niedzballa	B64C 27/30
2017/0300067 A1 *	10/2017	Douglas	B64C 29/0025

(Continued)

Primary Examiner — Marissa J Cash

(74) *Attorney, Agent, or Firm* — WPAT, P.C., Intellectual Property Attorneys; Anthony King

(57) **CLAIM**

The ornamental design for a VTOL fixed-wing flying platform, as shown and described.

DESCRIPTION

FIG. 1 is a perspective rear left bottom view of the VTOL fixed-wing flying platform, the perspective rear right bottom view being a mirror image thereof;

FIG. 2 is a perspective front left top view of the VTOL fixed-wing flying platform, the perspective front right top view being a mirror image thereof;

FIG. 3 is a left side view of the VTOL fixed-wing flying platform of FIG. 1, the right side view being a mirror image thereof;

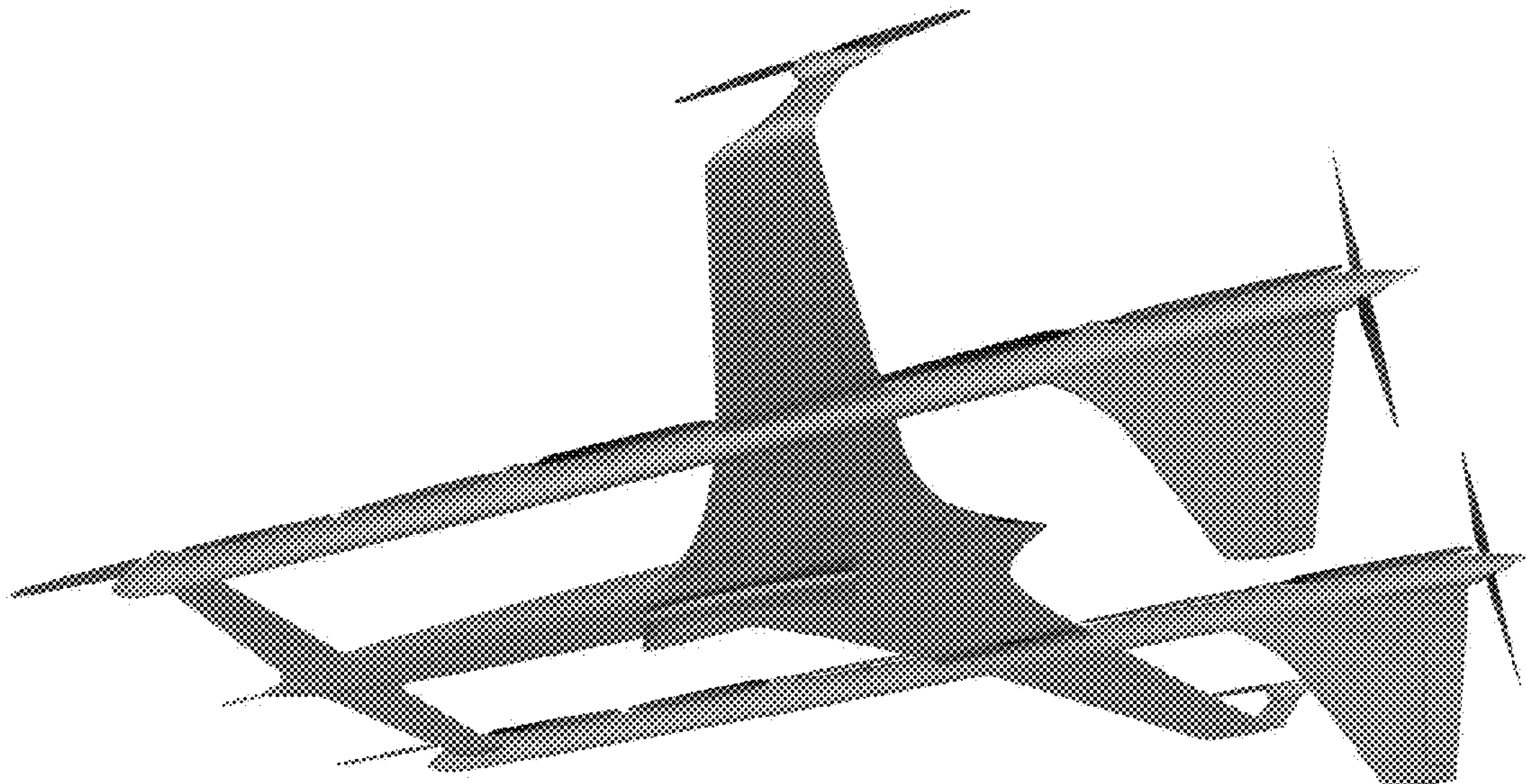
FIG. 4 is a front view of the VTOL fixed-wing flying platform of FIG. 1;

FIG. 5 is a rear view of the VTOL fixed-wing flying platform of FIG. 1;

FIG. 6 is a top view of the VTOL fixed-wing flying platform of FIG. 1; and,

FIG. 7 is a bottom view of the VTOL fixed-wing flying platform of FIG. 1.

1 Claim, 7 Drawing Sheets



(56)

References Cited

U.S. PATENT DOCUMENTS

2018/0290735 A1* 10/2018 Uptigrove B64D 35/04
2018/0297711 A1* 10/2018 Oldroyd B64D 31/06

* cited by examiner

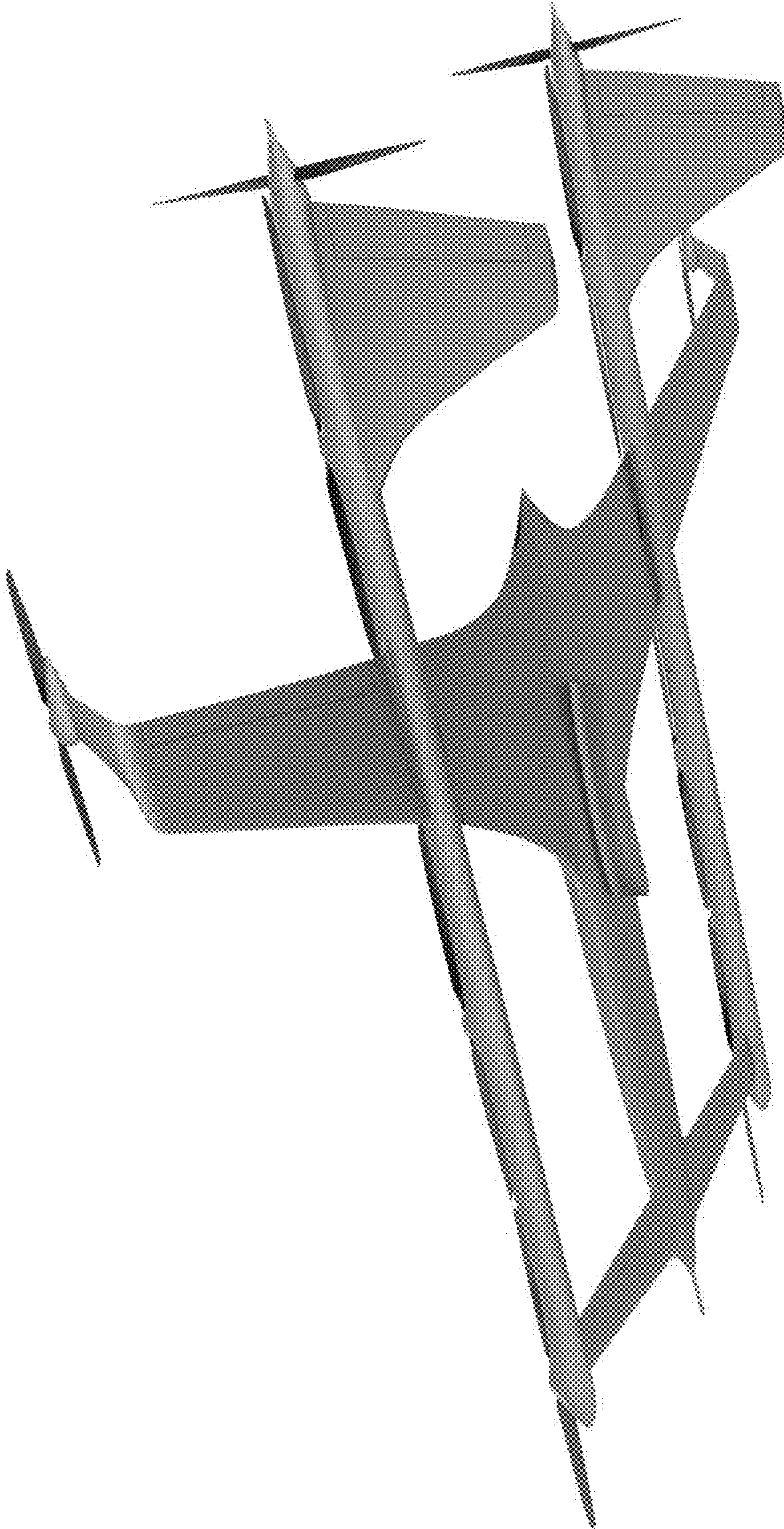


Fig. 1

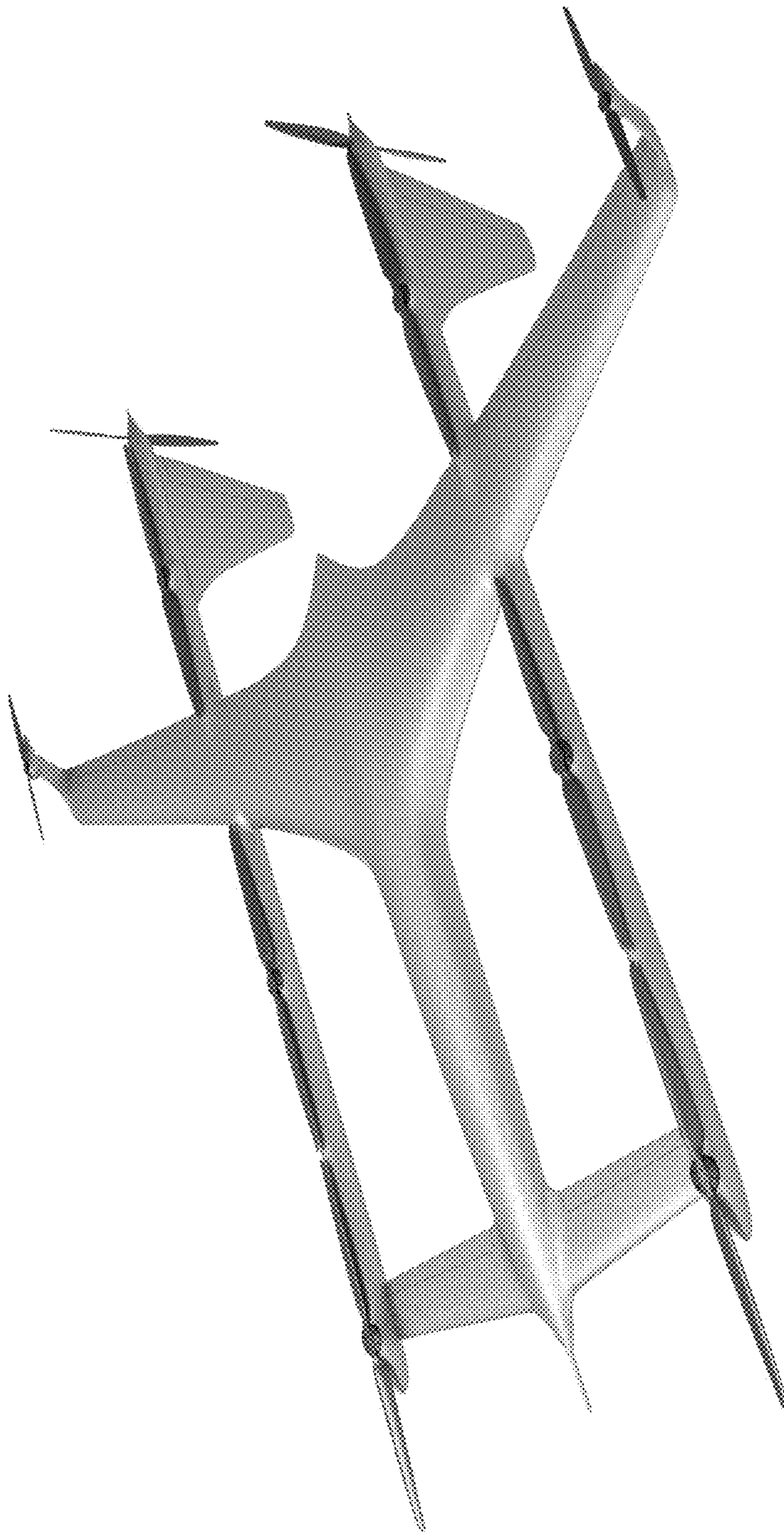


Fig. 2

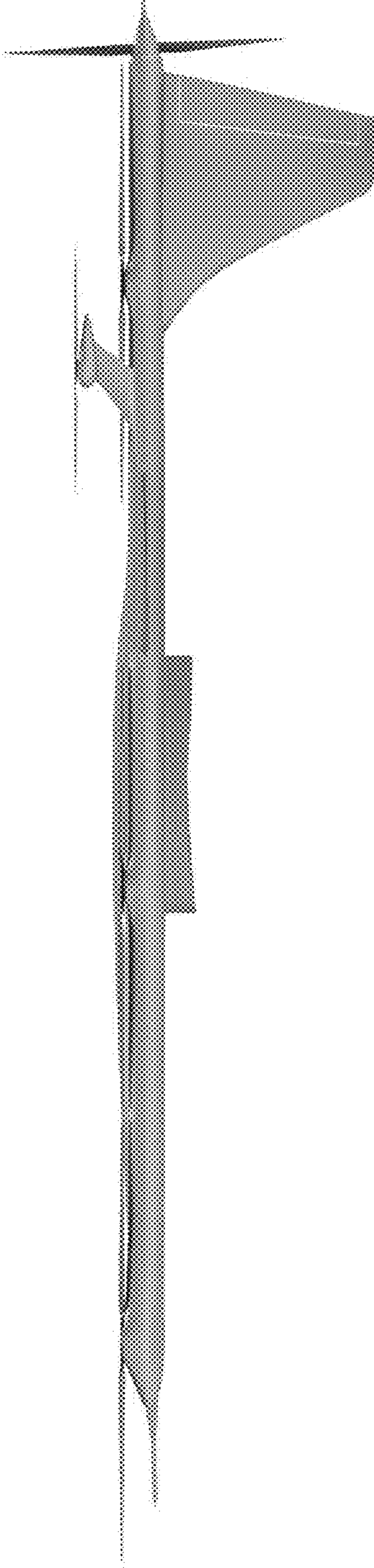


Fig. 3

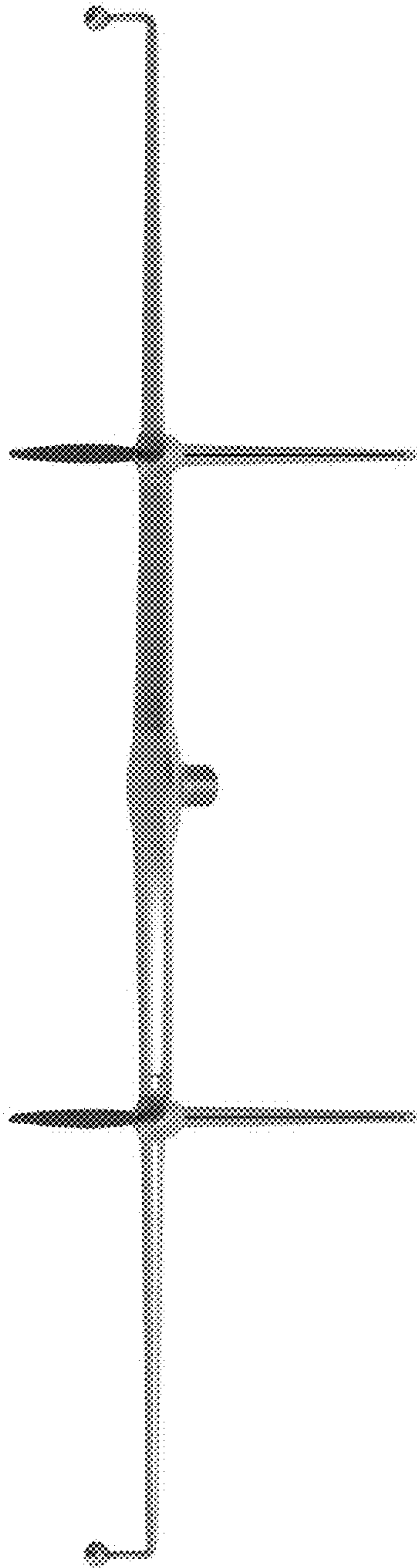


Fig. 4

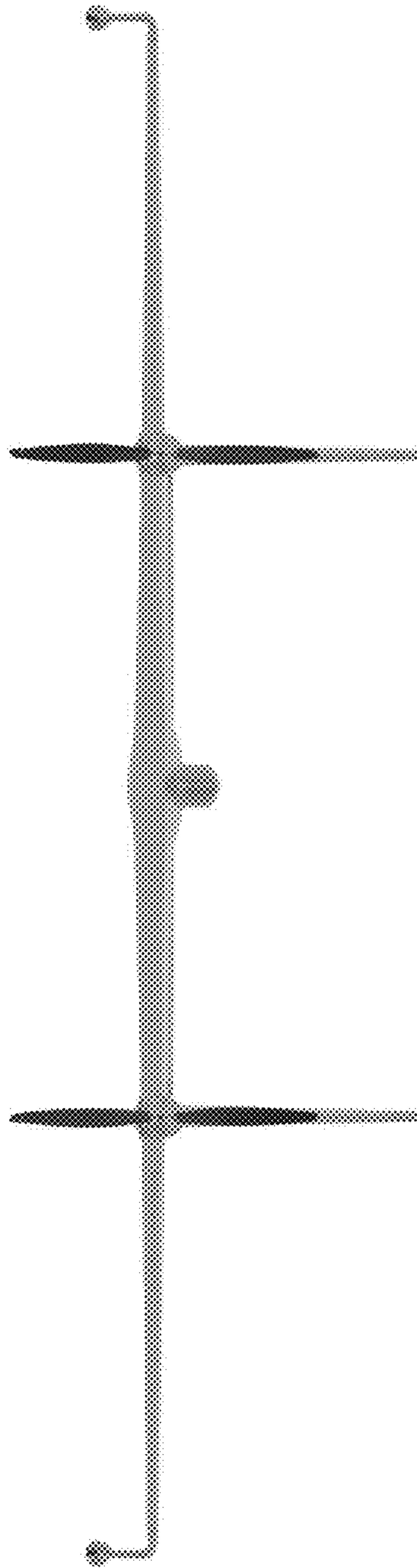


Fig. 5

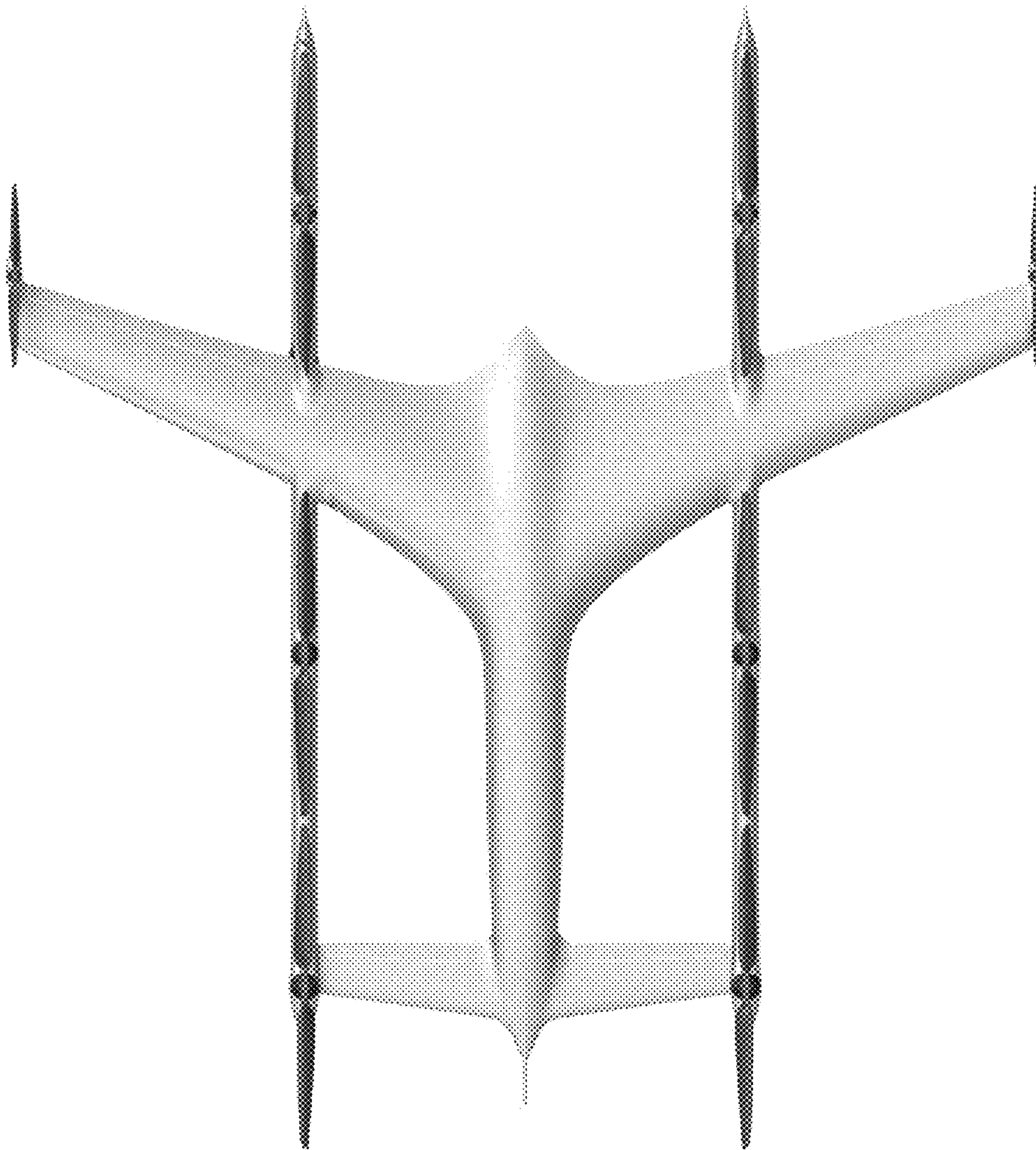


Fig. 6

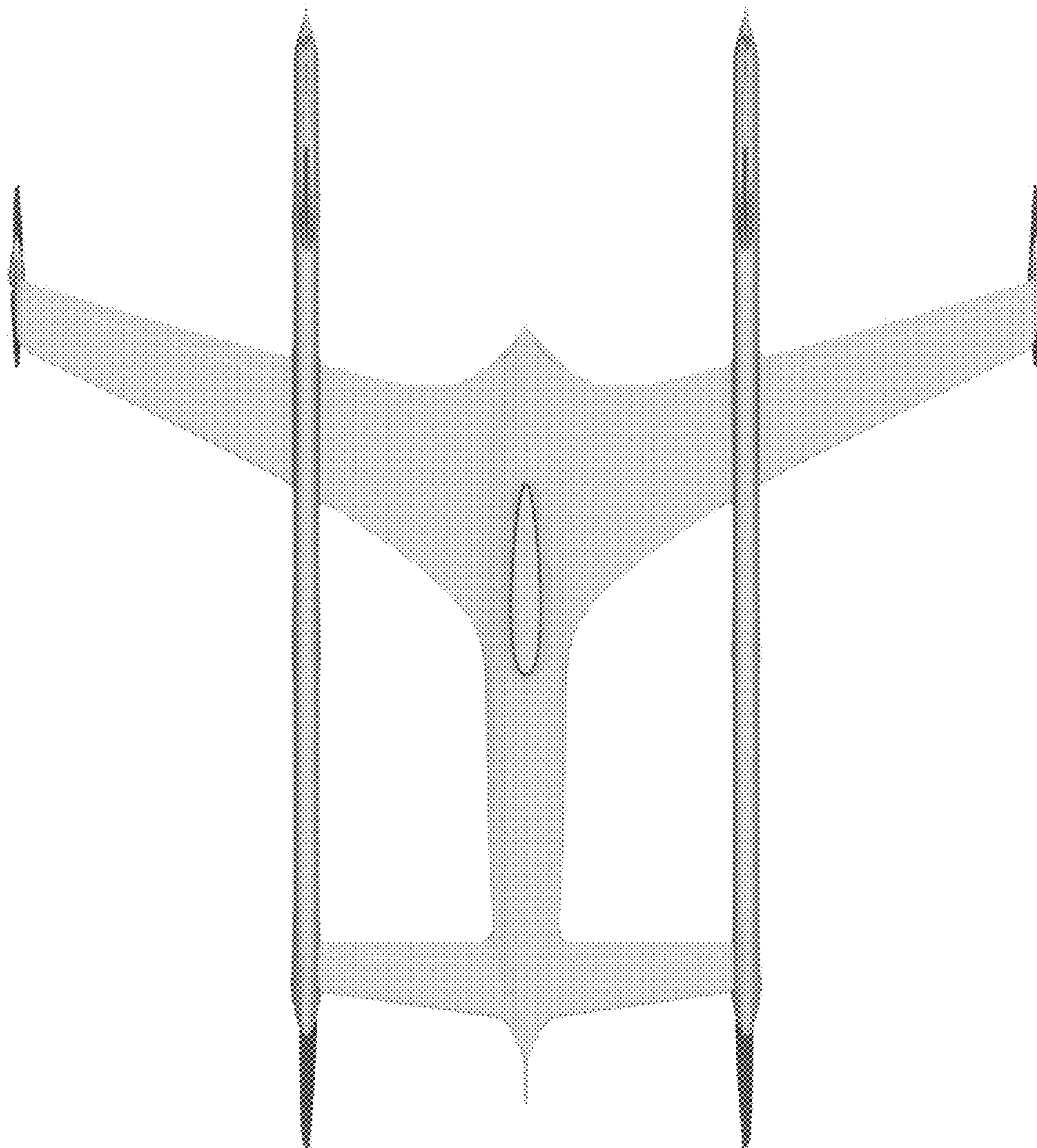


Fig. 7