



US00D872679S

(12) **United States Design Patent**
MacAvoy

(10) **Patent No.:** **US D872,679 S**

(45) **Date of Patent:** **** Jan. 14, 2020**

(54) **CARGO BLOCK**

(71) Applicant: **Exco Technologies Limited**, Dartmouth (CA)

(72) Inventor: **Robert MacAvoy**, Ellershouse (CA)

(73) Assignee: **Exco Technologies Limited**, Dartmouth, Nova Scotia (CA)

(**) Term: **15 Years**

(21) Appl. No.: **29/540,871**

(22) Filed: **Sep. 29, 2015**

(51) **LOC (12) Cl.** **12-06**

(52) **U.S. Cl.**
USPC **D12/223**

(58) **Field of Classification Search**
USPC D34/28, 34, 35, 38; 108/57.25, 54.1, 108/53.1, 57.28, 51.11, 52.1, 55.1, 55.3, 108/55.5, 57.13, 53.3, 53.5, 56.1, 57.14, 108/57.16, 901; 206/506, 507, 509, 386, 206/597, 599, 600; 410/101, 121, 94; 248/503; D12/223, 426; D21/500, 484, D21/499, 501, 503; D8/354, 349
CPC B65D 2519/00567; B65D 2519/00104; B65D 2519/00268; B65D 2519/00139; B65D 2519/00208; B65D 2519/00358; B60P 7/0892; B60P 7/15; B64D 9/003
See application file for complete search history.

(56) **References Cited**

U.S. PATENT DOCUMENTS

D347,097 S * 5/1994 Hude D34/28
D349,798 S * 8/1994 Hude D34/28

D413,190 S * 8/1999 Catanach D34/28
6,007,282 A * 12/1999 Mundt B60P 7/0892
410/121
D429,207 S * 8/2000 Throener D12/223
6,702,532 B1 * 3/2004 Throener B60P 7/0892
410/121
9,067,521 B1 * 6/2015 Masanek, Jr. B60R 11/00
9,248,783 B2 * 2/2016 Thom B60R 7/02
D790,797 S * 6/2017 Buell D34/35

* cited by examiner

Primary Examiner — Gino Colan

(74) *Attorney, Agent, or Firm* — Gowling WLG (Canada) LLP; Jeffrey W. Wong

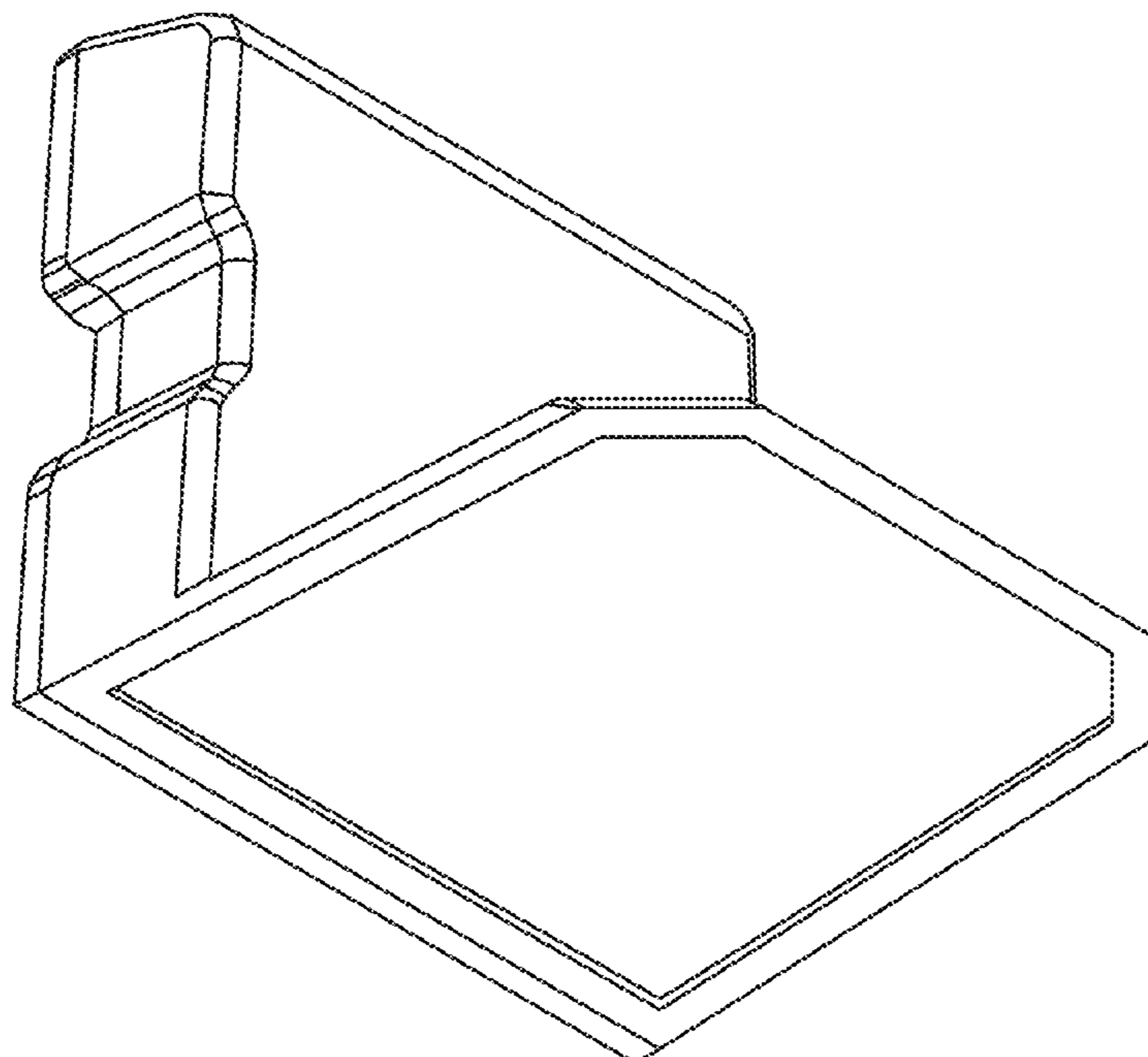
(57) **CLAIM**

The ornamental design for a cargo block, as shown and described.

DESCRIPTION

FIG. 1 is a front bottom left perspective view of a cargo block showing my new design;
FIG. 2 is a front top left perspective view thereof;
FIG. 3 is a rear bottom right perspective view thereof;
FIG. 4 is a front top right perspective view thereof;
FIG. 5 is a right elevation view thereof;
FIG. 6 is a rear elevation view thereof;
FIG. 7 is a left elevation view thereof; and,
FIG. 8 is a top plan view thereof.

1 Claim, 4 Drawing Sheets



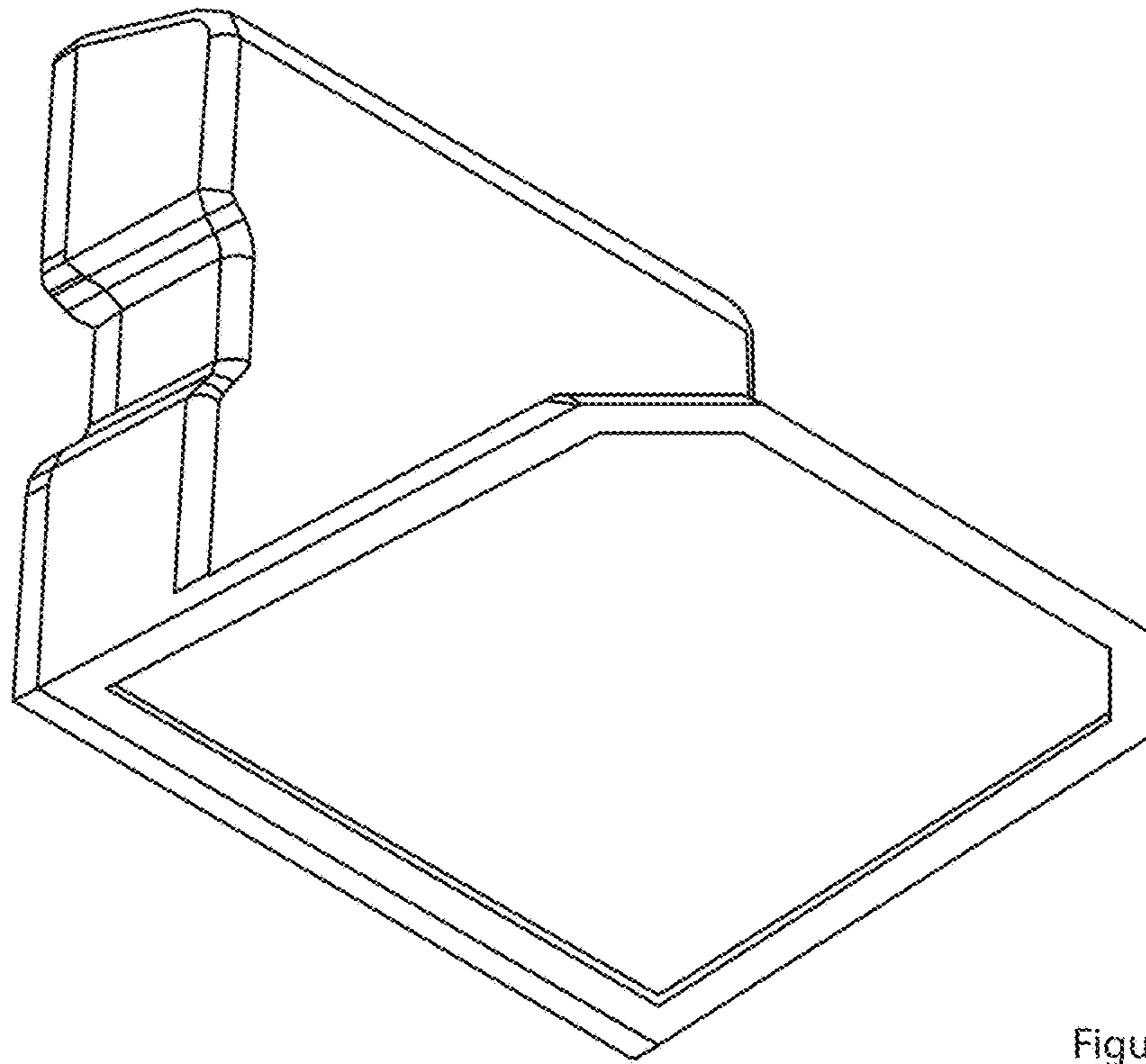


Figure 1

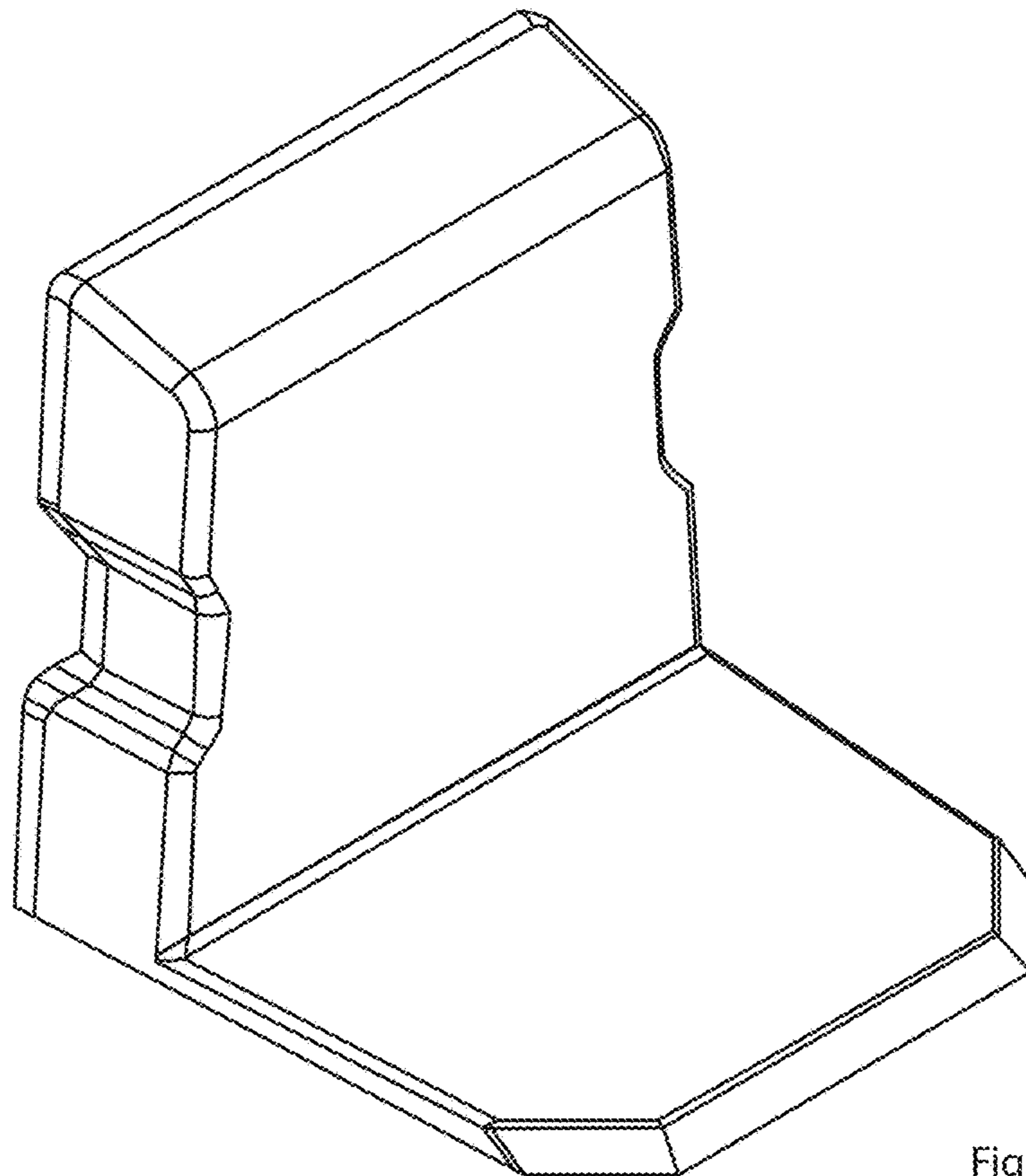


Figure 2

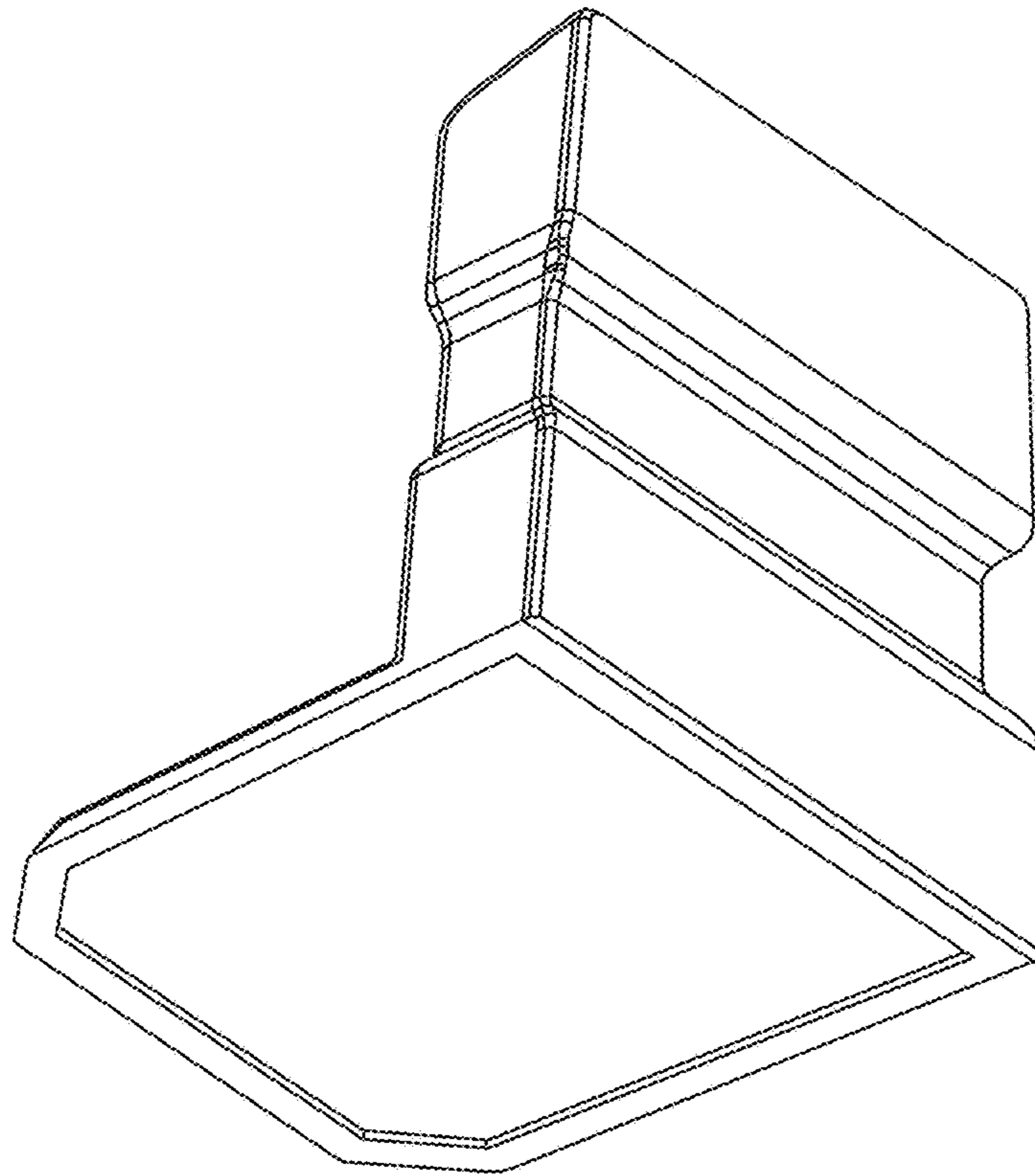


Figure 3

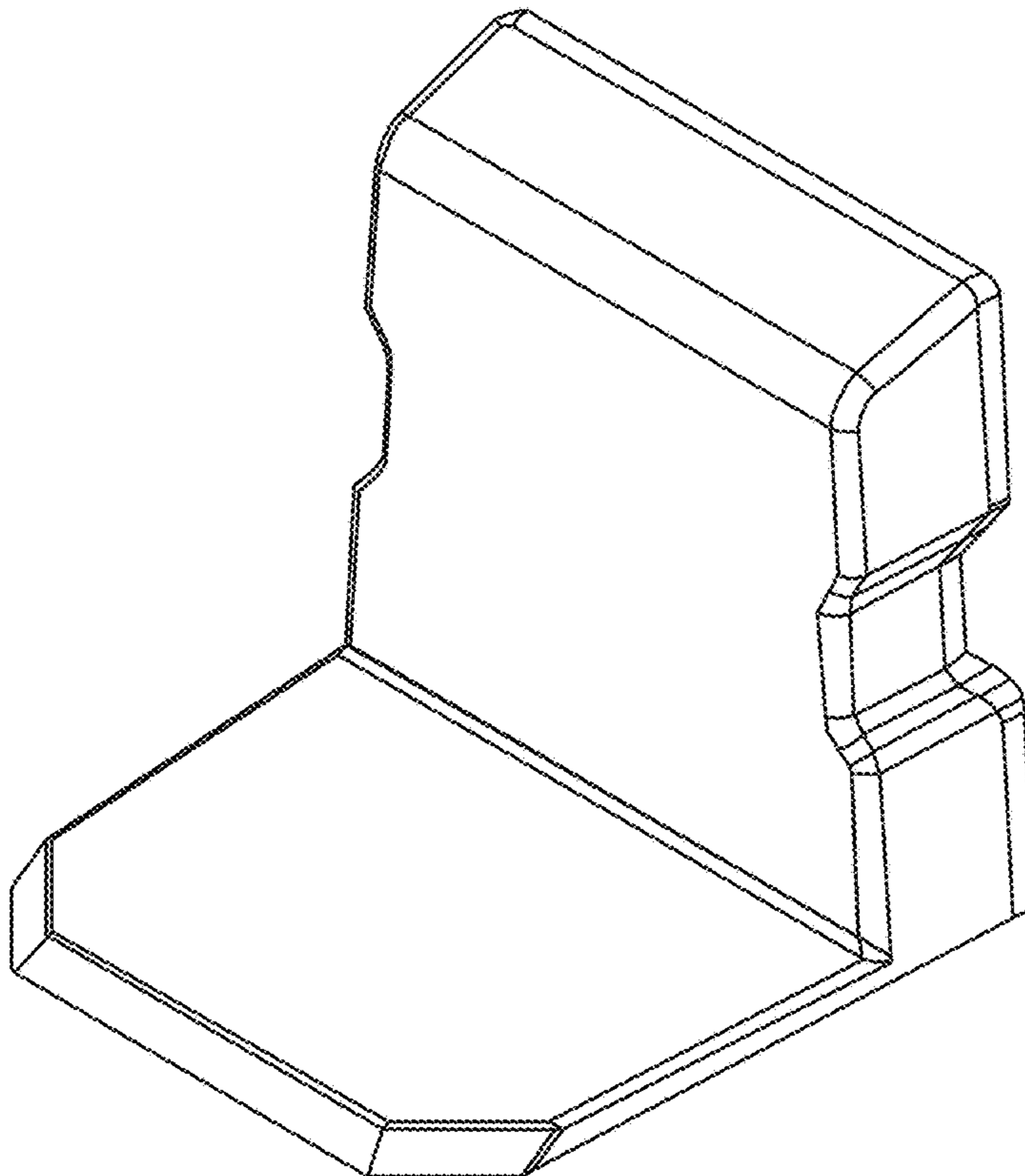


Figure 4

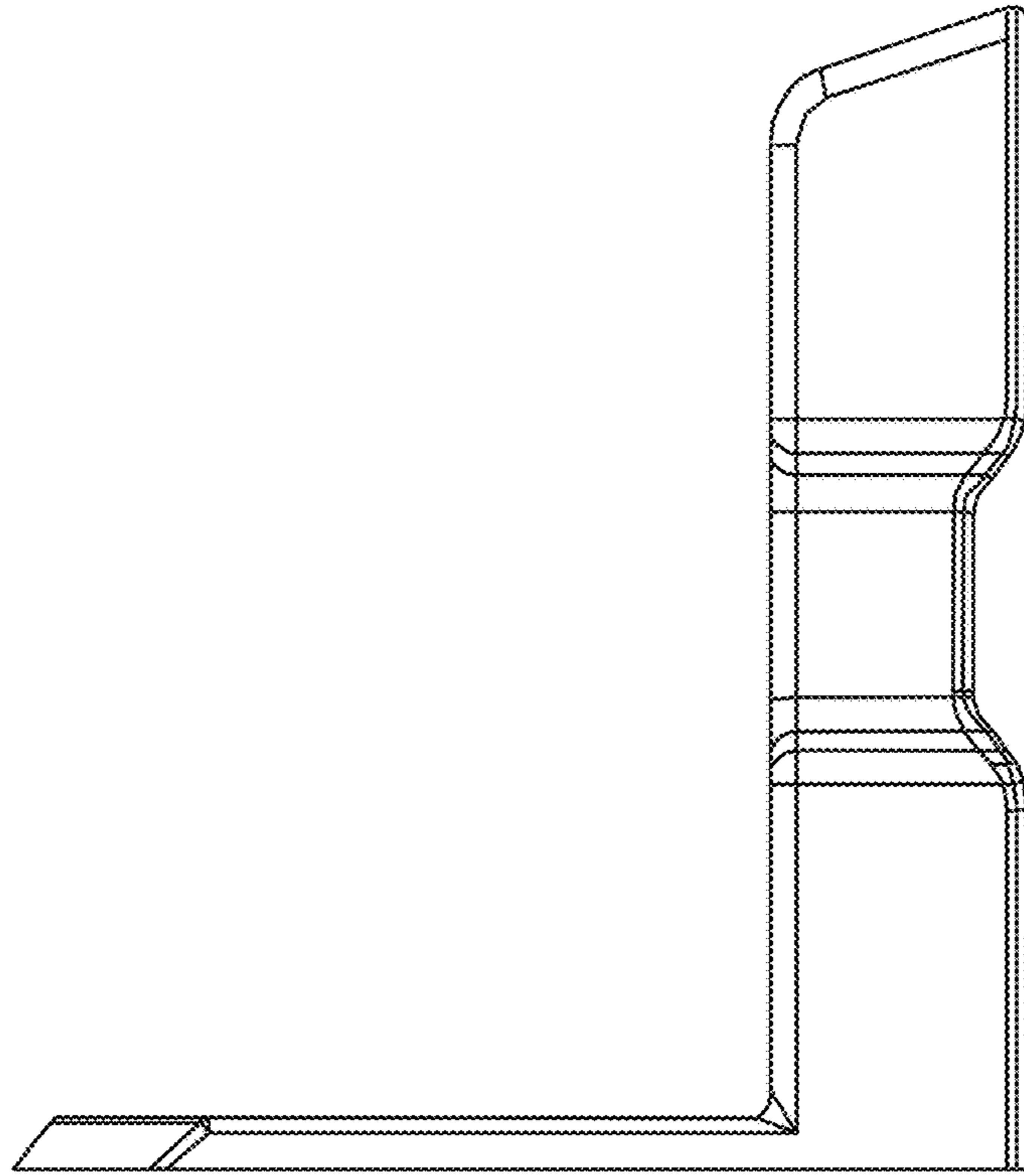


Figure 5

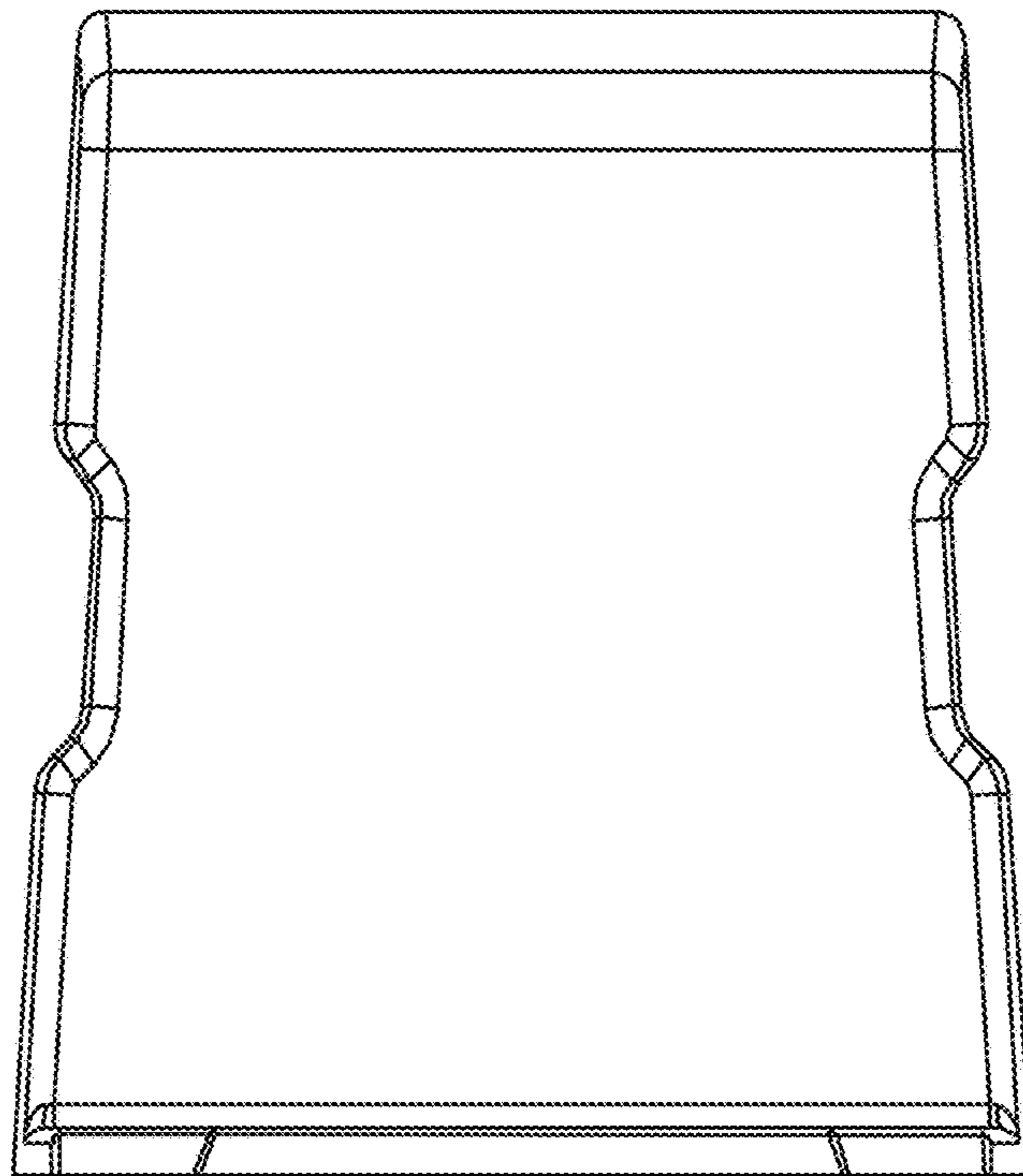


Figure 6

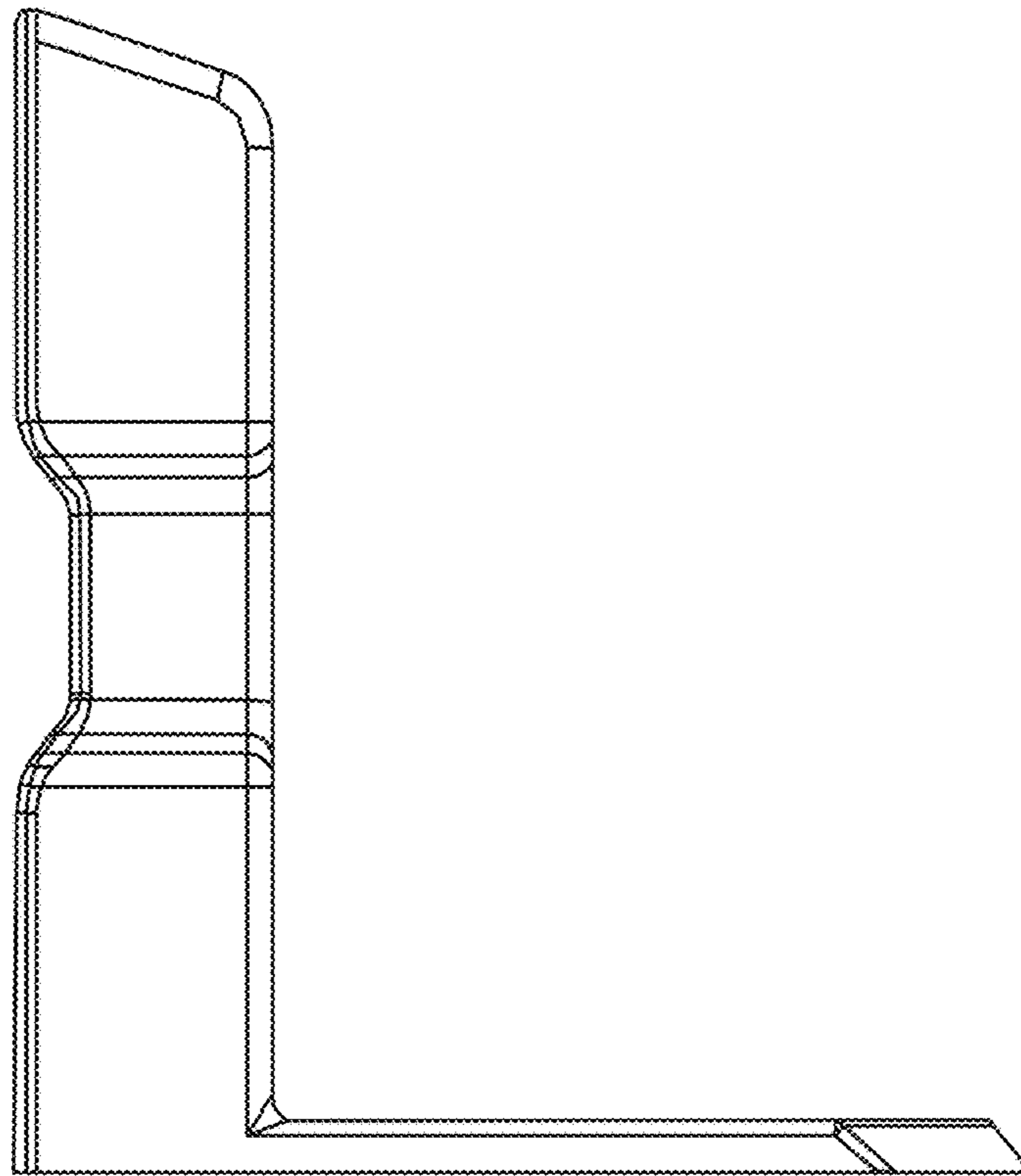


Figure 7

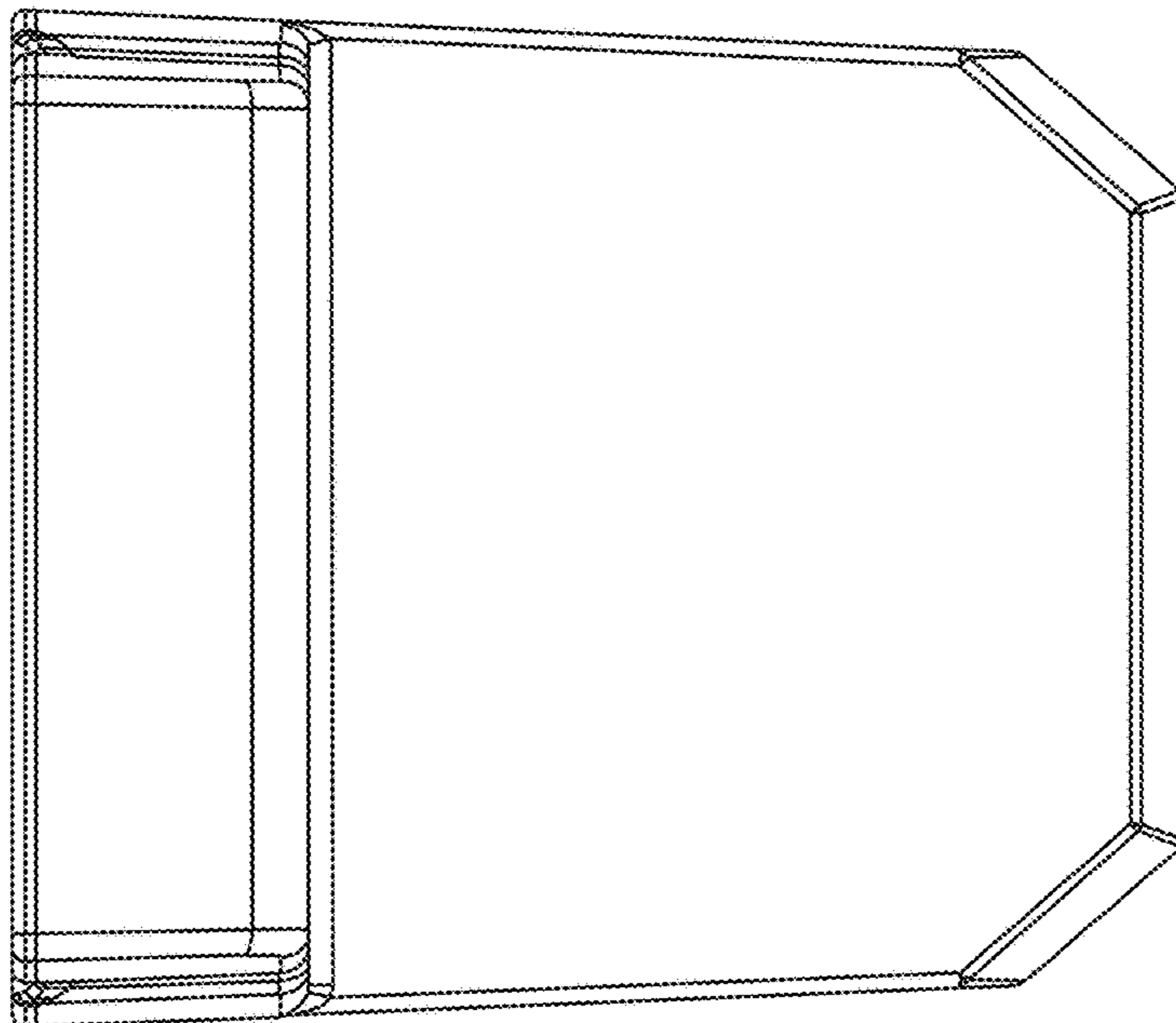


Figure 8