



US00D872677S

(12) **United States Design Patent**
Keen

(10) **Patent No.:** **US D872,677 S**
(45) **Date of Patent:** **** Jan. 14, 2020**

(54) **EXTRUSION**

(71) Applicant: **Aluminium Industries Investments Pty Ltd**, Dandenong South (AU)

(72) Inventor: **Matthew William Keen**, Narre Warren South (AU)

(73) Assignee: **Aluminium Industries Investments Pty Ltd**, Dandenong South (AU)

(**) Term: **15 Years**

(21) Appl. No.: **29/626,471**

(22) Filed: **Nov. 17, 2017**

(30) **Foreign Application Priority Data**

May 17, 2017 (AU) 201712992

(51) **LOC (12) Cl.** **12-16**

(52) **U.S. Cl.**
USPC **D12/221**

(58) **Field of Classification Search**

USPC D25/119-126, 164, 199; D20/43, 44;
D26/138; D8/354; D12/190-192, 195,
D12/196, 221-223, 400

CPC E04F 19/02; E04F 19/022; E04F 19/026;
E04F 19/028; E04F 19/06; E04F 19/061;
E04F 13/21; E04F 13/26; E04F 13/28;
E06B 1/34; E06B 1/342; E06B 2001/628;
E06B 2001/2436; E06B 2001/2439; B60R
13/00; B60R 13/01; B60R 13/02; B60R
13/0206; B60R 13/0237; B60R 13/0243;
B60R 13/025; B60R 13/04; B60R 13/06;
B60R 2013/018; B60R 2013/0287; B60R
2013/0293

See application file for complete search history.

(56) **References Cited**

U.S. PATENT DOCUMENTS

D237,103 S * 10/1975 Fisher D12/400
D237,104 S * 10/1975 Fisher D12/400

D241,339 S * 9/1976 La Borde D25/119
D241,396 S * 9/1976 Copeland D25/119
D248,778 S * 8/1978 Kaufmann D25/119
D304,921 S * 12/1989 Castagna D12/190
D328,139 S * 7/1992 Boer D25/119
D347,482 S * 5/1994 Meshulam D25/119
D356,645 S * 3/1995 Boer D25/119
D363,132 S * 10/1995 Simon D25/119
D382,977 S * 8/1997 Gearing D25/119
D387,726 S * 12/1997 Maruoka D12/400
D395,456 S * 6/1998 Ito D25/119
D433,459 S * 11/2000 Balchin D25/119
D438,650 S * 3/2001 Neuhofer, Jr. D25/199

(Continued)

Primary Examiner — L. Martinez

(74) *Attorney, Agent, or Firm* — Richard A. Fagin

(57) **CLAIM**

I claim the ornamental design for an extrusion, substantially as shown and described.

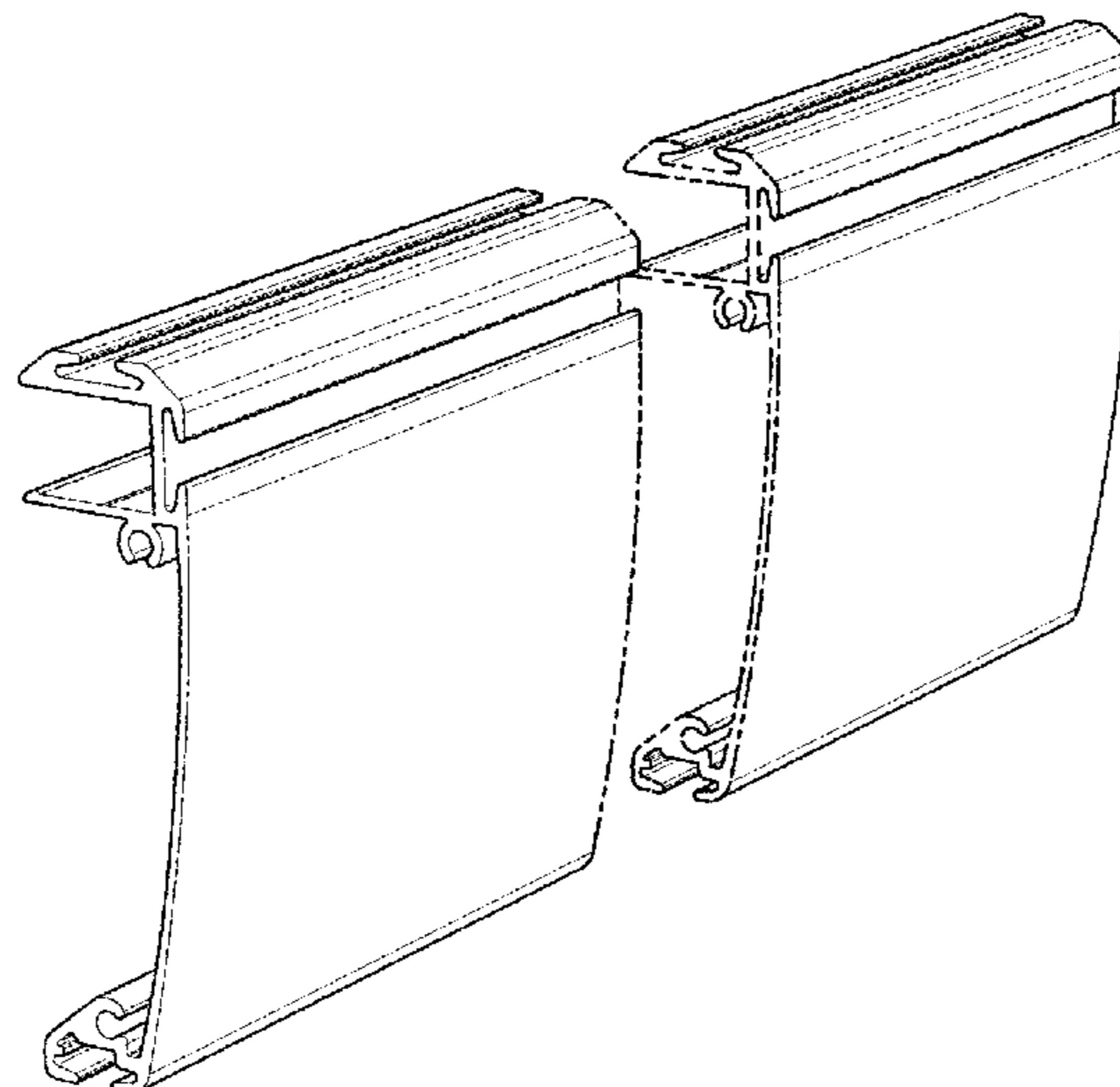
DESCRIPTION

FIG. 1 is a top, front perspective view of an extrusion showing my new design;
FIG. 2 is a bottom, rear perspective view thereof;
FIG. 3 is a front view thereof;
FIG. 4 is a rear view thereof;
FIG. 5 is a left view thereof;
FIG. 6 is a right view thereof;
FIG. 7 is a top view thereof; and,
FIG. 8 is a bottom view thereof.

The double broken lines in the various figures indicate that the design is of indefinite length and do not form part of the claimed design.

The extrusion is shown with a symbolic break in its length. The appearance of any portion of the extrusion between the jagged break lines forms no part of the claimed design.

1 Claim, 6 Drawing Sheets



(56)

References Cited

U.S. PATENT DOCUMENTS

D469,473 S * 1/2003 Cobb D20/43
D484,544 S * 12/2003 Healy D20/43
D486,117 S * 2/2004 Isler D12/223
D513,280 S * 12/2005 Kosir D20/44
D552,687 S * 10/2007 Smalley D20/44
D553,764 S * 10/2007 Vibiano D25/164
D573,723 S * 7/2008 Vibiano D25/164
D574,975 S * 8/2008 Neuhofer, Jr. D25/164
D580,498 S * 11/2008 Healy D20/43
D606,473 S * 12/2009 Schlater D12/190
D614,239 S * 4/2010 Garfinkle D20/44
D614,241 S * 4/2010 Garfinkle D20/44
D685,503 S * 7/2013 Gardner D25/119
D689,208 S * 9/2013 Crocker D25/125
D732,702 S * 6/2015 Gallien D25/119
D772,434 S * 11/2016 Krause D25/121
D803,742 S * 11/2017 Bowman D12/190
2002/0139081 A1 * 10/2002 Nada B60R 13/04
52/716.5
2005/0181173 A1 * 8/2005 Hermann B60R 13/04
428/119
2015/0307138 A1 * 10/2015 Goode E04F 19/02
296/29
2016/0288842 A1 * 10/2016 Ikeno B60R 13/04

* cited by examiner

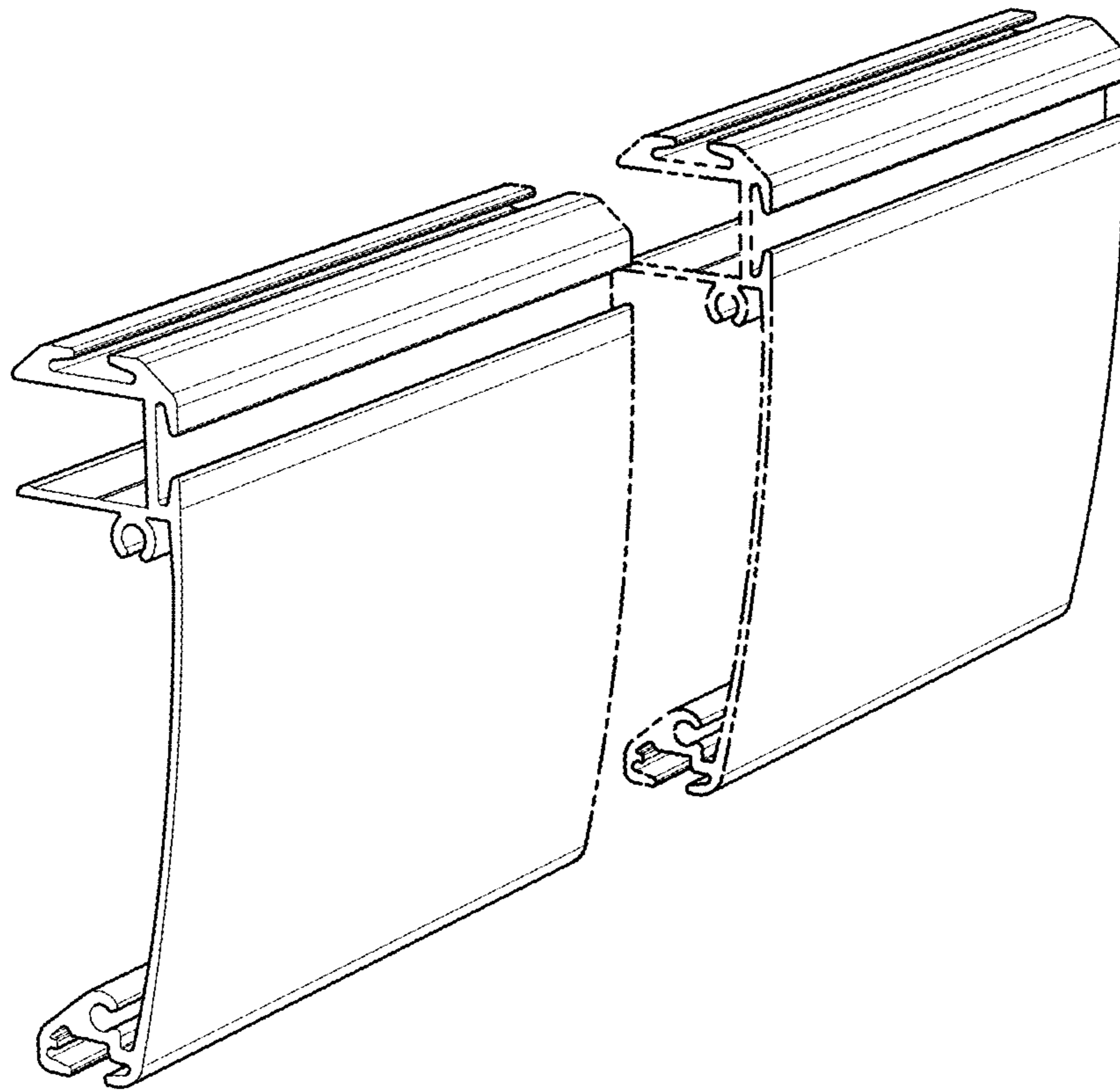


FIG. 1

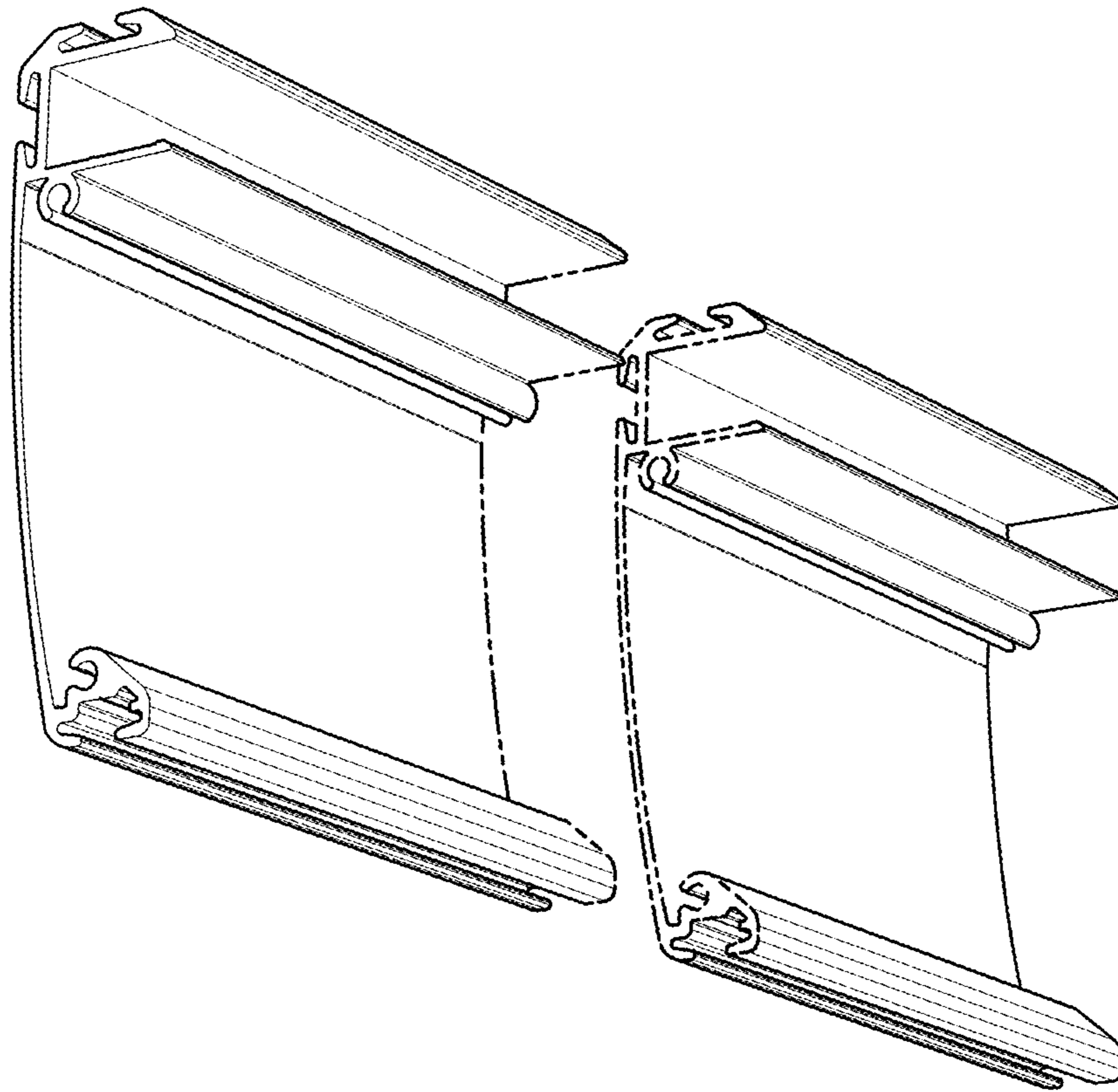


FIG. 2

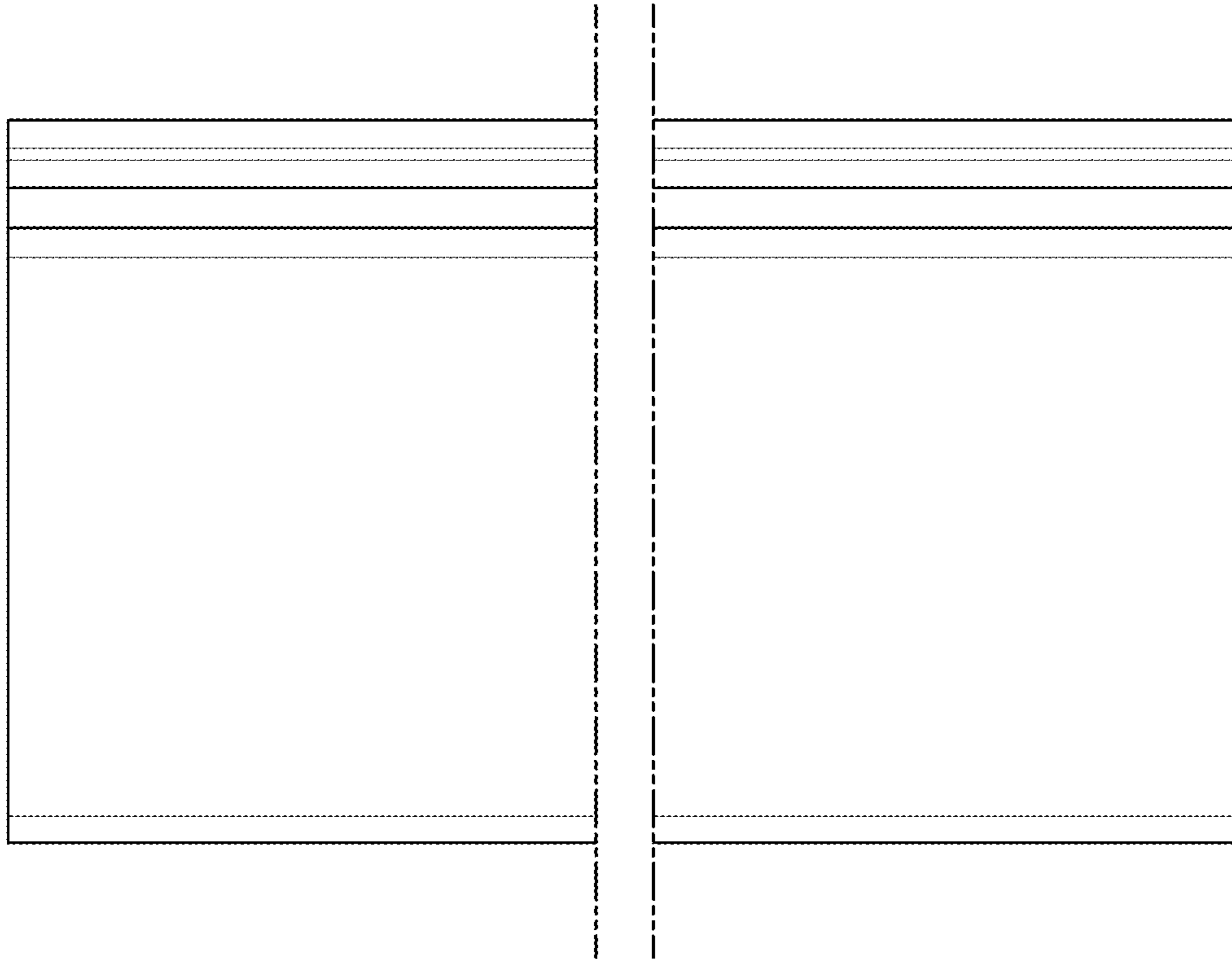


FIG. 3

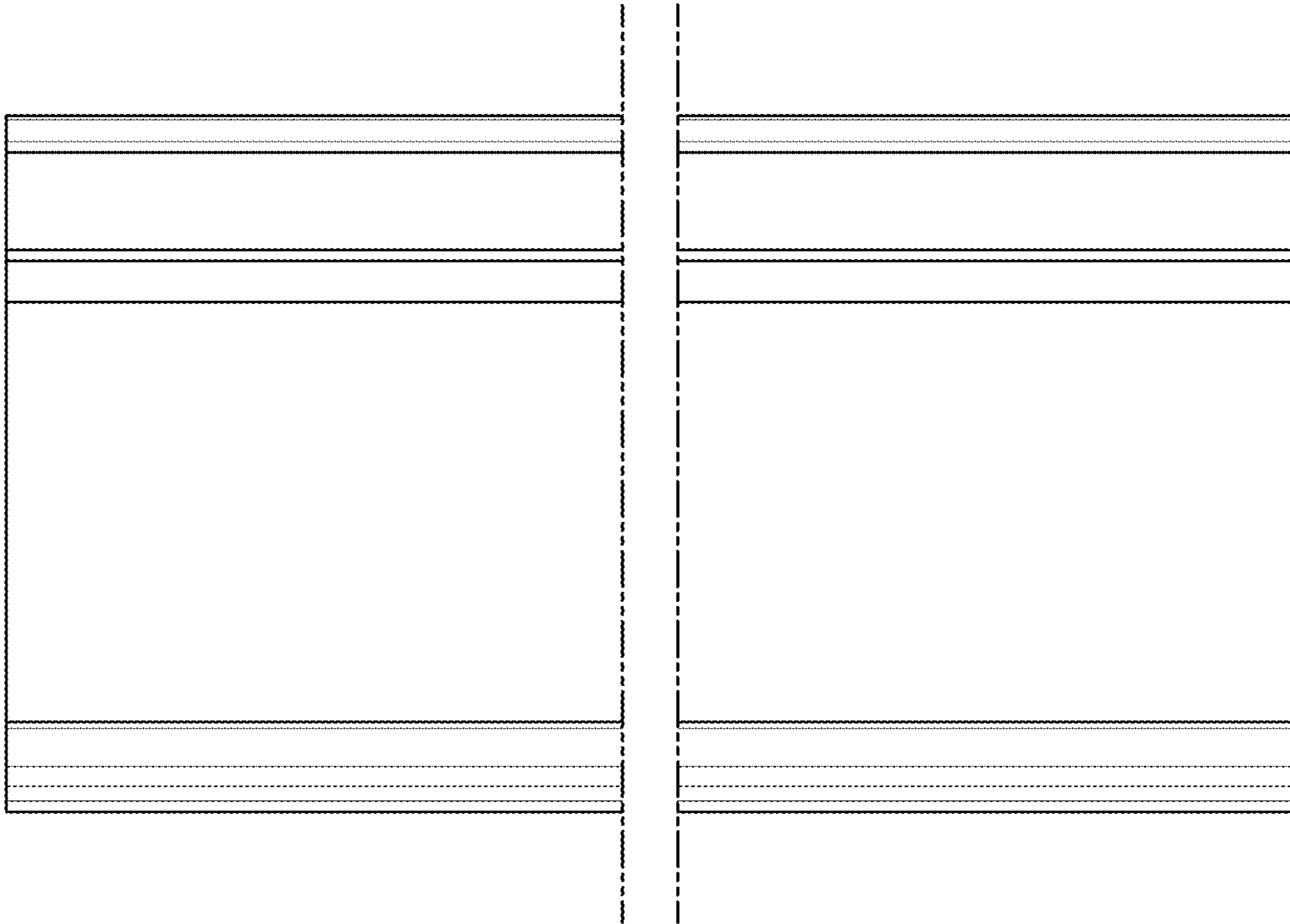


FIG. 4

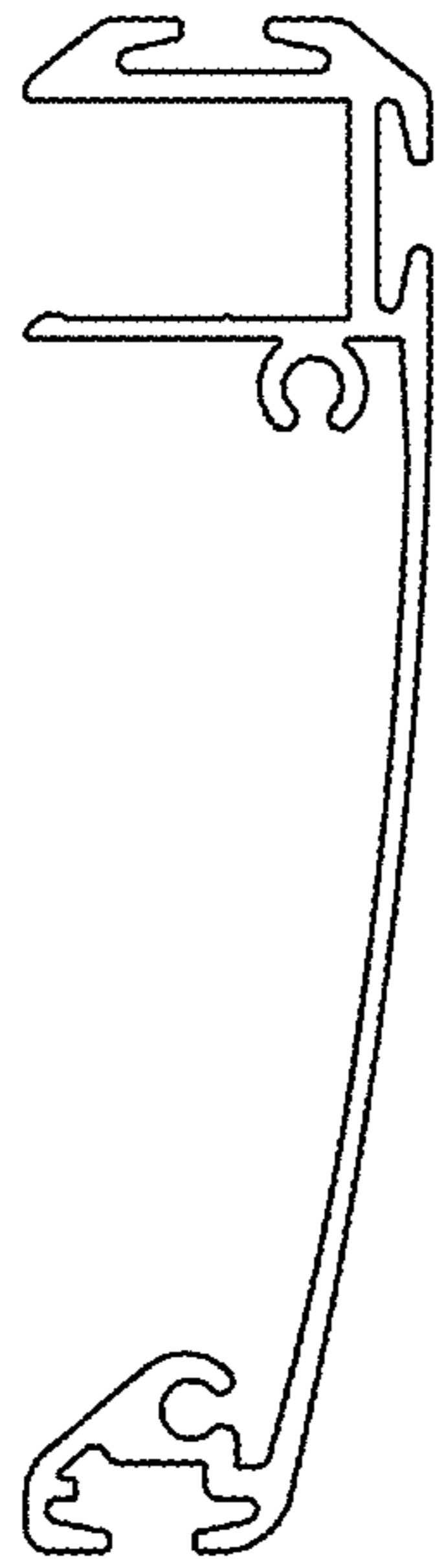


FIG. 5

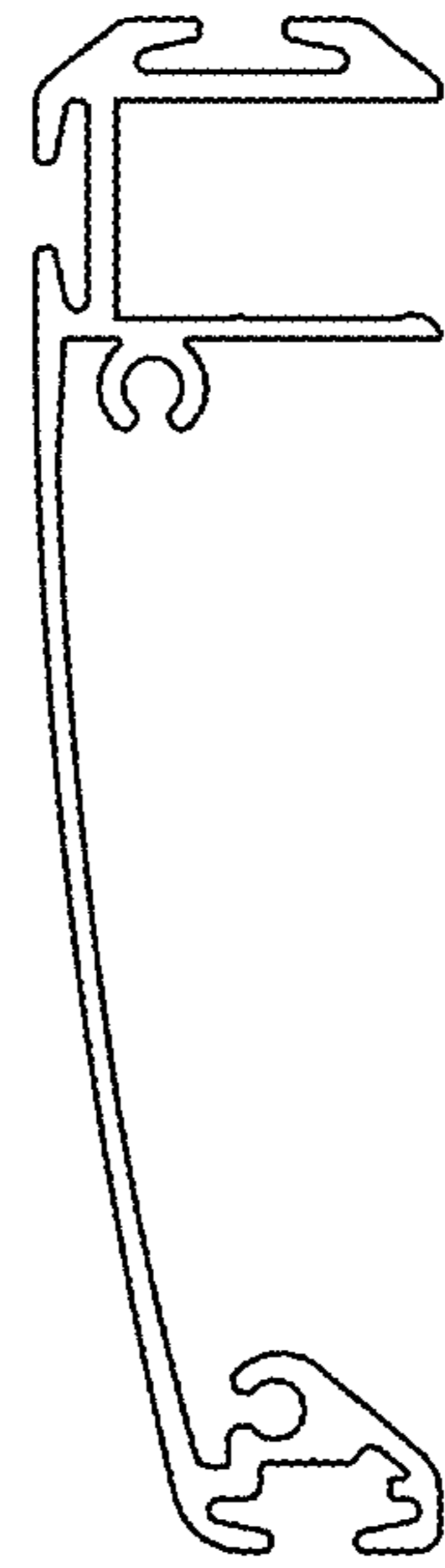


FIG. 6

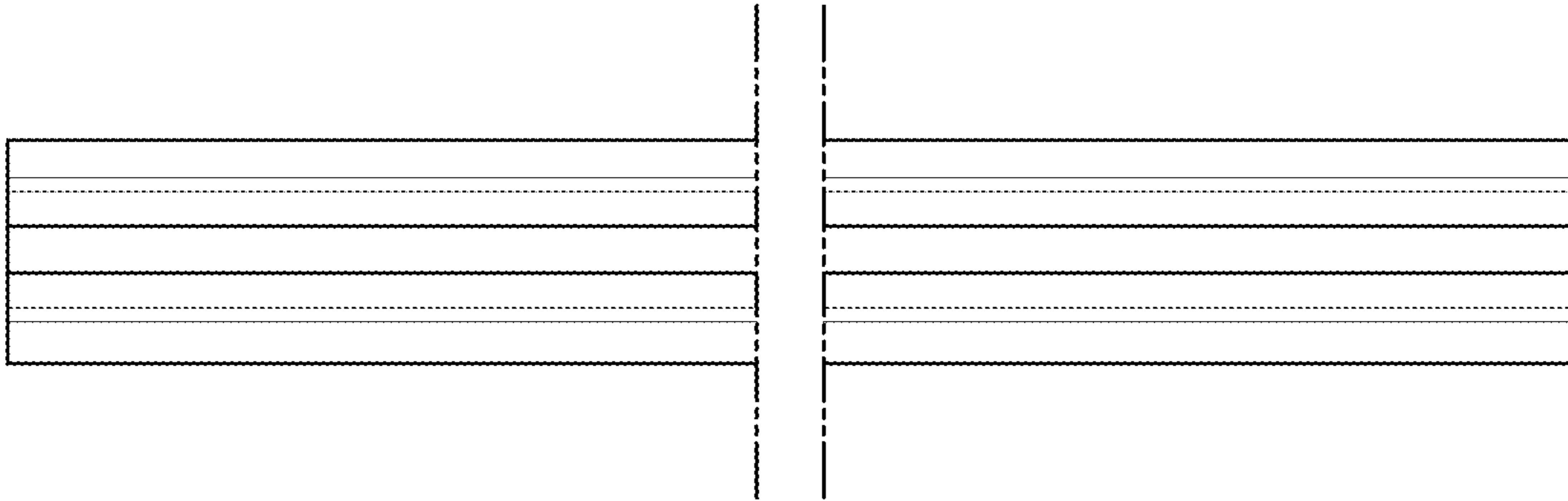


FIG. 7

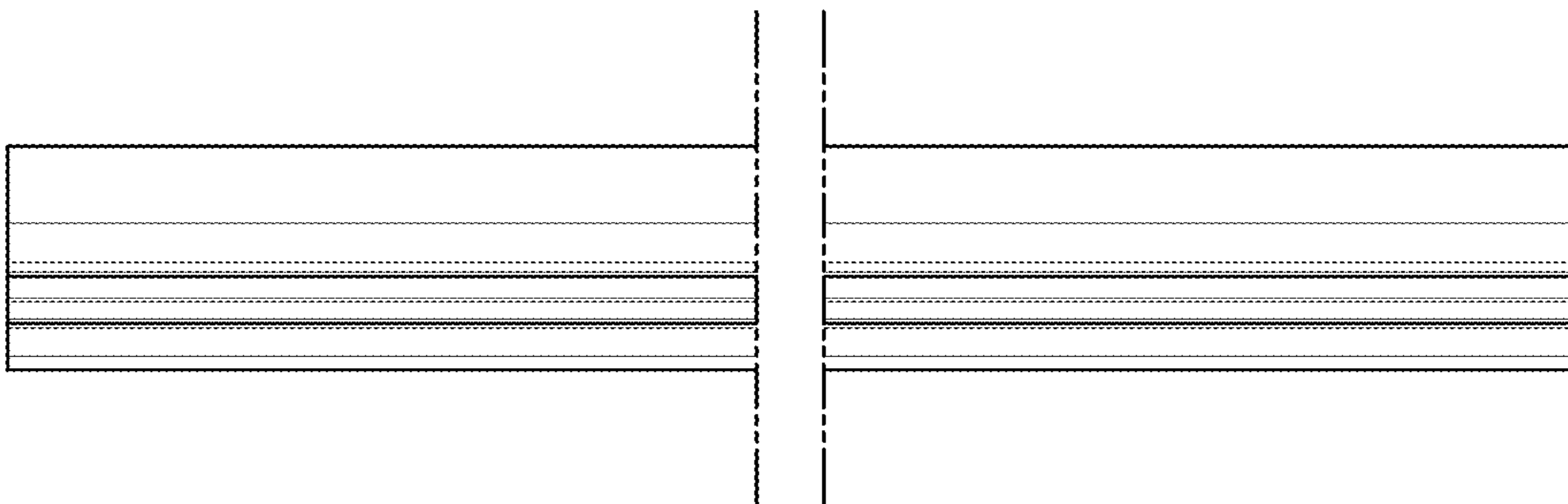


FIG. 8