



US00D872676S

(12) **United States Design Patent**
Depondt

(10) **Patent No.:** **US D872,676 S**
(45) **Date of Patent:** **** Jan. 14, 2020**

- (54) **WINDSHIELD WIPER**
- (71) Applicant: **Robert Bosch GmbH**, Stuttgart (DE)
- (72) Inventor: **Helmut Depondt**, Boutersem (BE)
- (73) Assignee: **Robert Bosch GmbH**, Stuttgart (DE)
- (**) Term: **15 Years**
- (21) Appl. No.: **29/623,862**
- (22) Filed: **Oct. 27, 2017**

(30) **Foreign Application Priority Data**

Apr. 27, 2017 (EM) 003875186

(51) **LOC (12) Cl.** **12-16**

(52) **U.S. Cl.**
USPC **D12/219**

(58) **Field of Classification Search**
USPC D12/219-220; 15/250.001, 250.4,
15/250.361, 250.19, 250.48, 250.351,
15/250.33, 250.03

CPC B60S 1/4003; B60S 1/3801
See application file for complete search history.

(56) **References Cited**

U.S. PATENT DOCUMENTS

- D725,021 S * 3/2015 Poton D12/220
- D725,025 S * 3/2015 Poton D12/220
- D727,238 S * 4/2015 Lepper D12/220
- D784,242 S * 4/2017 Lee D12/220

- D809,989 S * 2/2018 Lee D12/220
- D851,572 S * 6/2019 Kraemer D12/219

* cited by examiner

Primary Examiner — Abraham Bahta

(74) *Attorney, Agent, or Firm* — Maginot, Moore & Beck LLP

(57) **CLAIM**

The ornamental design for a windshield wiper, as shown and described.

DESCRIPTION

FIG. 1 is a perspective view of a windshield wiper showing my new design;

FIG. 2 is a top plan view of the windshield wiper of FIG. 1; FIG. 3 is a bottom plan view of the windshield wiper of FIG. 1;

FIG. 4 is a right side elevational view of the windshield wiper of FIG. 1;

FIG. 5 is a left side elevational view of the windshield wiper of FIG. 1;

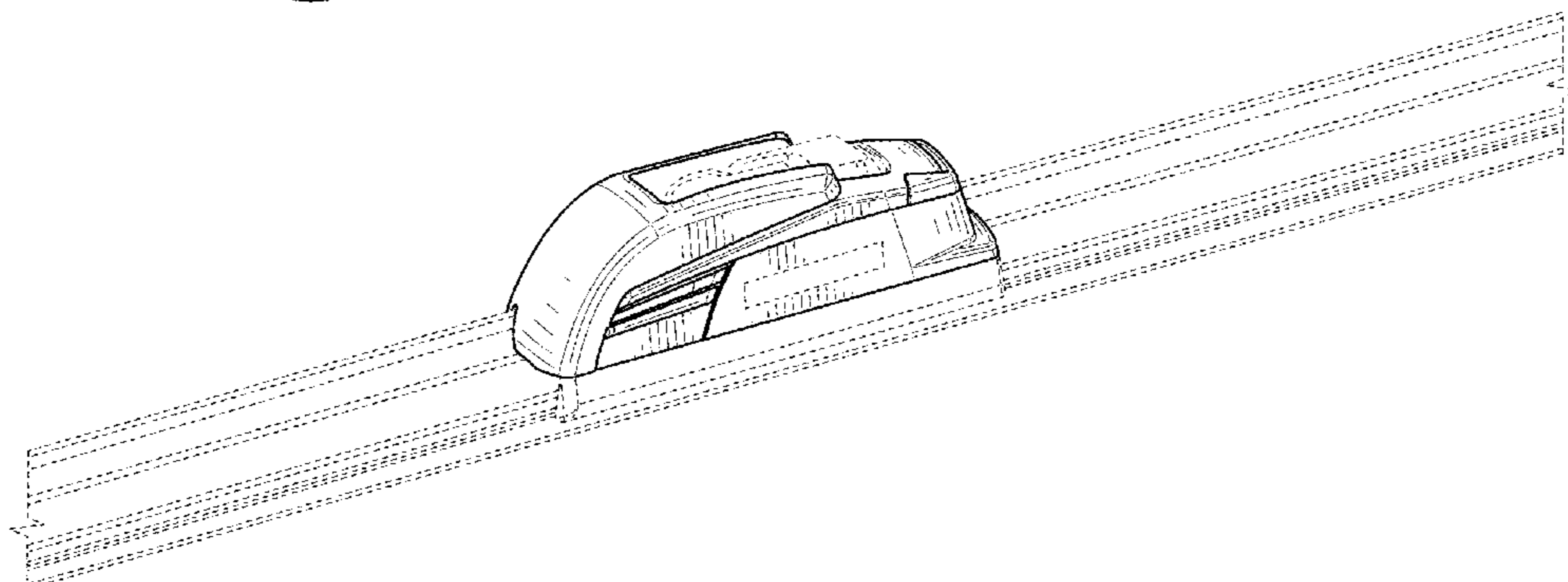
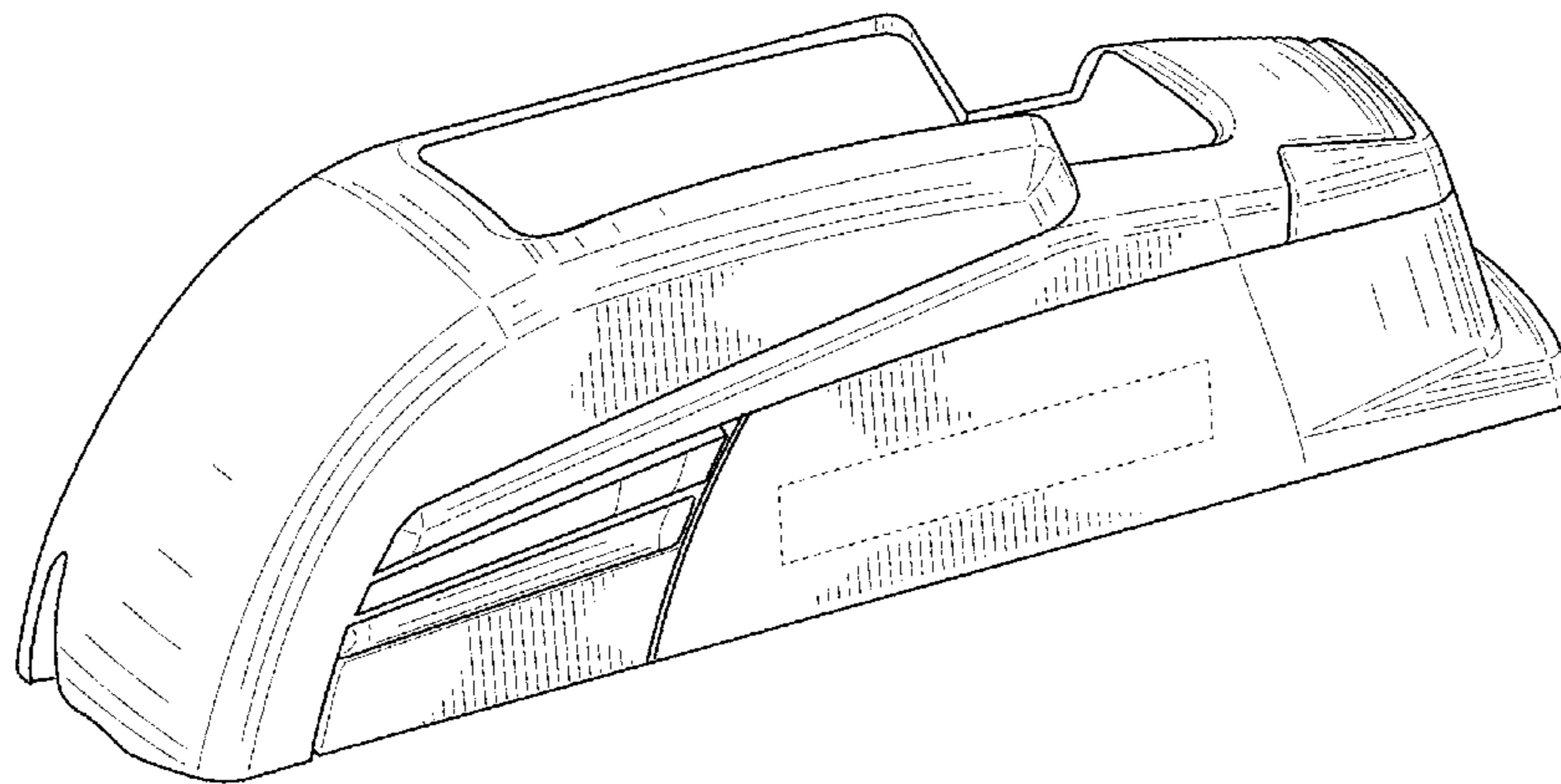
FIG. 6 is a front elevational view of the windshield wiper of FIG. 1;

FIG. 7 is a rear elevational view of the windshield wiper of FIG. 1; and,

FIG. 8 is a perspective view of the windshield wiper of FIG. 1 and a windshield wiper blade.

The broken line showing of portions of the windshield wiper in FIGS. 1, 3-5 and 7-8 and the wiper blade in FIG. 8 is included for the purpose of illustrating environmental structure and forms no part of the claimed design.

1 Claim, 8 Drawing Sheets



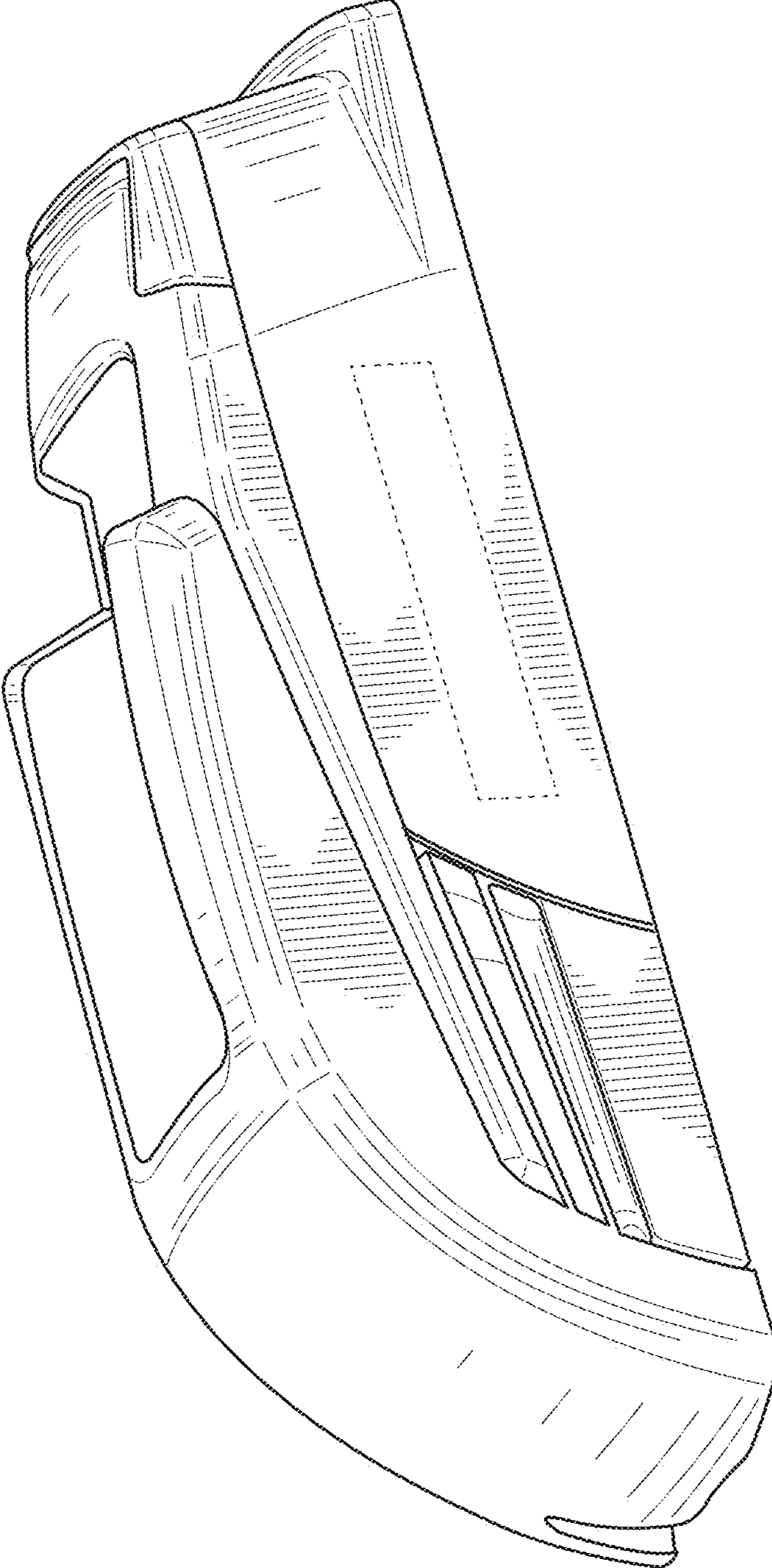


FIG. 1

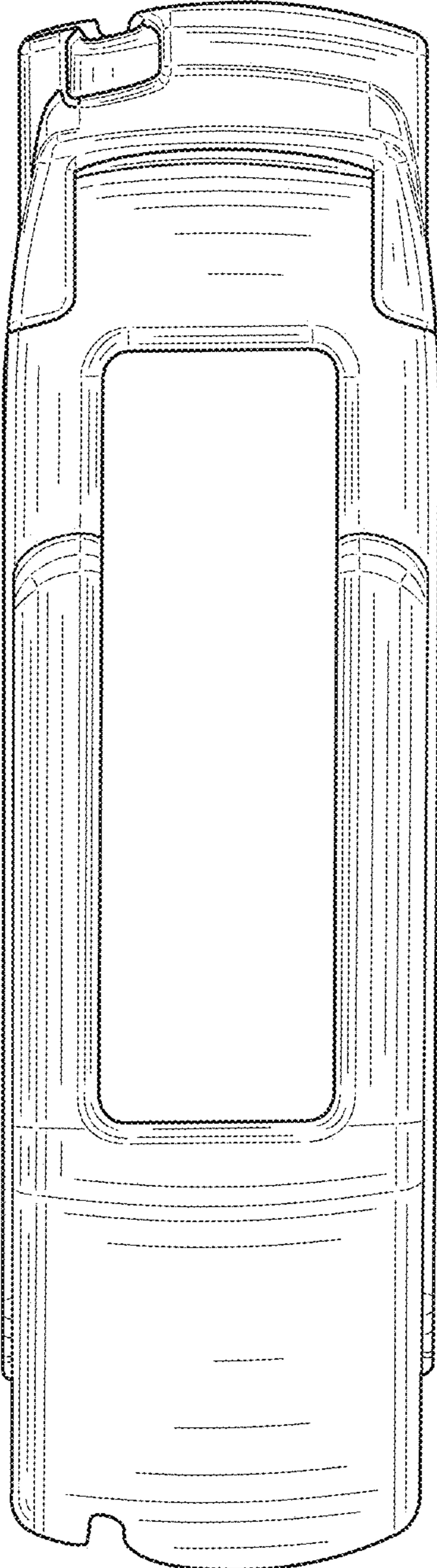


FIG. 2

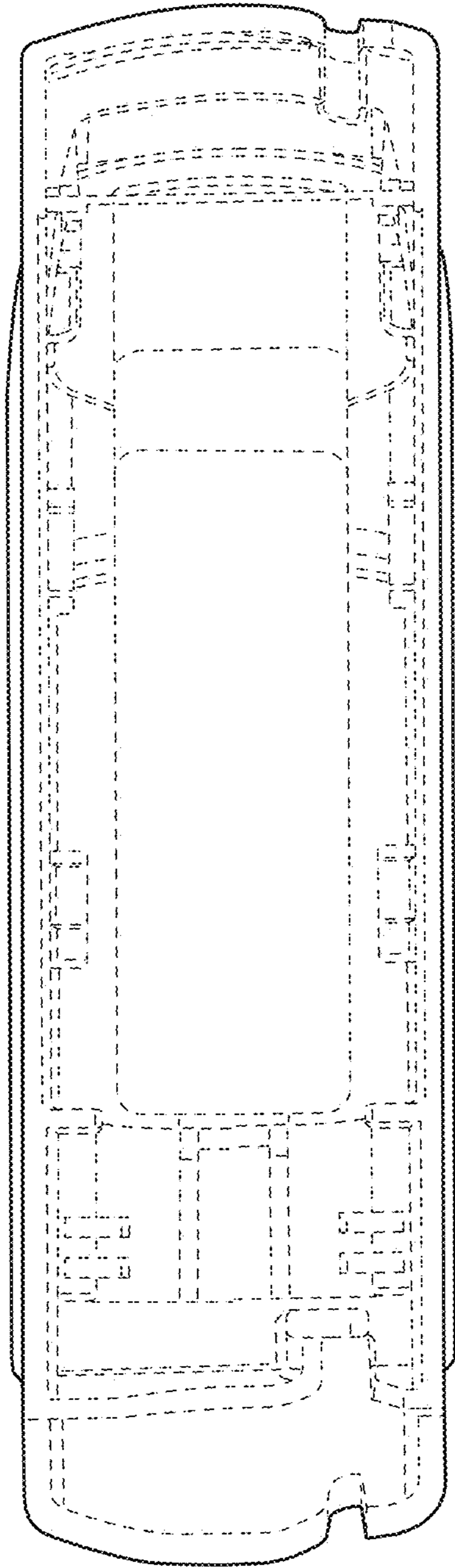


FIG. 3

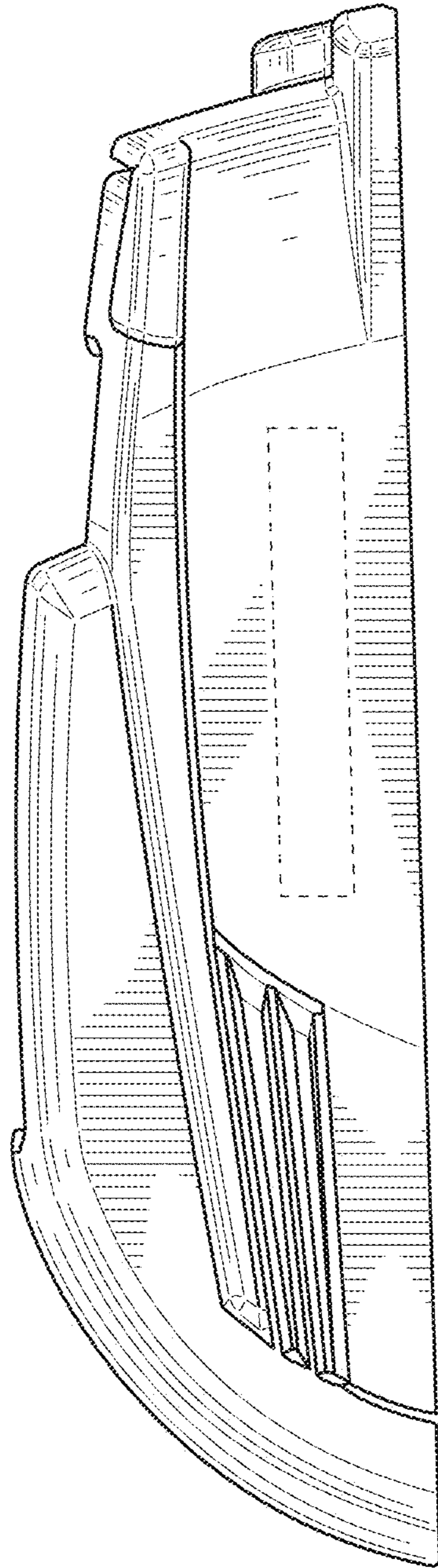


FIG. 4

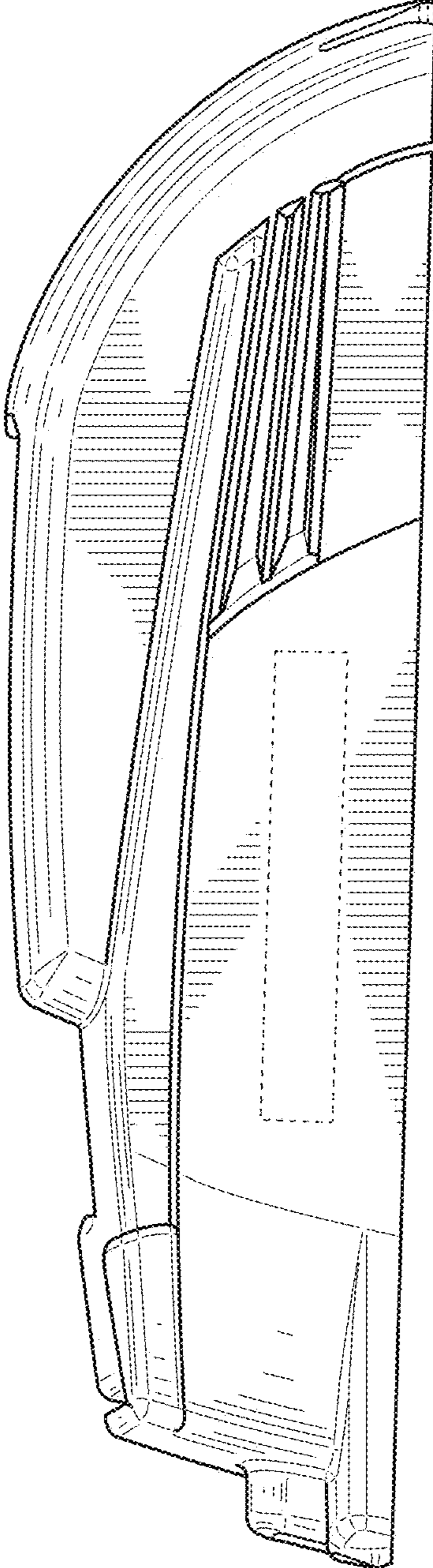


FIG. 5

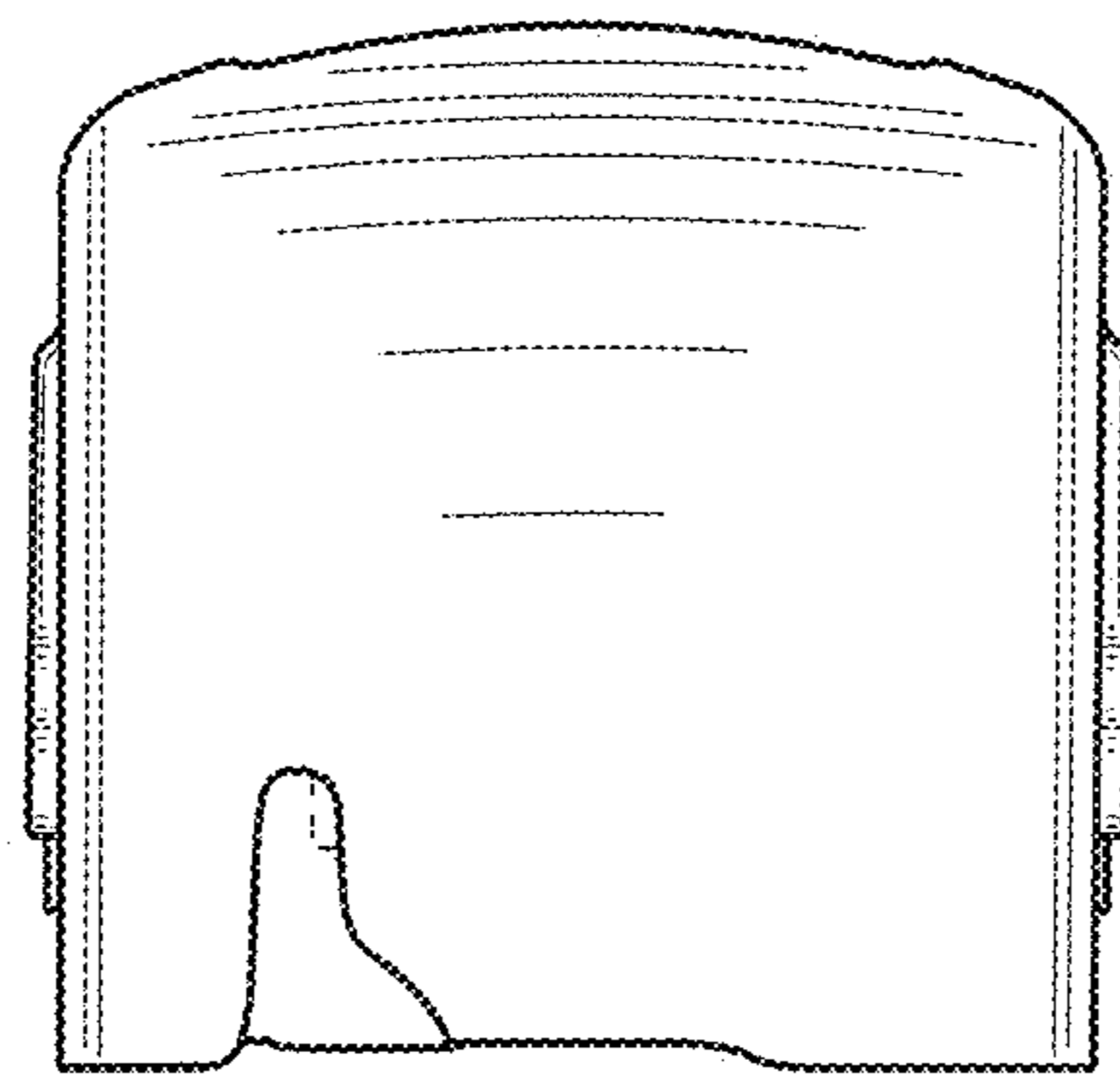


FIG. 6

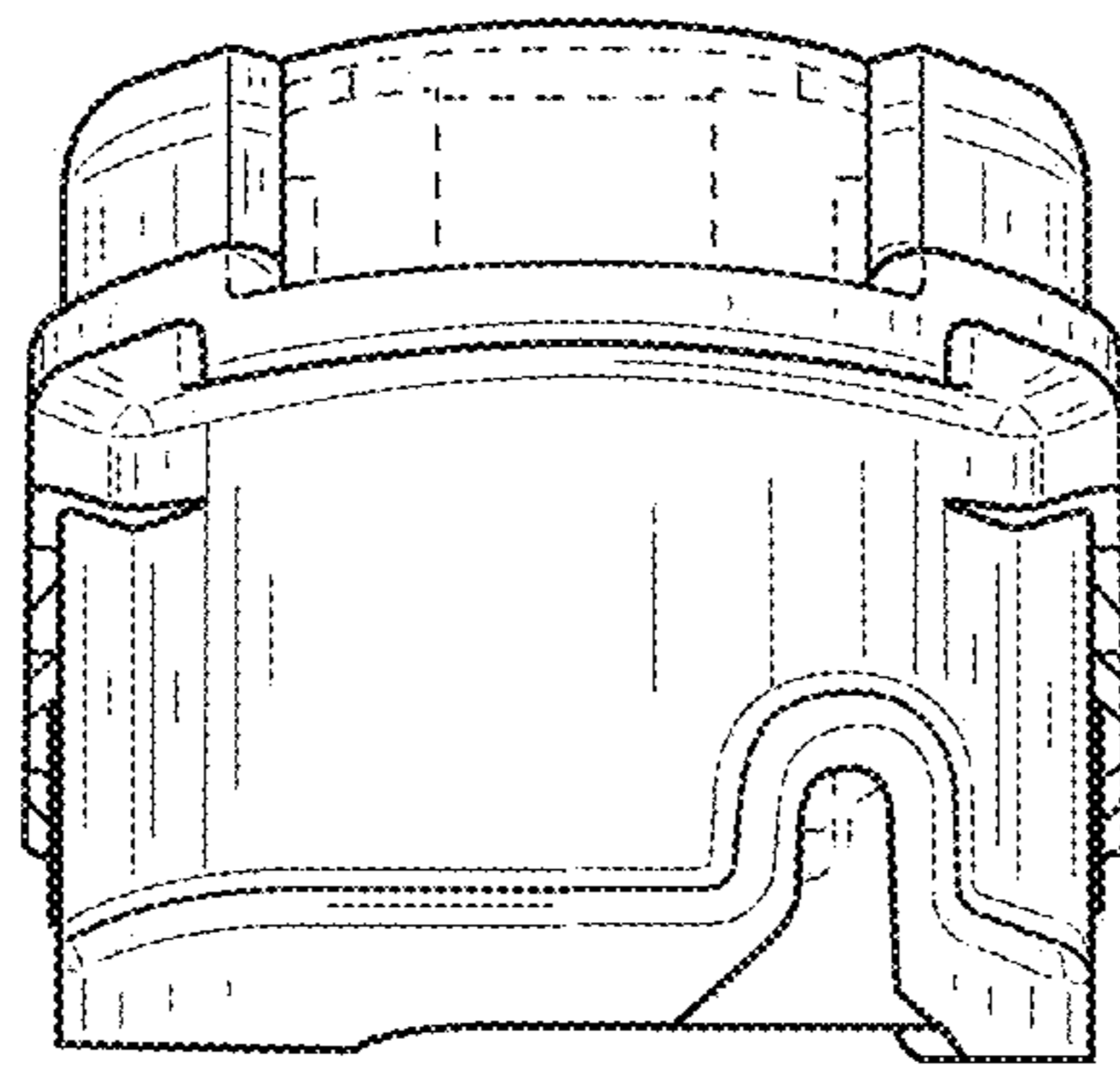


FIG. 7

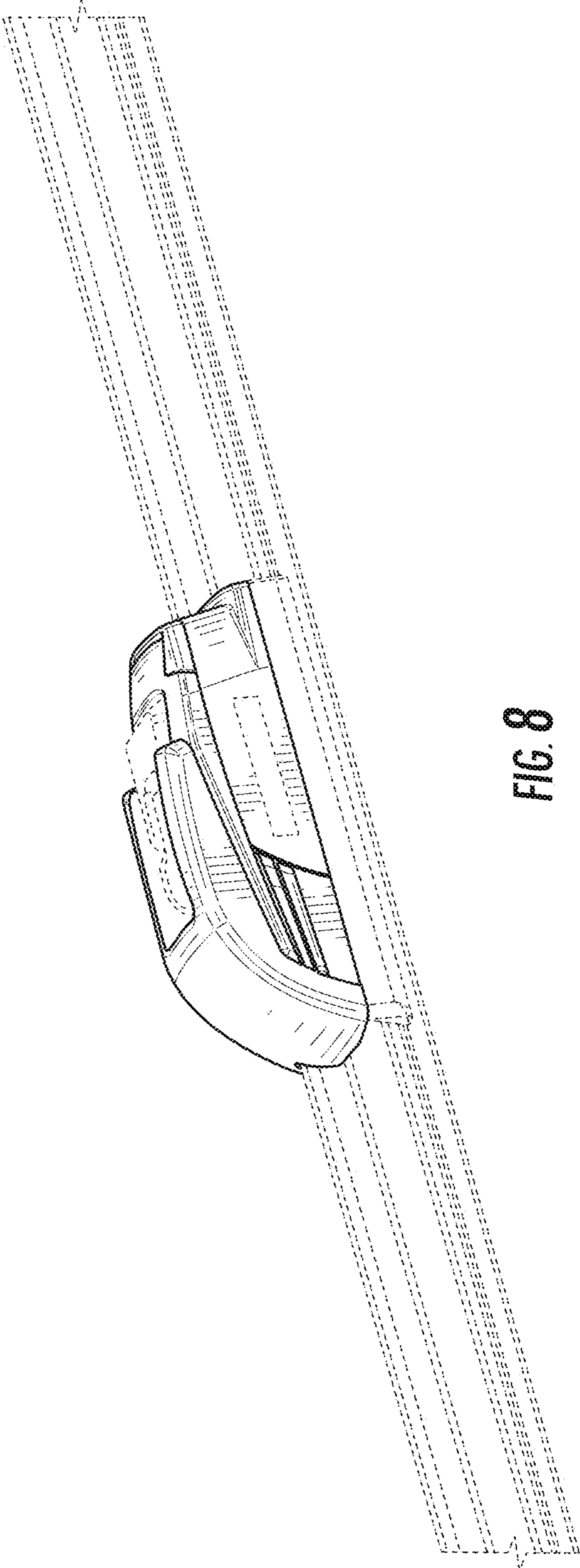


FIG. 8