



US00D872675S

(12) **United States Design Patent**
O'Neill

(10) **Patent No.:** **US D872,675 S**

(45) **Date of Patent:** **** Jan. 14, 2020**

(54) **WHEEL**

(71) Applicant: **Jaguar Land Rover Limited**, Whitley,
Coventry (GB)

(72) Inventor: **Michael O'Neill**, Coventry (GB)

(73) Assignee: **Jaguar Land Rover Limited**, Whitley,
Coventry (GB)

(**) Term: **15 Years**

(21) Appl. No.: **29/629,399**

(22) Filed: **Dec. 13, 2017**

(30) **Foreign Application Priority Data**

Jun. 15, 2017 (EM) 004048882

(51) **LOC (12) Cl.** **12-16**

(52) **U.S. Cl.**
USPC **D12/211**

(58) **Field of Classification Search**
USPC D12/204–213
CPC B60B 7/00; B60B 7/02; B60B 7/04; B60B
7/01; B60B 7/06; B60B 3/02; B60B 3/04;
B60B 3/06; B60B 3/10; B60B 1/00;
B60B 1/08; B60B 1/10; B60B 1/12
See application file for complete search history.

(56) **References Cited**

U.S. PATENT DOCUMENTS

| | | | | |
|--------------|---------|-----------|-------|---------|
| D460,037 S * | 7/2002 | Takechi | | D12/211 |
| D477,262 S * | 7/2003 | Koch | | D12/209 |
| D513,487 S * | 1/2006 | Wachtler | | D12/209 |
| D552,525 S * | 10/2007 | Celik | | D12/211 |
| D587,177 S * | 2/2009 | Scheu | | D12/209 |
| D594,397 S * | 6/2009 | Laengerer | | D12/211 |
| D644,977 S * | 9/2011 | Juergens | | D12/211 |
| D660,768 S * | 5/2012 | De Bono | | D12/211 |

| | | | | |
|--------------|---------|-----------------|-------|---------|
| D666,952 S * | 9/2012 | Pollmann | | D12/209 |
| D670,632 S * | 11/2012 | Schweizer | | D12/211 |
| D673,104 S * | 12/2012 | Lemke | | D12/211 |
| D682,764 S * | 5/2013 | Amezketta | | D12/211 |
| D682,768 S * | 5/2013 | Hale | | D12/211 |
| D689,809 S * | 9/2013 | Kim | | D12/209 |
| D691,541 S * | 10/2013 | Behmer | | D12/209 |
| D705,714 S * | 5/2014 | Hanaoka | | D12/209 |
| D715,715 S * | 10/2014 | Pollmann | | D12/209 |
| D718,206 S * | 11/2014 | Song | | D12/211 |
| D723,989 S * | 3/2015 | Morikawa | | D12/209 |
| D744,402 S * | 12/2015 | Watkin | | D12/211 |
| D747,252 S * | 1/2016 | Buckingham | | D12/211 |
| D749,029 S * | 2/2016 | Wheel | | D12/211 |
| D754,051 S * | 4/2016 | Baum | | D12/211 |
| D761,182 S * | 7/2016 | Valencia Pollex | | D12/211 |
| D767,466 S * | 9/2016 | Juergens | | D12/211 |
| D769,169 S * | 10/2016 | Kumeya | | D12/211 |
| D784,898 S * | 4/2017 | Setter | | D12/211 |

(Continued)

Primary Examiner — Stacia A Cadmus

(74) *Attorney, Agent, or Firm* — Wood Herron & Evans
LLP

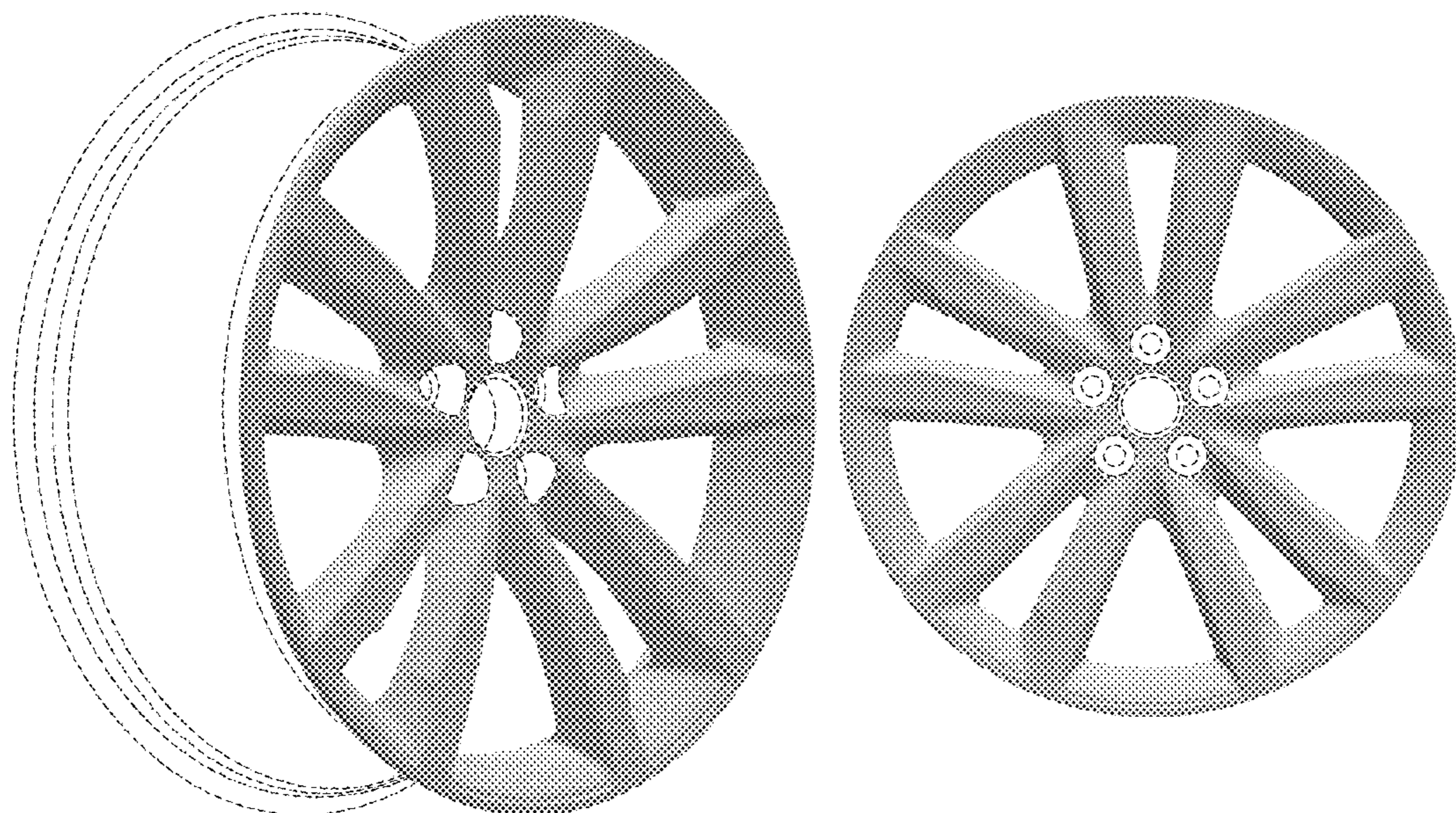
(57) **CLAIM**

The ornamental design for a wheel, as shown and described.

DESCRIPTION

FIG. 1 is a front left perspective view of a wheel for a vehicle according to the present invention;
FIG. 2 is a front view of the wheel shown in FIG. 1;
FIG. 3 is a left side view thereof, the right side being a mirror image thereof;
FIG. 4 is a front left perspective view of a wheel according to a second embodiment of the present invention.
FIG. 5 is a front view of FIG. 4; and,
FIG. 6 is a left side view of FIG. 4.
The broken lines show environmental structure and form no part of the claimed invention.

1 Claim, 4 Drawing Sheets



(56)

References Cited

U.S. PATENT DOCUMENTS

| | | | |
|--------------|---------|-----------------------|---------|
| D787,409 S * | 5/2017 | Smith | D12/211 |
| D794,529 S * | 8/2017 | Valencia Pollex | D12/211 |
| D801,902 S * | 11/2017 | Pena | D12/211 |
| D801,905 S * | 11/2017 | Rueckheim | D12/211 |
| D826,824 S * | 8/2018 | Platto | D12/209 |
| D844,529 S * | 4/2019 | Lemke | D12/209 |
| D849,656 S * | 5/2019 | Peat | D12/211 |
| D849,658 S * | 5/2019 | Licklitter | D12/211 |
| D857,597 S * | 8/2019 | Muto | D12/211 |
| D858,402 S * | 9/2019 | Betancourt | D12/209 |
| D858,413 S * | 9/2019 | Woodhouse | D12/211 |
| D858,416 S * | 9/2019 | Dewitt | D12/211 |

* cited by examiner

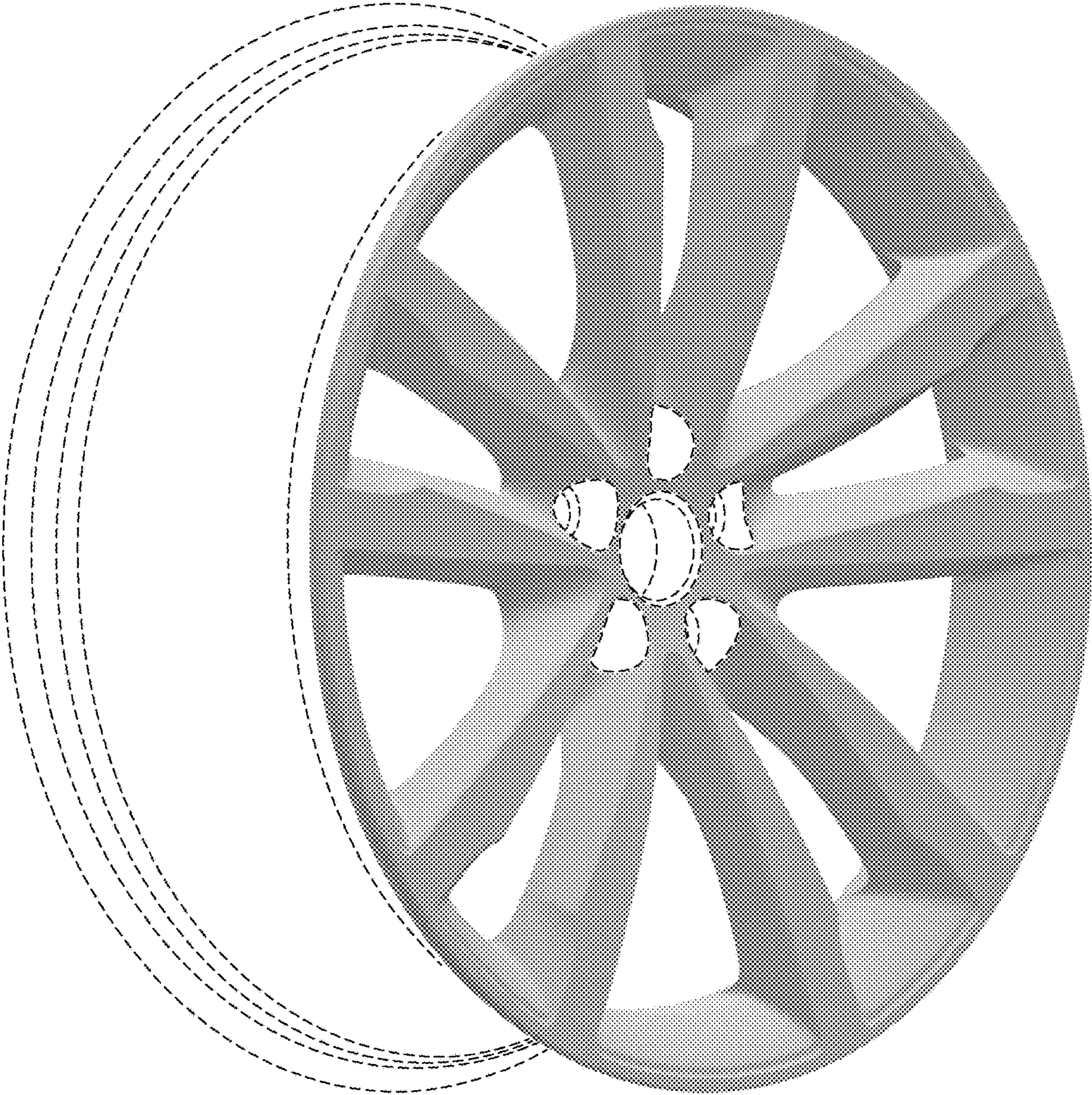


FIG. 1

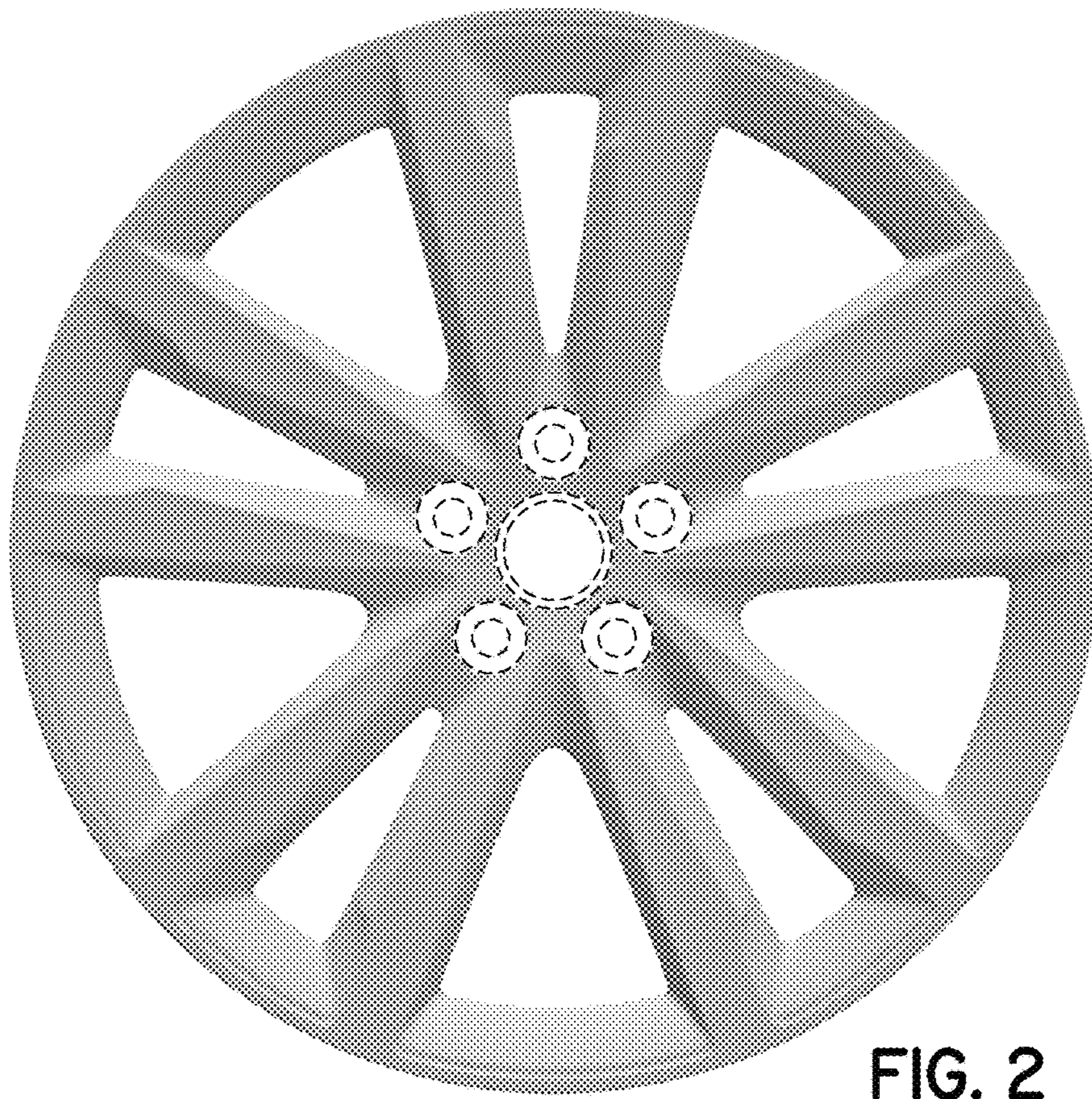


FIG. 2

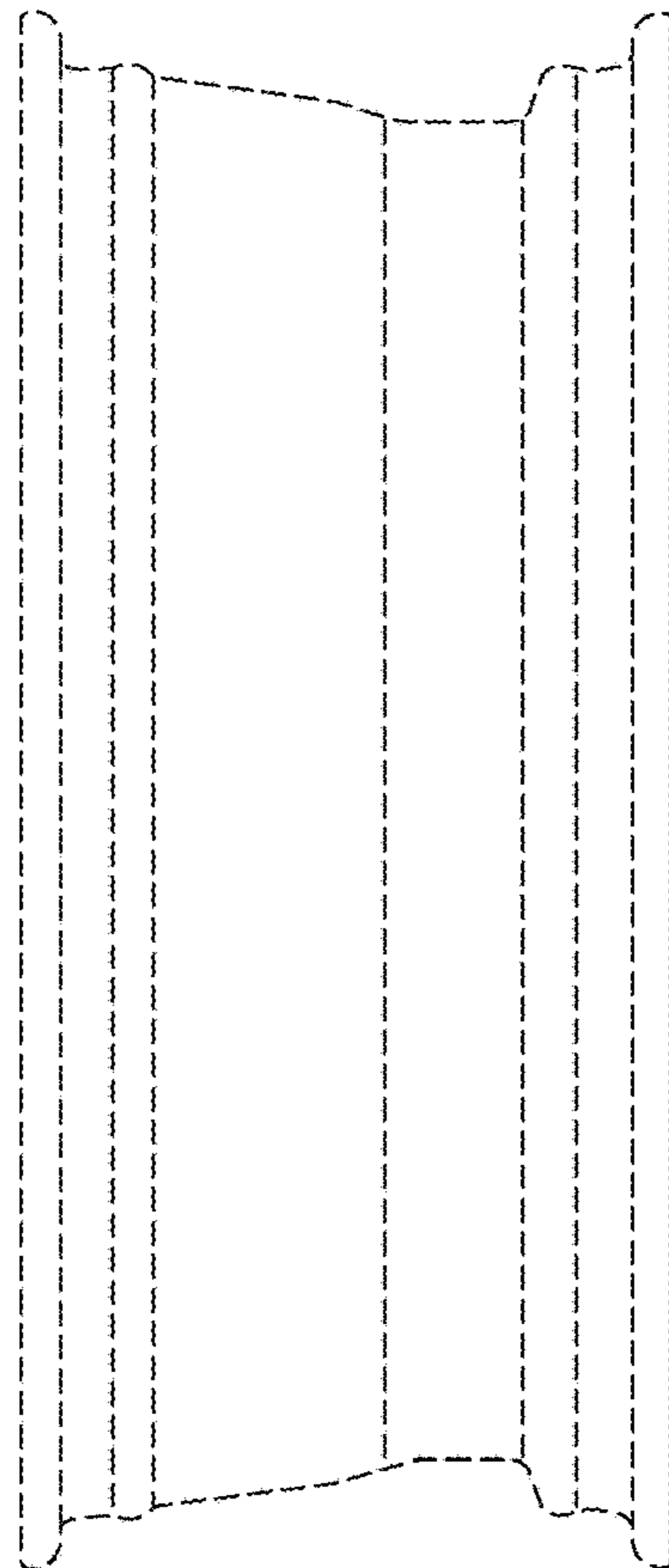


FIG. 3

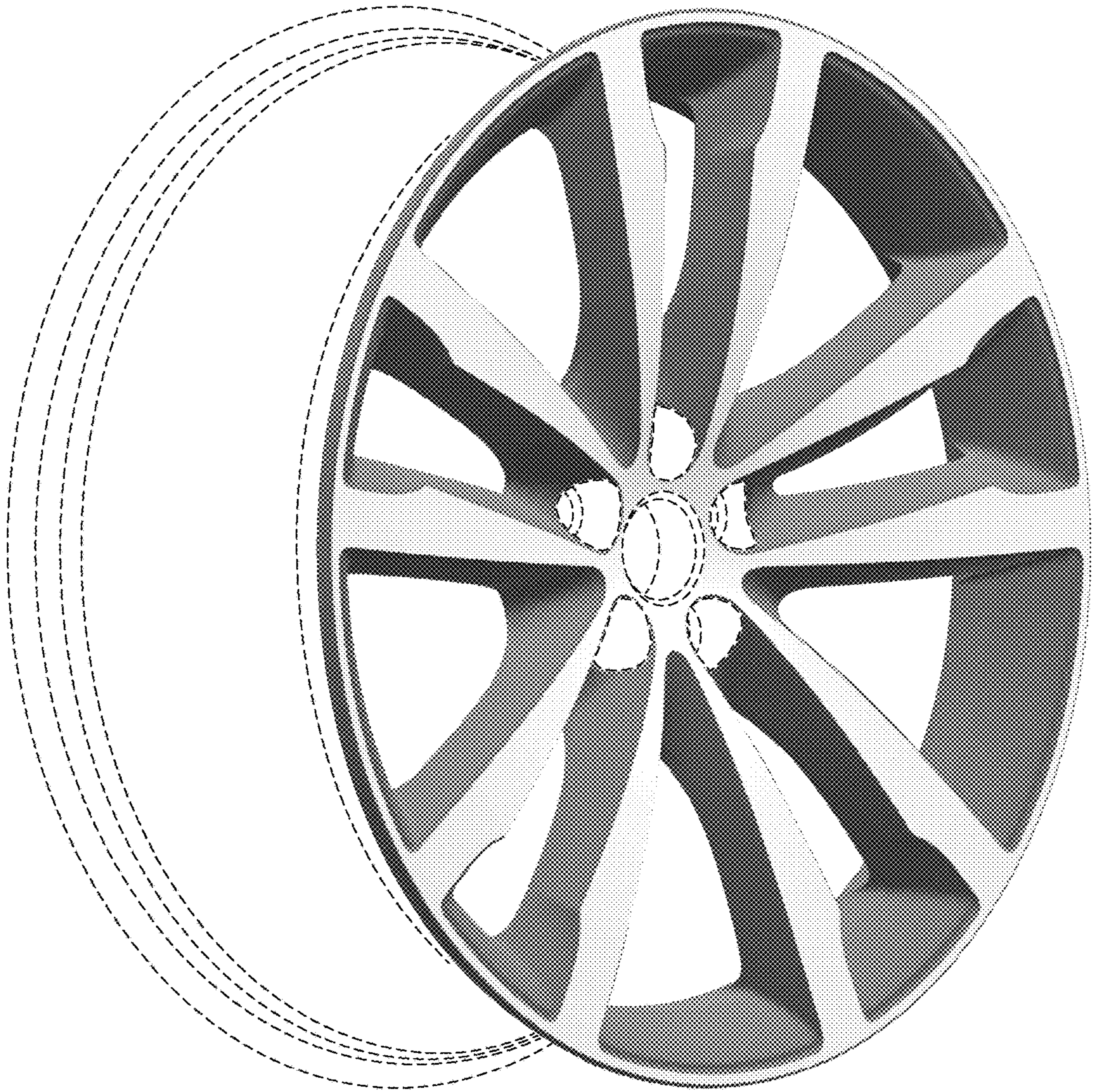


FIG. 4

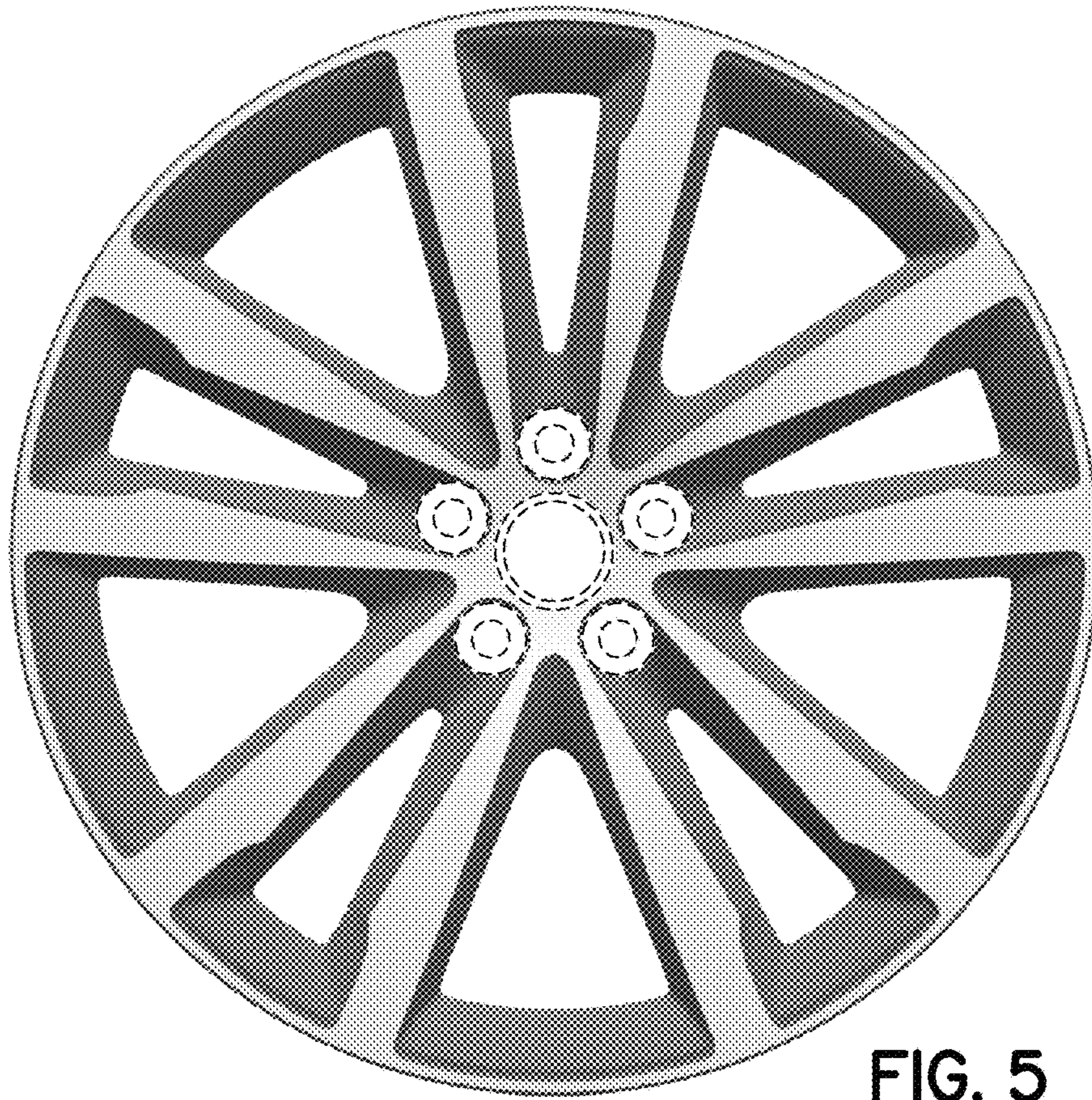


FIG. 5

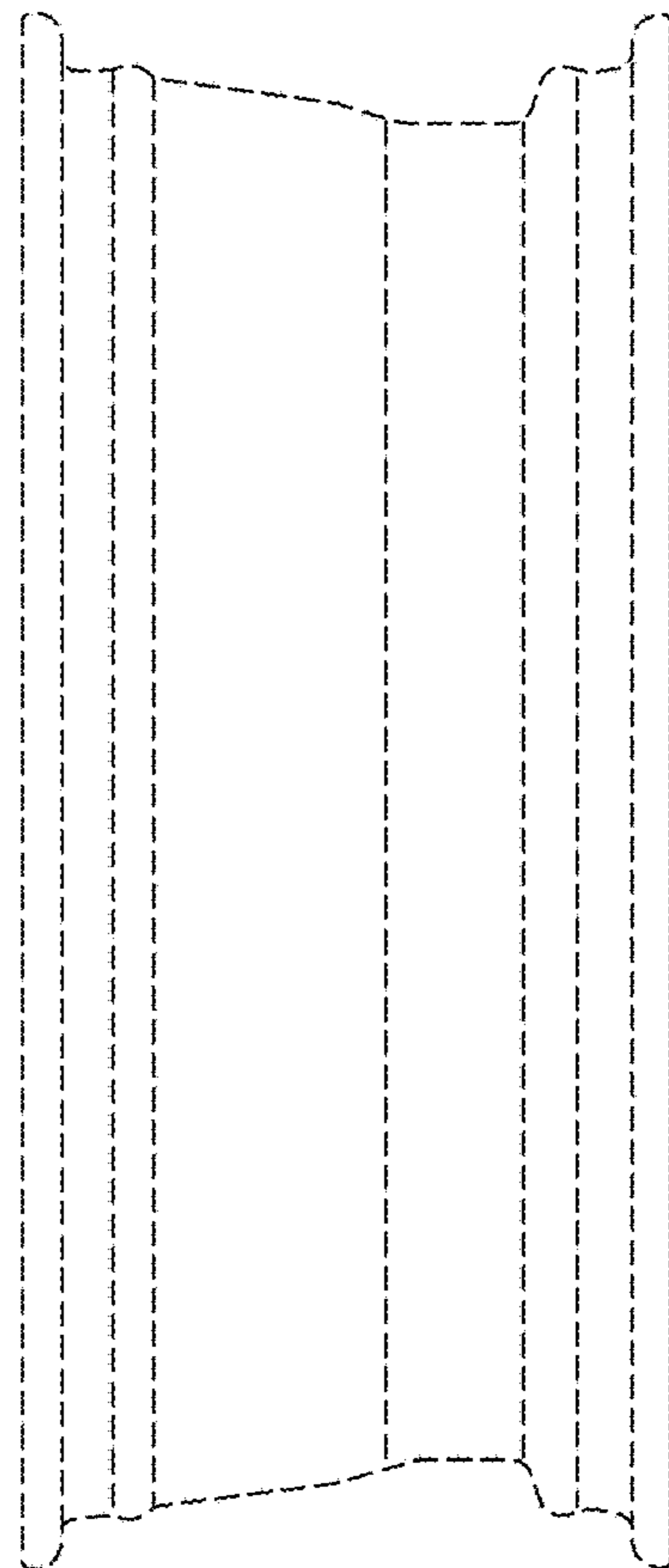


FIG. 6