



US00D872674S

(12) **United States Design Patent**  
**Beaven et al.**

(10) **Patent No.:** **US D872,674 S**

(45) **Date of Patent:** **\*\* Jan. 14, 2020**

(54) **WHEEL**

(71) Applicant: **Jaguar Land Rover Limited**, Whitley,  
Coventry (GB)

(72) Inventors: **Matthew Beaven**, Coventry (GB);  
**Simon Tovey**, Coventry (GB)

(73) Assignee: **Jaguar Land Rover Limited**, Whitley,  
Coventry (GB)

(\*\*) Term: **15 Years**

(21) Appl. No.: **29/670,866**

(22) Filed: **Nov. 20, 2018**

**Related U.S. Application Data**

(62) Division of application No. 29/600,749, filed on Apr.  
14, 2017, now Pat. No. Des. 837,714.

(30) **Foreign Application Priority Data**

Oct. 17, 2016 (EM) ..... 003421965-0004

(51) **LOC (12) Cl.** ..... **12-16**

(52) **U.S. Cl.**  
USPC ..... **D12/209**

(58) **Field of Classification Search**

USPC ..... D12/204–213; D21/533, 561, 563  
CPC .... B60B 7/00; B60B 7/02; B60B 7/04; B60B  
7/06; B60B 3/02; B60B 3/04; B60B 3/06;  
B60B 3/10; B60B 1/00; B60B 1/08;  
B60B 1/10; B60B 1/12

See application file for complete search history.

(56) **References Cited**

**U.S. PATENT DOCUMENTS**

D581,337 S \* 11/2008 Juergens ..... D12/209  
D631,812 S \* 2/2011 Juergens ..... D12/209

D631,814 S \* 2/2011 Baum ..... D12/209  
D671,475 S \* 11/2012 Juergens ..... D12/209  
D740,197 S \* 10/2015 Valencia ..... D12/209  
D744,401 S \* 12/2015 Back ..... D12/209  
D757,625 S \* 5/2016 Hu ..... D12/209  
D776,595 S \* 1/2017 Perini ..... D12/209  
D783,492 S \* 4/2017 Valencia ..... D12/209  
D823,432 S \* 7/2018 Oh ..... D23/209

(Continued)

*Primary Examiner* — Sheryl Lane

*Assistant Examiner* — Calvin E Vansant

(74) *Attorney, Agent, or Firm* — Wood Herron & Evans  
LLP

(57) **CLAIM**

The ornamental design for a wheel, as shown and described.

**DESCRIPTION**

FIG. 1 is a front left perspective view of a wheel for a vehicle  
according to the present invention.

FIG. 2 is a front right perspective view of the wheel shown  
in FIG. 1.

FIG. 3 is a front view thereof.

FIG. 4 is a left side view thereof, the right side view being  
a mirror image thereof.

FIG. 5 is a rear view thereof.

FIG. 6 is a rear right perspective view thereof.

FIG. 7 is a rear left perspective view thereof.

FIG. 8 is a front left perspective view of a wheel for a vehicle  
according to a second embodiment of the present invention.

FIG. 9 is a front right perspective view of the wheel shown  
in FIG. 8.

FIG. 10 is a front view thereof.

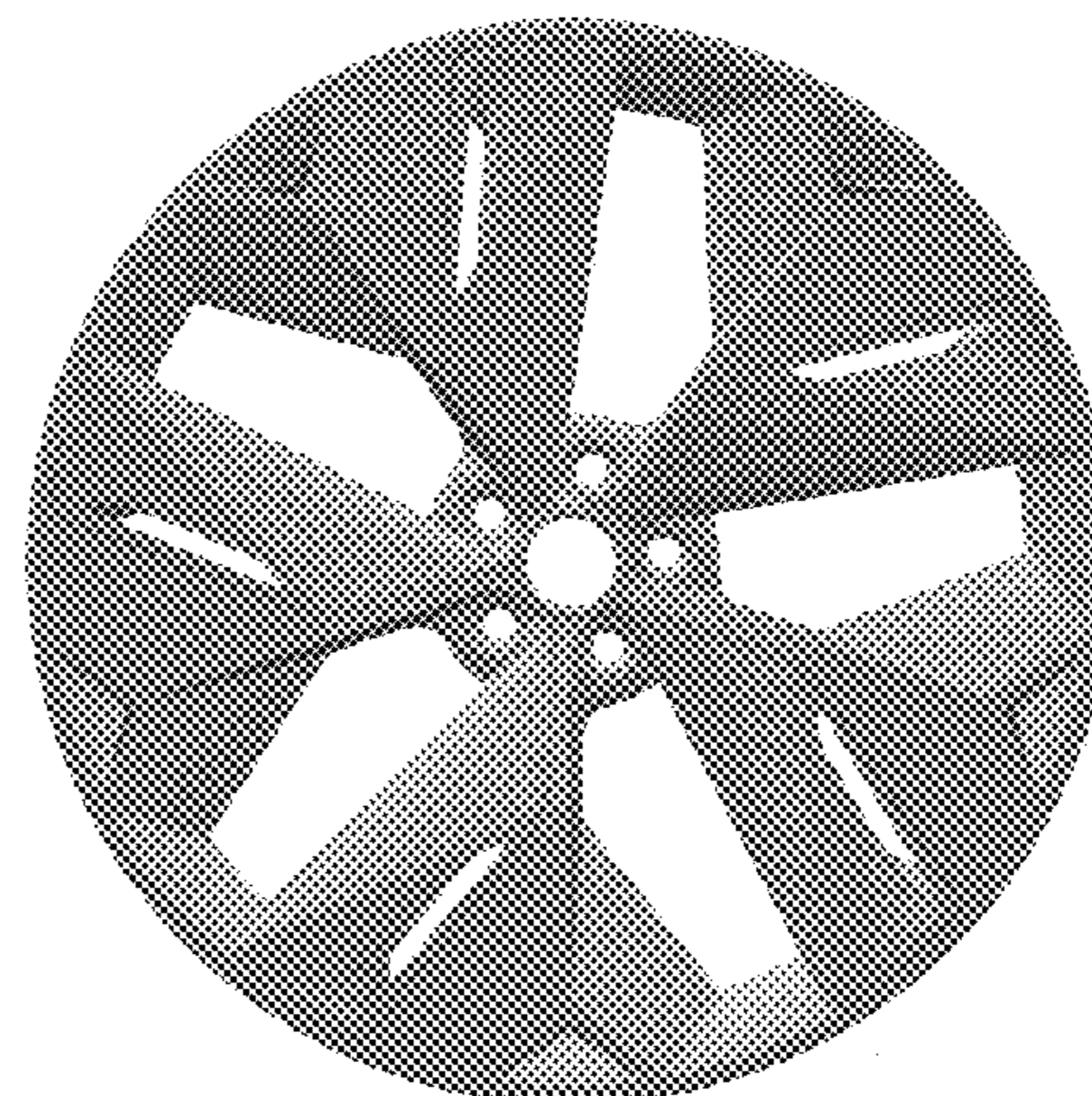
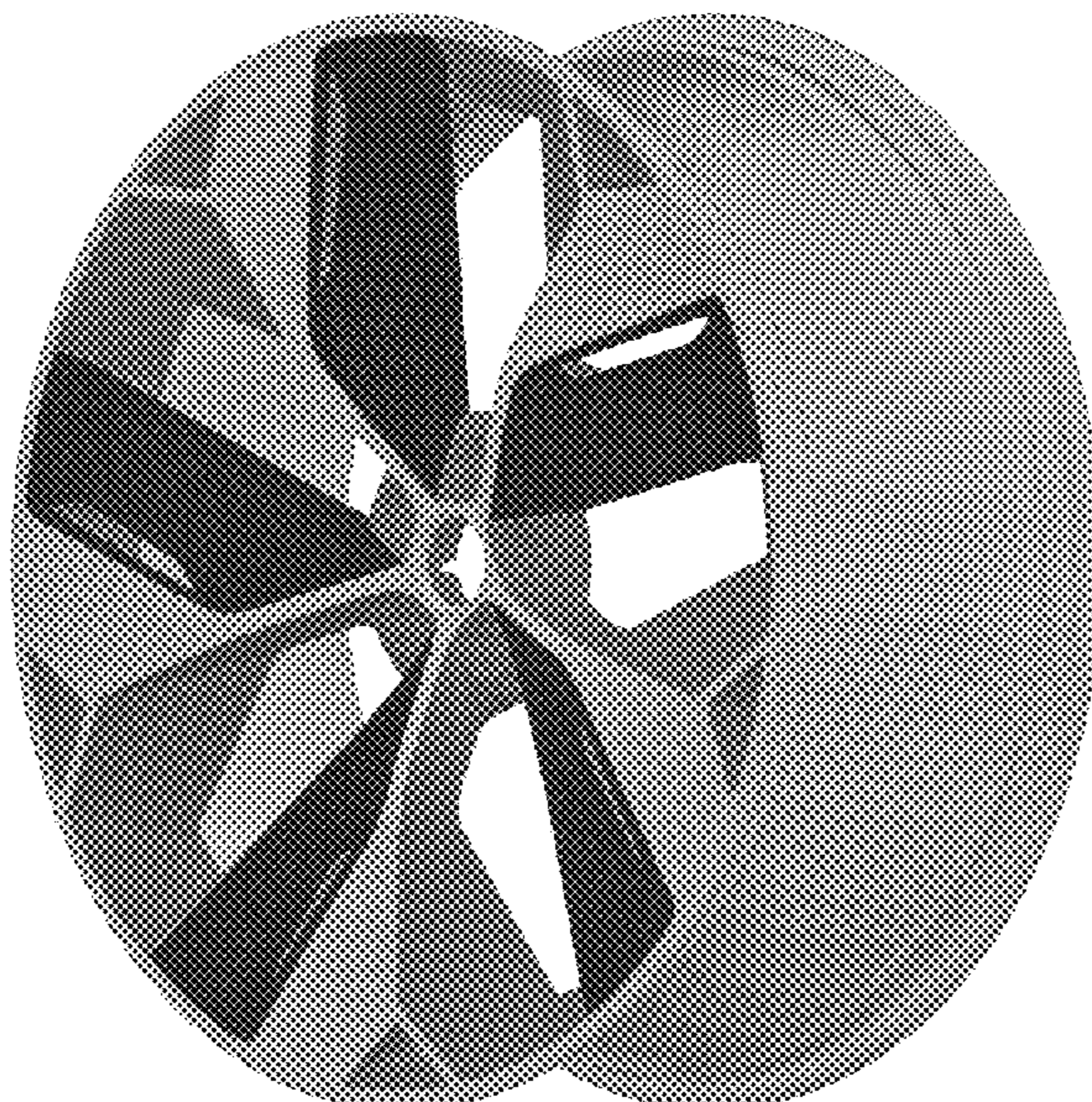
FIG. 11 is a left side view thereof, the right side view being  
a mirror image thereof.

FIG. 12 is a rear view thereof.

FIG. 13 is a rear right perspective view thereof; and,

FIG. 14 is a rear left perspective view thereof.

**1 Claim, 10 Drawing Sheets**



(56)

**References Cited**

U.S. PATENT DOCUMENTS

D838,652 S \* 1/2019 Kato ..... D12/209  
D839,141 S \* 1/2019 Beaven ..... D12/164

\* cited by examiner



FIG. 1



FIG. 2

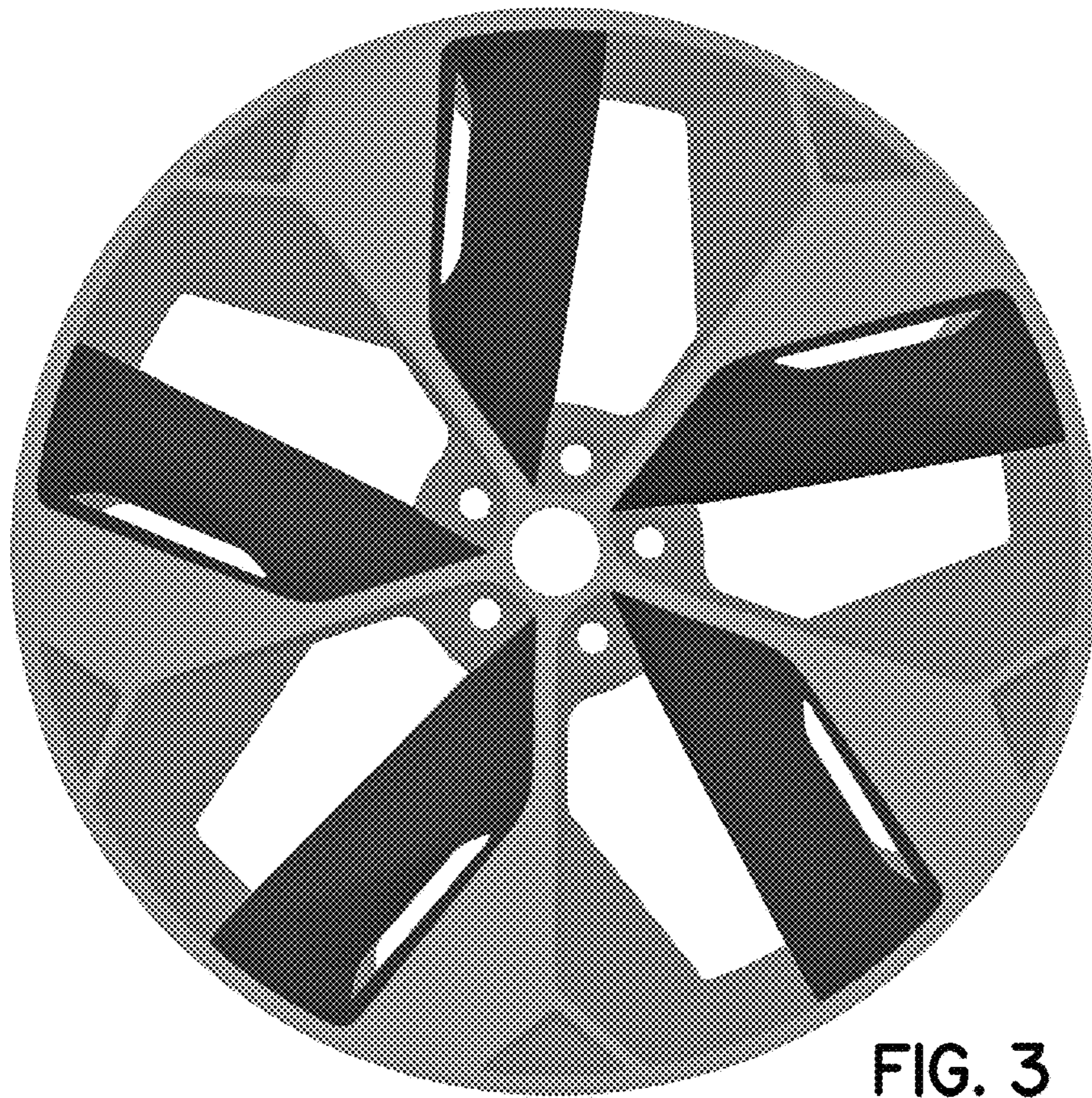


FIG. 3

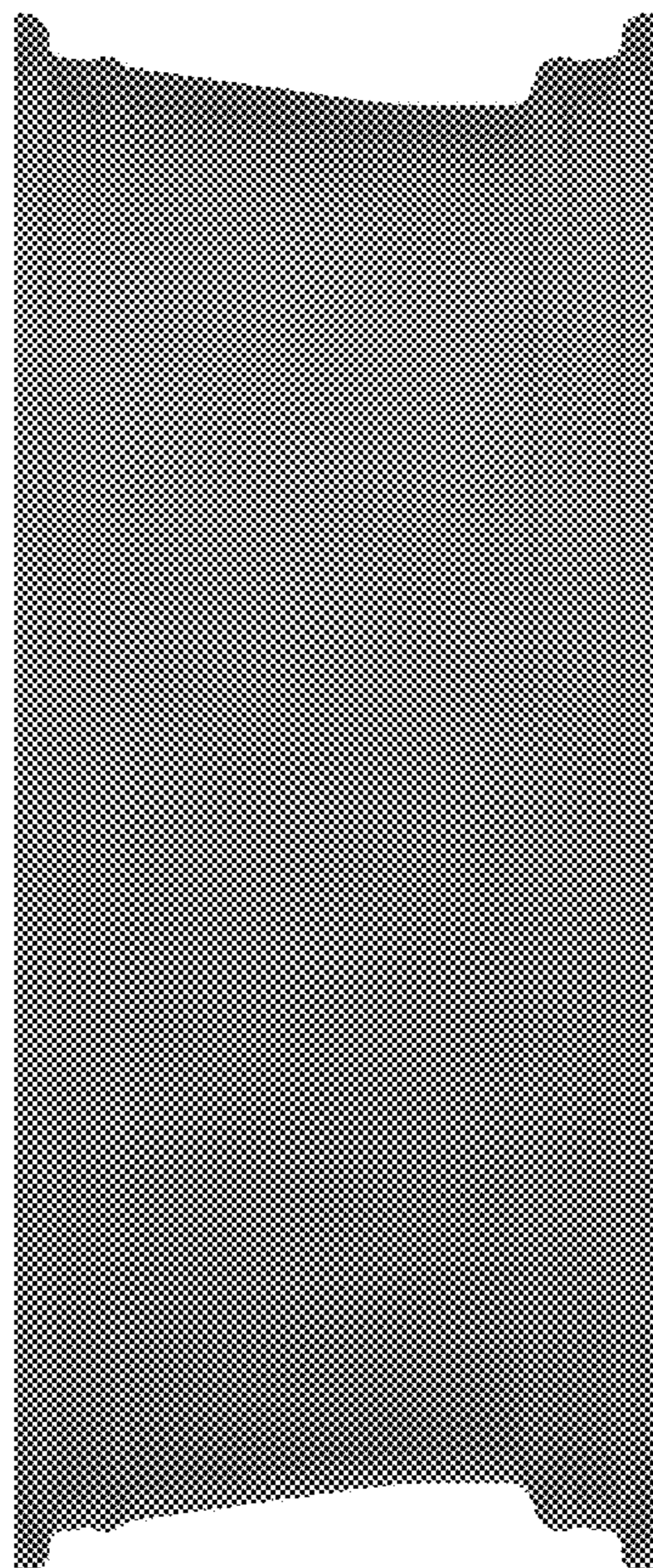


FIG. 4



FIG. 5



FIG. 6



FIG. 7



FIG. 8





FIG. 9

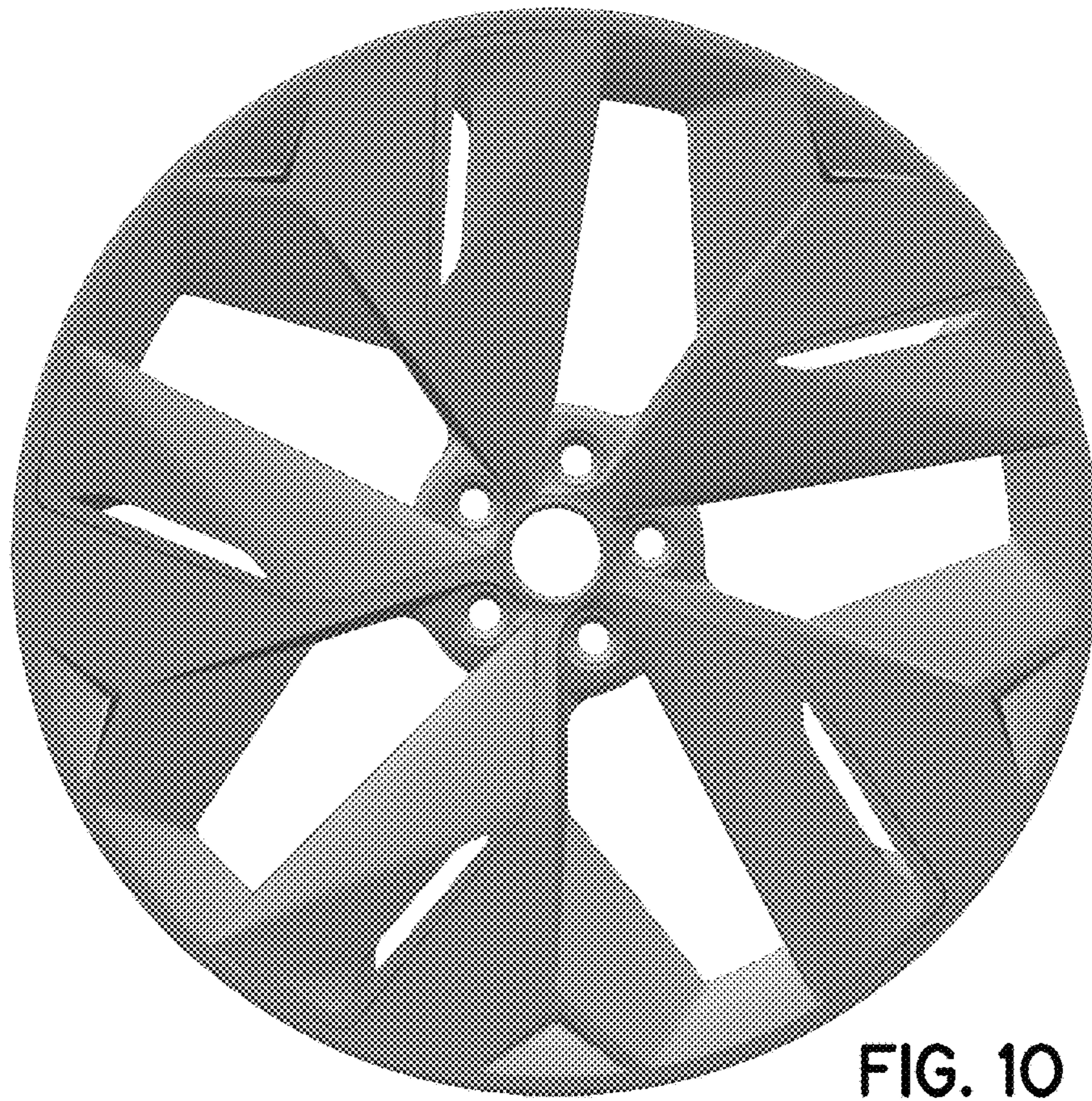


FIG. 10

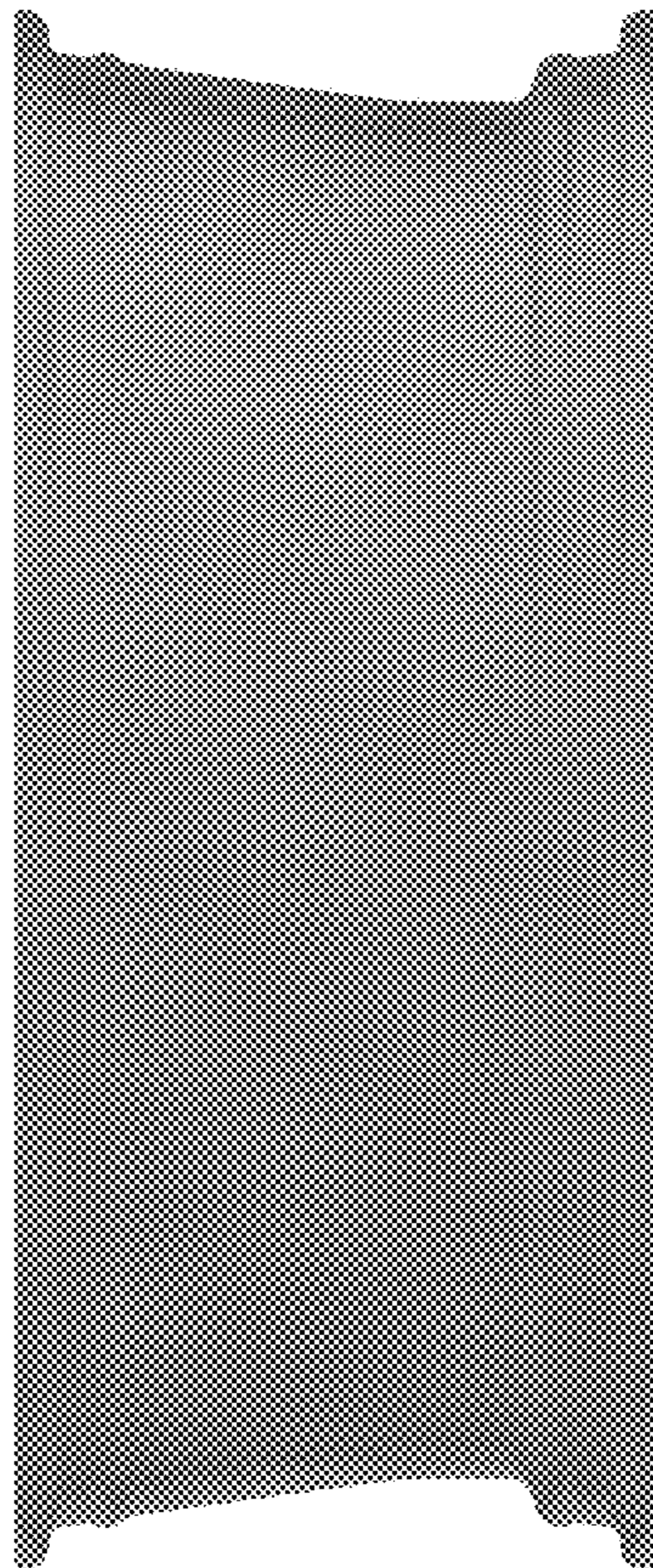


FIG. 11



FIG. 12



FIG. 13

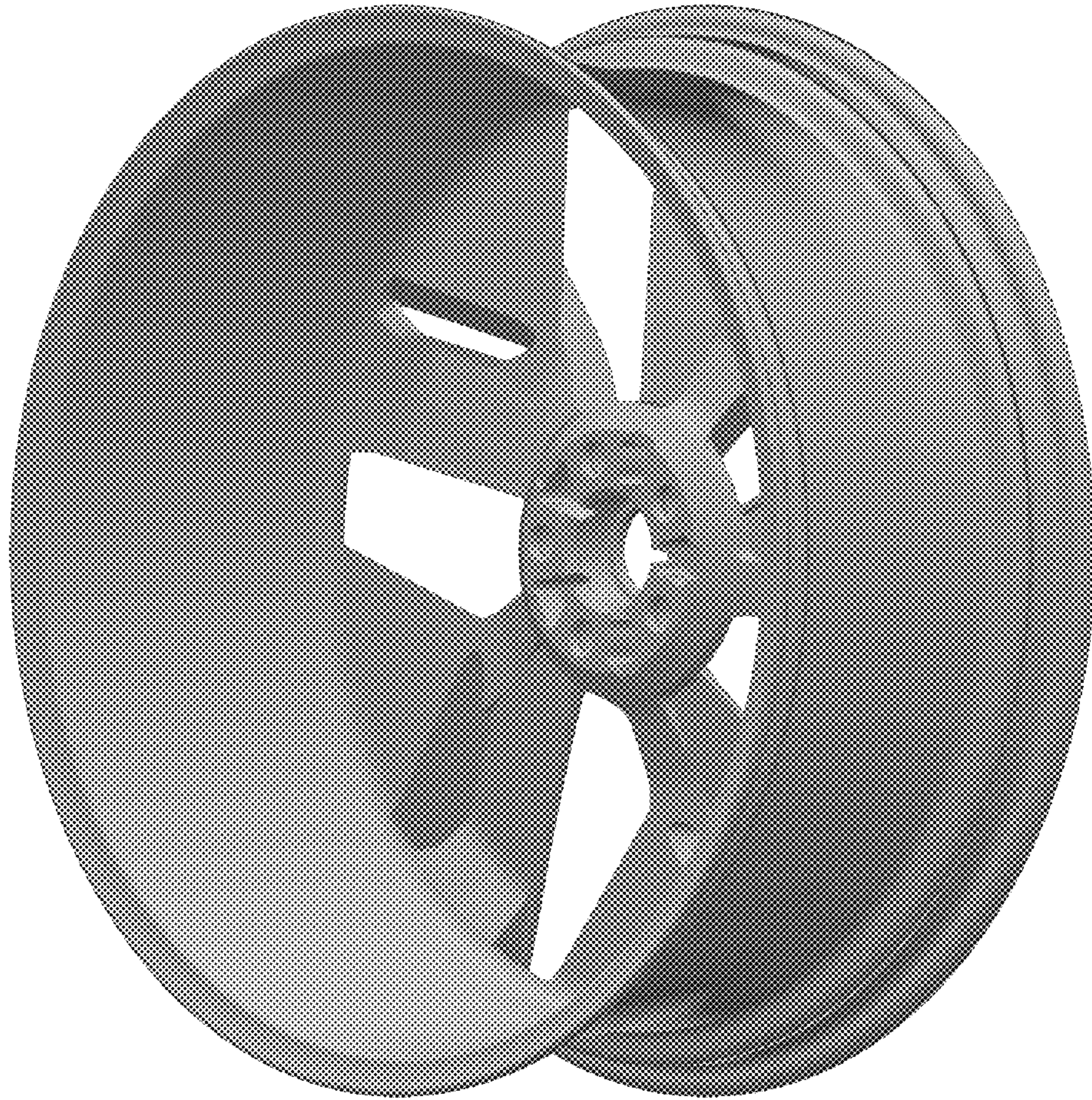


FIG. 14