



US00D872671S

(12) **United States Design Patent**  
**Patel**

(10) **Patent No.:** **US D872,671 S**

(45) **Date of Patent:** **\*\* Jan. 14, 2020**

(54) **WHEEL**

(71) Applicant: **Jaguar Land Rover Limited**, Whitley,  
Coventry (GB)

(72) Inventor: **Paven Patel**, Coventry (GB)

(73) Assignee: **Jaguar Land Rover Limited**, Whitley,  
Coventry (GB)

(\*\*) Term: **15 Years**

(21) Appl. No.: **29/629,425**

(22) Filed: **Dec. 13, 2017**

(30) **Foreign Application Priority Data**

Jun. 15, 2017 (EM) ..... 004048882

(51) **LOC (12) Cl.** ..... **12-16**

(52) **U.S. Cl.**  
USPC ..... **D12/209; D12/211**

(58) **Field of Classification Search**

USPC ..... D12/204–213  
CPC .... B60B 7/00; B60B 7/02; B60B 7/04; B60B  
7/01; B60B 7/06; B60B 3/02; B60B 3/06;  
B60B 3/10; B60B 1/00; B60B 1/08;  
B60B 1/10; B60B 1/12

See application file for complete search history.

(56) **References Cited**

**U.S. PATENT DOCUMENTS**

D412,693 S \* 8/1999 Kulla ..... D12/211  
D421,590 S \* 3/2000 Sacco ..... D12/209  
D439,212 S \* 3/2001 Neeper ..... D12/211  
D466,852 S \* 12/2002 Pfeiffer ..... D12/211  
D503,371 S \* 3/2005 Boyer ..... D12/211  
D503,915 S \* 4/2005 Markefka ..... D12/209  
D505,903 S \* 6/2005 Nordmann ..... D12/209  
D506,173 S \* 6/2005 Pfeiffer ..... D12/211

D508,671 S \* 8/2005 Baum ..... D12/209  
D513,221 S \* 12/2005 Pfeiffer ..... D12/211  
D527,325 S \* 8/2006 Nagashima ..... D12/209  
D527,329 S \* 8/2006 Pfeiffer ..... D12/211  
D536,294 S \* 2/2007 Laengerer ..... D12/211  
D589,865 S \* 4/2009 Jung ..... D12/209  
D593,921 S \* 6/2009 Miyazawa ..... D12/211  
D595,201 S \* 6/2009 Antoniadis ..... D12/211  
D597,013 S \* 7/2009 Chung ..... D12/211  
D669,011 S \* 10/2012 Chung ..... D12/211  
D679,645 S \* 4/2013 Chung ..... D12/209  
D685,708 S \* 7/2013 Gallert ..... D12/209  
D694,693 S \* 12/2013 Behmer ..... D12/209  
D697,468 S \* 1/2014 Holstein ..... D12/211  
D716,712 S \* 11/2014 Lemke ..... D12/211  
D744,404 S \* 12/2015 Garbas ..... D12/211  
D747,250 S \* 1/2016 Bildhaeuser ..... D12/209  
D763,159 S \* 8/2016 Valencia Pollex ..... D12/209  
D766,806 S \* 9/2016 Tannen ..... D12/211  
D770,959 S \* 11/2016 Chung ..... D12/211  
D772,131 S \* 11/2016 Wheel ..... D12/209  
D774,439 S \* 12/2016 Gallert ..... D12/211  
D775,578 S \* 1/2017 Johnson ..... D12/211  
D779,408 S \* 2/2017 Chung ..... D12/211

(Continued)

*Primary Examiner* — Stacia A Cadmus

(74) *Attorney, Agent, or Firm* — Wood Herron & Evans  
LLP

(57) **CLAIM**

The ornamental design for a wheel, as shown and described.

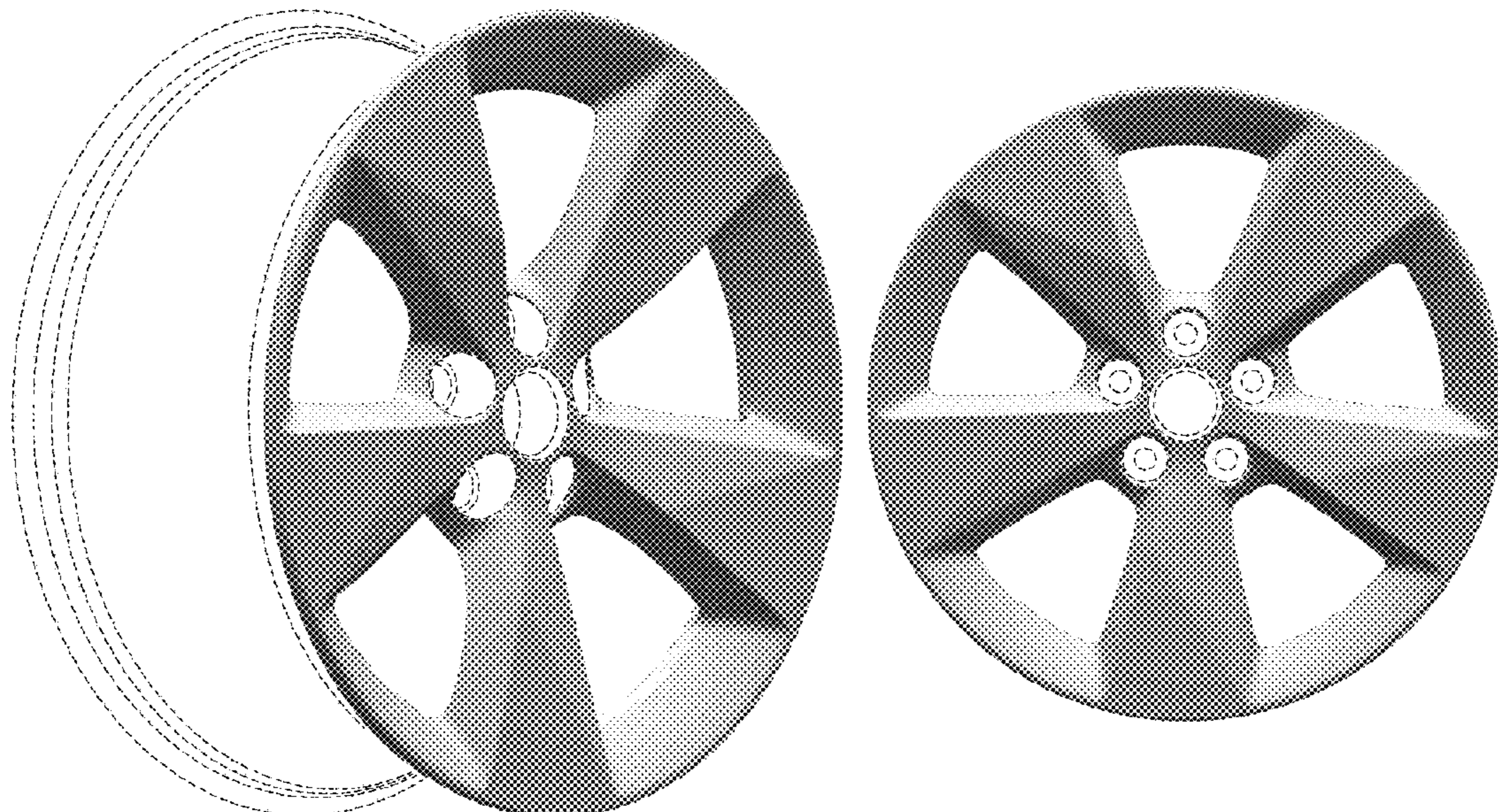
**DESCRIPTION**

FIG. 1 is a front left perspective view of a wheel for a vehicle according to the present invention.

FIG. 2 is a front view of the wheel shown in FIG. 1; and, FIG. 3 is a left side view thereof, the right side being a mirror image thereof.

In the drawings the broken lines depict environmental subject matter and form no part of the claimed design.

**1 Claim, 2 Drawing Sheets**



(56)

**References Cited**

U.S. PATENT DOCUMENTS

D783,493 S *	4/2017	Hubers .....	D12/209
D798,216 S *	9/2017	Snyder .....	D12/211
D822,571 S *	7/2018	Park .....	D12/209
D832,179 S *	10/2018	Behmer .....	D12/211
D833,944 S *	11/2018	Gallert .....	D12/209
D838,225 S *	1/2019	Valencia Pollex .....	D12/209
D844,528 S *	4/2019	Wheel .....	D12/209
D856,892 S *	8/2019	Zhao .....	D12/209

\* cited by examiner

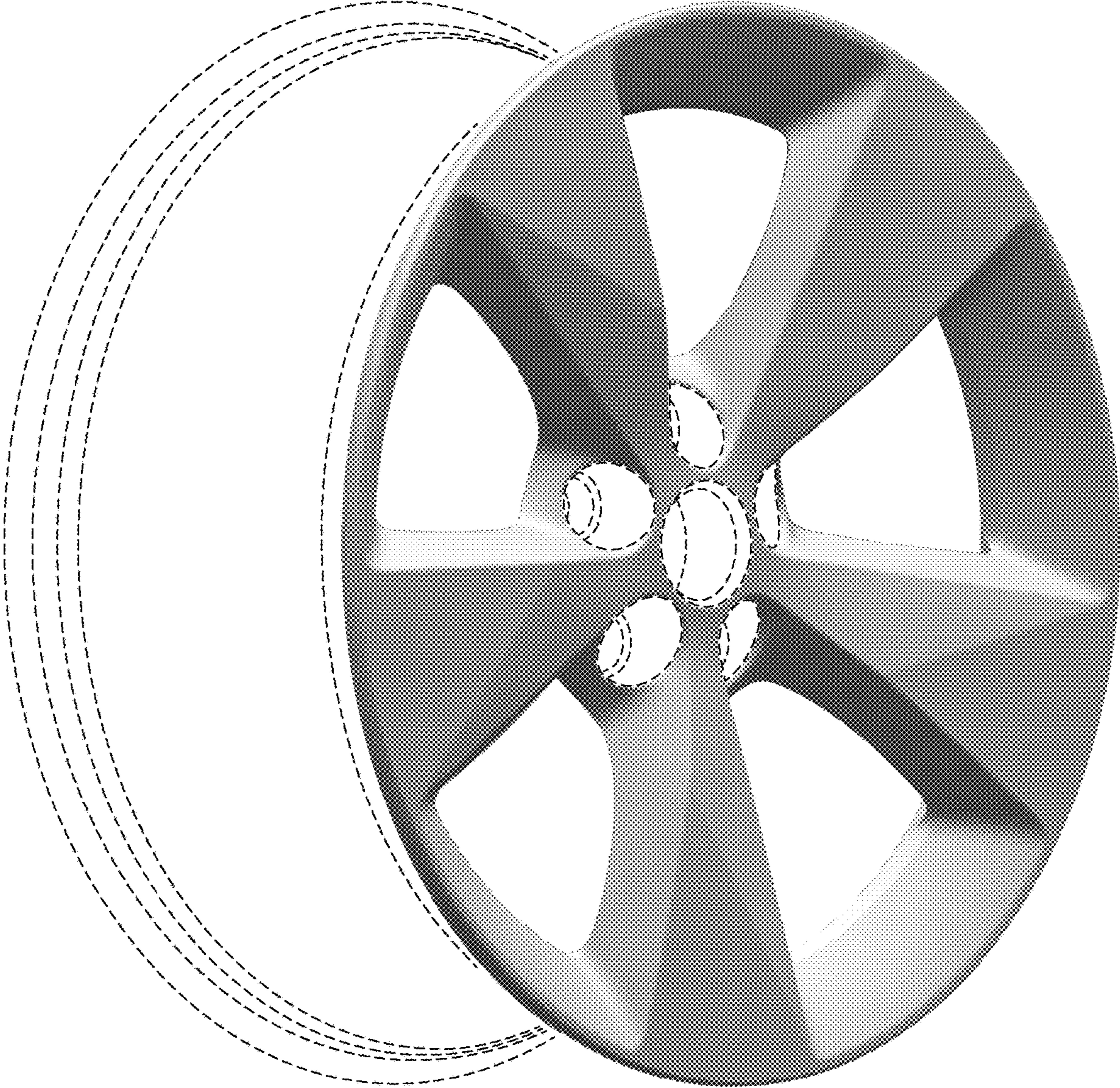


FIG. 1

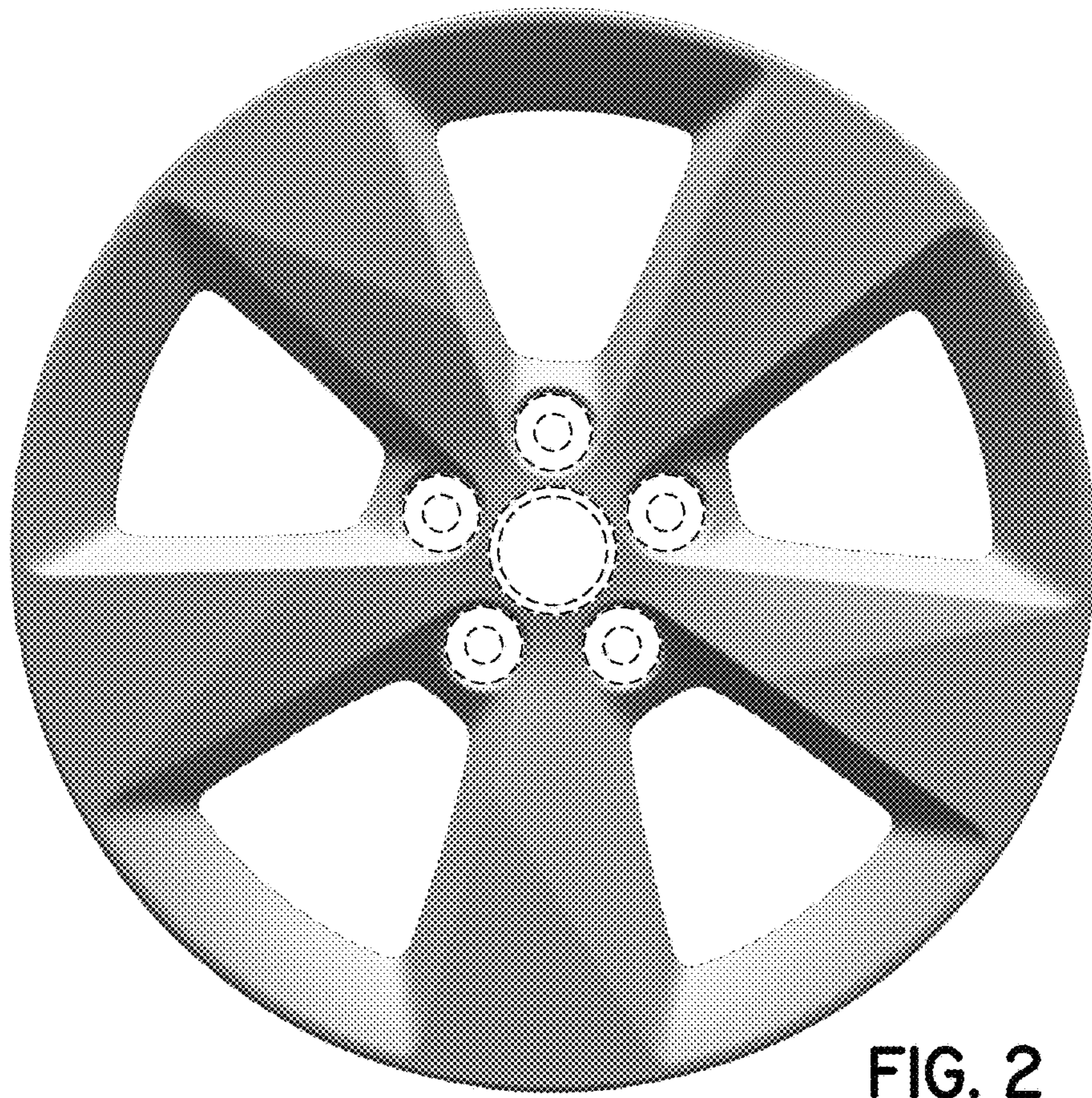


FIG. 2

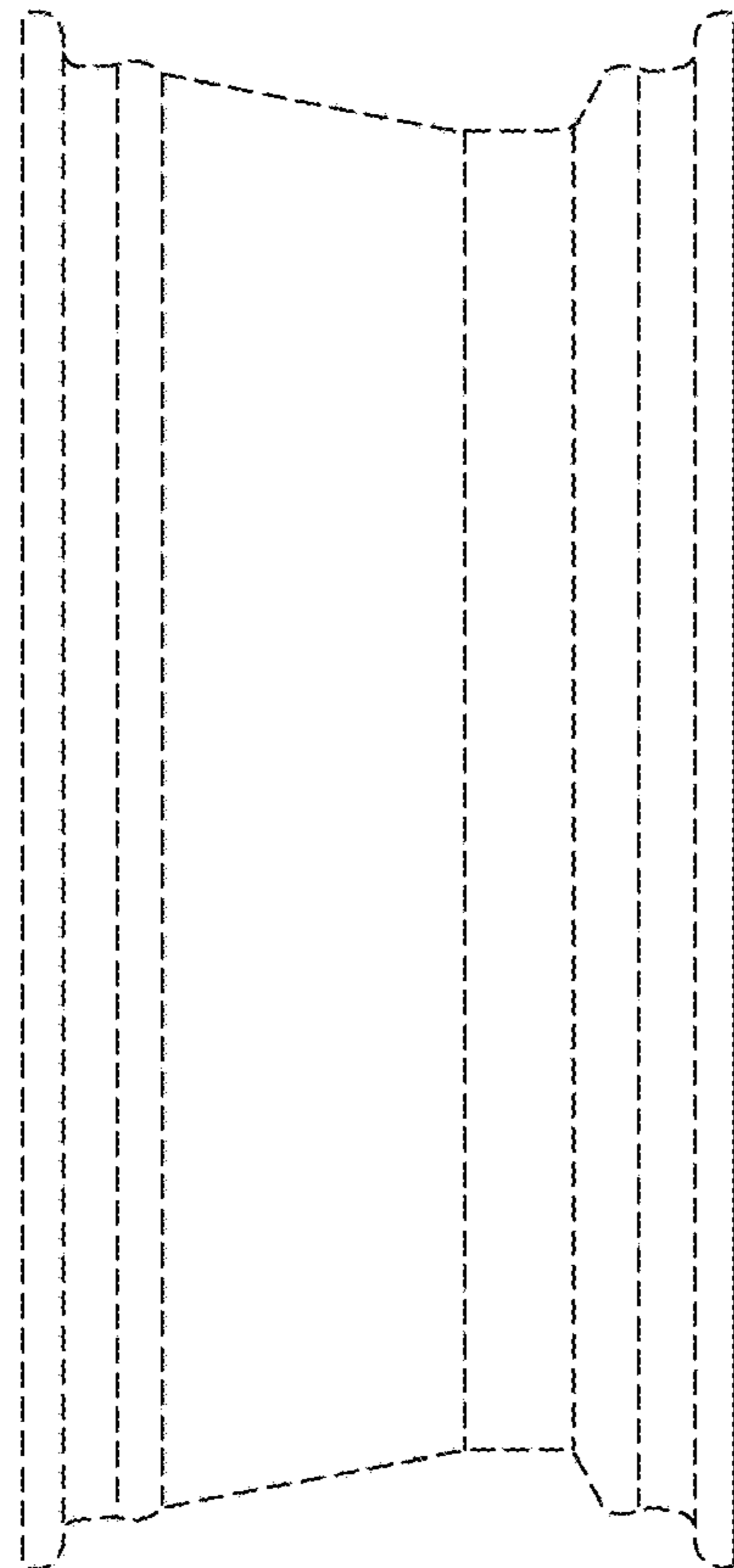


FIG. 3