



US00D872670S

(12) **United States Design Patent**
Yeh

(10) **Patent No.:** **US D872,670 S**

(45) **Date of Patent:** **** Jan. 14, 2020**

- (54) **WHEEL FRONT FACE**
- (71) Applicant: **Bruce Yeh**, Chino Hills, CA (US)
- (72) Inventor: **Bruce Yeh**, Chino Hills, CA (US)
- (73) Assignee: **WHEEL GROUP HOLDINGS, LLC**,
Ontario (CA)
- (**) Term: **15 Years**
- (21) Appl. No.: **29/628,198**
- (22) Filed: **Dec. 1, 2017**
- (51) **LOC (12) Cl.** **12-16**
- (52) **U.S. Cl.**
USPC **D12/209**
- (58) **Field of Classification Search**
USPC D12/204–213; D21/533, 551, 563
See application file for complete search history.

D676,794 S *	2/2013	Hilpert	D12/209
D688,190 S *	8/2013	Hodges	D12/211
D695,186 S *	12/2013	Pollmann	D12/209
D701,813 S *	4/2014	Kern	D12/211
D717,711 S *	11/2014	Kern	D12/211
D726,089 S *	4/2015	Hodges	D12/211
D790,428 S *	6/2017	Zhao	D12/211
D793,324 S *	8/2017	Valencia Pollex	D12/211
D806,629 S *	1/2018	Bridan	D12/211
D808,327 S *	1/2018	Chung	D12/211
D818,411 S *	5/2018	Kawaguchi	D12/209
D826,126 S *	8/2018	Valencia Pollex	D12/209
D828,270 S *	9/2018	Aslam	D12/211

* cited by examiner

Primary Examiner — Sheryl Lane

(57) **CLAIM**

The ornamental design for a wheel front face, as shown and described.

DESCRIPTION

FIG. 1 is a perspective view of a wheel front face in accordance with the present invention.

FIG. 2 is a front view of the wheel front face of FIG. 1; and, FIG. 3 is a side view of the wheel front face of FIG. 1.

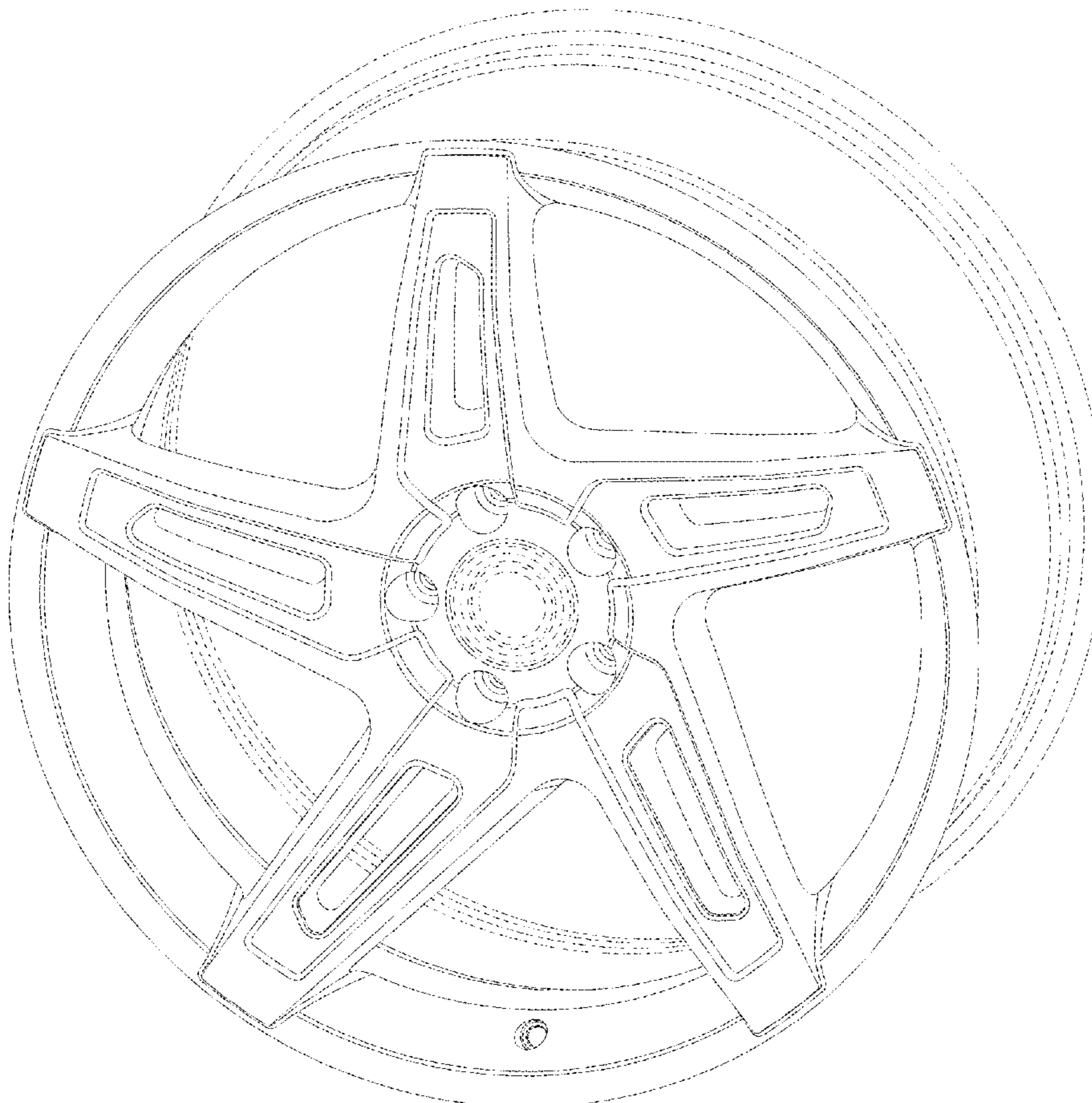
The surface shadings are for illustrative purposes only, and form no part of the claim. The broken lines represent portions of the wheel and form no part of the claimed design.

1 Claim, 3 Drawing Sheets

(56) **References Cited**

U.S. PATENT DOCUMENTS

D409,546 S *	5/1999	Stark	D12/209
D451,061 S *	11/2001	Ishihara	D12/209
D501,441 S *	2/2005	Rosenbohm	D12/211
D538,731 S *	3/2007	Iwauchi	D12/211
D576,536 S *	9/2008	Aroney	D12/209



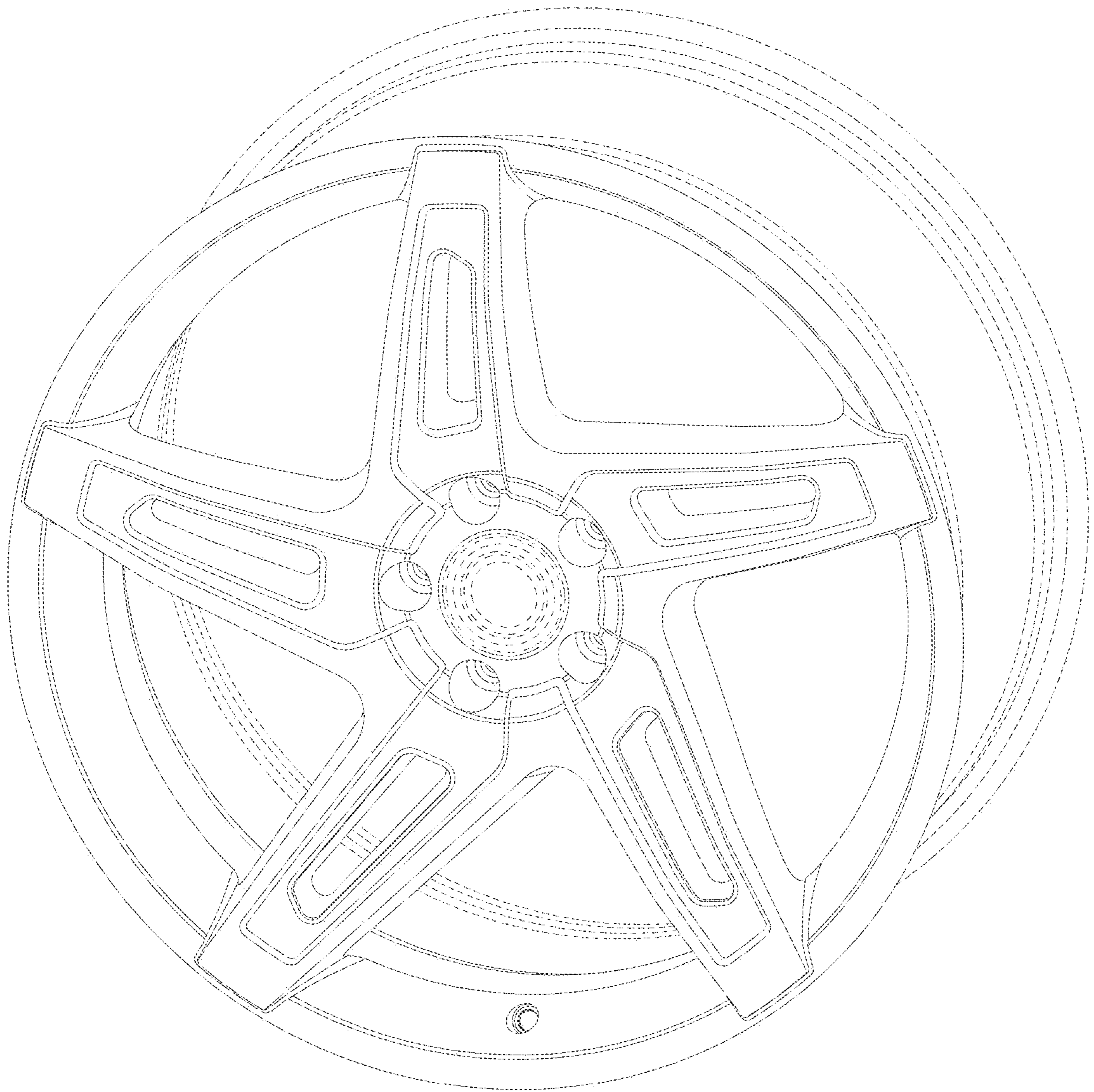


FIG. 1

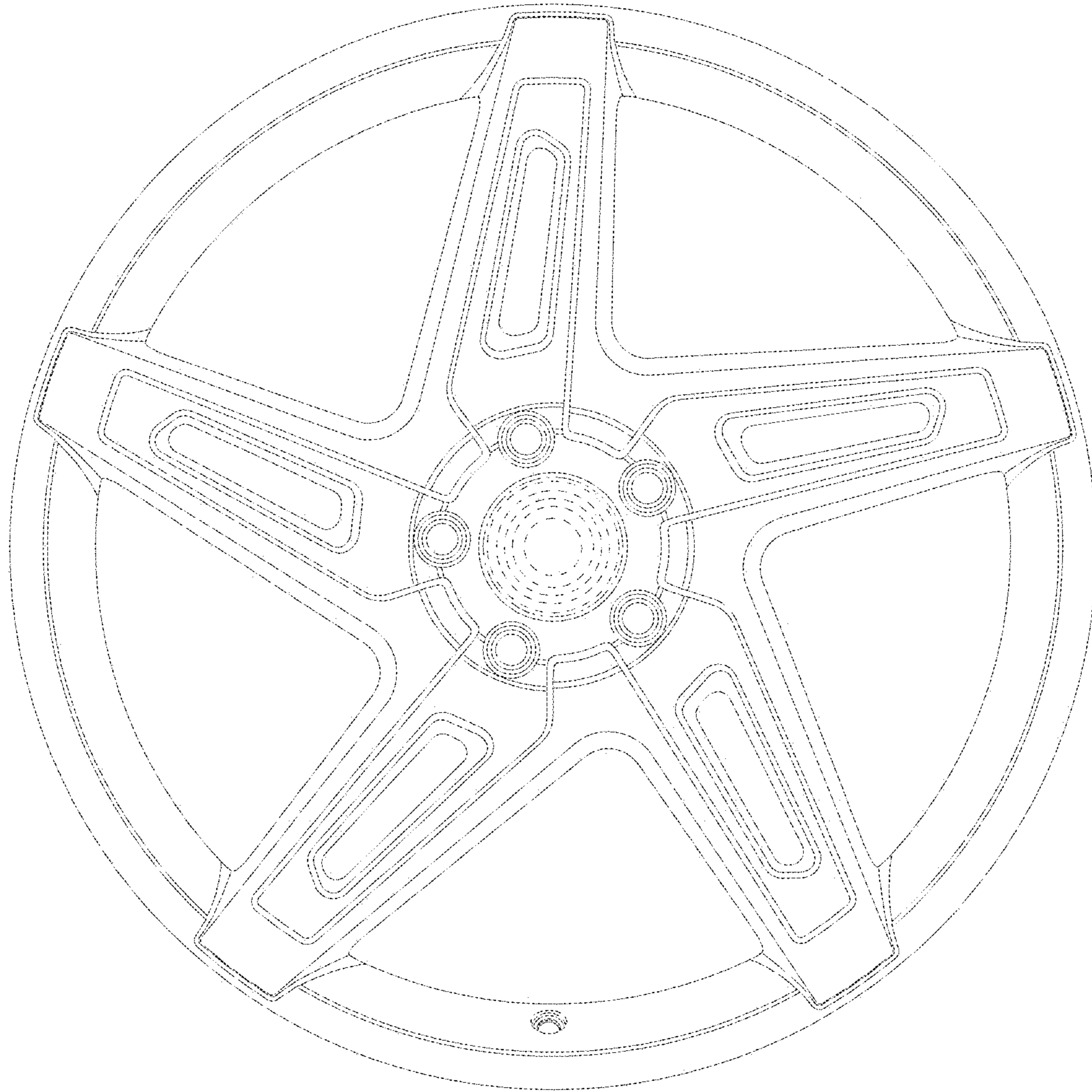


FIG. 2

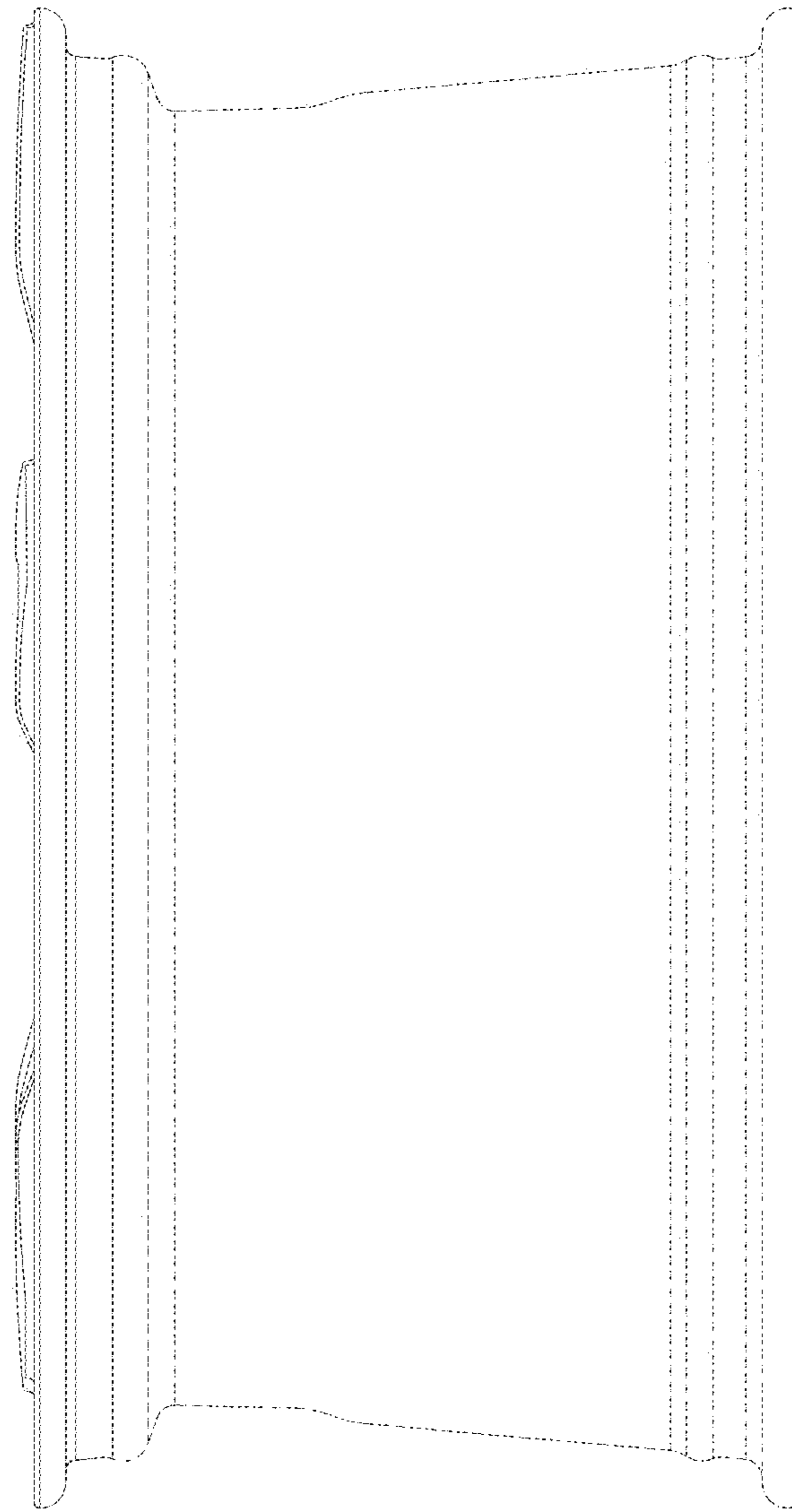


FIG.3