



US00D872666S

(12) **United States Design Patent** (10) **Patent No.:** **US D872,666 S**  
**Marksteiner** (45) **Date of Patent:** **\*\* Jan. 14, 2020**

(54) **LICENSE PLATE FRAME AND HOLDER**

(71) Applicant: **EVAMATIC  
HANDELSGESELLSCHAFT MBH,**  
Bruck A.D. Leitha (AT)

(72) Inventor: **Thomas Marksteiner, Berg (AT)**

(73) Assignee: **Evamatic Handelsgesellschaft mbh,**  
Bruck A.D. Leitha (AT)

(\*\*) Term: **15 Years**

(21) Appl. No.: **29/583,259**

(22) Filed: **Nov. 3, 2016**

(51) **LOC (12) Cl.** ..... **12-16**

(52) **U.S. Cl.**  
USPC ..... **D12/193**

(58) **Field of Classification Search**  
USPC ..... D12/193  
CPC ..... B60R 13/10; B60R 13/105; B60R 19/24;  
B60R 19/52  
See application file for complete search history.

(56) **References Cited**

**U.S. PATENT DOCUMENTS**

D281,490 S *	11/1985	Lien .....	D12/193
D342,929 S *	1/1994	Spencer .....	D12/193
D377,777 S *	2/1997	Kheyfets .....	D12/193
D408,341 S *	4/1999	Spencer .....	D12/193
D412,307 S *	7/1999	Hartmann .....	D12/193
D413,847 S *	9/1999	Hartmann .....	D12/193
D437,816 S *	2/2001	Hussaini .....	D12/193
D488,753 S *	4/2004	Spencer .....	D12/193

D488,754 S *	4/2004	Spencer .....	D12/193
D516,483 S *	3/2006	Eidsmore .....	D12/193
D576,934 S *	9/2008	Hirth .....	D12/193
D590,311 S *	4/2009	Pacleb .....	D12/193
D651,547 S *	1/2012	Spencer .....	D12/193
8,281,508 B1 *	10/2012	Wiskow .....	B60R 13/105 40/209
D715,202 S *	10/2014	Spencer .....	D12/193
D734,228 S *	7/2015	Masanek, Jr. ....	D12/193
D739,800 S *	9/2015	Spencer .....	D12/193
D824,828 S *	8/2018	Marksteiner .....	D12/193

\* cited by examiner

*Primary Examiner* — Natasha Vujcic

(74) *Attorney, Agent, or Firm* — Laurence A. Greenberg;  
Werner H. Stemer; Ralph E. Locher

(57) **CLAIM**

The ornamental design for a license plate frame and holder, as shown and described.

**DESCRIPTION**

FIG. 1 is a front elevation view of a first embodiment of a license plate frame and holder showing my new invention; FIG. 2 is a front elevation view of a second embodiment thereof; FIG. 3 is a front perspective view of the first embodiment; FIG. 4 is a rear perspective view thereof; FIG. 5 is a rear perspective view of the second embodiment; and, FIG. 6 is a front perspective view thereof. The broken lines in the drawings illustrates portions of the license plate frame and holder which forms no part of the claimed design.

**1 Claim, 6 Drawing Sheets**

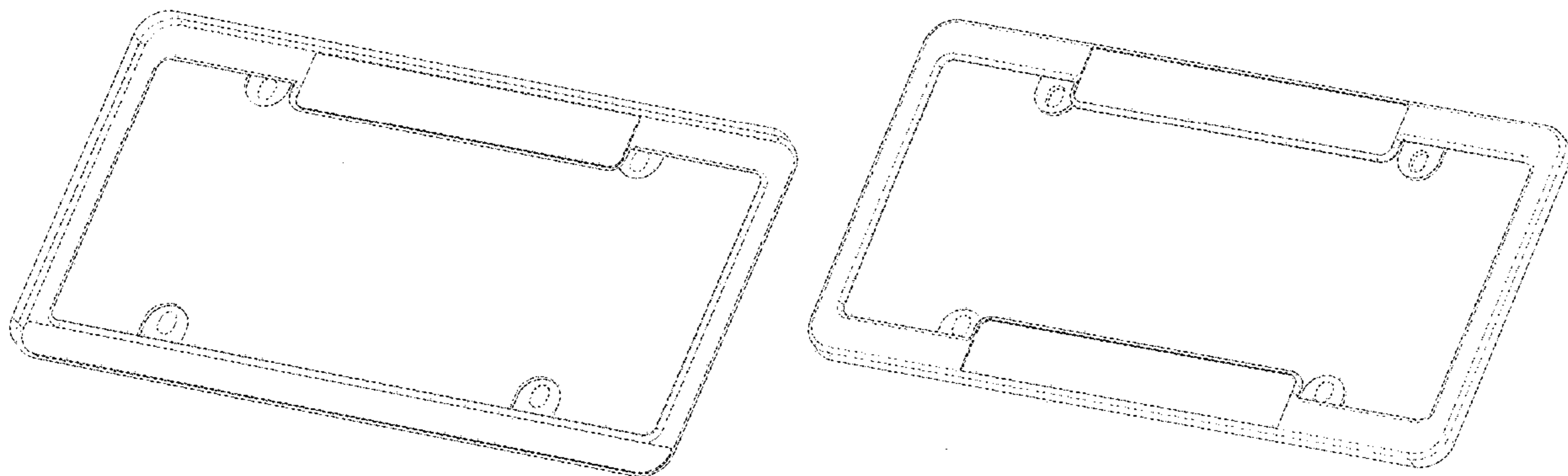


FIG. 1

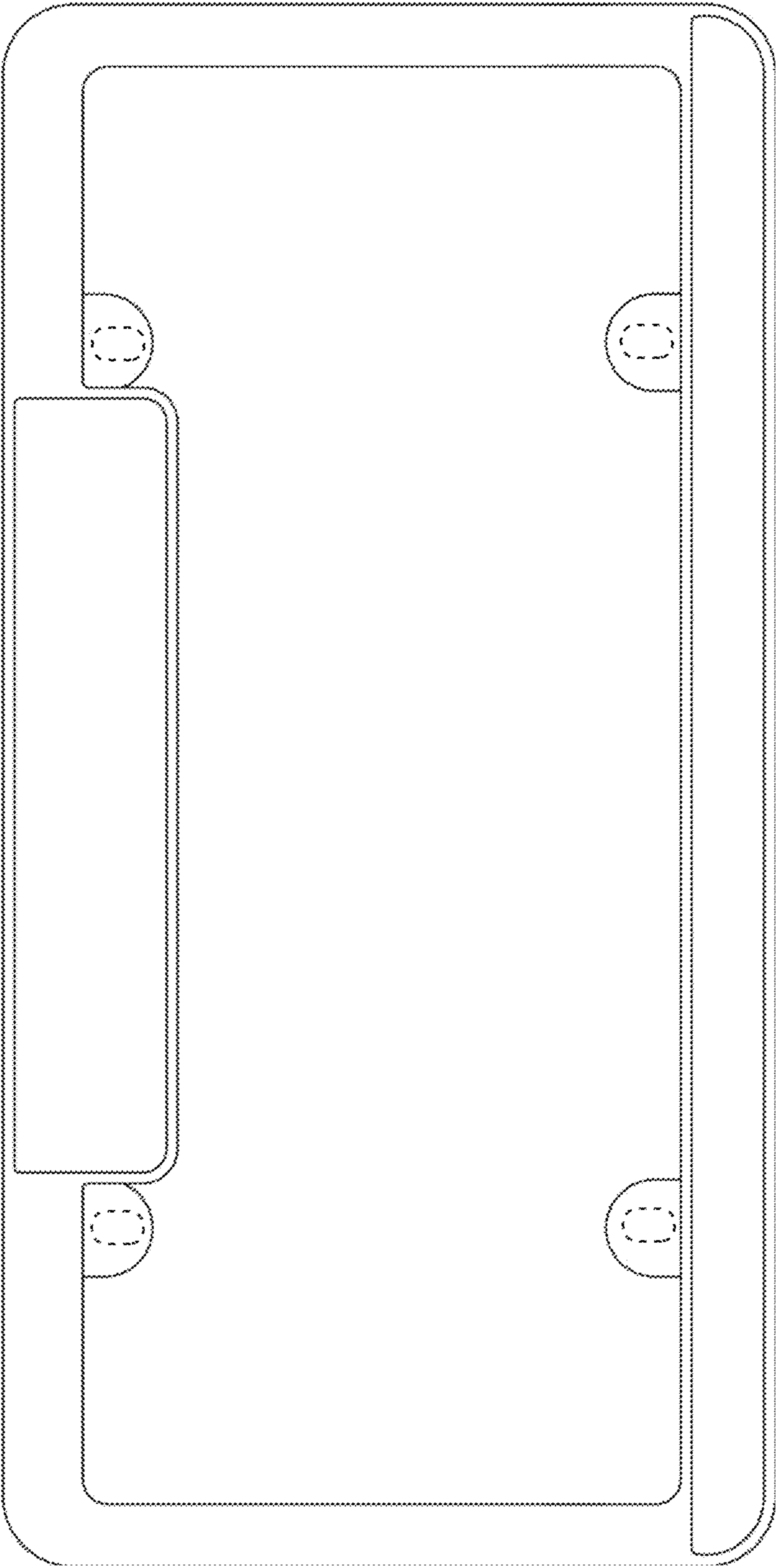


FIG. 2

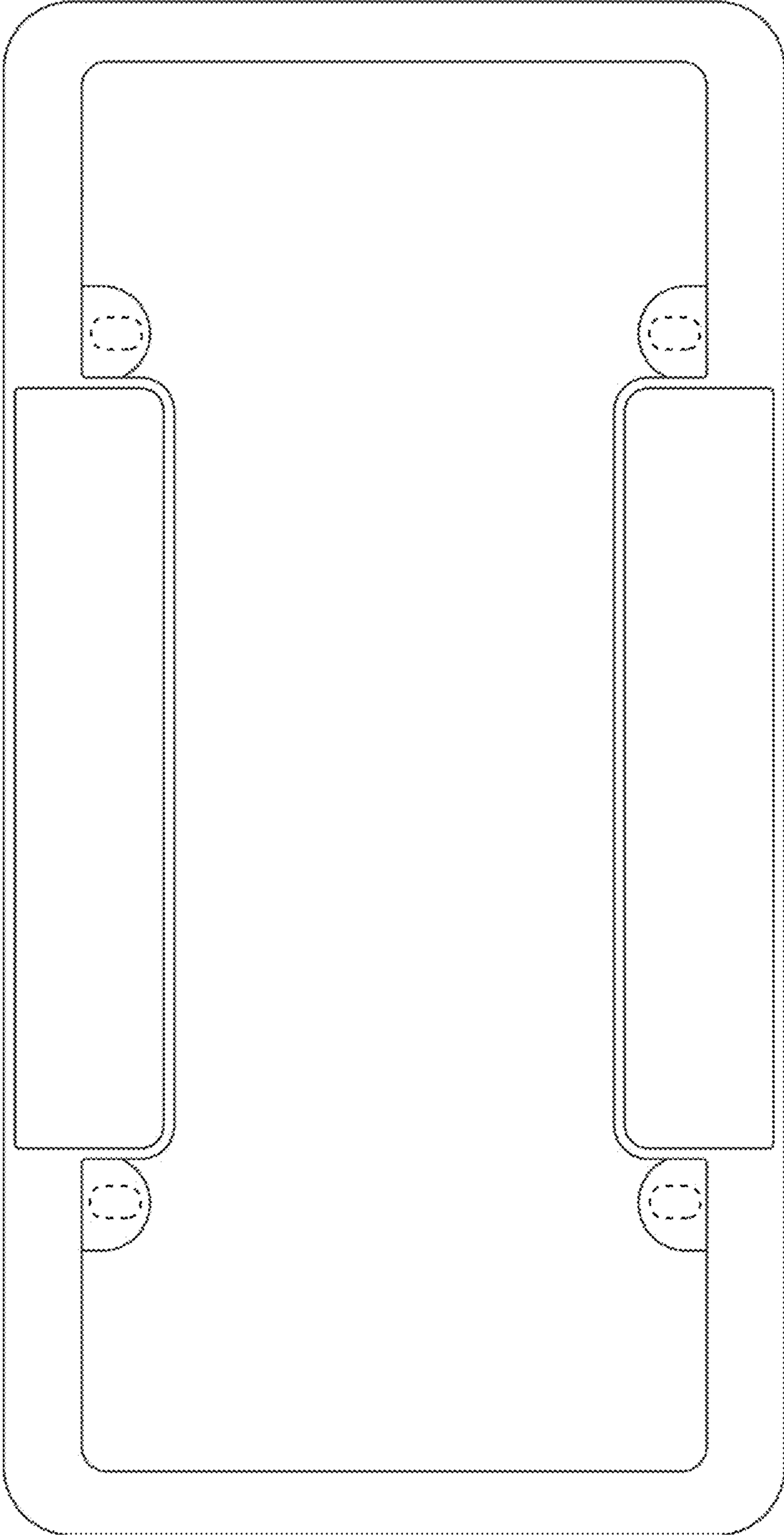


FIG. 3

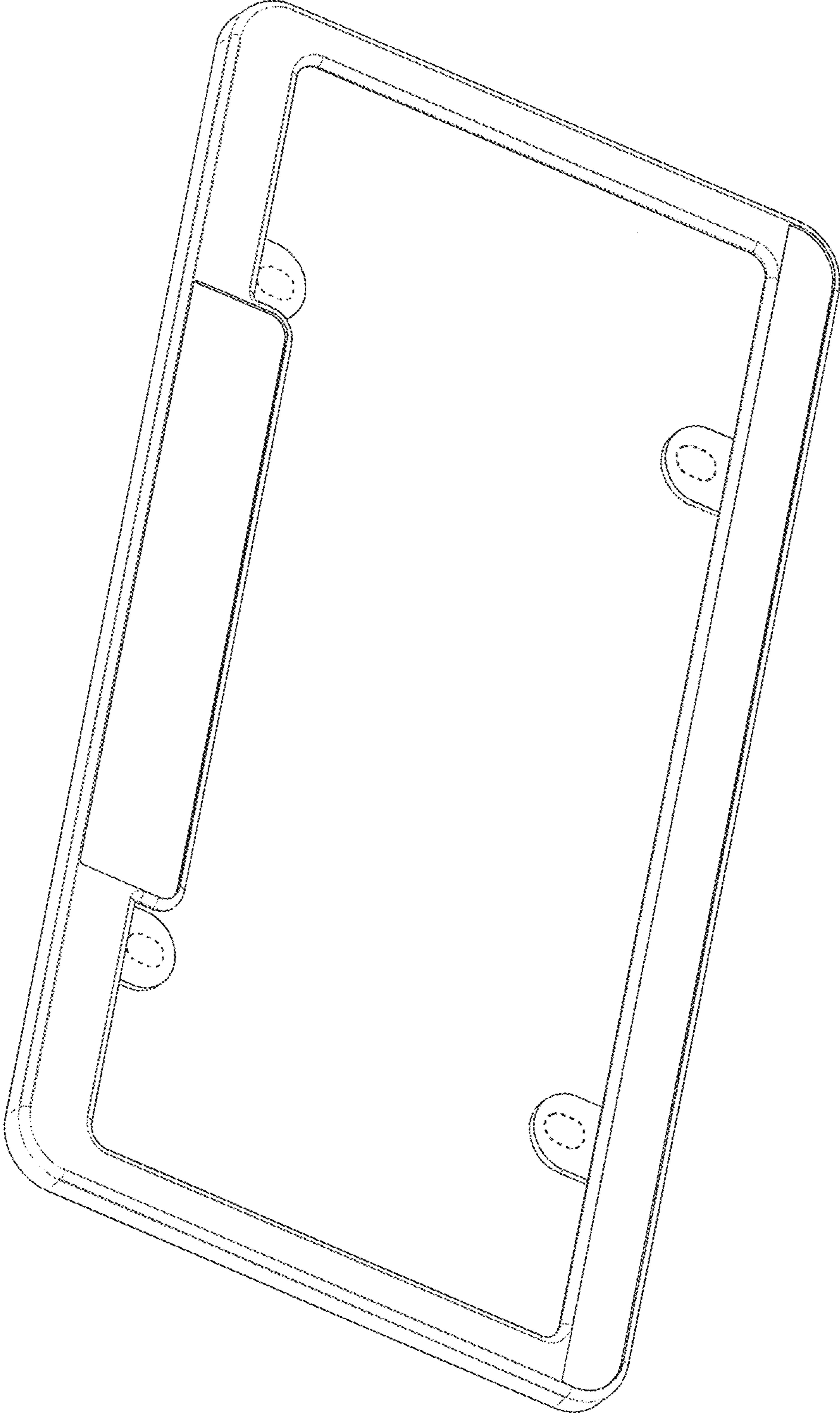


FIG. 4

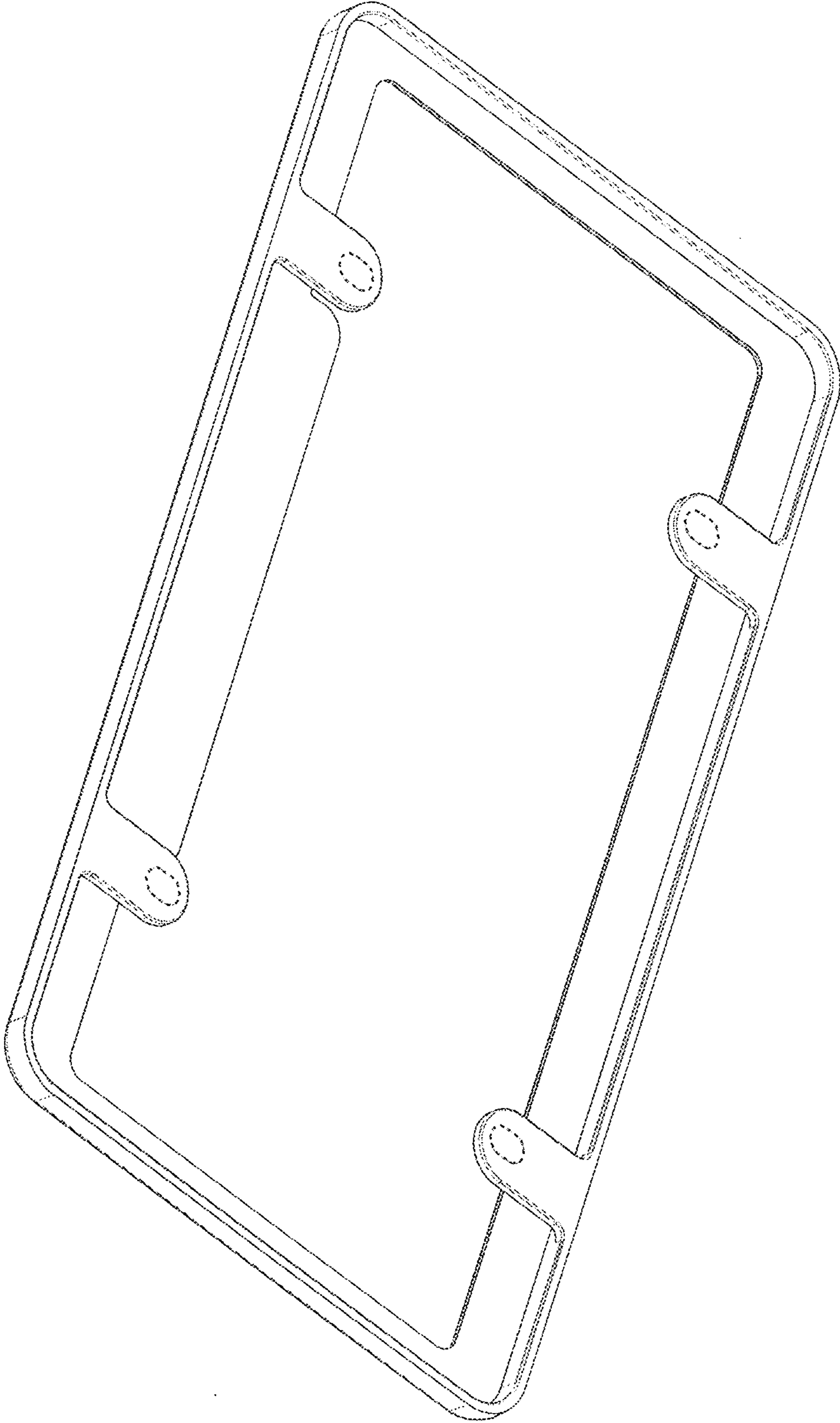


FIG. 5

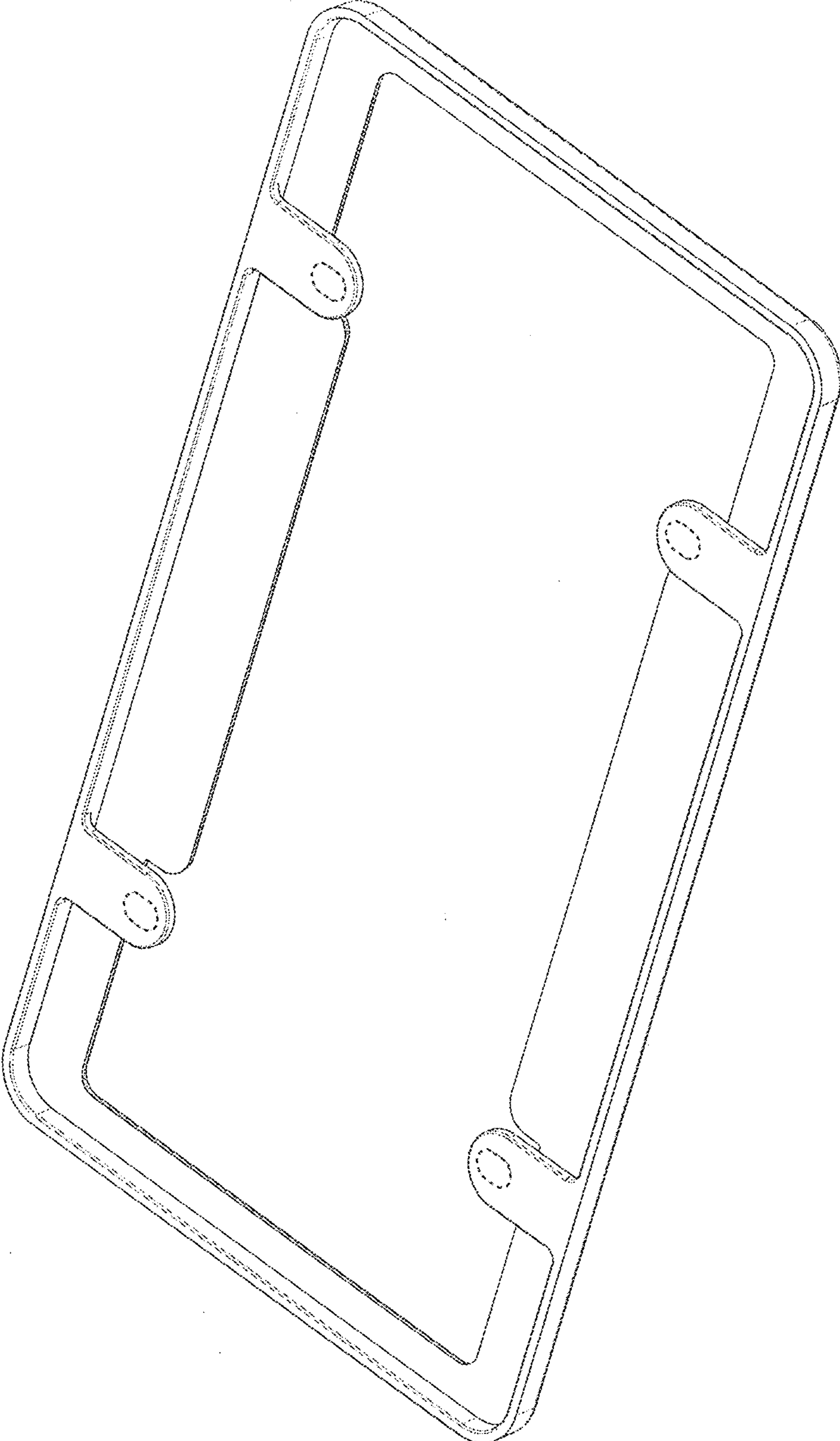


FIG. 6

