



US00D872665S

(12) **United States Design Patent** (10) **Patent No.:** **US D872,665 S**  
**Lewis et al.** (45) **Date of Patent:** **\*\* Jan. 14, 2020**

(54) **SET OF CONTROL GRIPS FOR A CONSTRUCTION MACHINE**

(71) Applicant: **CNH Industrial America LLC**, New Holland, PA (US)

(72) Inventors: **Brady Dorr Lewis**, Peck, KS (US); **David R. Natzke**, Wichita, KS (US); **Timothy Aaron Newlin**, Wichita, KS (US); **Quinton Berggren**, Wichita, KS (US); **Allan Paul Grossman**, Wichita, KS (US)

(73) Assignee: **CNH Industrial America LLC**, New Holland, PA (US)

(\*\*) Term: **15 Years**

(21) Appl. No.: **29/595,600**

(22) Filed: **Feb. 28, 2017**

(51) **LOC (12) Cl.** ..... **12-16**

(52) **U.S. Cl.**  
USPC ..... **D12/179**

(58) **Field of Classification Search**  
USPC ..... D12/345, 179, 174; D14/454, 400, 415, D14/412, 416; 345/161; D21/333;  
(Continued)

(56) **References Cited**

U.S. PATENT DOCUMENTS

D444,785 S \* 7/2001 Whitehorn ..... D14/412  
D568,796 S \* 5/2008 Oliver ..... D12/179  
(Continued)

Primary Examiner — Gino Colan

(74) *Attorney, Agent, or Firm* — Peter K. Zacharias; Patrick M. Shel Drake

(57) **CLAIM**

The ornamental design for a set of control grips for a construction machine, as shown and described.

**DESCRIPTION**

FIG. 1 is a front perspective view of the right side of a set of control grips for a construction machine showing our new design, shown in condition of use.

FIG. 2 is a rear perspective view of the right control grip of FIG. 1.

FIG. 3 is a front view of the right control grip of FIG. 1.

FIG. 4 is a rear view of the right control grip of FIG. 1.

FIG. 5 is a left side view of the right control grip of FIG. 1.

FIG. 6 is a right side view of the right control grip of FIG. 1.

FIG. 7 is a top view of the right control grip of FIG. 1.

FIG. 8 is a bottom view of the right control grip of FIG. 1.

FIG. 9 is a front perspective view of the left side of the set of control grips for a construction machine showing our new design, shown in condition of use.

FIG. 10 is a rear perspective view of the left control grip of FIG. 9.

FIG. 11 is a front view of the left control grip of FIG. 9.

FIG. 12 is a rear view of the left control grip of FIG. 9.

FIG. 13 is a right side view of the left control grip of FIG. 9.

FIG. 14 is a left side view of the left control grip of FIG. 9.

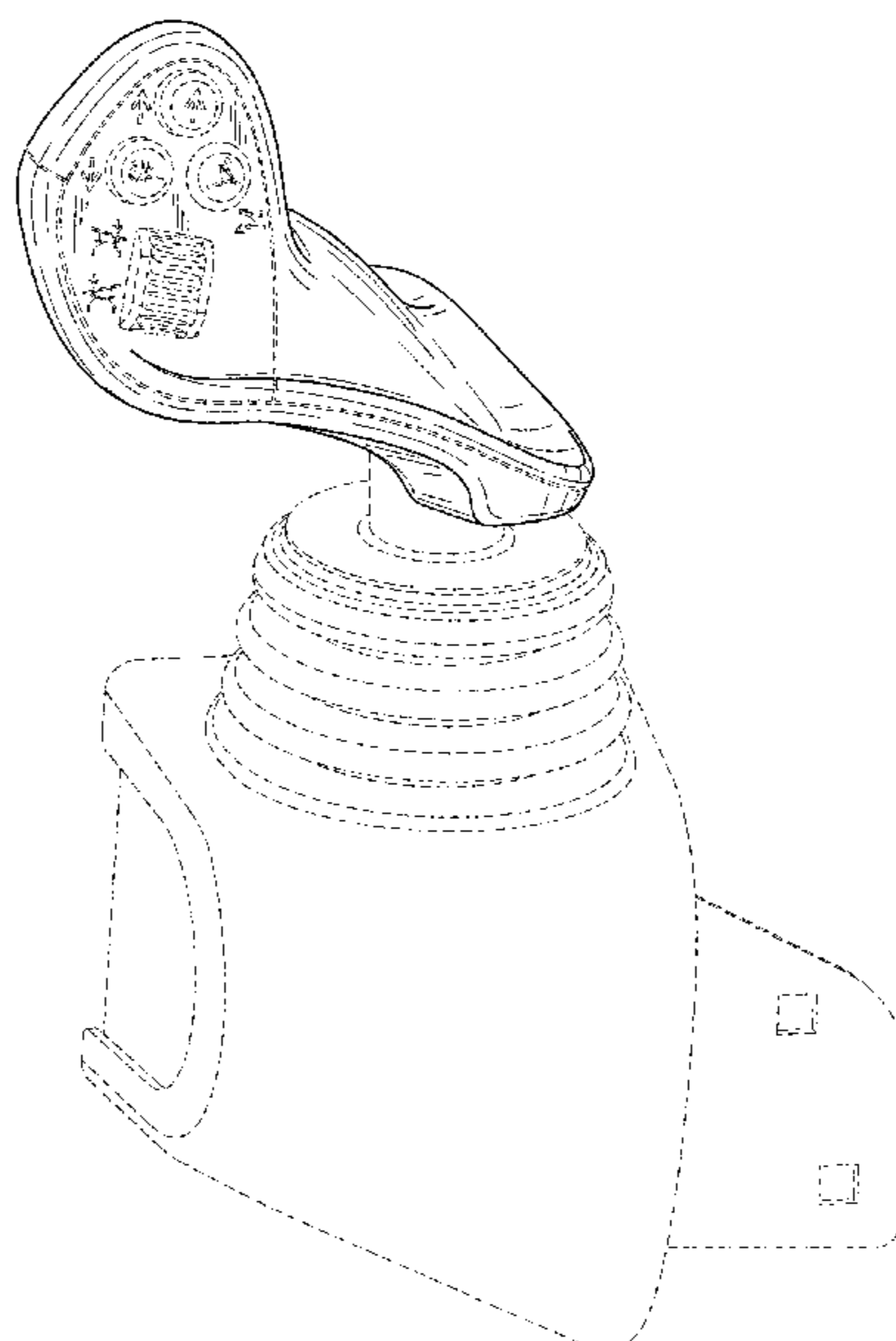
FIG. 15 is a top view of the left control grip of FIG. 9; and,

FIG. 16 is a bottom view of the left control grip of FIG. 9.

The broken lines shown in the figures are for the purpose of illustrating portions of the set of control grips for a construction machine and form no part of the claimed design.

The broken lines showing support arms in FIGS. 1 through 7 and 9 through 15 are for the purpose of illustrating environment and form no part of the claimed design.

**1 Claim, 12 Drawing Sheets**



(58) **Field of Classification Search**

USPC ..... D24/138; 180/333, 315; D34/28, 35;  
74/489, 551.9, 491; D15/28  
CPC ..... G05G 9/047; G05G 2009/04774; G05G  
2009/04703

See application file for complete search history.

(56) **References Cited**

U.S. PATENT DOCUMENTS

D584,312	S	*	1/2009	Bishop	.....	D14/412
D635,155	S	*	3/2011	Blind	.....	D15/28
D671,565	S	*	11/2012	Kinoshita	.....	D15/28
D678,283	S	*	3/2013	Olson	.....	D14/412
D686,622	S	*	7/2013	Rey	.....	D14/412
D734,335	S	*	7/2015	Jensen	.....	D14/415
D747,721	S	*	1/2016	Gentle	.....	D12/179
D753,118	S	*	4/2016	French	.....	D12/179
D769,178	S	*	10/2016	Kasparian	.....	D12/345
D777,803	S	*	1/2017	Wuisan	.....	D15/28
D811,298	S	*	2/2018	Miura	.....	D12/179
2005/0279561	A1	*	12/2005	Shearer	.....	E02F 3/7663 180/333

\* cited by examiner

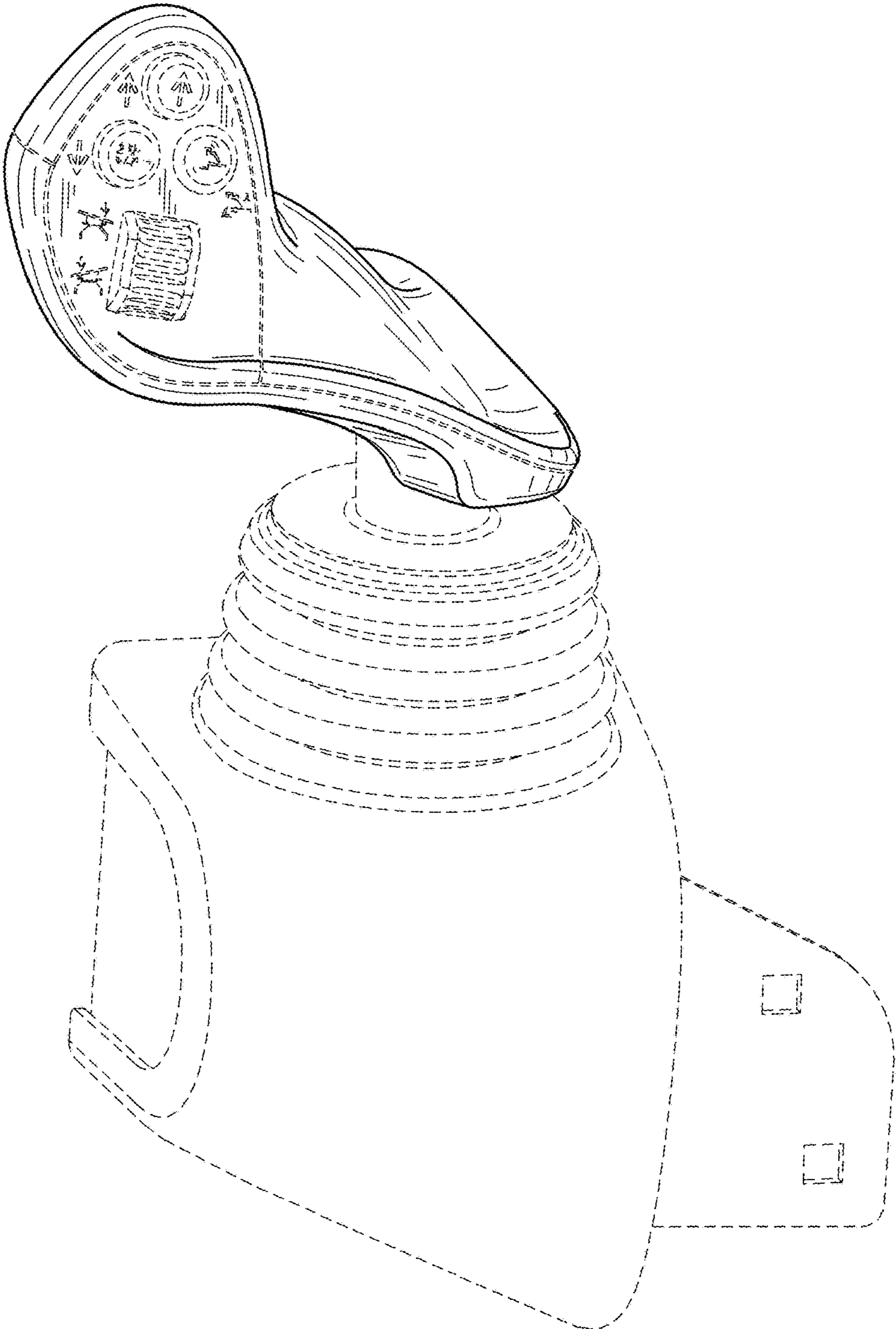


FIG. 1

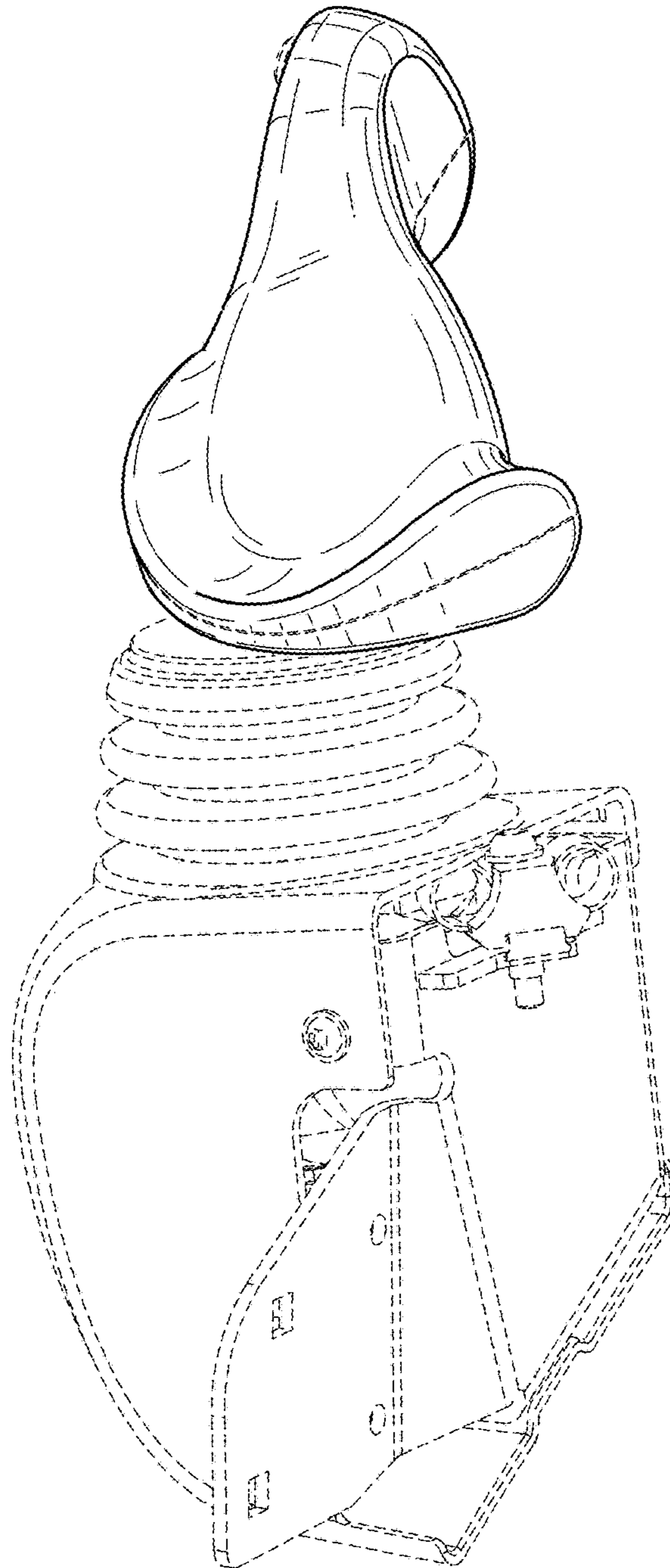


FIG. 2

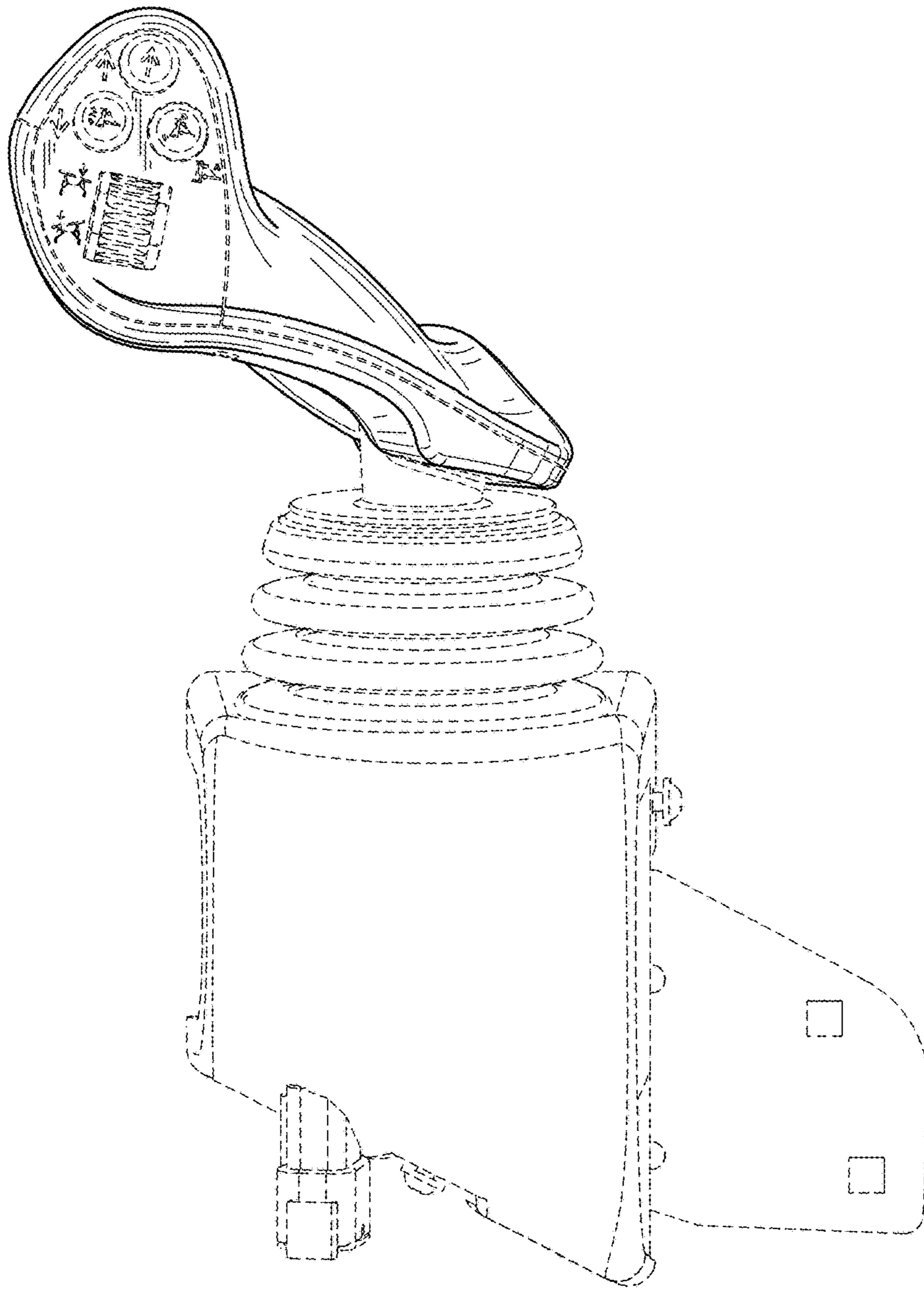


FIG. 3

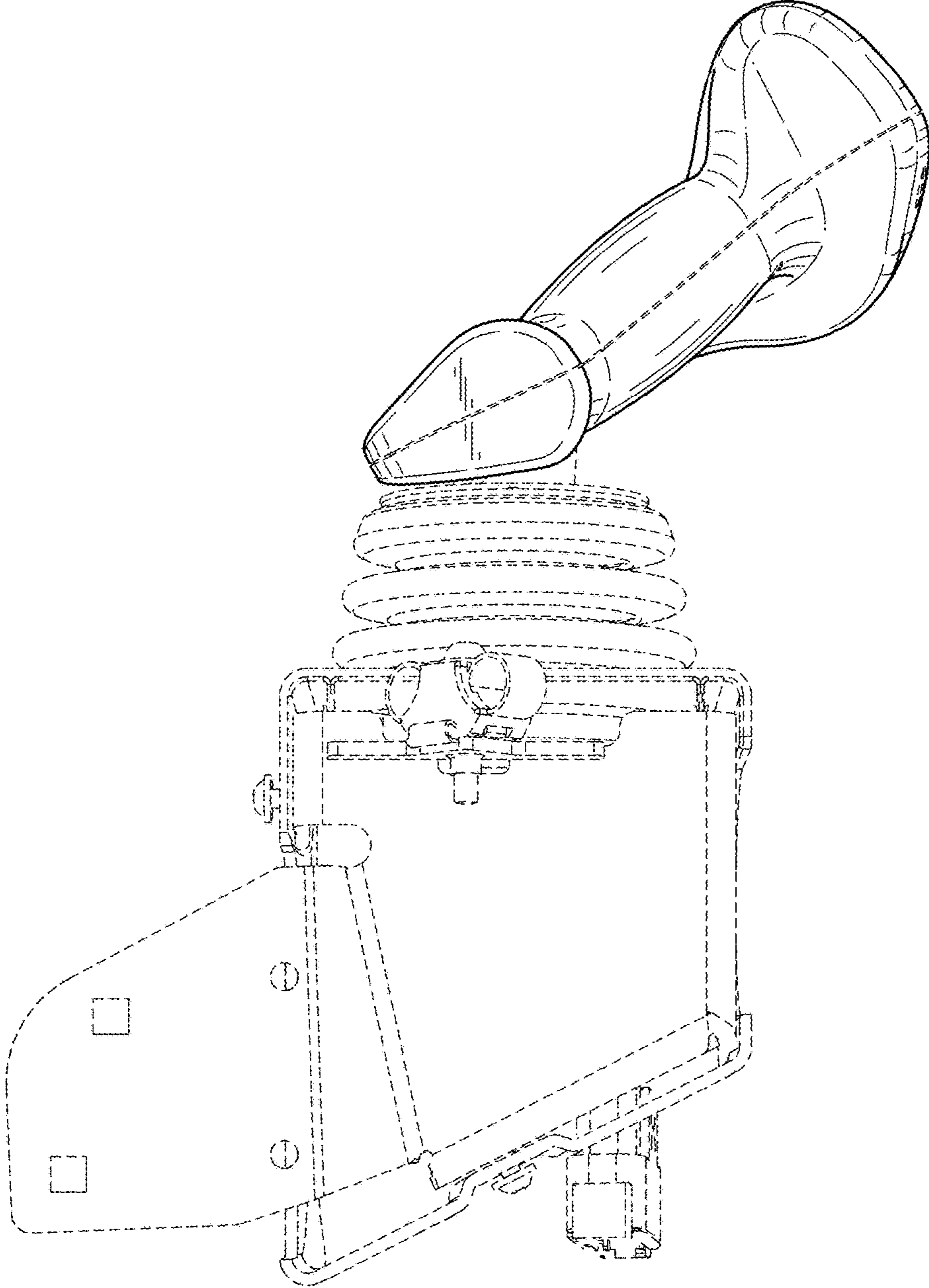


FIG. 4

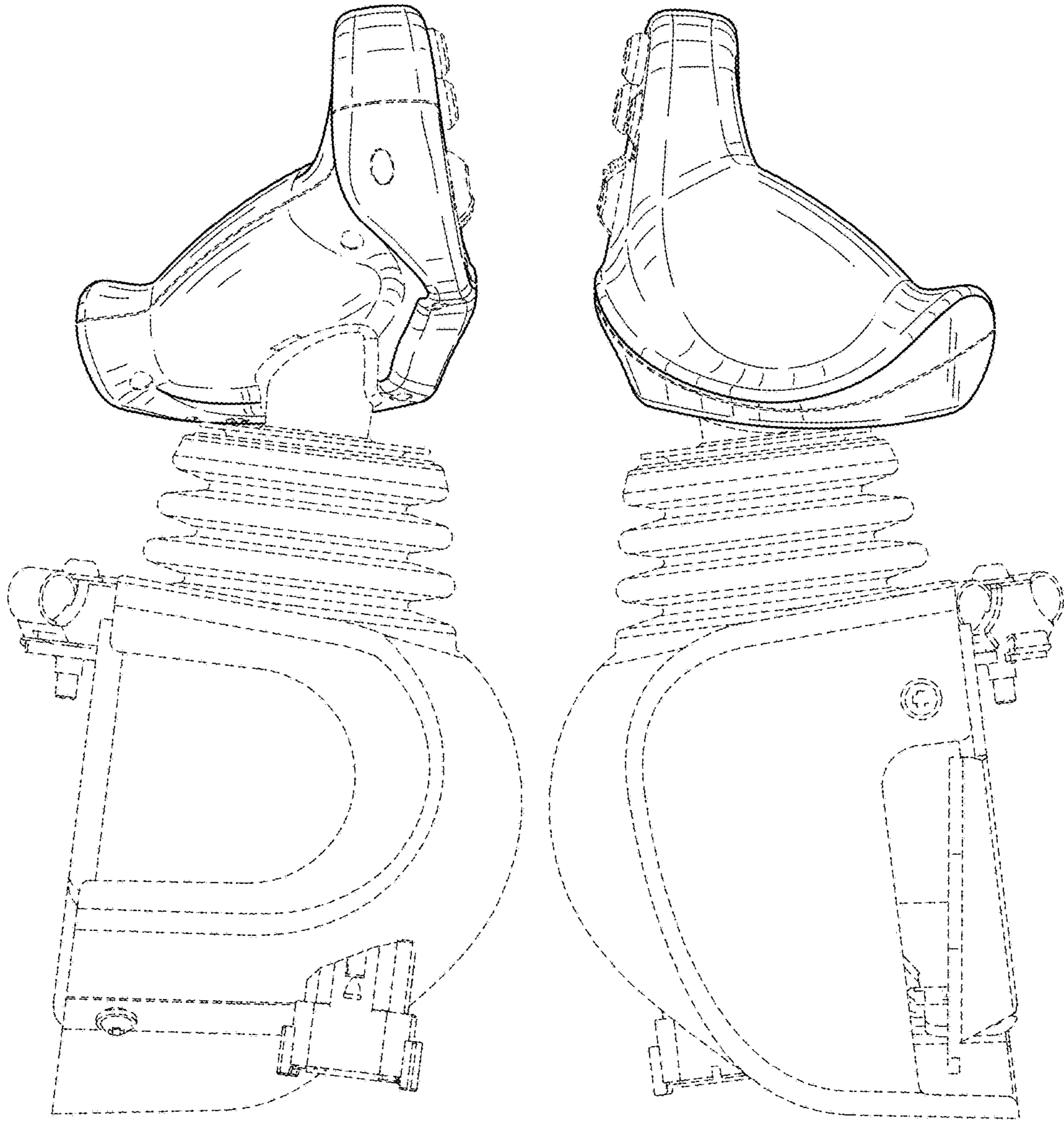


FIG. 5

FIG. 6

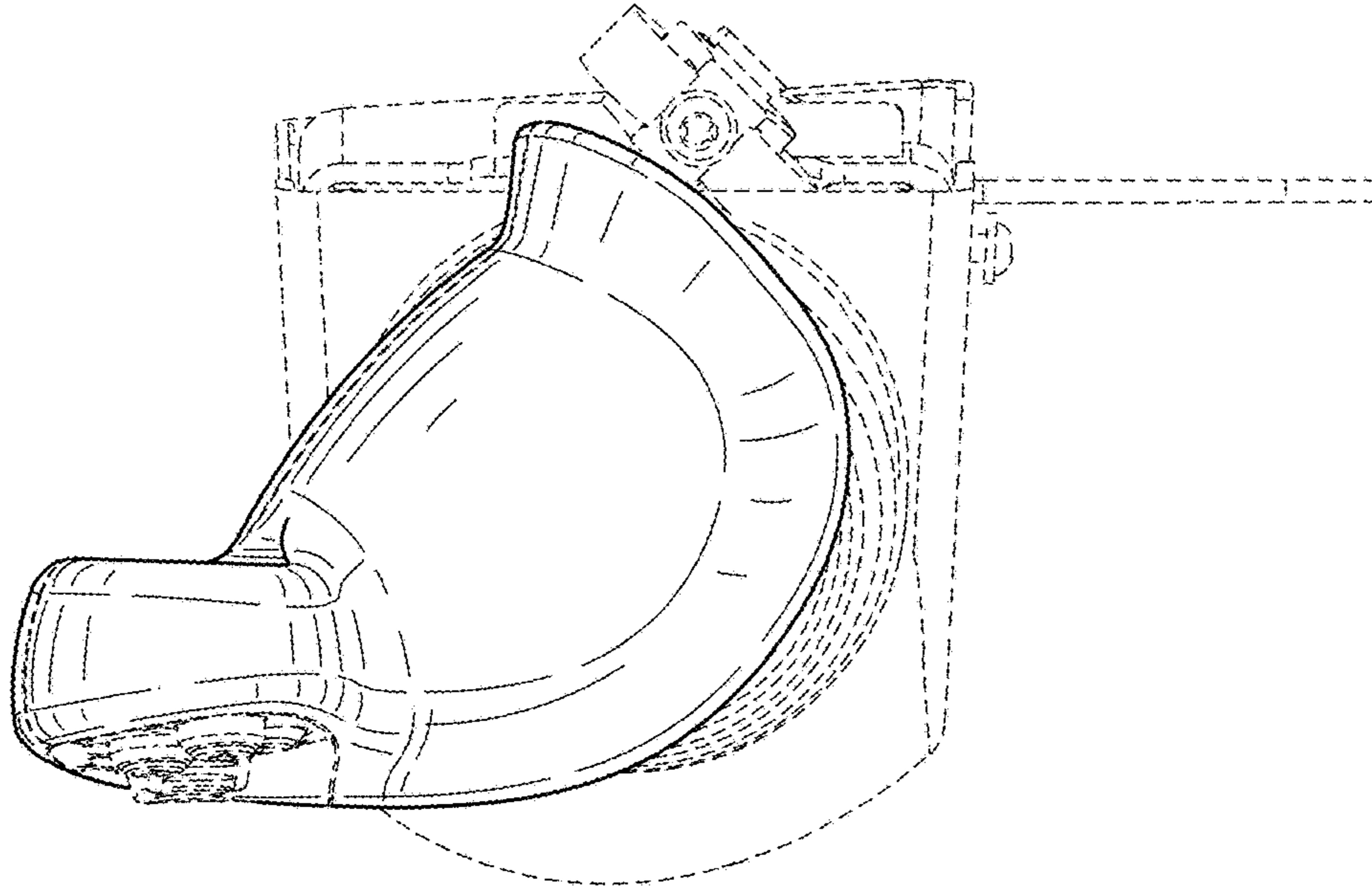


FIG. 7

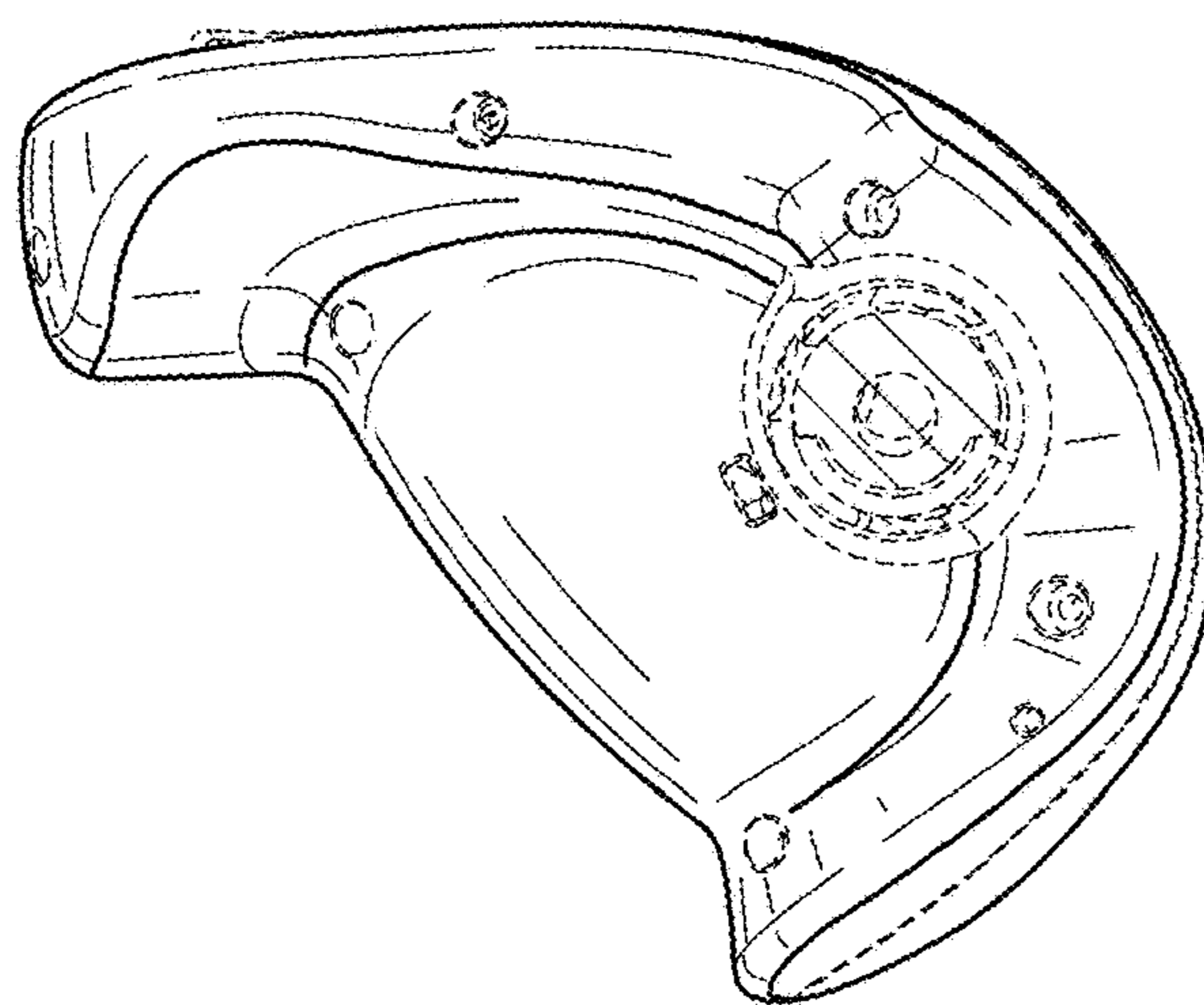


FIG. 8



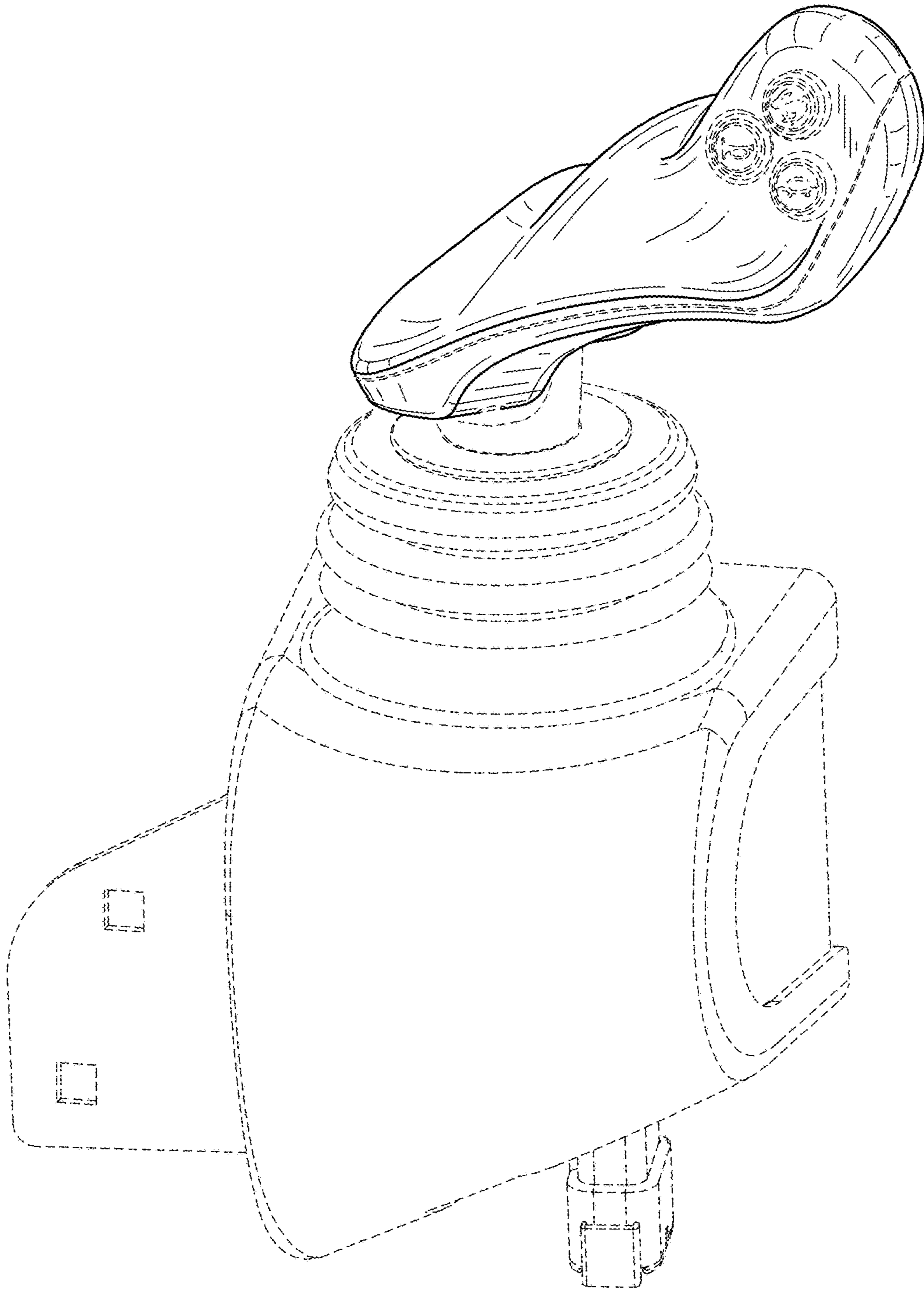


FIG. 9

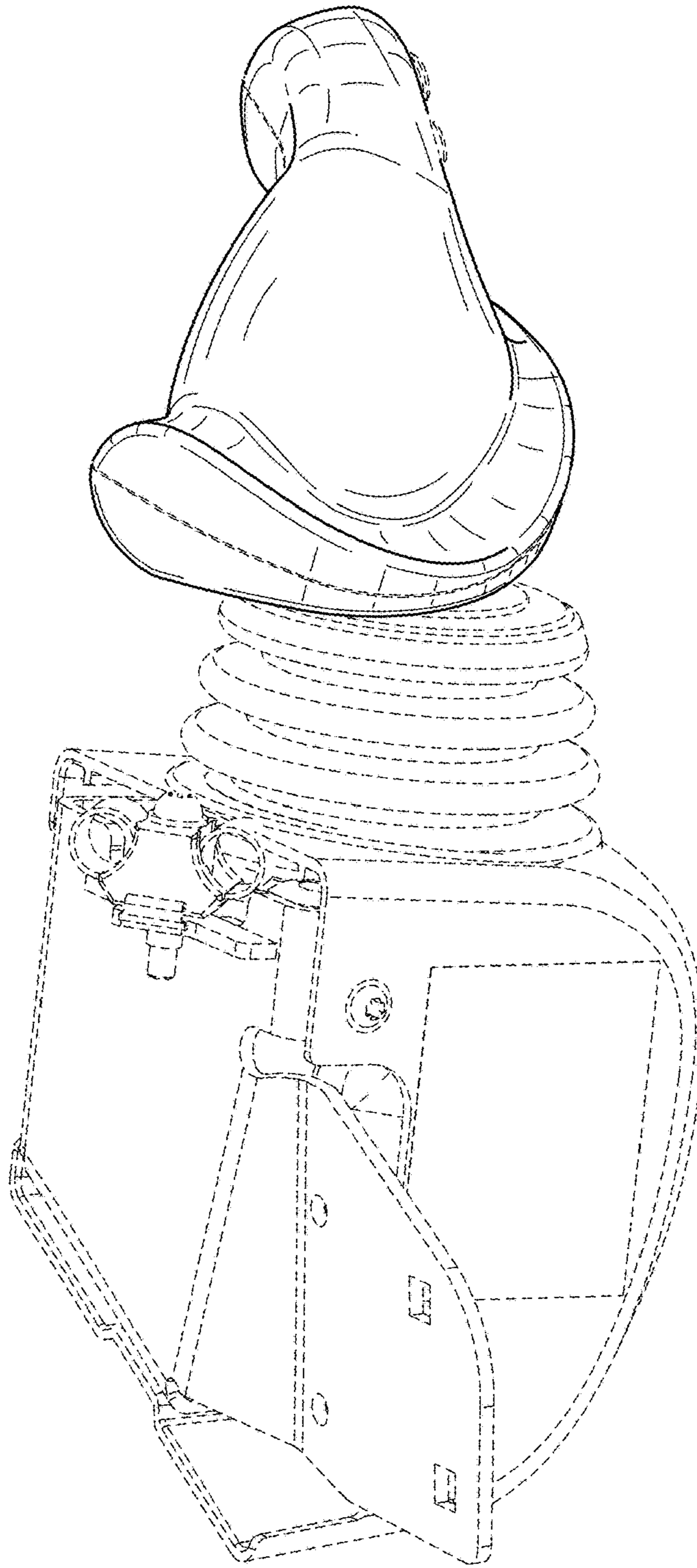


FIG. 10

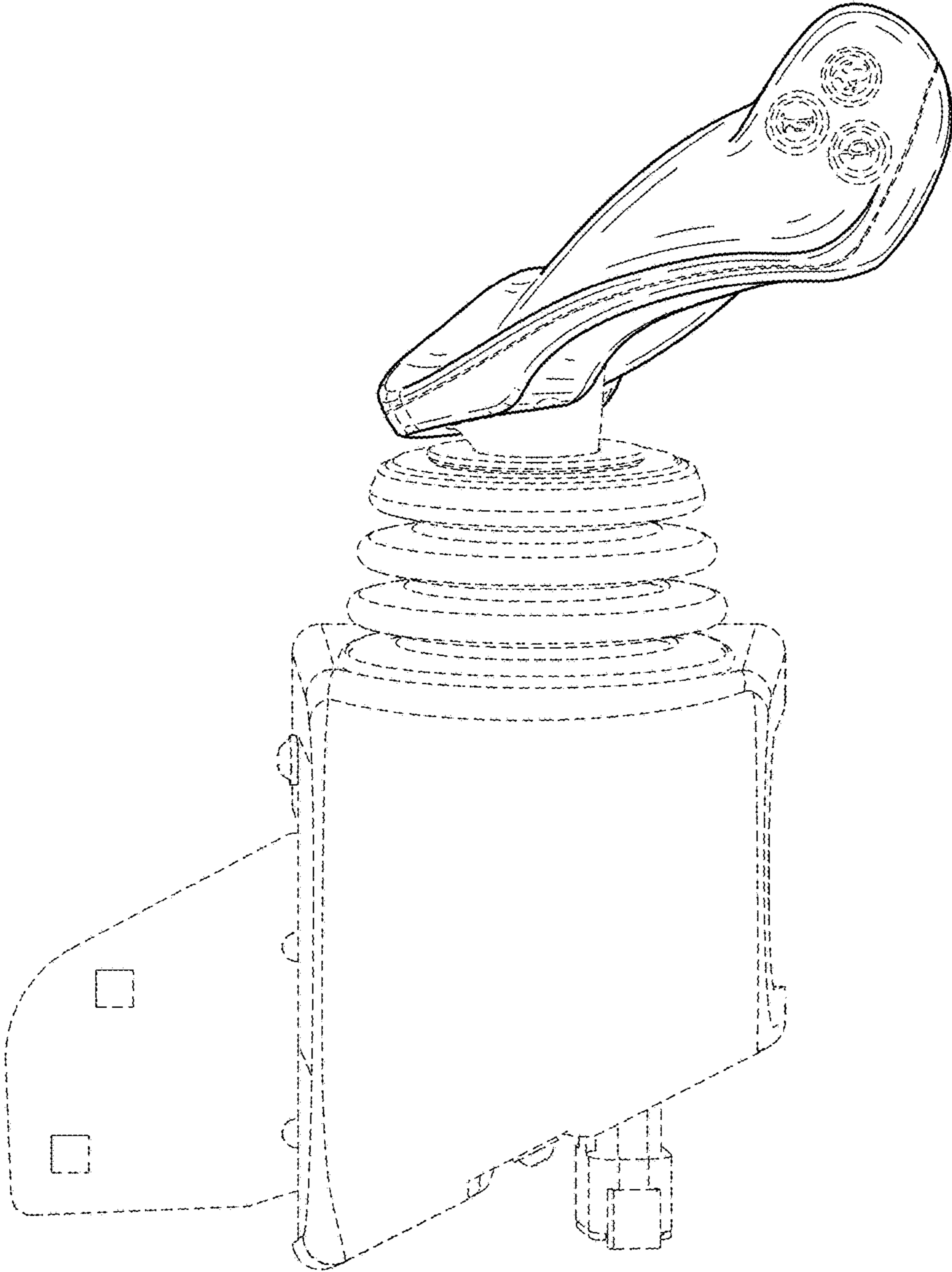


FIG. 11

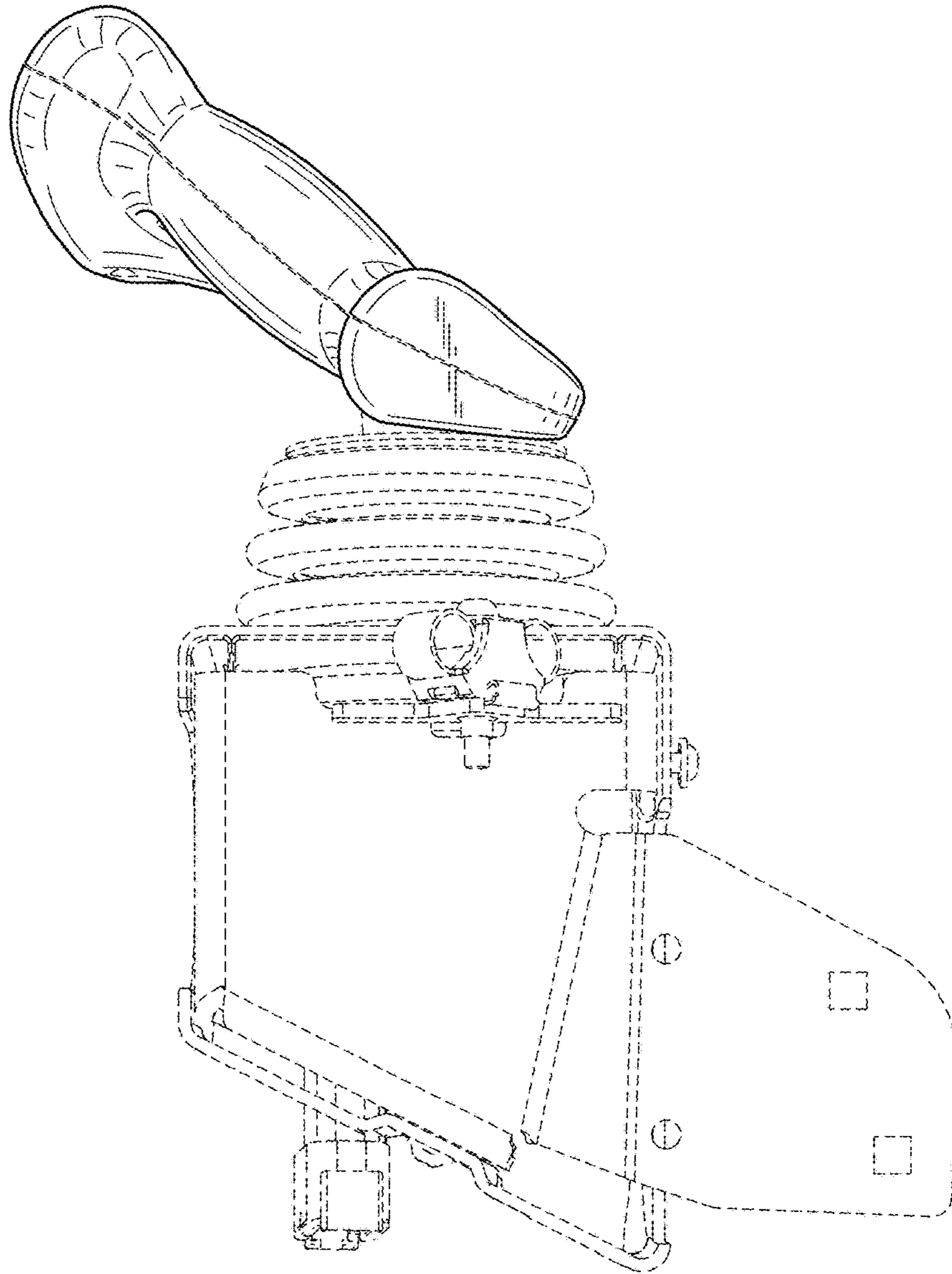


FIG. 12

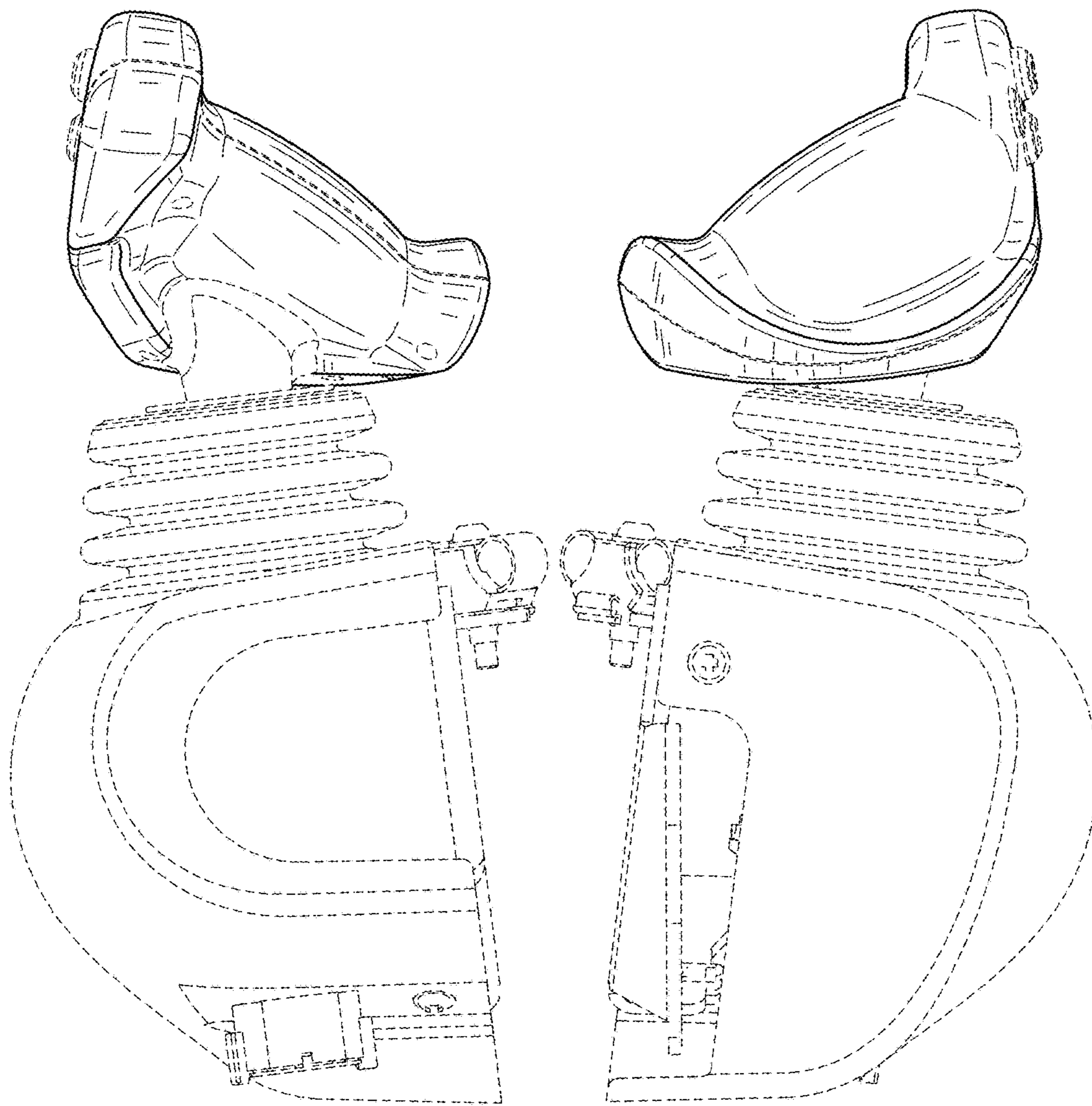


FIG. 13

FIG. 14

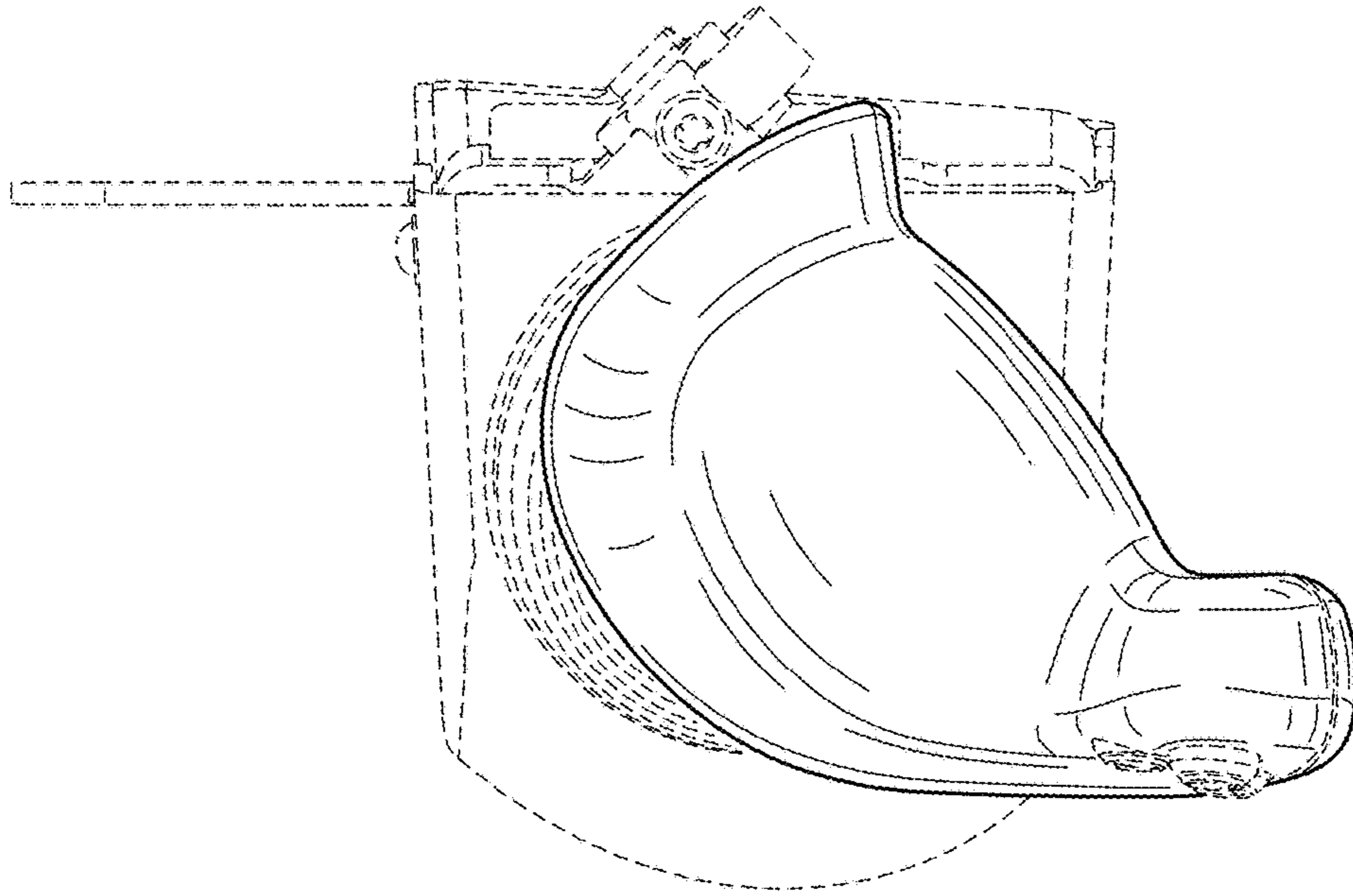


FIG. 15

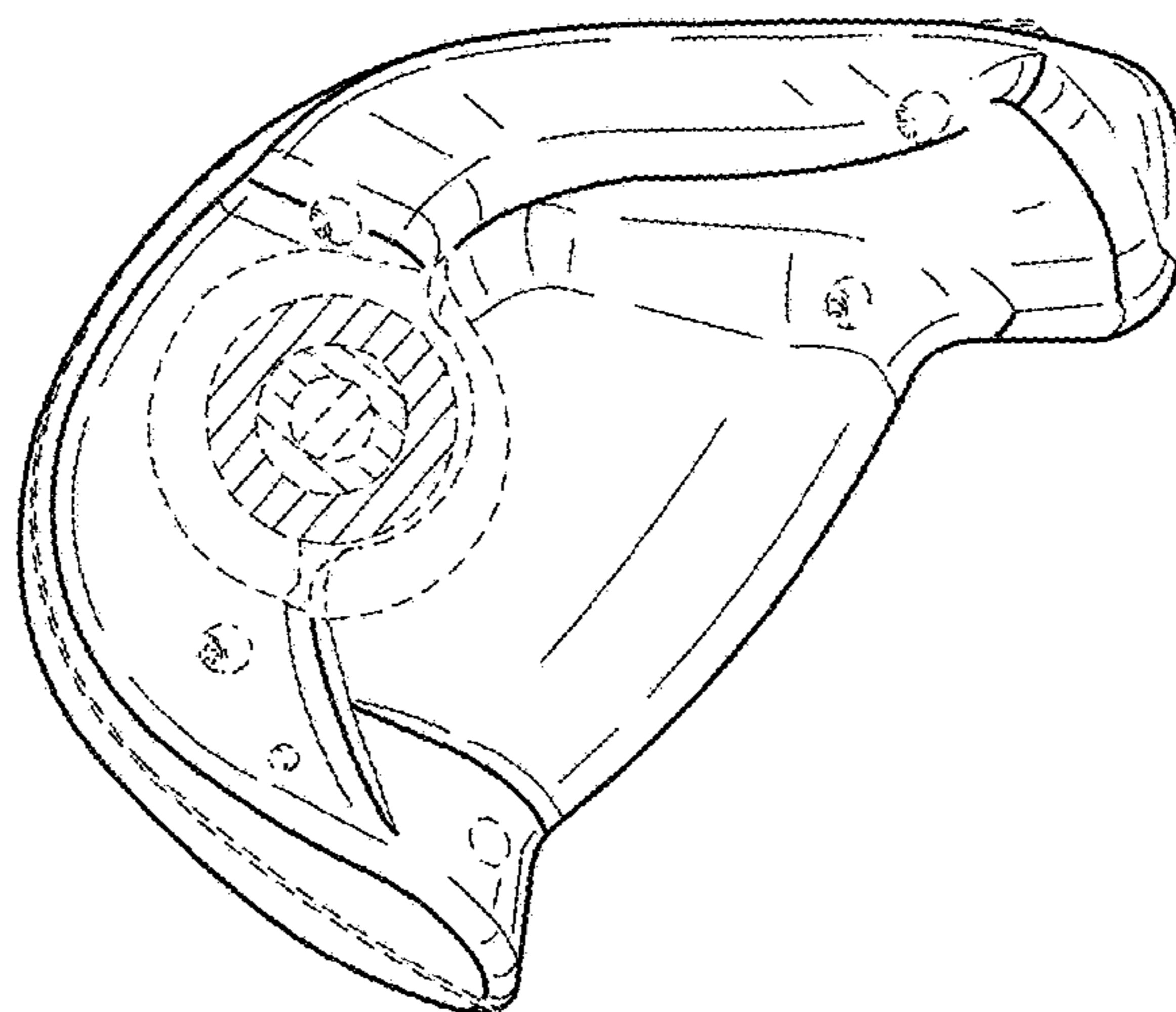


FIG. 16