



US00D872664S

(12) **United States Design Patent**
Woodhouse et al.

(10) **Patent No.:** **US D872,664 S**
(45) **Date of Patent:** **** Jan. 14, 2020**

(54) **VEHICLE AIR BAG COMPARTMENT**

(71) Applicant: **Ford Global Technologies, LLC,**
Dearborn, MI (US)

(72) Inventors: **David Woodhouse,** Troy, MI (US); **Soo Young Kang,** Northville, MI (US);
James P. Smithbauer, West Bloomfield, MI (US); **Lukas Chung,** Ladera Ranch, CA (US); **DongHun Park,** Ann Arbor, MI (US)

(73) Assignee: **Ford Global Technologies, LLC,**
Dearborn, MI (US)

(**) Term: **15 Years**

(21) Appl. No.: **29/641,749**

(22) Filed: **Mar. 23, 2018**

(51) **LOC (12) Cl.** **12-16**

(52) **U.S. Cl.**
USPC **D12/177**

(58) **Field of Classification Search**

USPC D12/82, 86, 90, 91, 92, 93, 96, 97, 98,
D12/99, 174, 175, 177, 181, 184, 190,
D12/196, 221, 400

CPC B62D 35/00; B62D 35/001; B60J 1/00;
B60J 1/008; B60N 3/00; B60N 3/005

See application file for complete search history.

(56) **References Cited**

U.S. PATENT DOCUMENTS

8,196,953 B2 * 6/2012 Weigand B60R 13/005
280/728.3

8,894,093 B2 * 11/2014 Jung B60R 21/2165
280/728.3

8,905,430 B2 * 12/2014 Ishikawa B60R 21/215
280/728.3

8,925,959 B2 * 1/2015 Bosch B60R 21/203
280/728.3

9,067,556 B2 * 6/2015 Bosch B60R 21/203

9,205,796 B2 * 12/2015 Nonoyama B60R 21/215

9,248,801 B2 * 2/2016 Bichler B60R 21/21656

9,333,937 B1 * 5/2016 Hock B60R 21/21656

D768,550 S * 10/2016 Schowalter D12/195

9,650,009 B2 * 5/2017 Bana Castro B60R 21/203

9,694,780 B1 * 7/2017 Lowe B60R 21/21656

D804,374 S * 12/2017 Ogawa D12/177

* cited by examiner

Primary Examiner — Susan Bennett Hattan

Assistant Examiner — Suzanne E Tisdell

(74) *Attorney, Agent, or Firm* — Vichit Chea

(57) **CLAIM**

The ornamental design for a vehicle air bag compartment, as shown and described.

DESCRIPTION

FIG. 1 is a front elevational view of a vehicle air bag compartment, showing our new design;

FIG. 2 is a left side elevational view thereof;

FIG. 3 is a right side elevational view thereof;

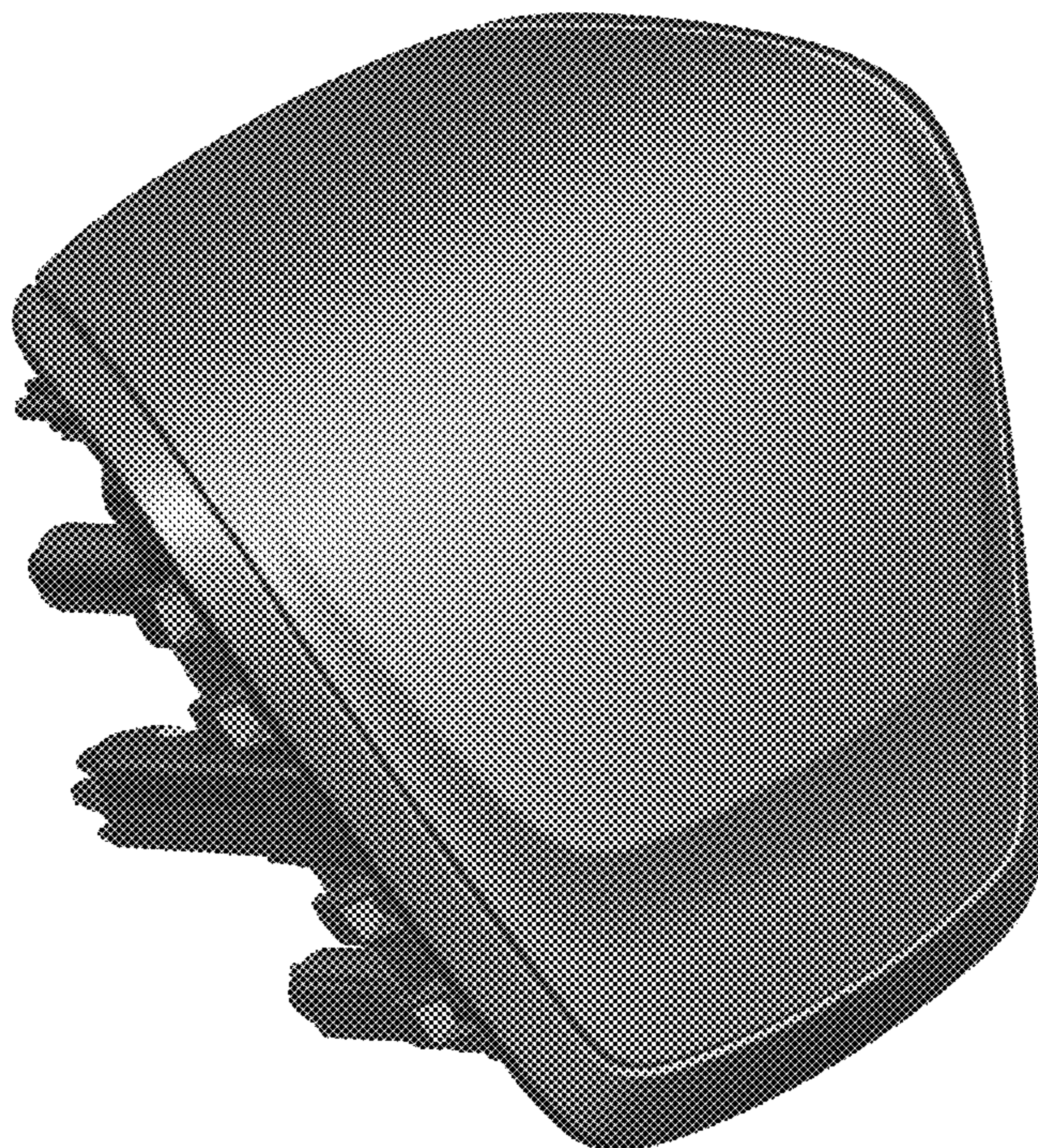
FIG. 4 is a top plan view thereof;

FIG. 5 is a bottom plan view thereof.

FIG. 6 is a top, front and left side perspective view thereof; and,

FIG. 7 is a bottom, front and left side perspective view thereof.

1 Claim, 7 Drawing Sheets



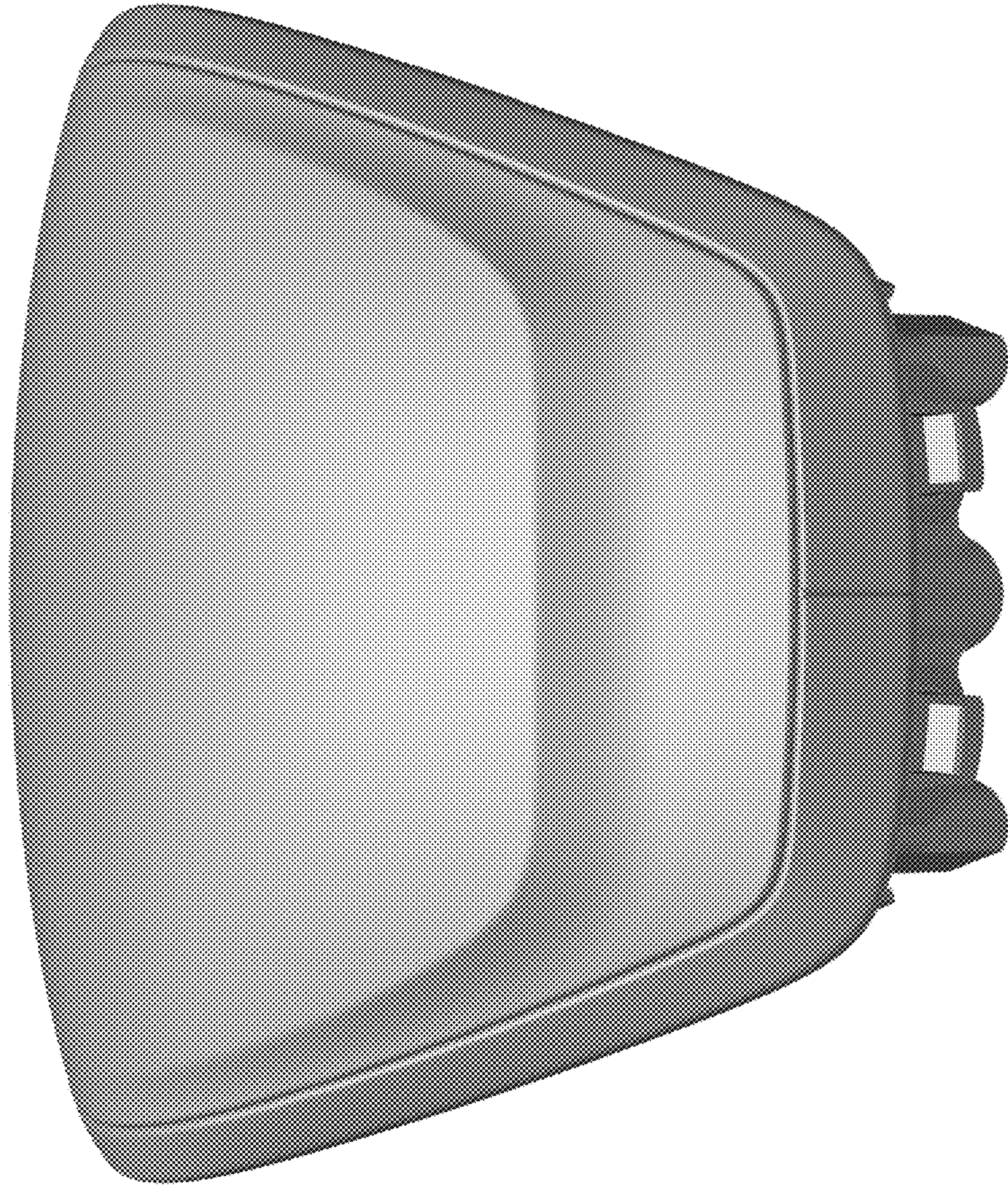


Fig. 1

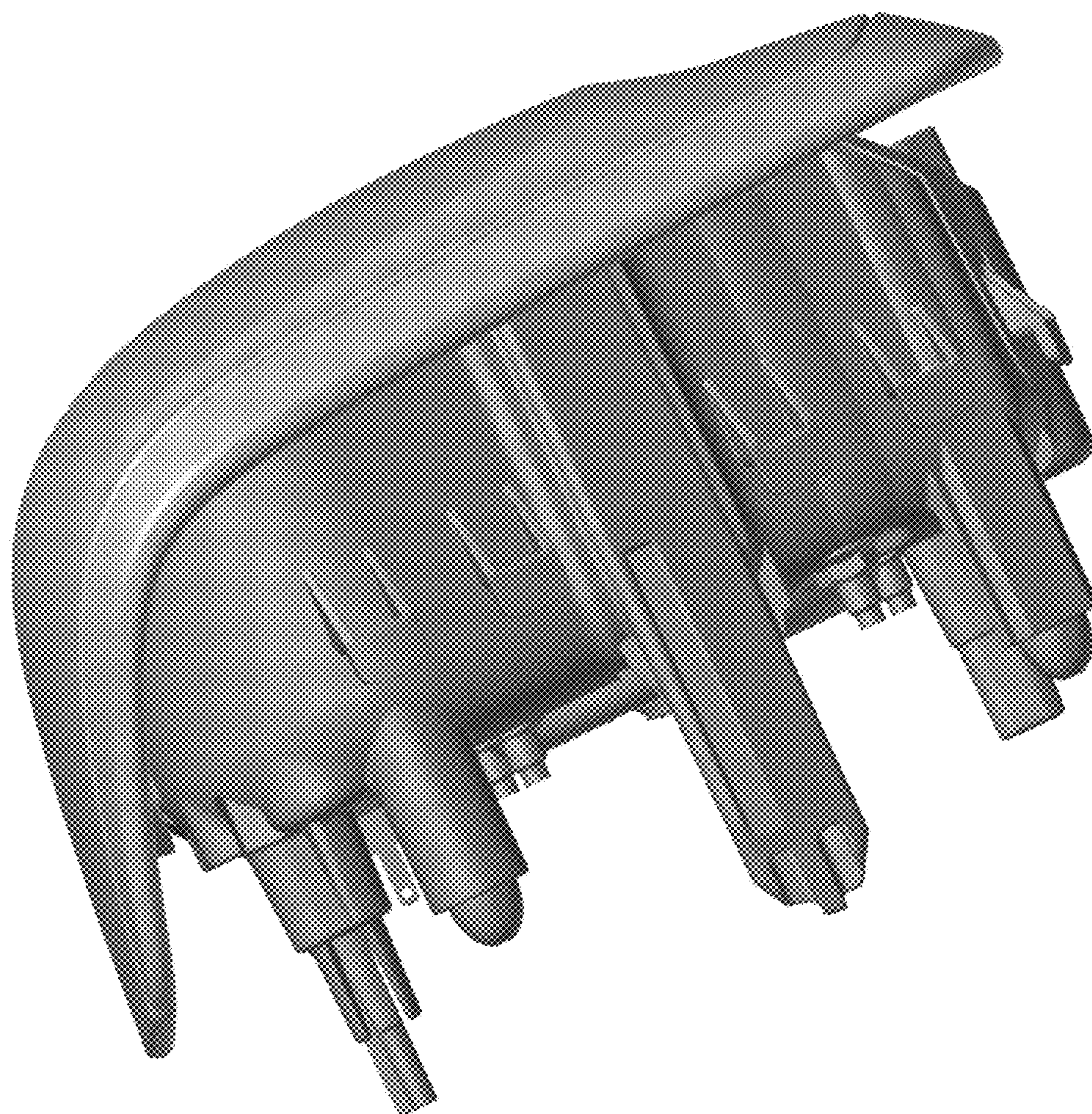


Fig. 2

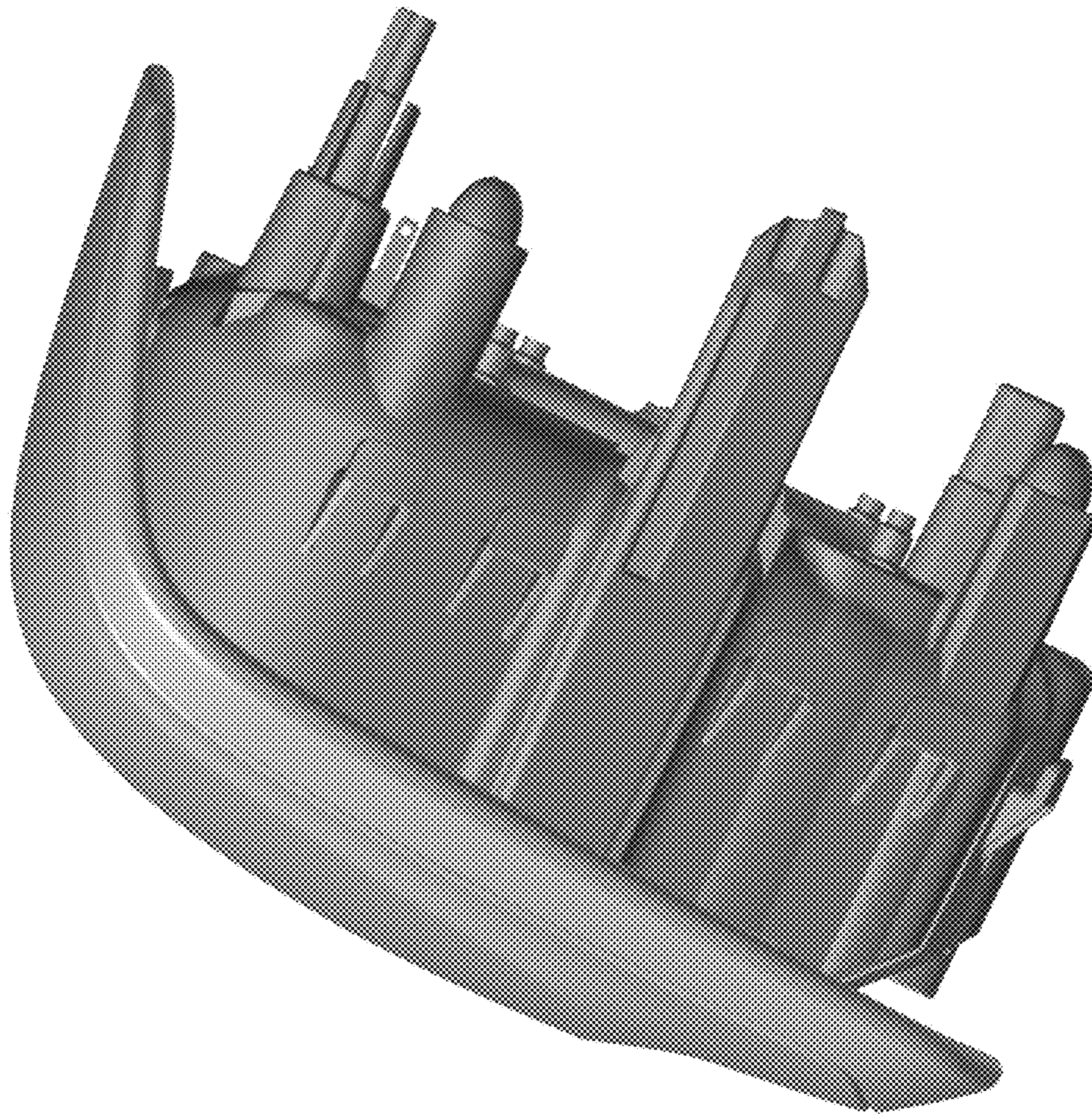


Fig. 3

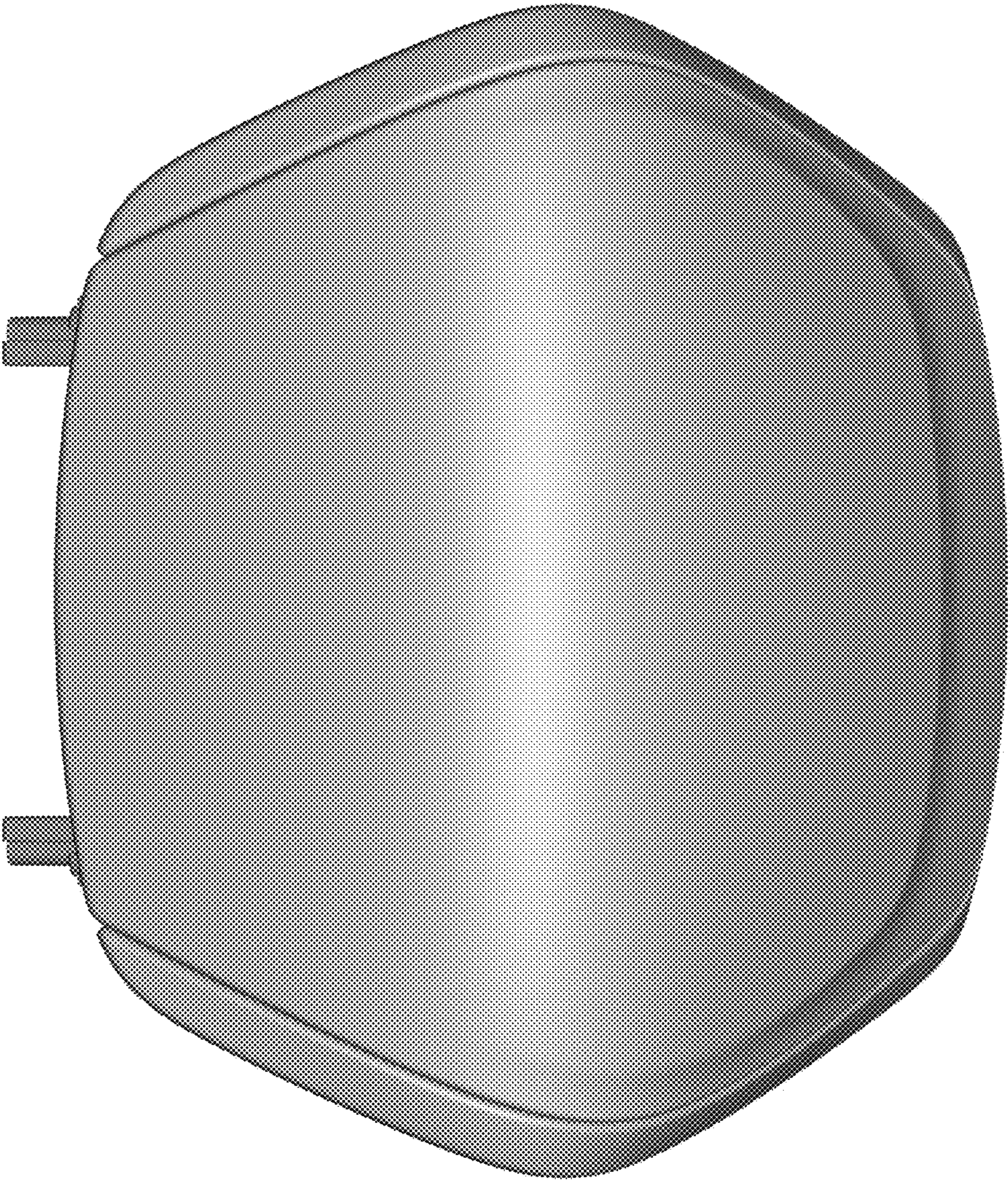


Fig. 4

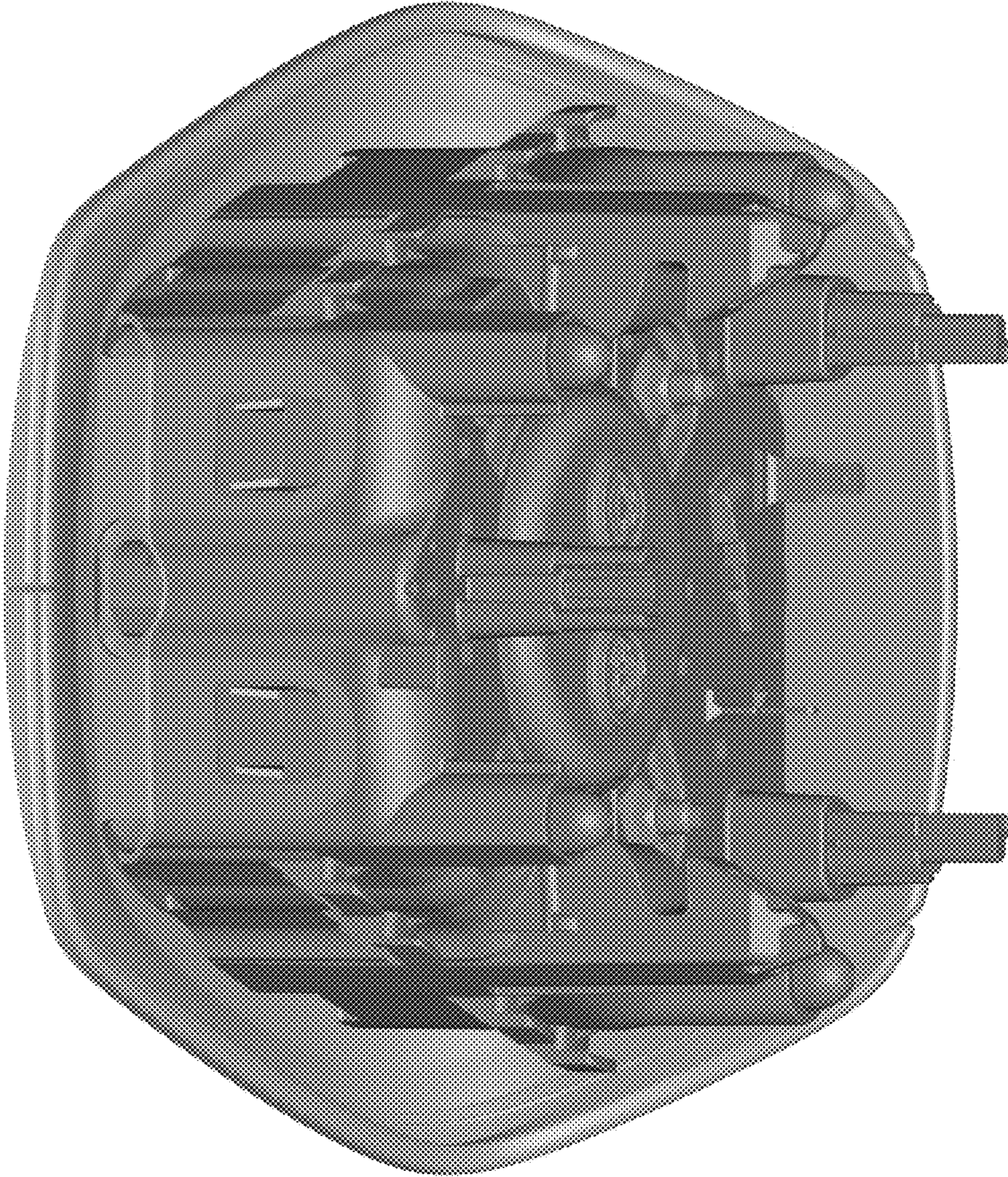


Fig. 5

Fig. 6

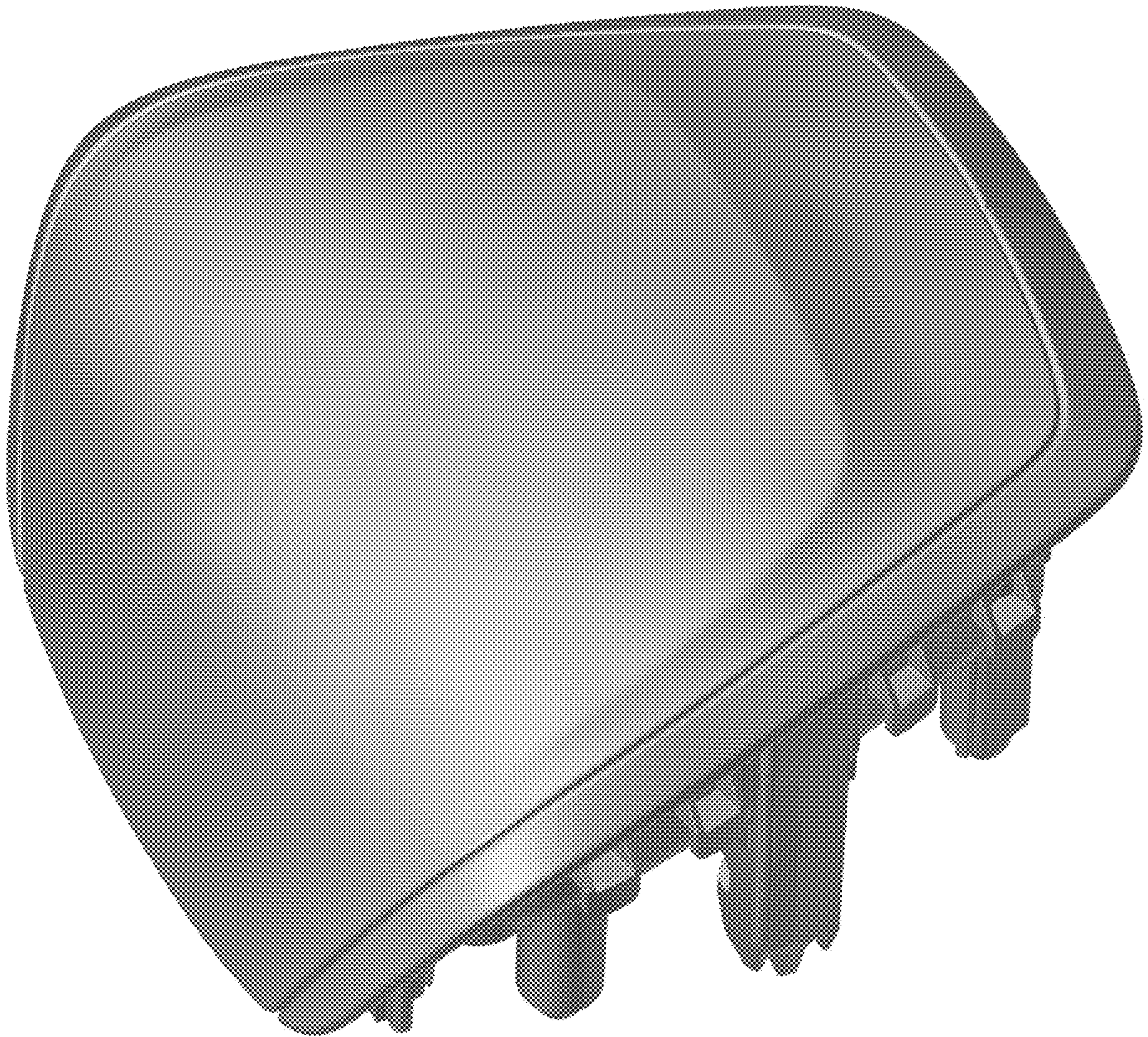


Fig. 7

