



US00D872663S

(12) **United States Design Patent**
Pollard

(10) **Patent No.:** **US D872,663 S**
(45) **Date of Patent:** **** Jan. 14, 2020**

(54) **VEHICLE HOOD**

DESCRIPTION

(71) Applicant: **Jaguar Land Rover Limited**, Whitley, Coventry (GB)

(72) Inventor: **Christopher Pollard**, Coventry (GB)

(73) Assignee: **Jaguar Land Rover Limited**, Whitley, Coventry (GB)

(**) Term: **15 Years**

(21) Appl. No.: **29/622,904**

(22) Filed: **Oct. 20, 2017**

(30) **Foreign Application Priority Data**

Apr. 21, 2017 (EM) 003866979

(51) **LOC (12) Cl.** **12-16**

(52) **U.S. Cl.**
USPC **D12/173**

(58) **Field of Classification Search**
USPC D12/86, 90-92, 173, 196

(Continued)

(56) **References Cited**

U.S. PATENT DOCUMENTS

D748,545 S * 2/2016 Behmer D12/173
D823,196 S * 7/2018 Behmer D12/173

(Continued)

OTHER PUBLICATIONS

<https://www.landroverusa.com/vehicles/range-rover-sport/svr/index.html> Apr. 1, 2019 (Year: 2019).*

Primary Examiner — Leanne Was-Englehart

(74) *Attorney, Agent, or Firm* — Wood Herron & Evans LLP

(57) **CLAIM**

The ornamental design for a vehicle hood, as shown and described.

FIG. 1 is a front right perspective view of a vehicle hood according to the present invention.

FIG. 2 is a front left perspective view of the vehicle hood shown in FIG. 1.

FIG. 3 is a rear left perspective view thereof.

FIG. 4 is a rear right perspective view thereof.

FIG. 5 is a front view thereof.

FIG. 6 is a front top perspective view thereof.

FIG. 7 is a rear view thereof.

FIG. 8 is a rear top perspective view thereof.

FIG. 9 is a right side view thereof.

FIG. 10 is a right top side perspective view thereof.

FIG. 11 is a left side view thereof.

FIG. 12 is a left top side perspective view thereof.

FIG. 13 is a top view thereof.

FIG. 14 is a bottom view thereof.

FIG. 15 is a top view of the vehicle hood shown in FIGS. 1-14, but mounted on a vehicle, with the rest of the vehicle shown in de-emphasized and half-tone portions to illustrate environmental structure.

More particularly, in FIG. 15, the inventive vehicle hood is shown within the broken line, and the elements shown outside the broken line form no part of the claimed invention, but are included to show environmental aspects thereof. FIG. 16 is a front right perspective view of a vehicle hood according to an alternative embodiment of the present invention.

FIG. 17 is a front left perspective view of the vehicle hood shown in FIG. 16.

FIG. 18 is a rear left perspective view thereof.

FIG. 19 is a rear right perspective view thereof.

FIG. 20 is a front view thereof.

FIG. 21 is a front top perspective view thereof.

FIG. 22 is a rear view thereof.

FIG. 23 is a rear top perspective view thereof.

FIG. 24 is a right side view thereof.

FIG. 25 is a right top side perspective view thereof.

FIG. 26 is a left side view thereof.

FIG. 27 is a left top side perspective view thereof.

FIG. 28 is a top view thereof.

FIG. 29 is a bottom view thereof; and,

(Continued)

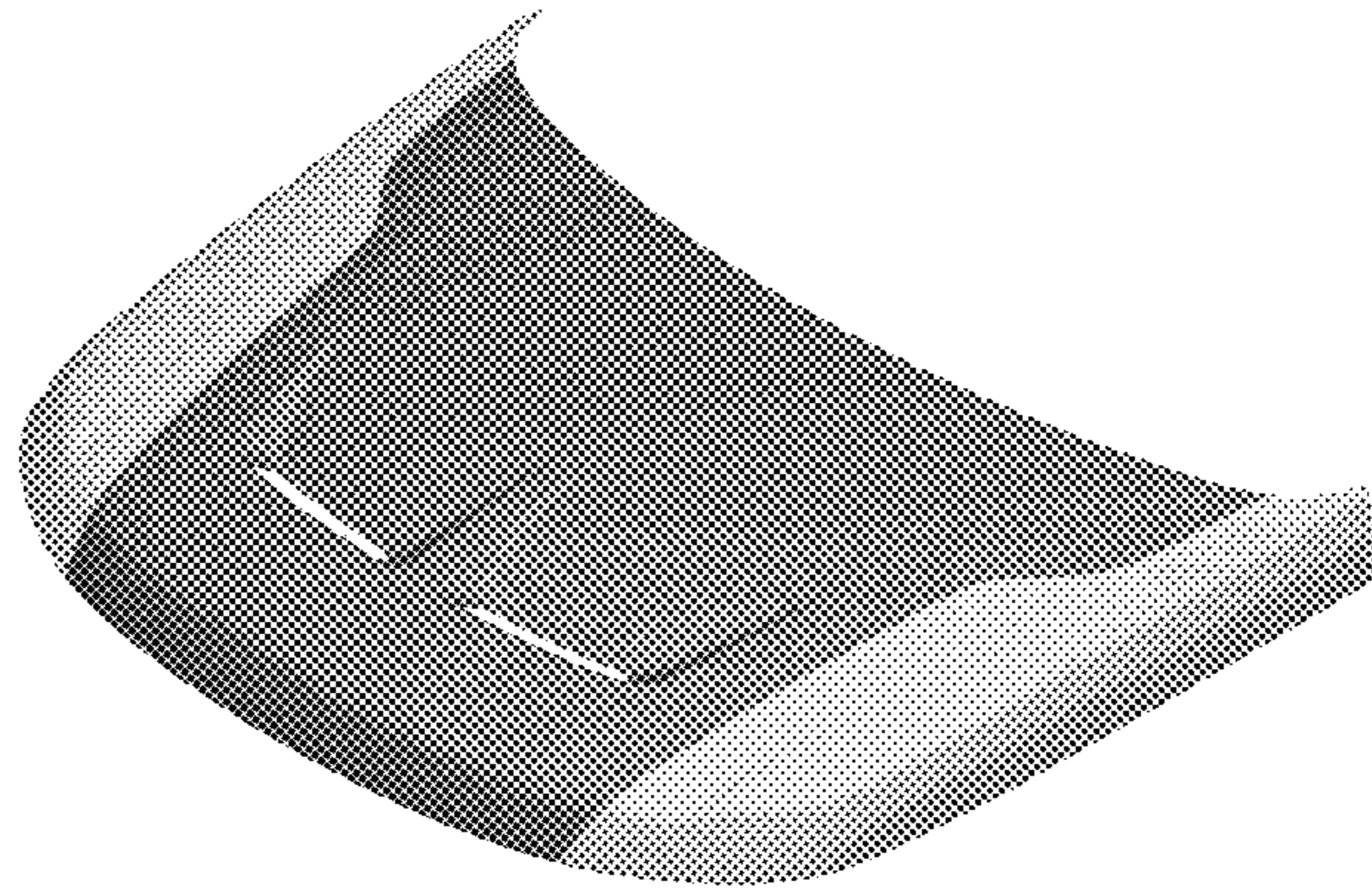
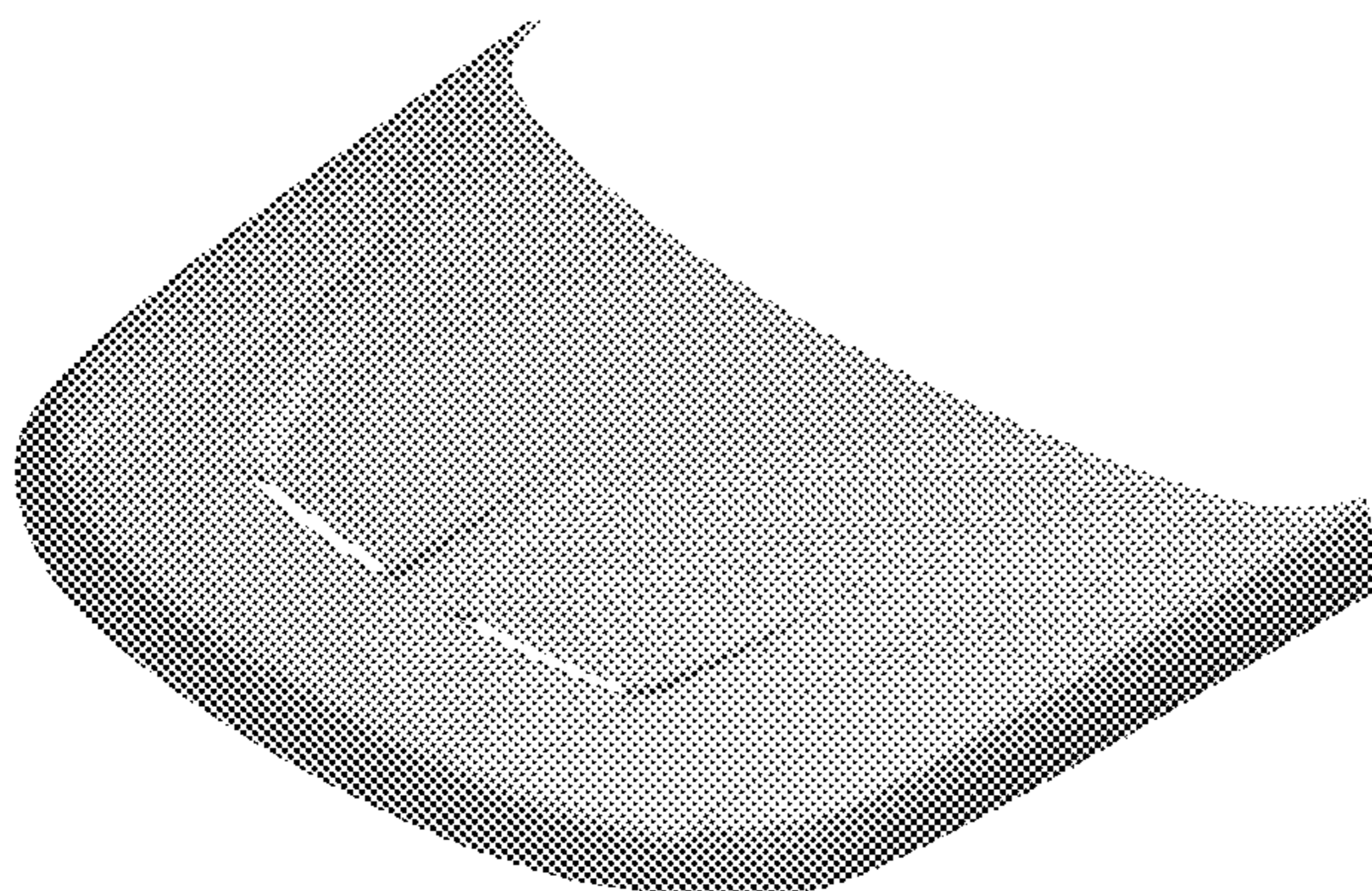


FIG. 30 is a top view of the vehicle hood shown in FIGS. 16-29, but mounted on a vehicle, with the rest of the vehicle shown in de-emphasized and half-tone portions to illustrate environmental structure.

More particularly, in FIG. 30, the inventive vehicle hood is shown within the broken line, and the elements shown outside the broken line form no part of the claimed invention, but are included to show environmental aspects thereof.

1 Claim, 30 Drawing Sheets

(58) **Field of Classification Search**

CPC B62D 25/06; B62D 25/10; B62D 25/12;
B62D 65/02; B60Q 1/00

See application file for complete search history.

(56) **References Cited**

U.S. PATENT DOCUMENTS

D824,825 S *	8/2018	Loeb	D12/173
D827,521 S *	9/2018	Simm	D12/173
D829,138 S *	9/2018	Granlund	D12/173
D836,046 S *	12/2018	Razaghi	D12/173

* cited by examiner

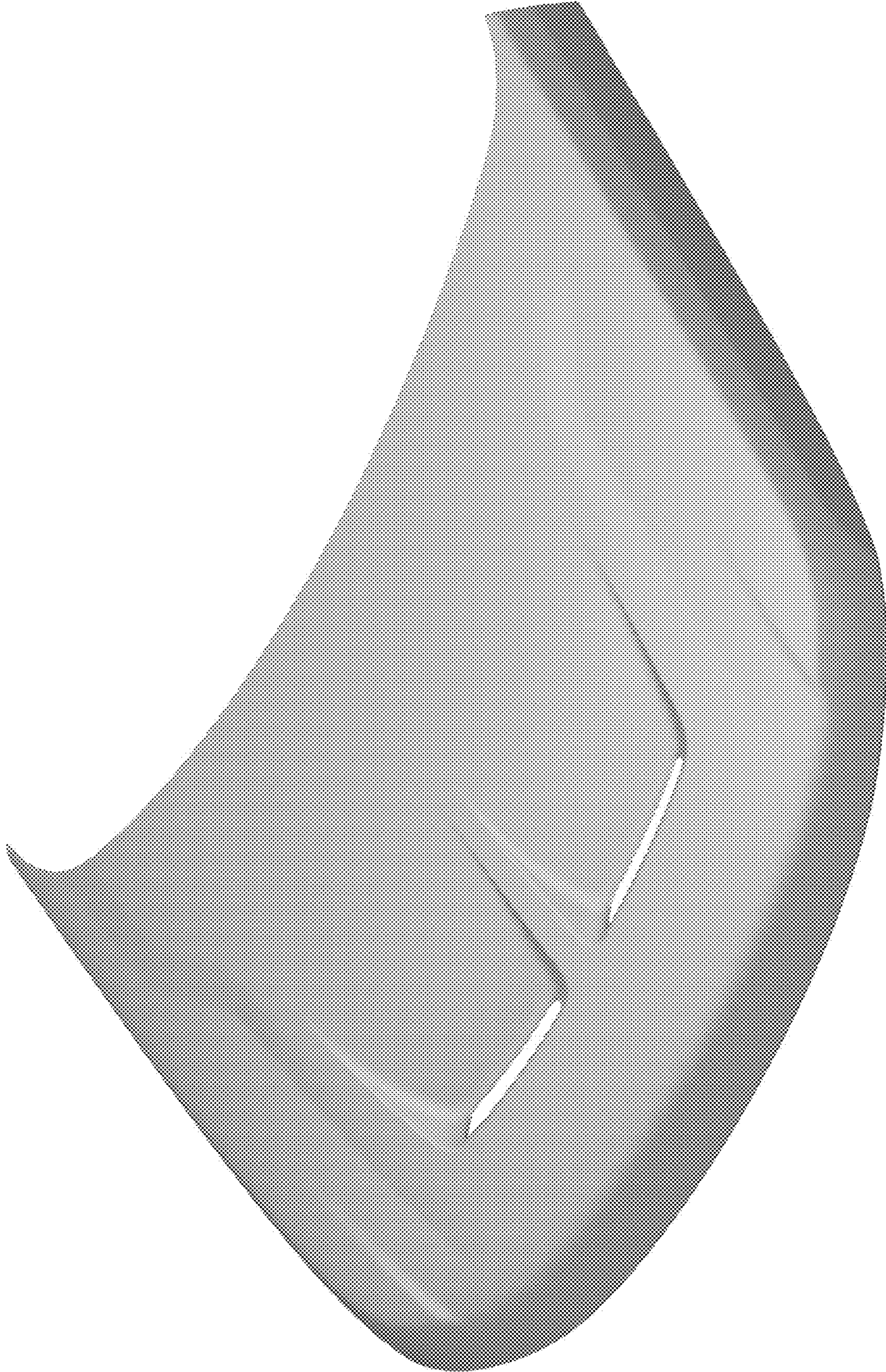


FIG. 1

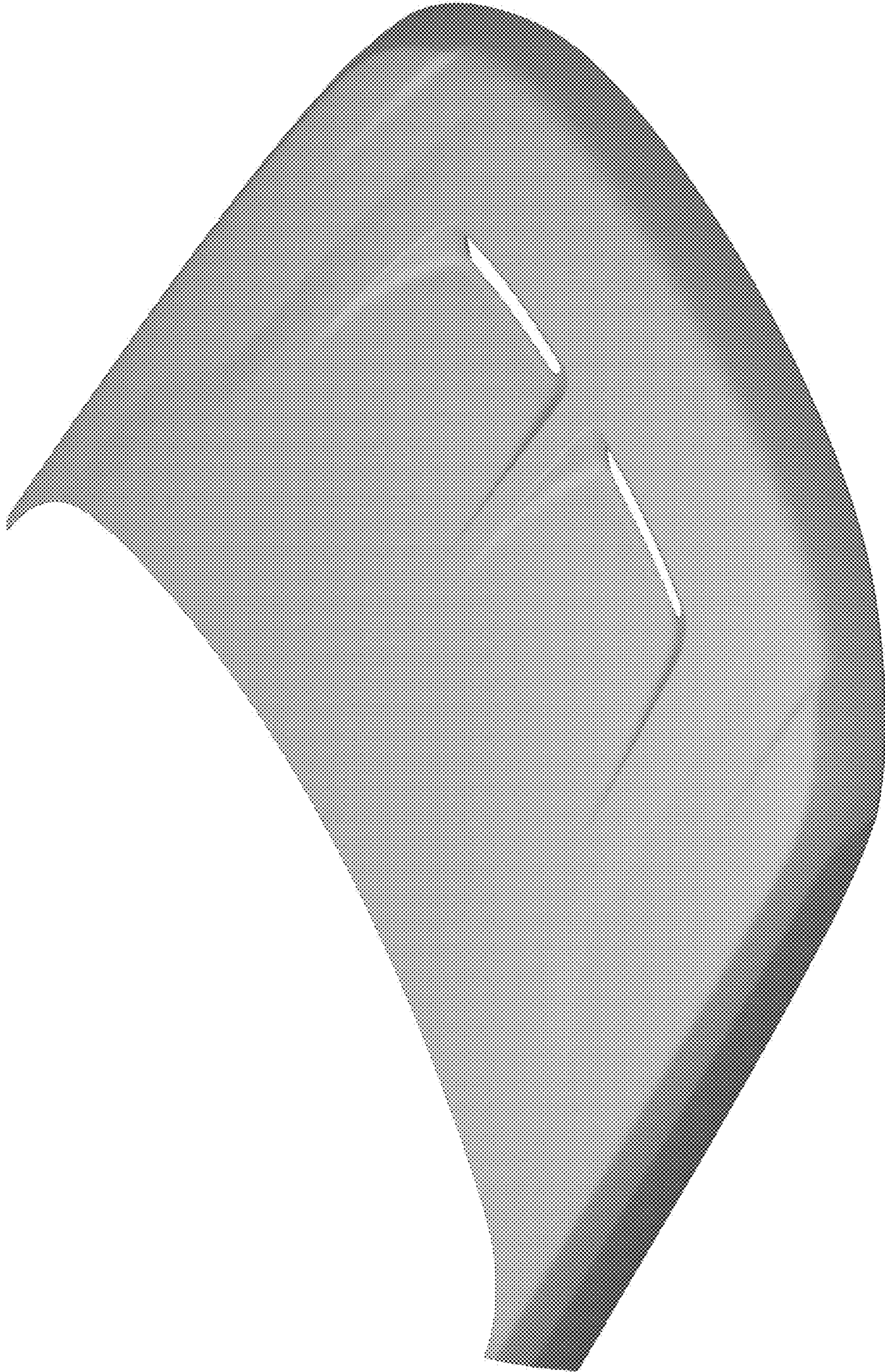


FIG. 2



FIG. 3

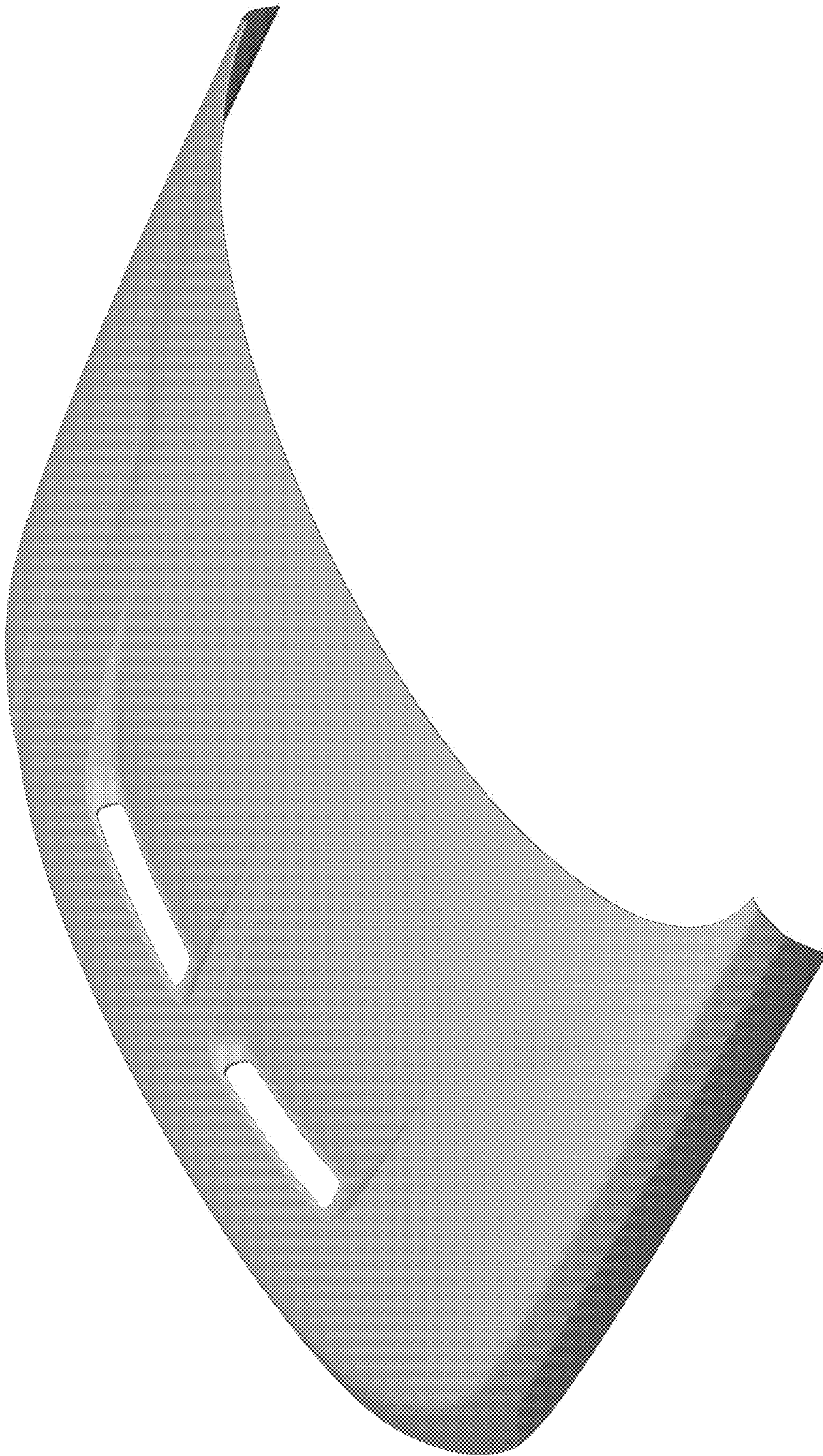


FIG. 4

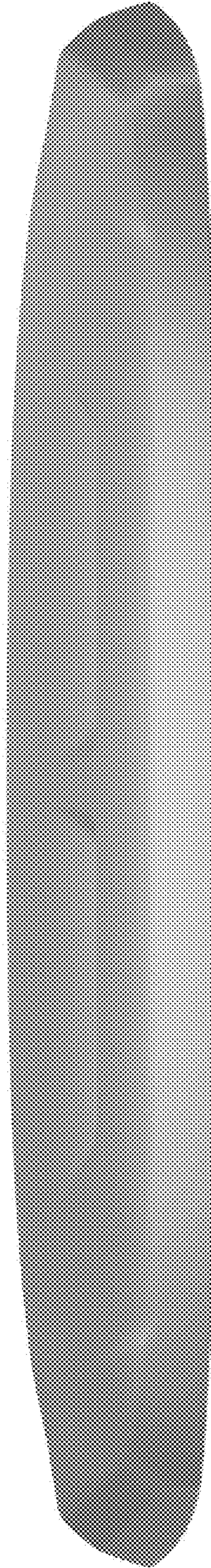


FIG. 5



FIG. 6

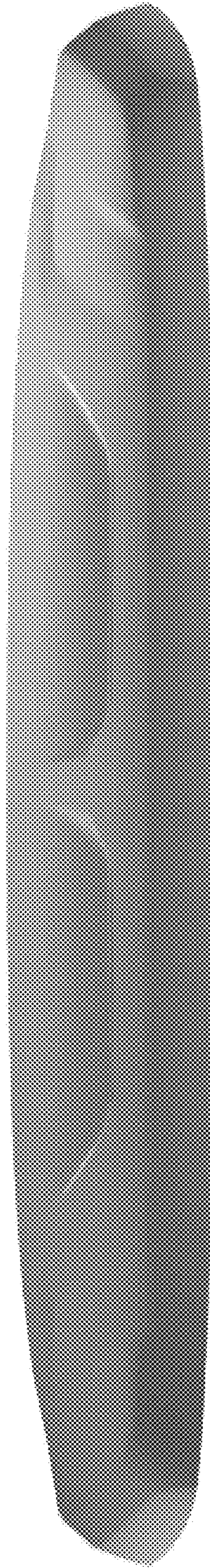


FIG. 7



FIG. 8

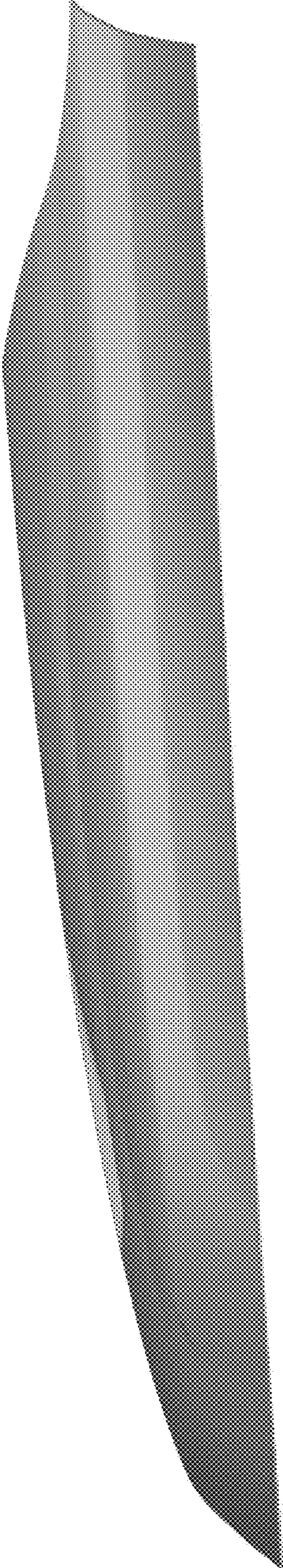


FIG. 9



FIG. 10

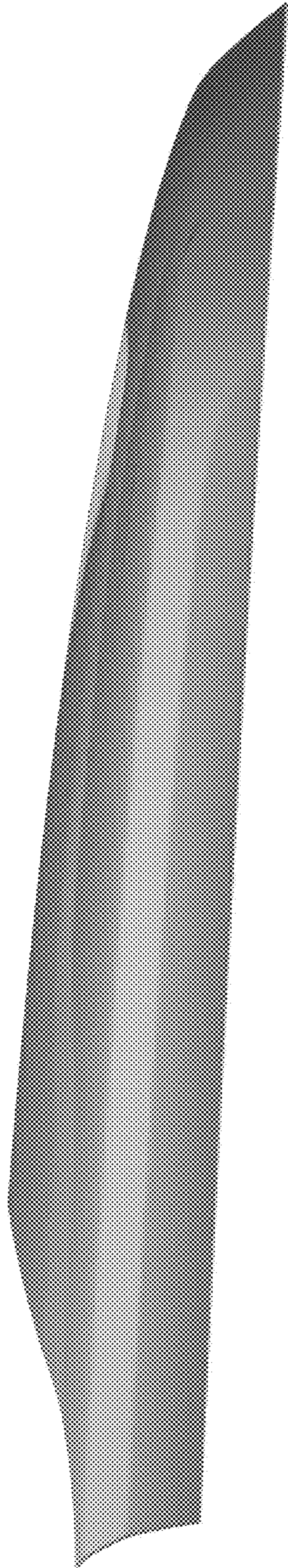


FIG. 11



FIG. 12



FIG. 13



FIG. 14

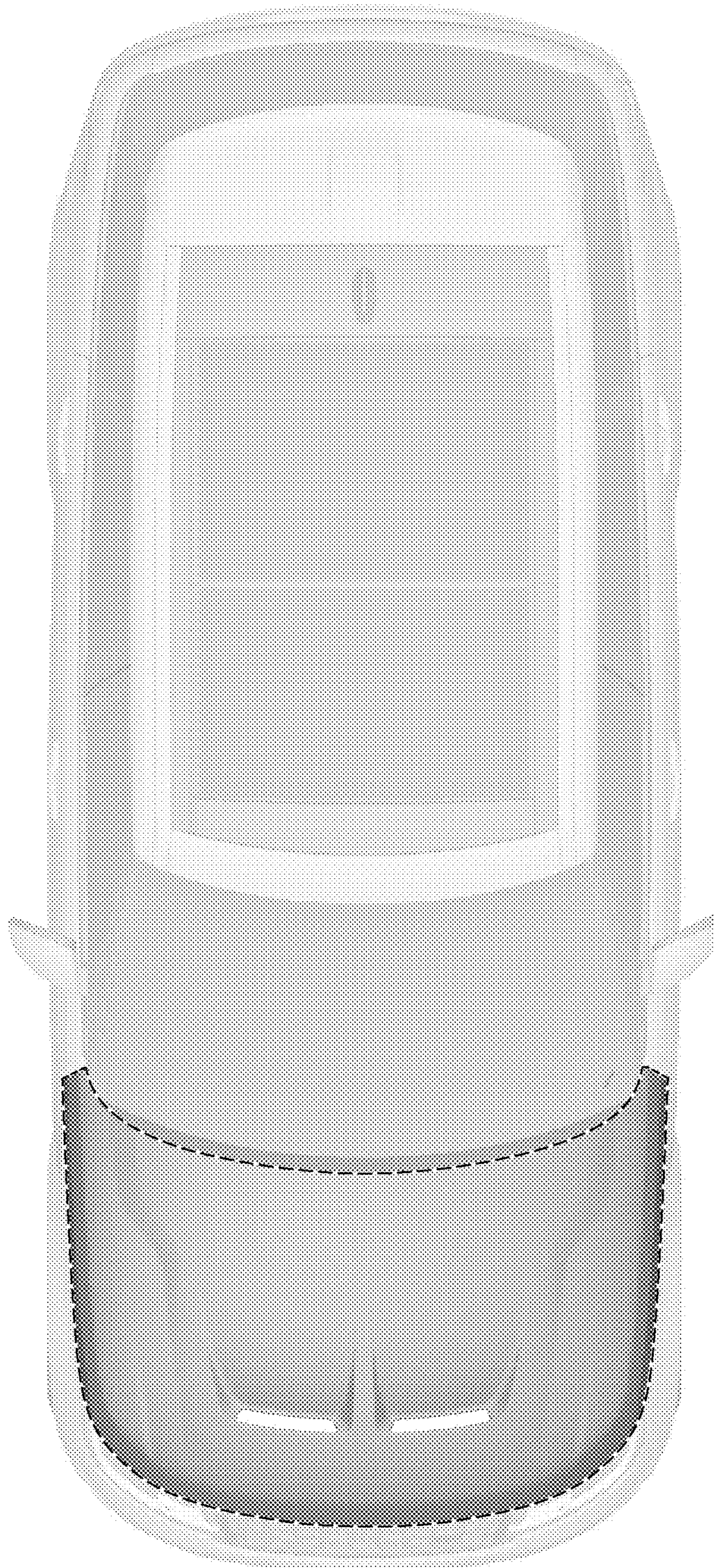


FIG. 15

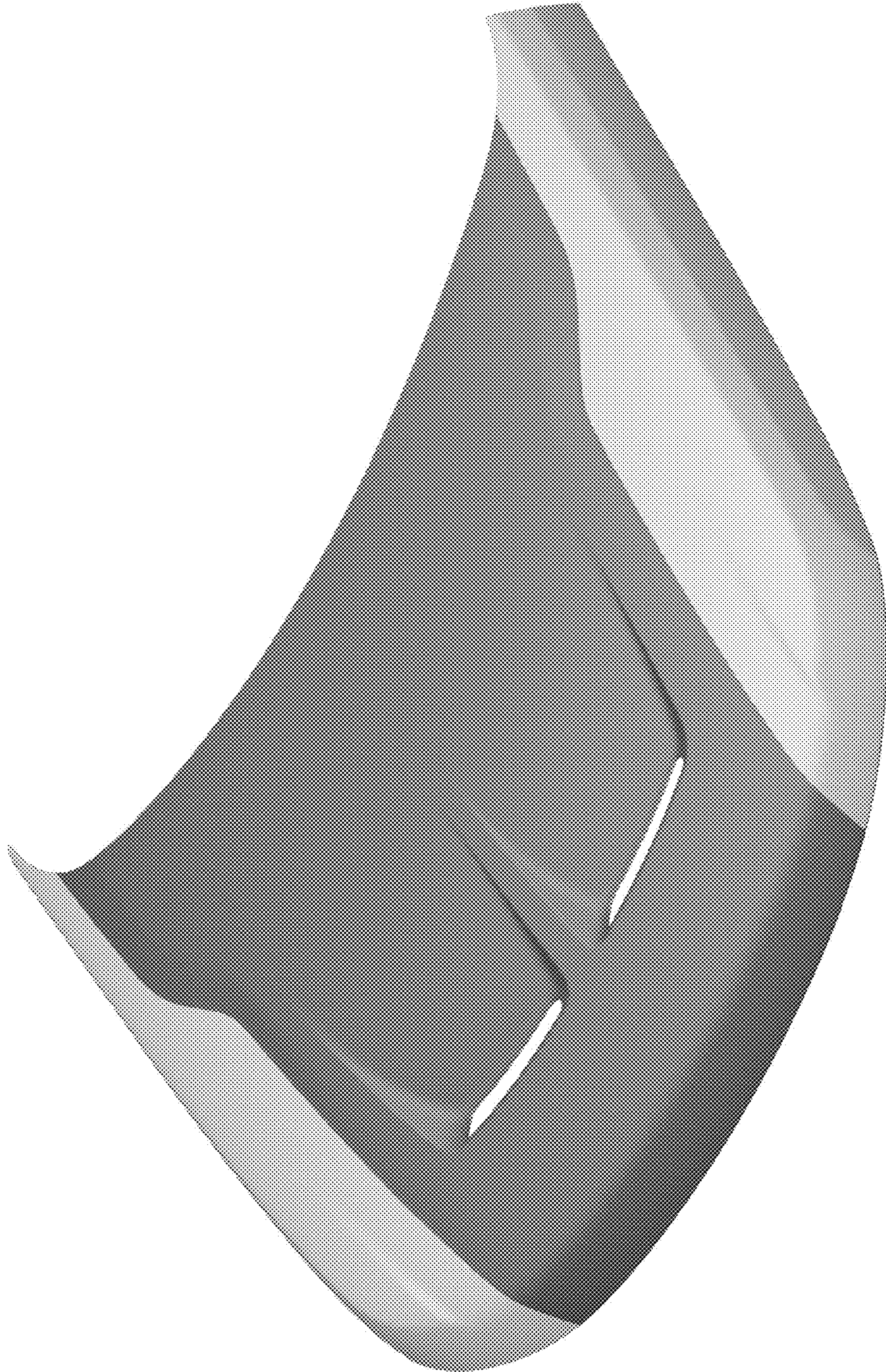


FIG. 16

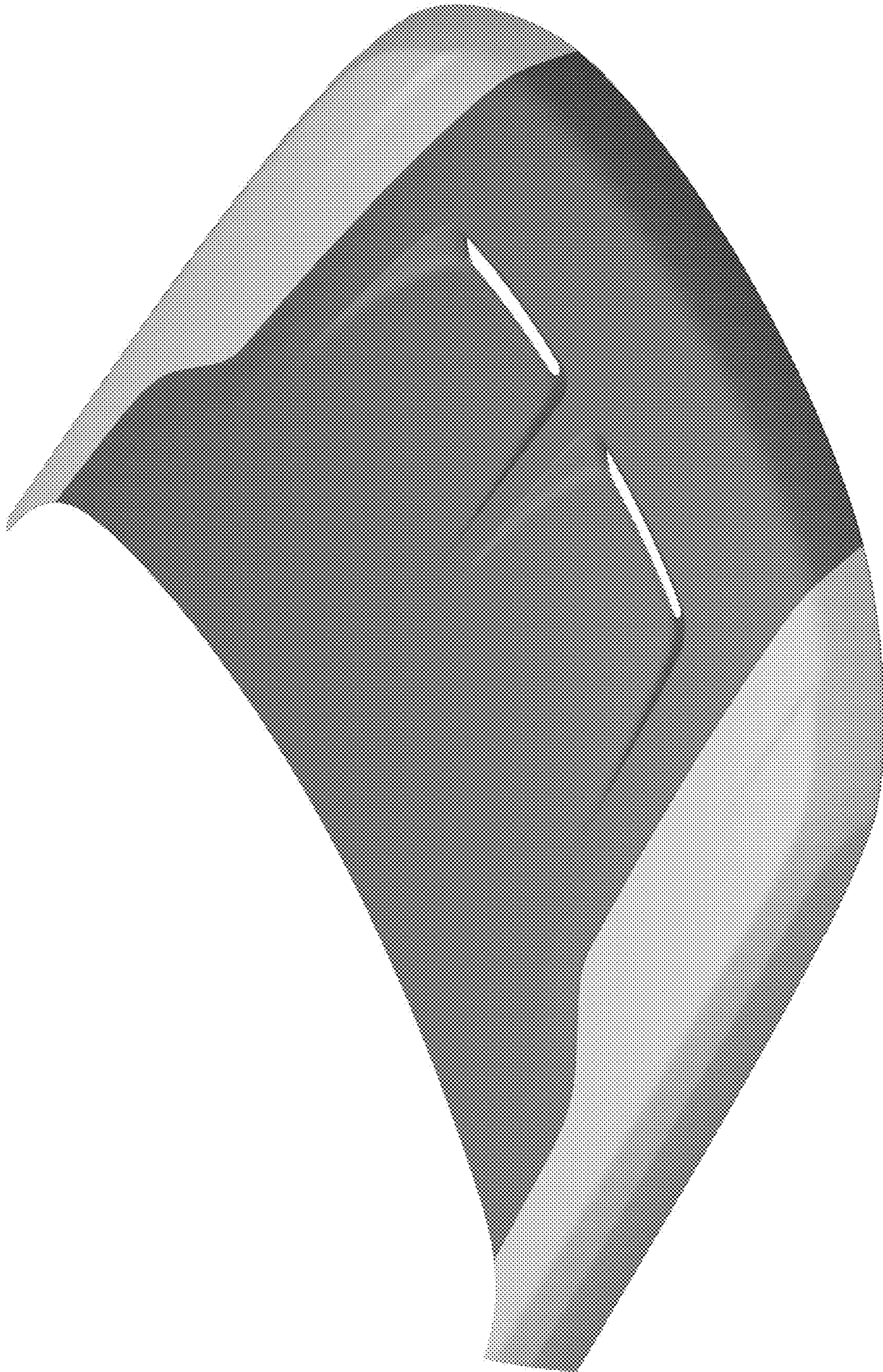


FIG. 17

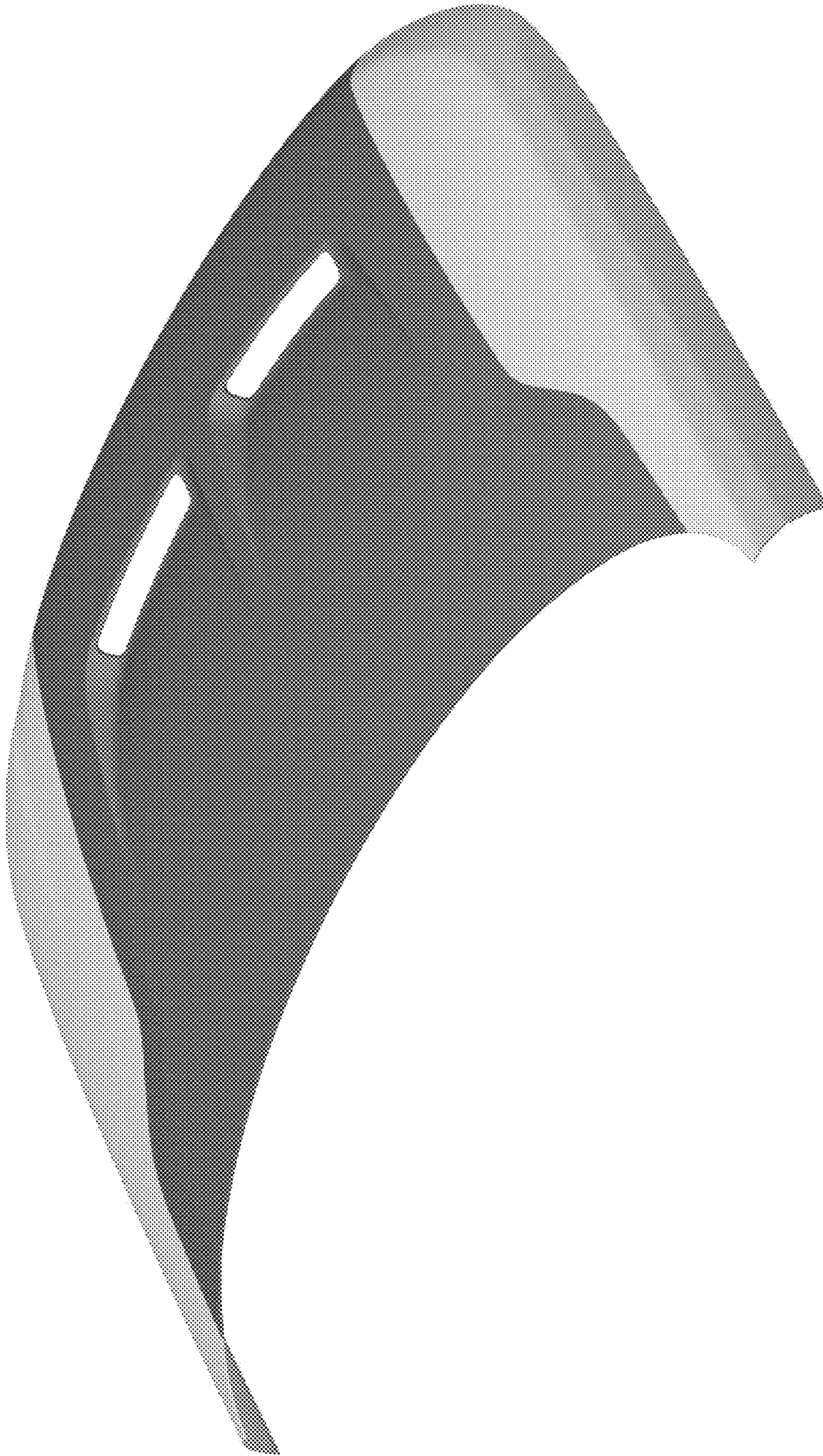


FIG. 18

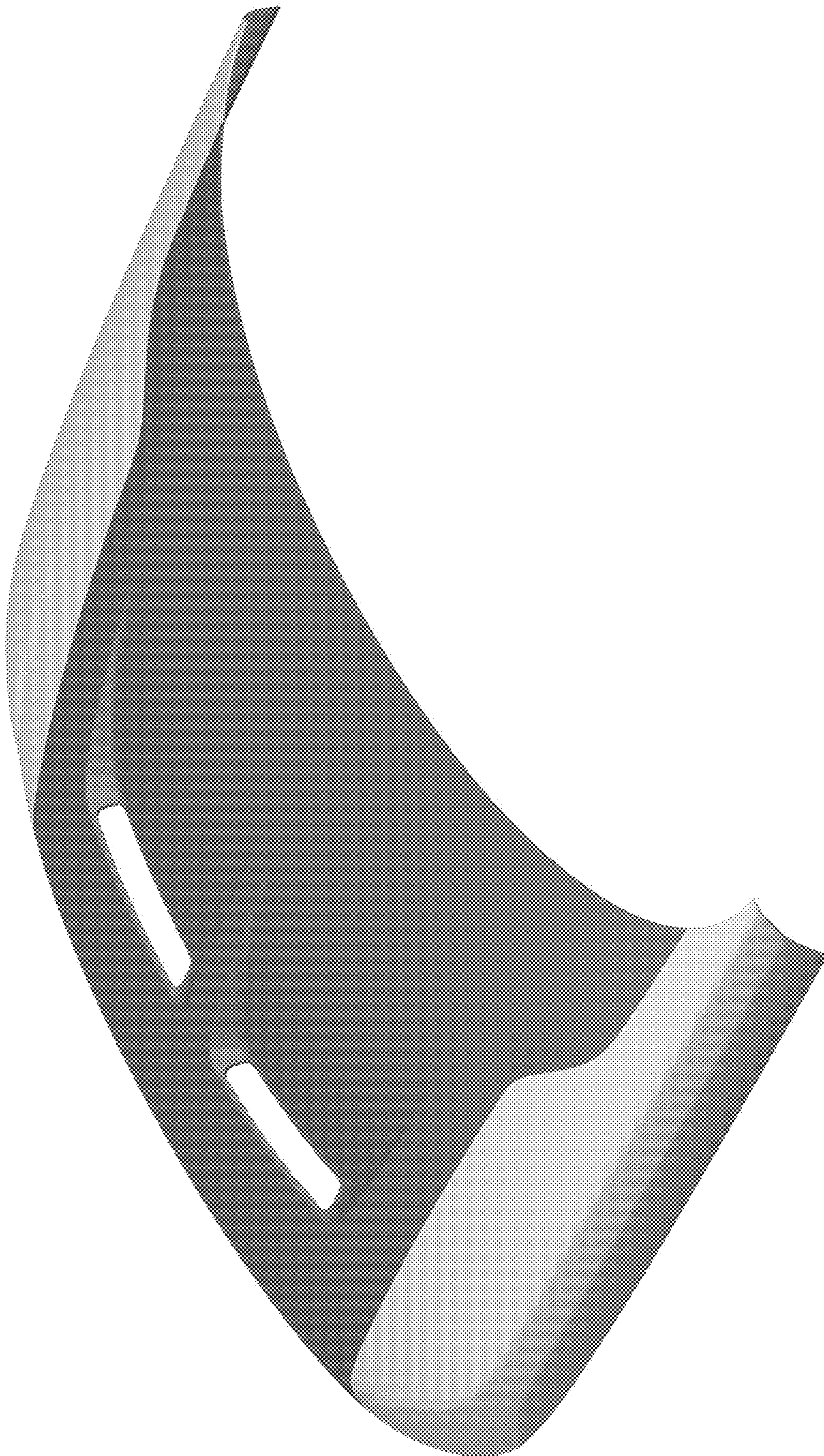


FIG. 19

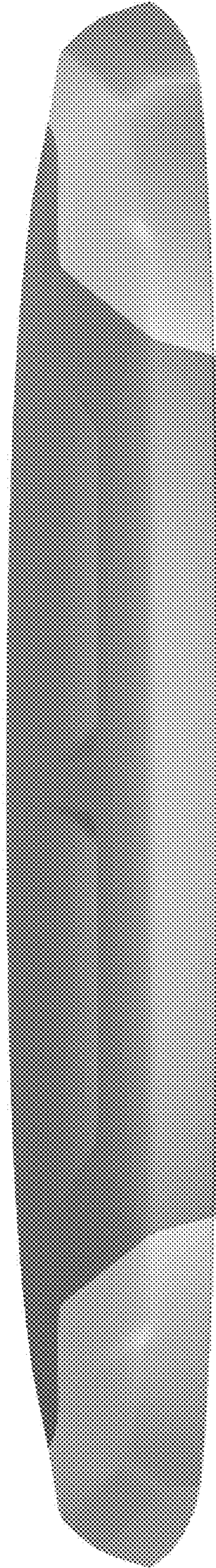


FIG. 20

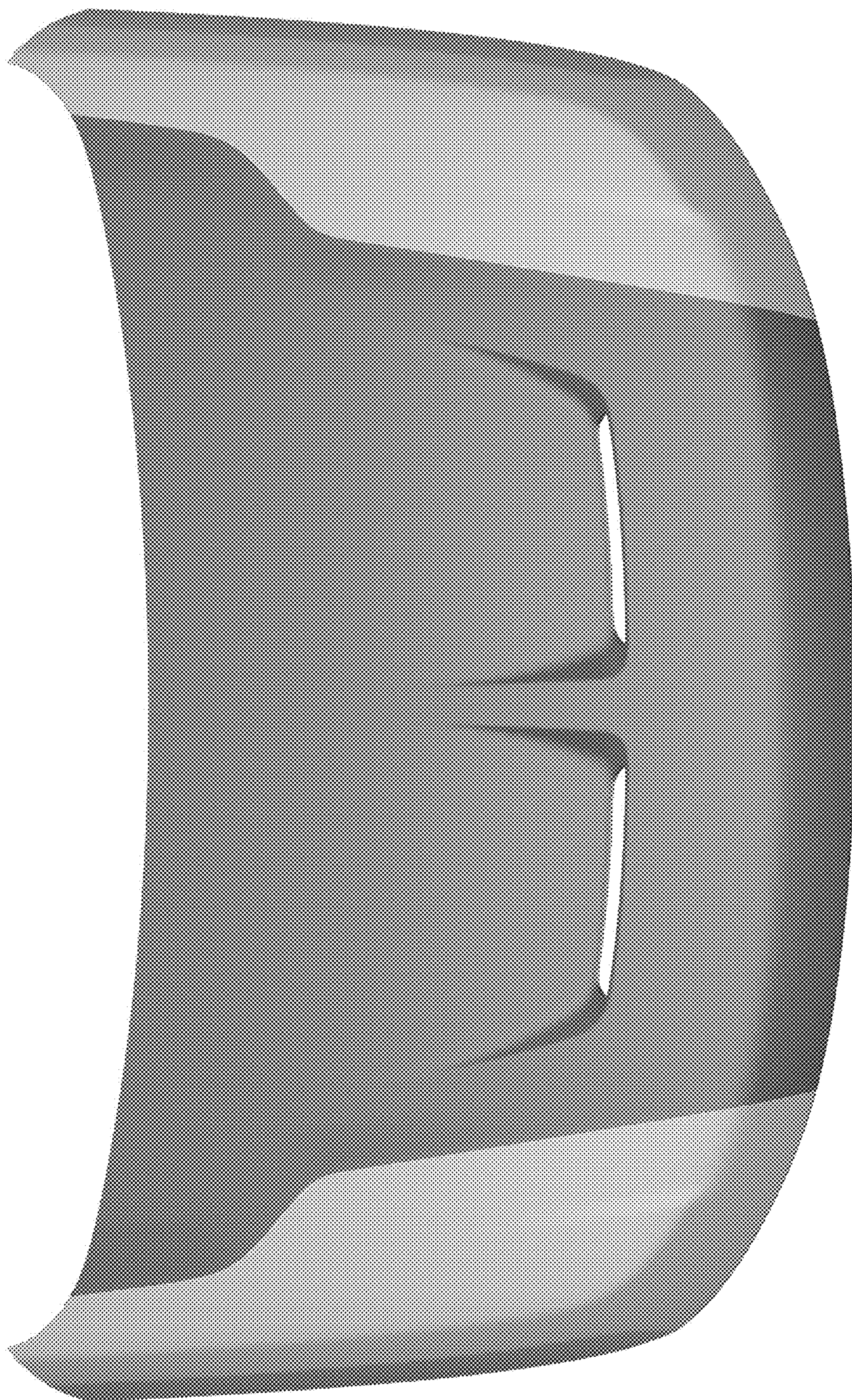


FIG. 21

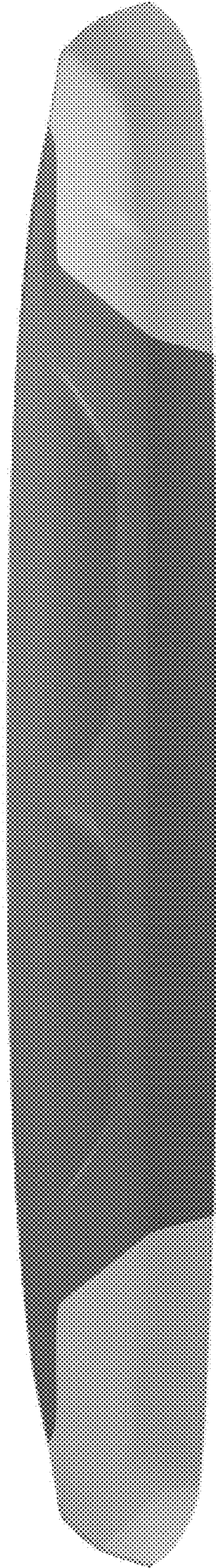


FIG. 22

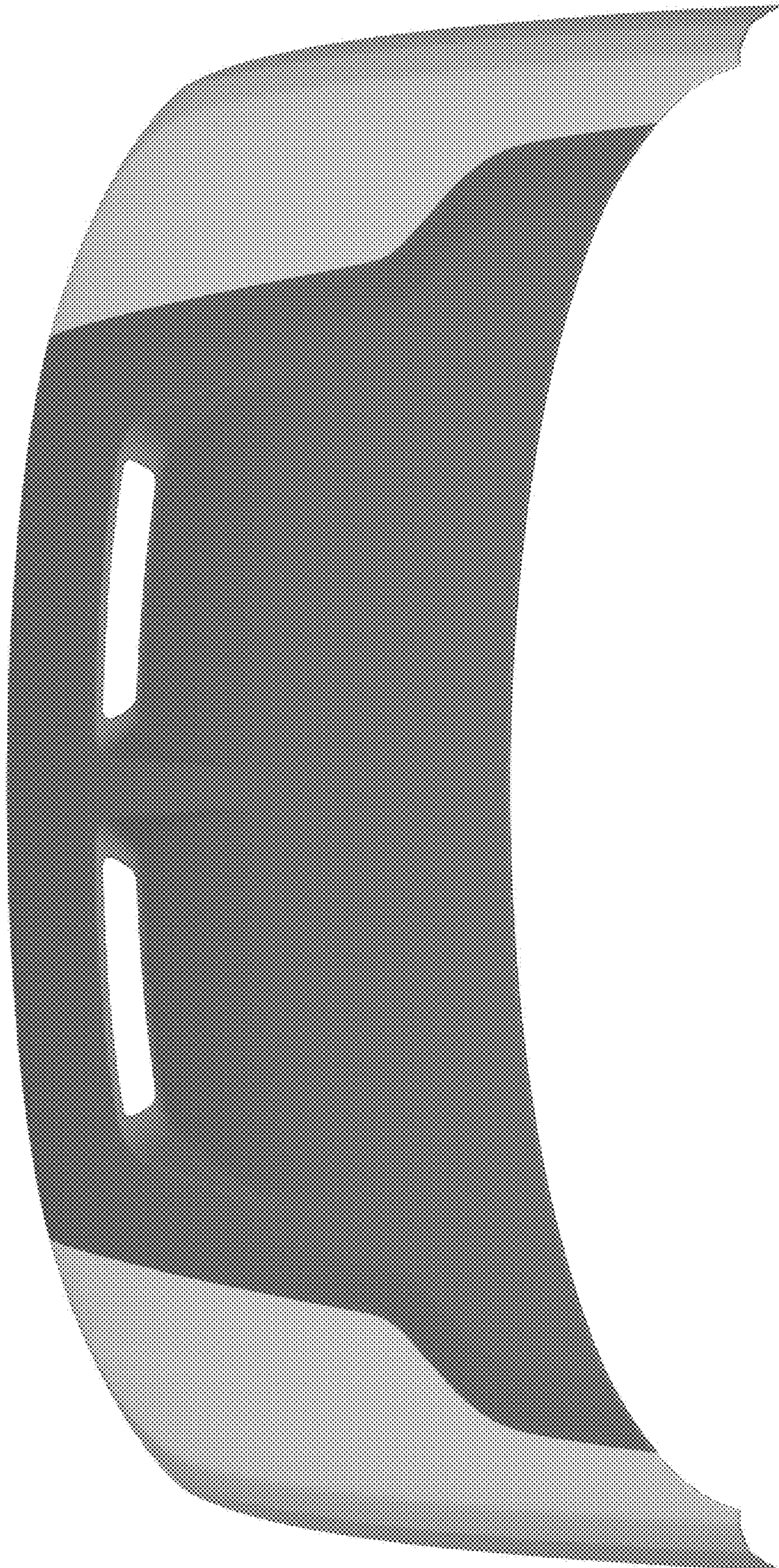


FIG. 23

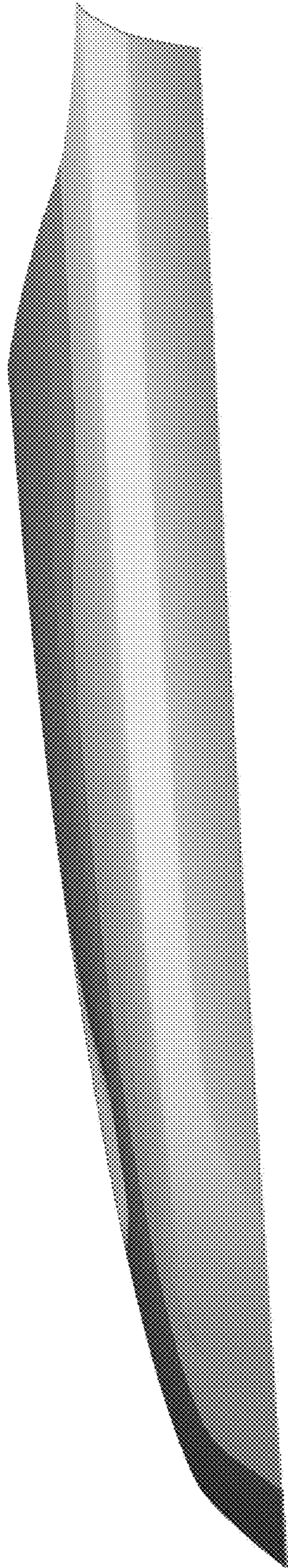


FIG. 24

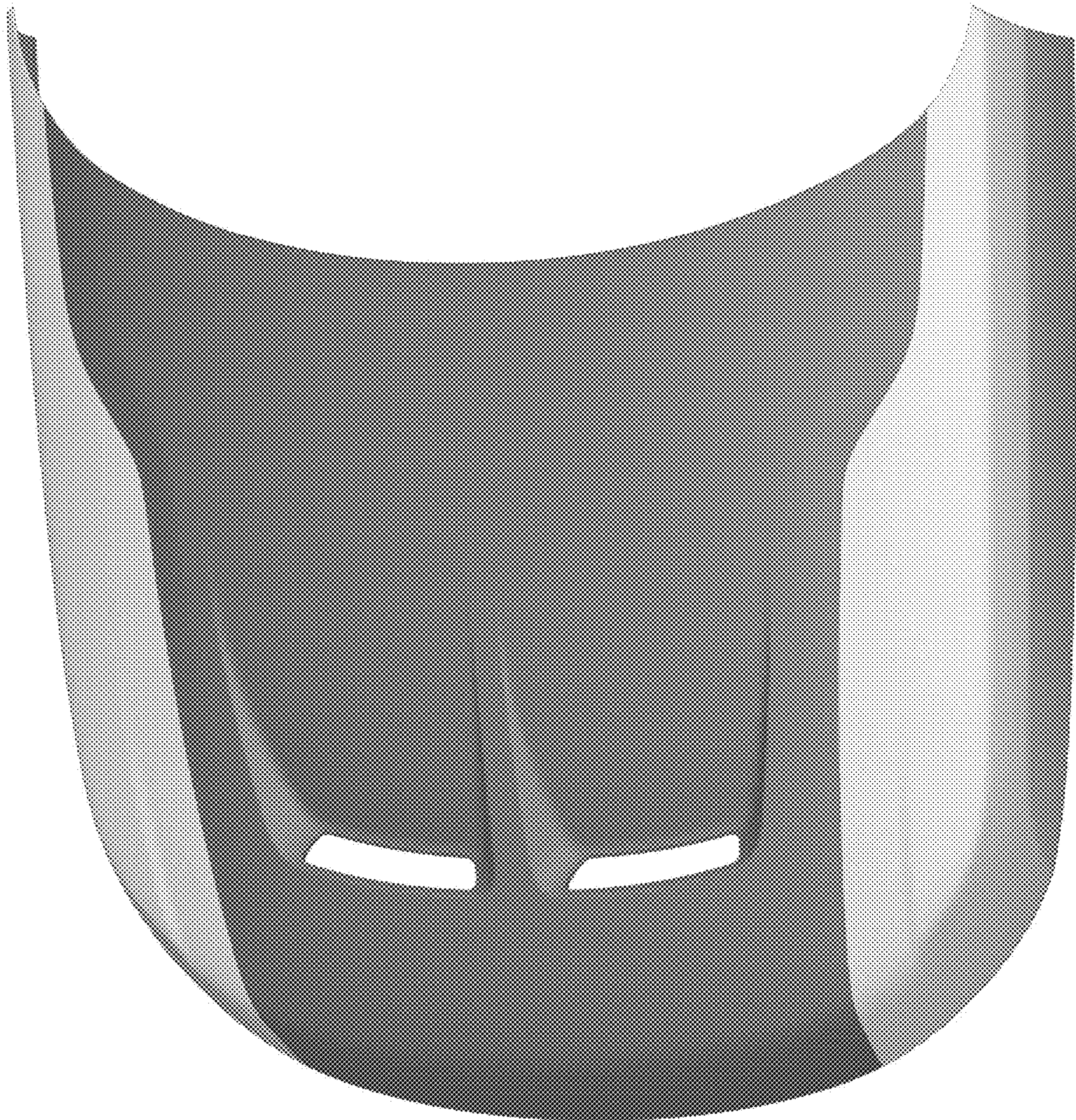


FIG. 25

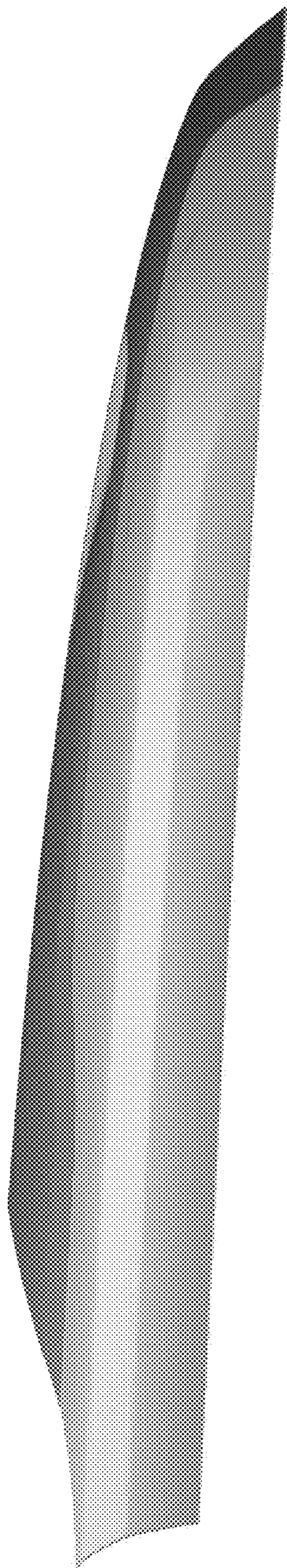


FIG. 26

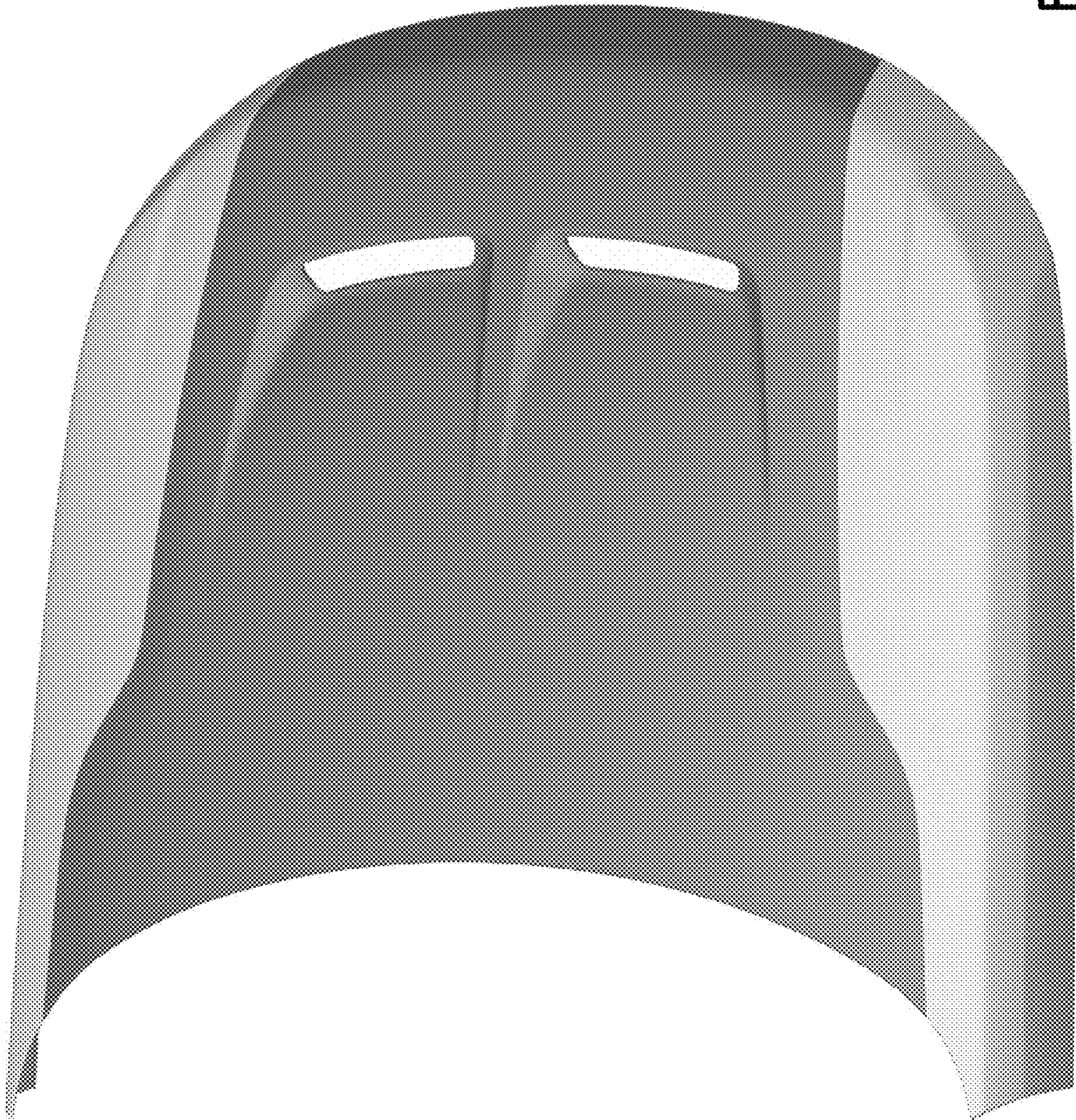


FIG. 27

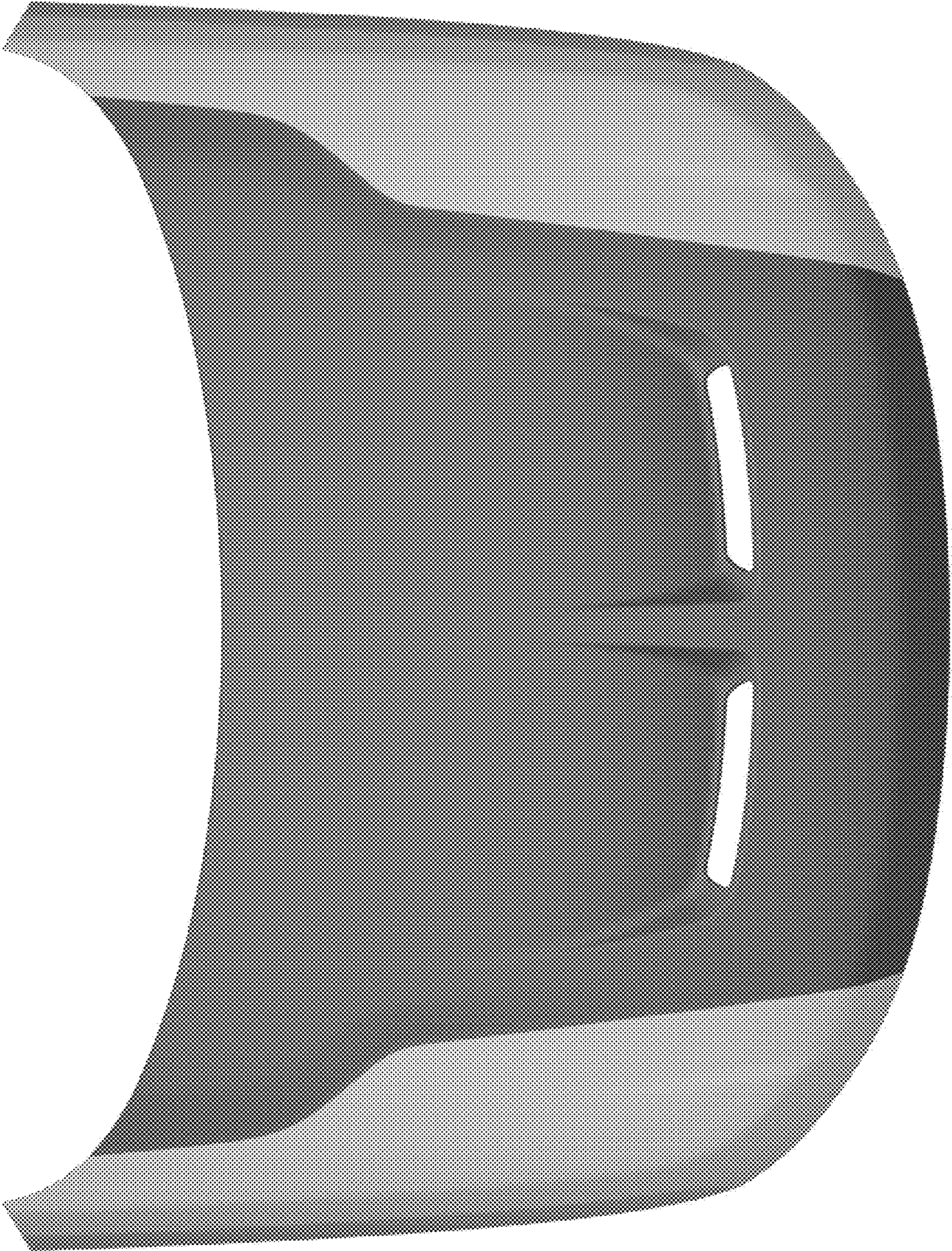


FIG. 28

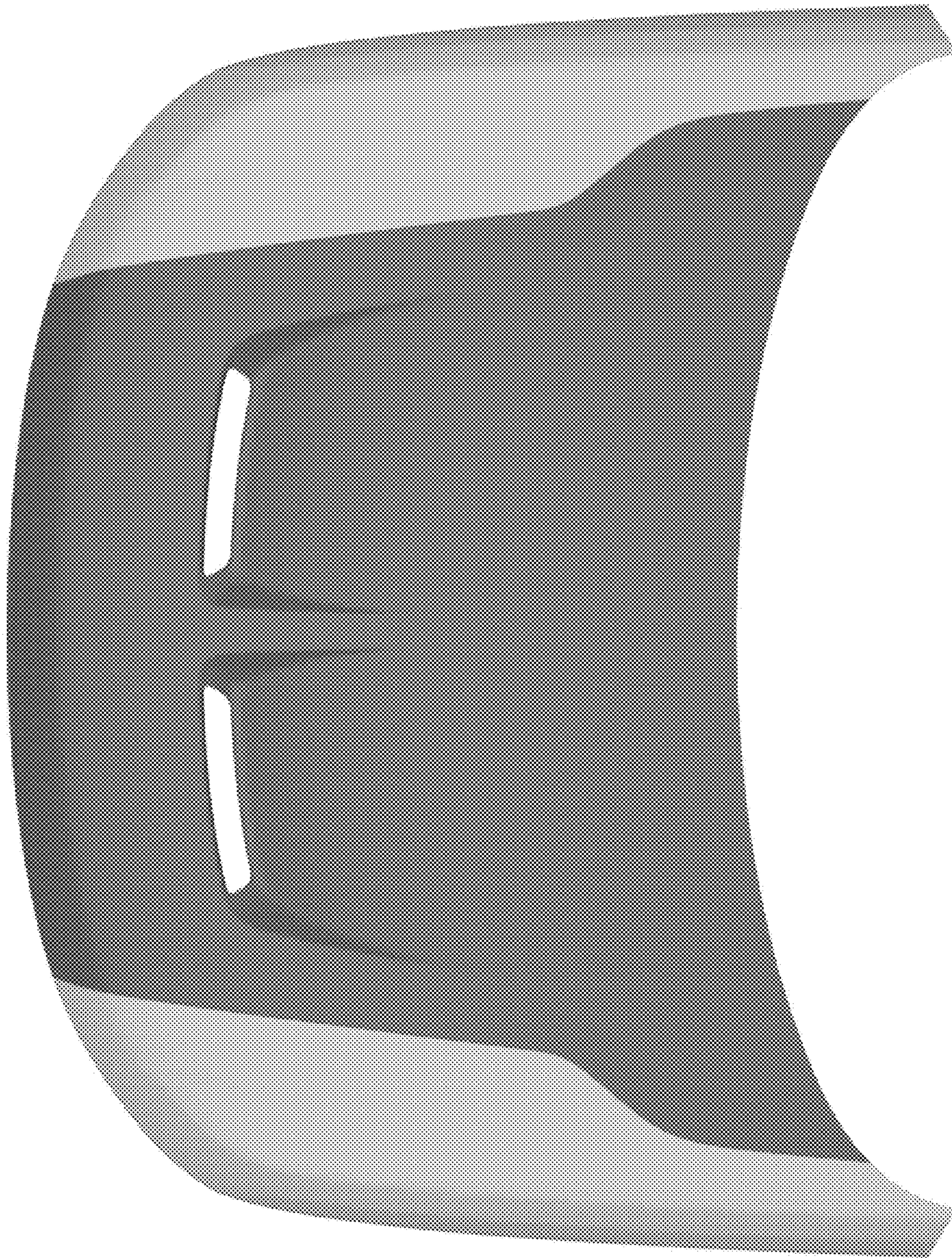


FIG. 29



FIG. 30