



US00D872662S

(12) **United States Design Patent**
Woodhouse et al.

(10) **Patent No.:** **US D872,662 S**

(45) **Date of Patent:** **** Jan. 14, 2020**

(54) **VEHICLE FRONT LOWER GRILLE**

(71) Applicant: **Ford Global Technologies, LLC,**
Dearborn, MI (US)

(72) Inventors: **David Woodhouse,** Troy, MI (US);
Kemal Curic, Irvine, CA (US); **Xitij**
Mistry, Ann Arbor, MI (US);
Gurminder Bhandal, Ferndale, MI
(US); **John C. Caswell,** Grosse Pointe,
MI (US)

(73) Assignee: **Ford Global Technologies, LLC,**
Dearborn, MI (US)

(**) Term: **15 Years**

(21) Appl. No.: **29/641,683**

(22) Filed: **Apr. 24, 2018**

(51) **LOC (12) Cl.** **12-16**

(52) **U.S. Cl.**
USPC **D12/169**

(58) **Field of Classification Search**
USPC D12/169, 196, 86, 90-92; 293/102, 113,
293/115, 117, 120; 296/180.1, 180.2
CPC B60R 19/02; B60R 19/04; B62D 25/08
See application file for complete search history.

(56) **References Cited**

U.S. PATENT DOCUMENTS

D668,593 S * 10/2012 Imai D12/169
D753,556 S * 4/2016 Wolff D12/163

D771,534 S * 11/2016 Bucher D12/169
D807,227 S * 1/2018 Chen D12/91
D827,511 S * 9/2018 Woodhouse D12/163
D839,140 S * 1/2019 Bucher D12/163
D856,862 S * 8/2019 Lucas D12/163
D860,883 S * 9/2019 Heo D12/167

* cited by examiner

Primary Examiner — Melody N Brown

(74) *Attorney, Agent, or Firm* — Vichit Chea

(57) **CLAIM**

The ornamental design for a vehicle front lower grille, as shown and described.

DESCRIPTION

FIG. 1 is a front elevational view of a vehicle front lower grille, showing our new design;
FIG. 2 is a left side elevational view thereof;
FIG. 3 is a right side elevational view thereof;
FIG. 4 is a top plan view thereof;
FIG. 5 is a bottom plan view thereof.
FIG. 6 is a bottom, front and left side perspective view thereof;
FIG. 7 is a top, front and left side perspective view thereof;
FIG. 8 is a front elevational view of a second embodiment of a vehicle front lower grille, showing our new design; and,
FIG. 9 is a bottom, front and left side perspective view of FIG. 8.

1 Claim, 9 Drawing Sheets



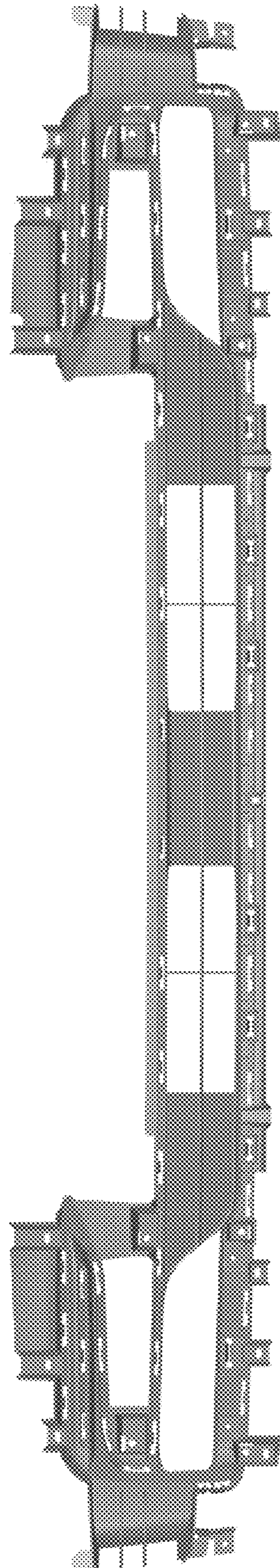


Fig. 1

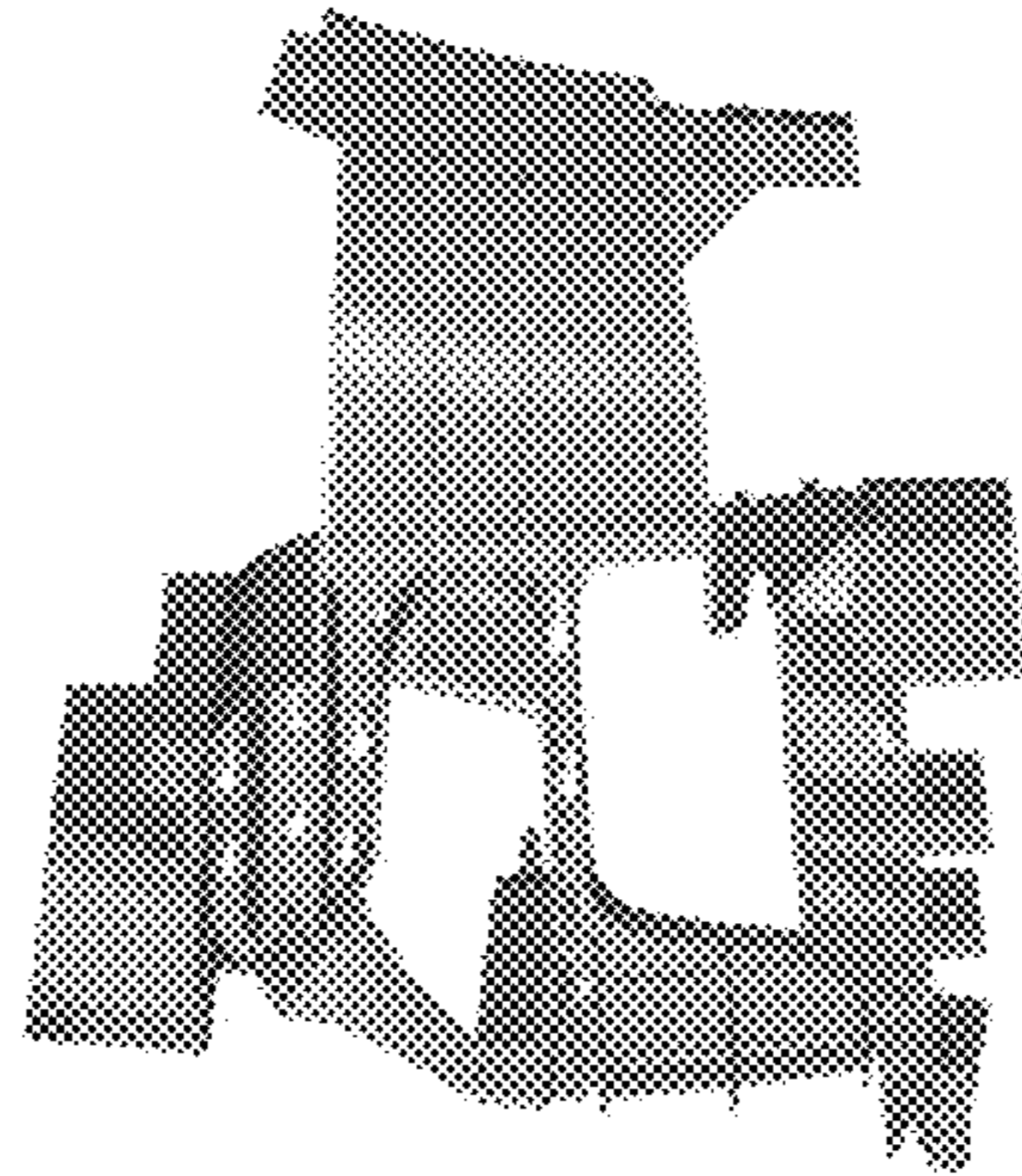


Fig. 2

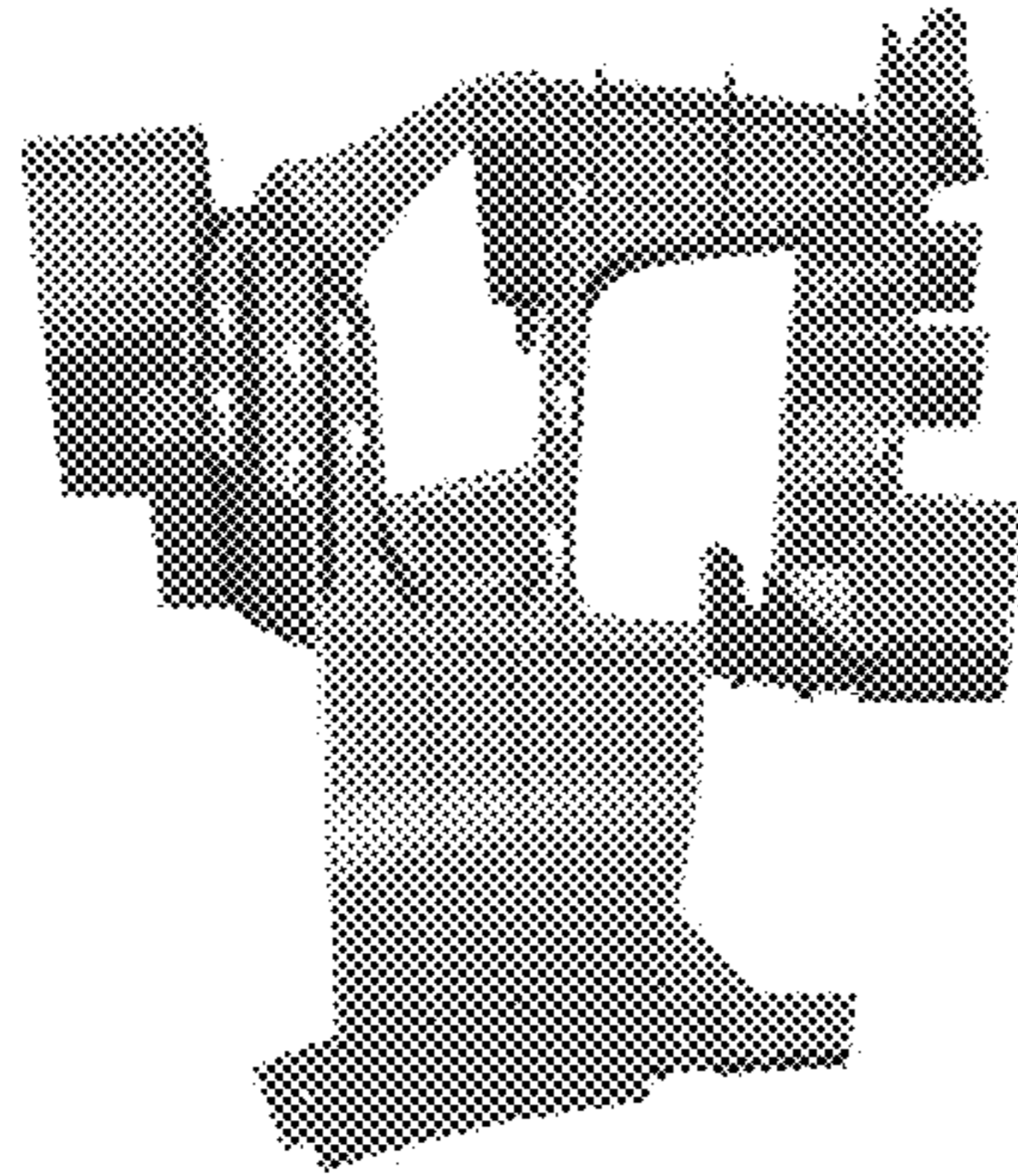


Fig. 3

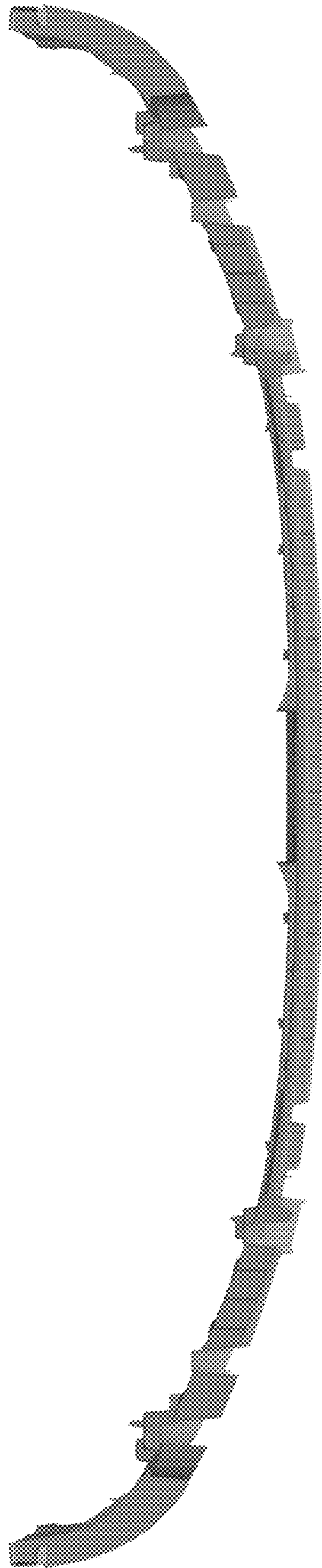
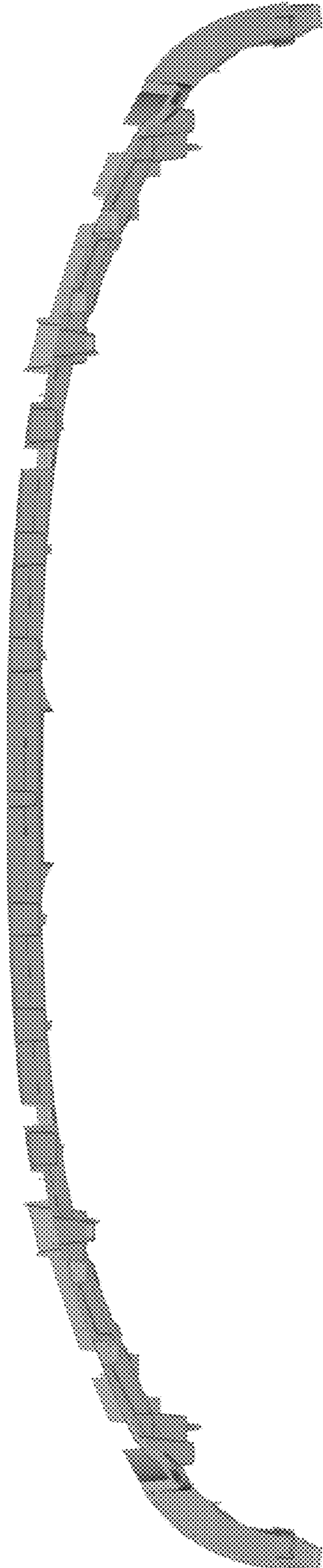


Fig. 4

Fig. 5



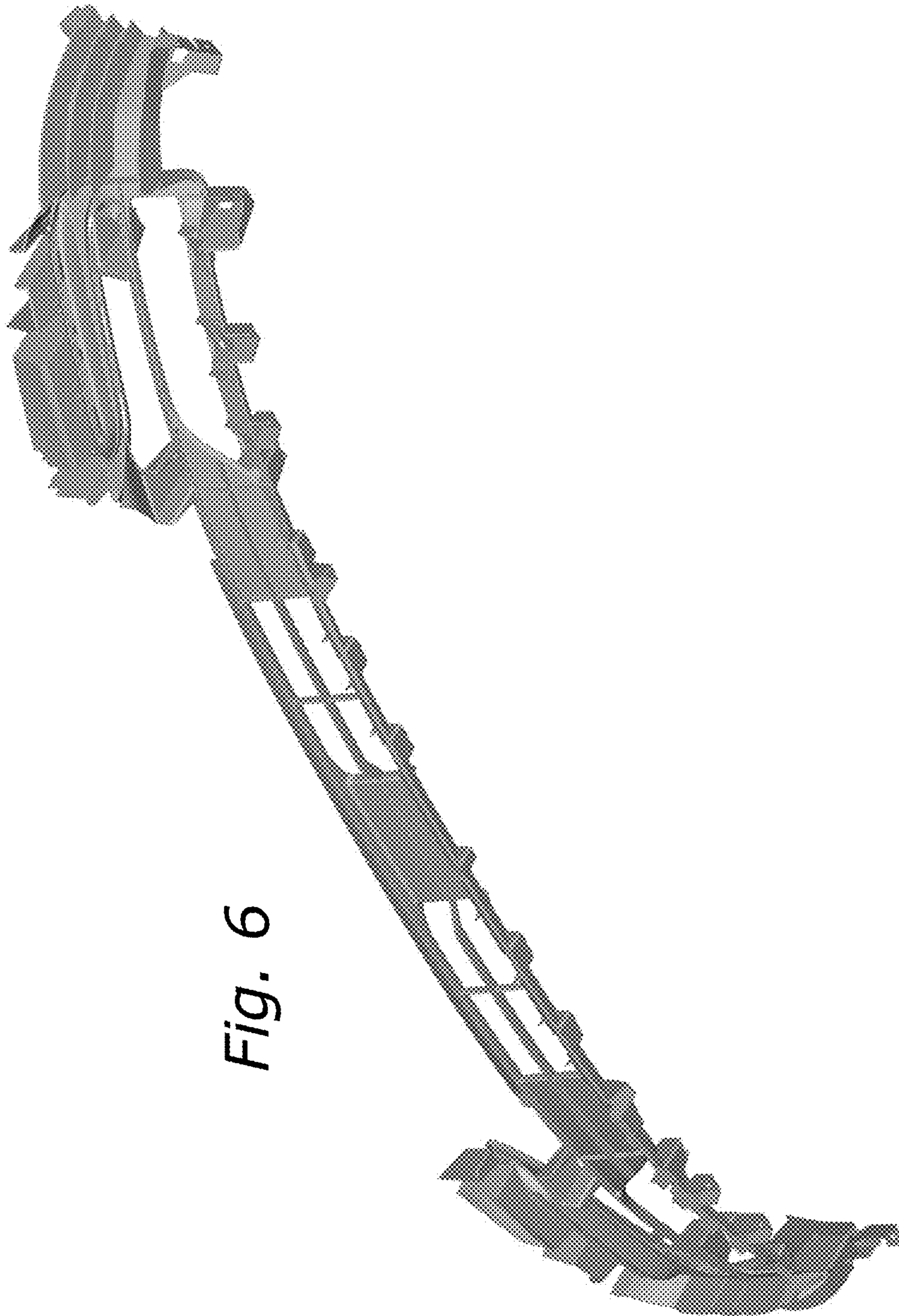


Fig. 6

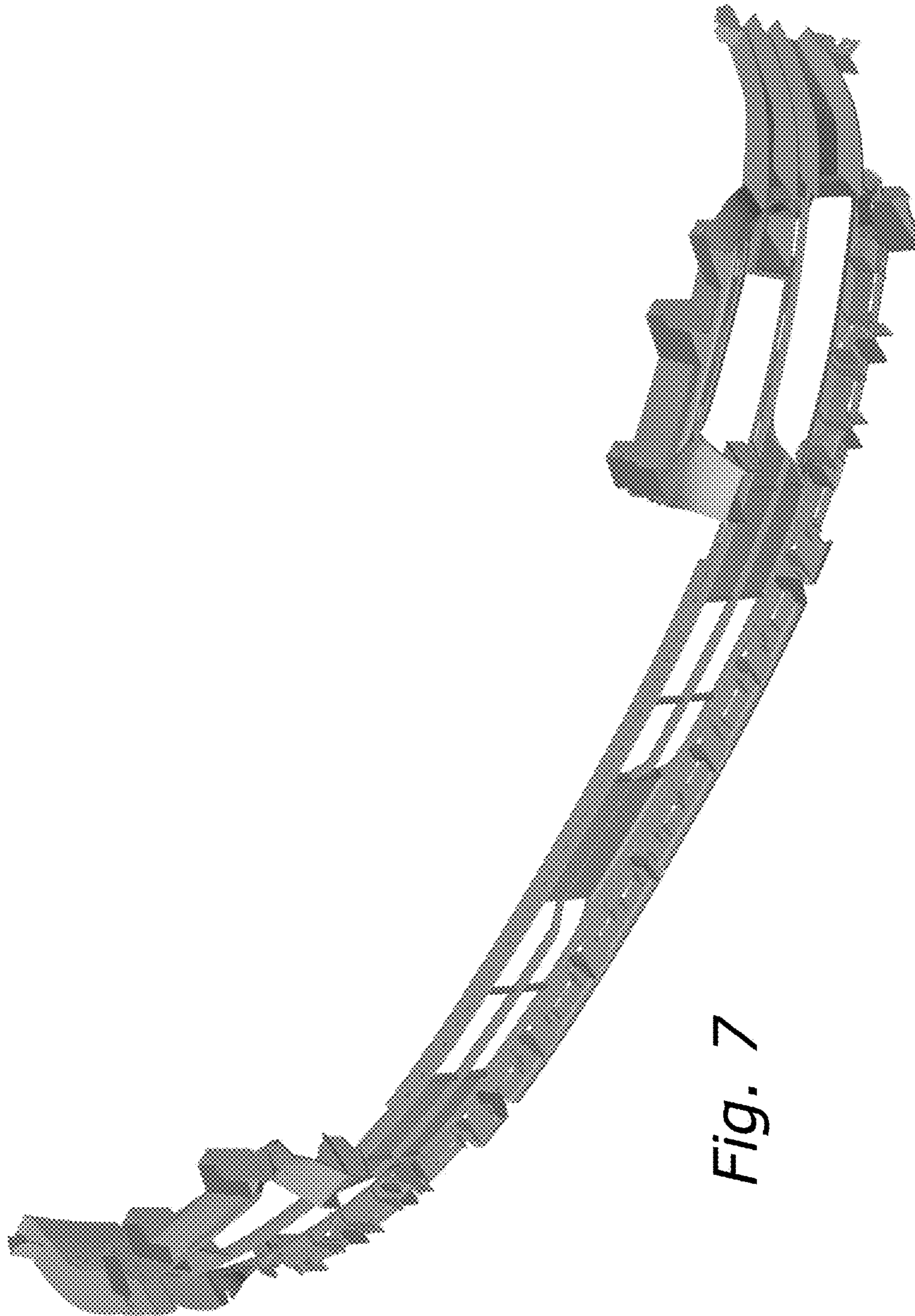


Fig. 7

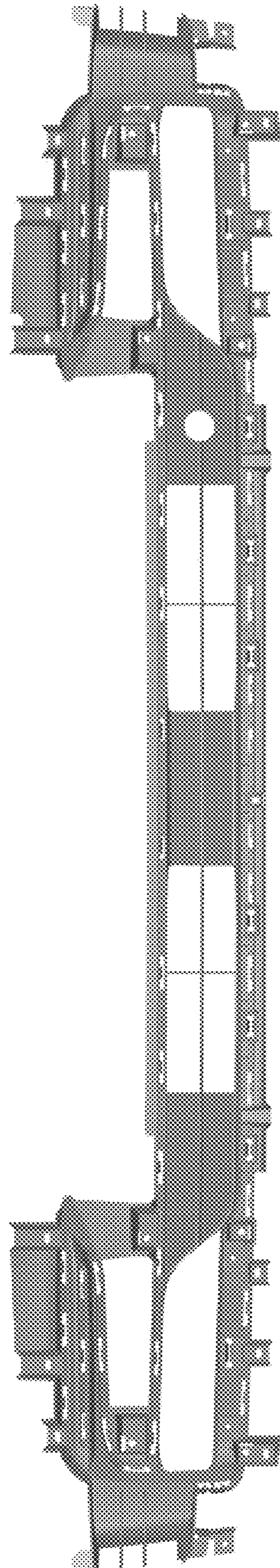


Fig. 8

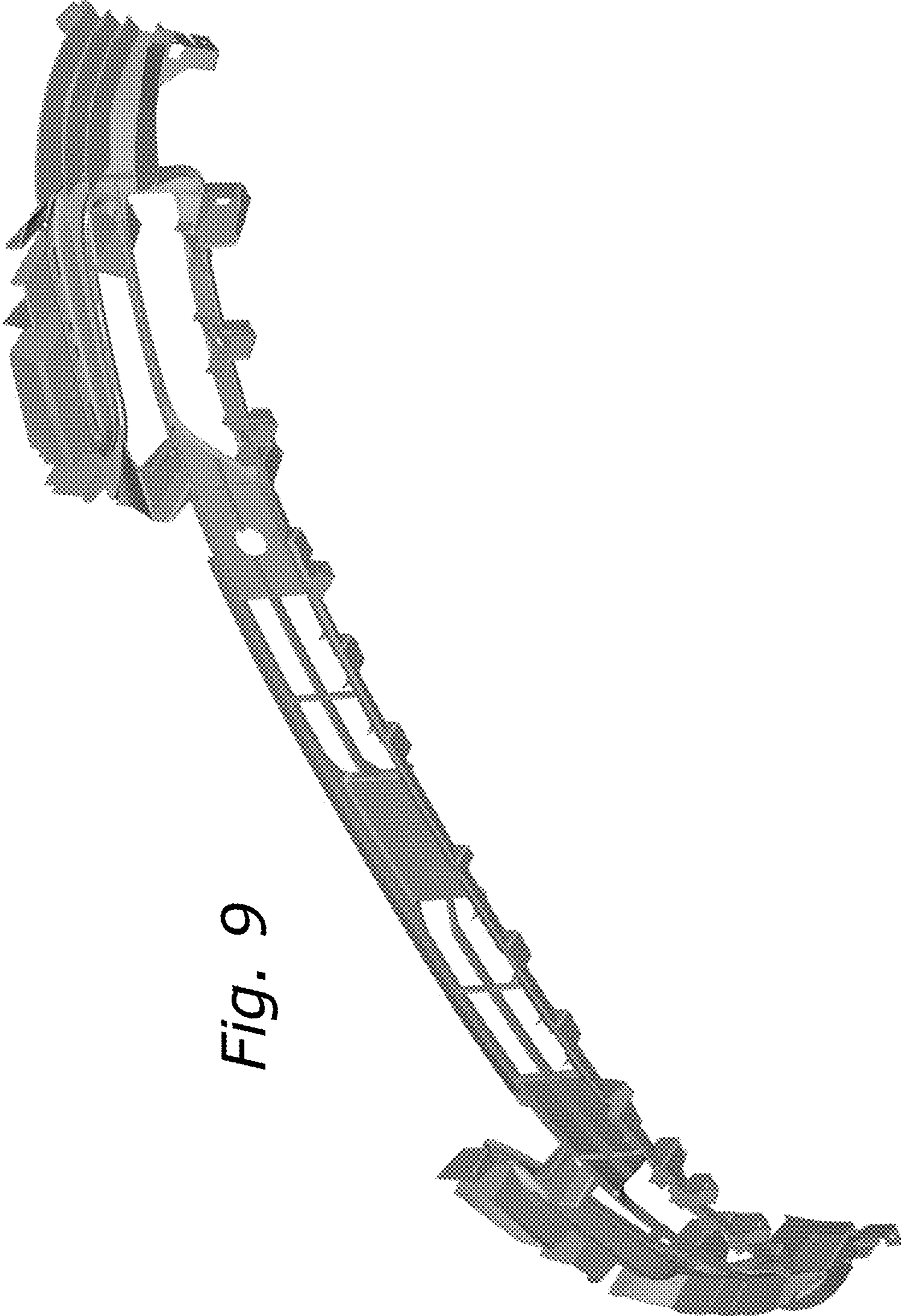


Fig. 9