



US00D872657S

(12) **United States Design Patent**
Li

(10) **Patent No.:** **US D872,657 S**
(45) **Date of Patent:** **** Jan. 14, 2020**

- (54) **ELECTRIC GO-KART**
- (71) Applicant: **Shenzhen Zhouwu Technology Co., Ltd.**, Shenzhen (CN)
- (72) Inventor: **Xing-Rui Li**, Shenzhen (CN)
- (73) Assignee: **Shenzhen Zhouwu Technology Co., Ltd.**, Shenzhen (CN)
- (**) Term: **15 Years**
- (21) Appl. No.: **29/649,922**
- (22) Filed: **Jun. 4, 2018**
- (30) **Foreign Application Priority Data**
Apr. 13, 2018 (CN) 2018 3 0161503
- (51) **LOC (12) Cl.** **12-11**
- (52) **U.S. Cl.**
USPC **D12/112; D21/426**
- (58) **Field of Classification Search**
USPC D12/1, 107, 110–114, 129, 130, 133;
D21/412, 414, 419, 423–428, 431–435
CPC A63G 25/00; B62D 21/183; B62D 39/00;
B60K 7/0007
See application file for complete search history.

- (56) **References Cited**
U.S. PATENT DOCUMENTS
D189,614 S * 1/1961 Beale D21/426
D190,024 S * 4/1961 Rouse D21/426
3,533,484 A * 10/1970 Wood, Jr. B60K 1/00
180/206.4
D222,283 S * 10/1971 Reeves D21/426
3,799,283 A * 3/1974 Freber B60G 9/00
180/56
3,960,392 A * 6/1976 Read B62K 9/02
280/282
D243,627 S * 3/1977 Clower D21/426

- D246,198 S * 10/1977 Rose D21/426
- D249,496 S * 9/1978 Morgan D12/112
- D252,714 S * 8/1979 Tidwell D21/426
- 4,281,844 A * 8/1981 Jackman B62K 9/02
280/263

(Continued)

Primary Examiner — Darlington Ly
(74) *Attorney, Agent, or Firm* — ScienBiziP, P.C.

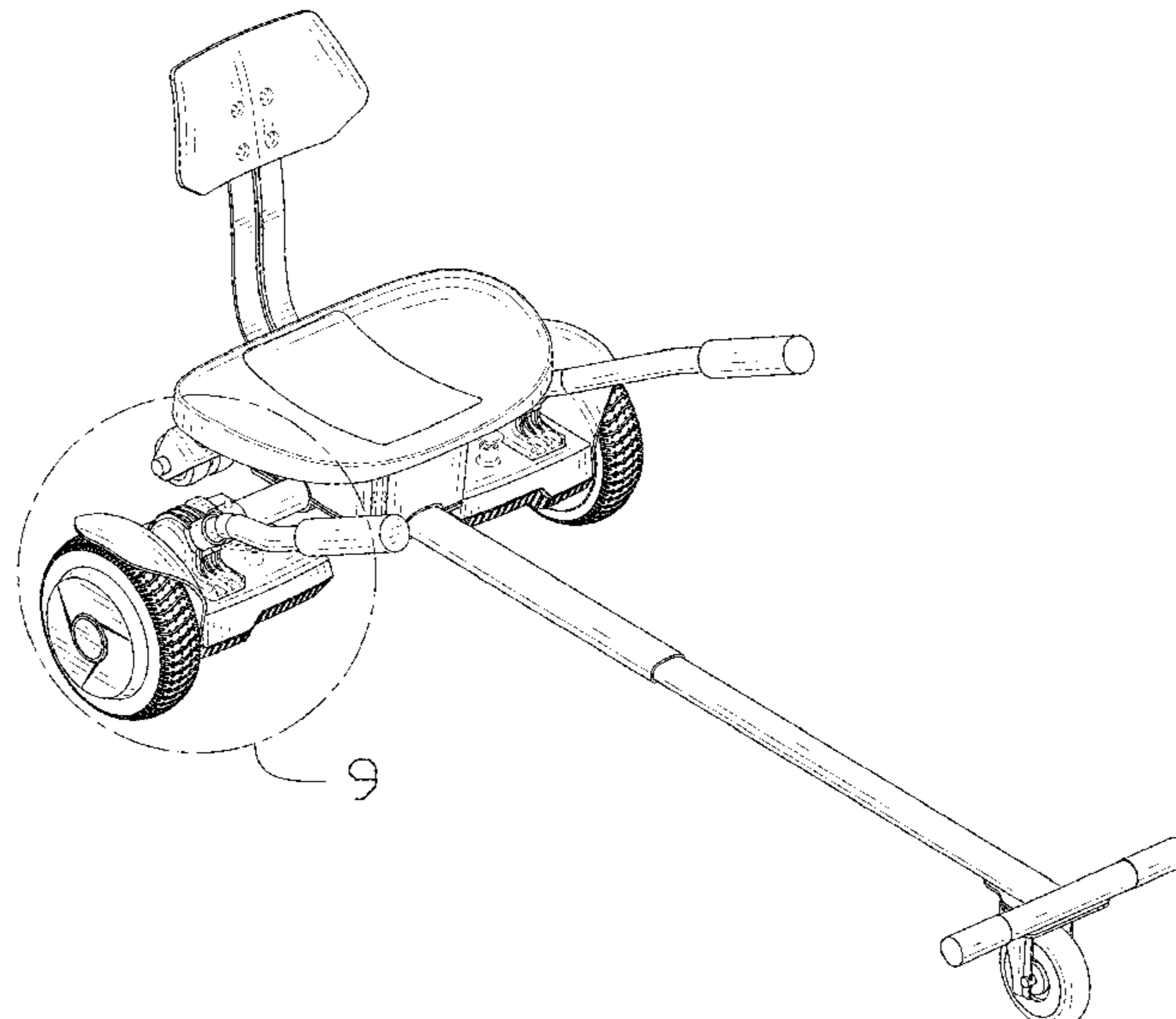
(57) **CLAIM**

The ornamental design for an electric go-kart, as shown and described.

DESCRIPTION

FIG. 1 is a front perspective view of an electric go-kart, showing the claimed new design;
 FIG. 2 is a bottom perspective view of the electric go-kart shown in FIG. 1;
 FIG. 3 is a front elevation view of the electric go-kart shown in FIG. 1;
 FIG. 4 is a rear elevation view of the electric go-kart shown in FIG. 1;
 FIG. 5 is a left side elevation view of the electric go-kart shown in FIG. 1;
 FIG. 6 is a right side elevation view of the electric go-kart shown in FIG. 1;
 FIG. 7 is a top plan view of the electric go-kart shown in FIG. 1;
 FIG. 8 is a bottom plan view of the electric go-kart shown in FIG. 1;
 FIG. 9 is a partial enlarged view of the electric go-kart with a label number “9” in the FIG. 1;
 FIG. 10 is a partial enlarged view of the electric go-kart with a label number “10” in the FIG. 2; and,
 FIG. 11 is a partial enlarged view of the electric go-kart with a label number “11” in the FIG. 5.
 The broken lines in the drawings illustrate portions of the electric go-kart that form no part of the claimed design.

1 Claim, 11 Drawing Sheets



(56)

References Cited

U.S. PATENT DOCUMENTS

4,359,231 A * 11/1982 Mulcahy B62D 9/02
 280/288.1
 D276,058 S * 10/1984 Rogers D21/426
 D280,916 S * 10/1985 Castle D21/426
 4,572,535 A * 2/1986 Stewart B62K 3/005
 280/266
 D290,451 S * 6/1987 Engum 280/259
 4,826,190 A * 5/1989 Hartmann B62K 3/005
 280/236
 4,993,733 A * 2/1991 Eilers B62K 3/005
 280/261
 D320,420 S * 10/1991 Dupont D12/88
 D320,586 S * 10/1991 Tellinghuisen D12/112
 D332,765 S * 1/1993 Tellinghuisen D12/112
 D332,977 S * 2/1993 Huffman D21/423
 D369,130 S * 4/1996 Cummings D12/112
 D378,226 S * 2/1997 Sundqvist D21/433

D408,869 S * 4/1999 Patmont D21/424
 D440,607 S * 4/2001 Mahlow D21/419
 D460,723 S * 7/2002 Smit D12/112
 D469,819 S * 2/2003 Nicolle D21/426
 D512,467 S * 12/2005 Hadley D21/424
 D582,992 S * 12/2008 Alais D21/426
 7,552,934 B2 * 6/2009 Lee B62K 3/005
 280/266
 D608,250 S * 1/2010 Van De Vrie D12/112
 D692,505 S * 10/2013 Jiang D12/112
 D692,506 S * 10/2013 Jiang D12/112
 D761,700 S * 7/2016 Kermani D12/112
 D766,780 S * 9/2016 Fusco D12/112
 D771,196 S * 11/2016 Chen D21/424
 D774,981 S * 12/2016 Chen D12/112
 2004/0199311 A1 * 10/2004 Aguilar G09B 9/042
 701/36
 2010/0032223 A1 * 2/2010 Kermani A63G 25/00
 180/216

* cited by examiner

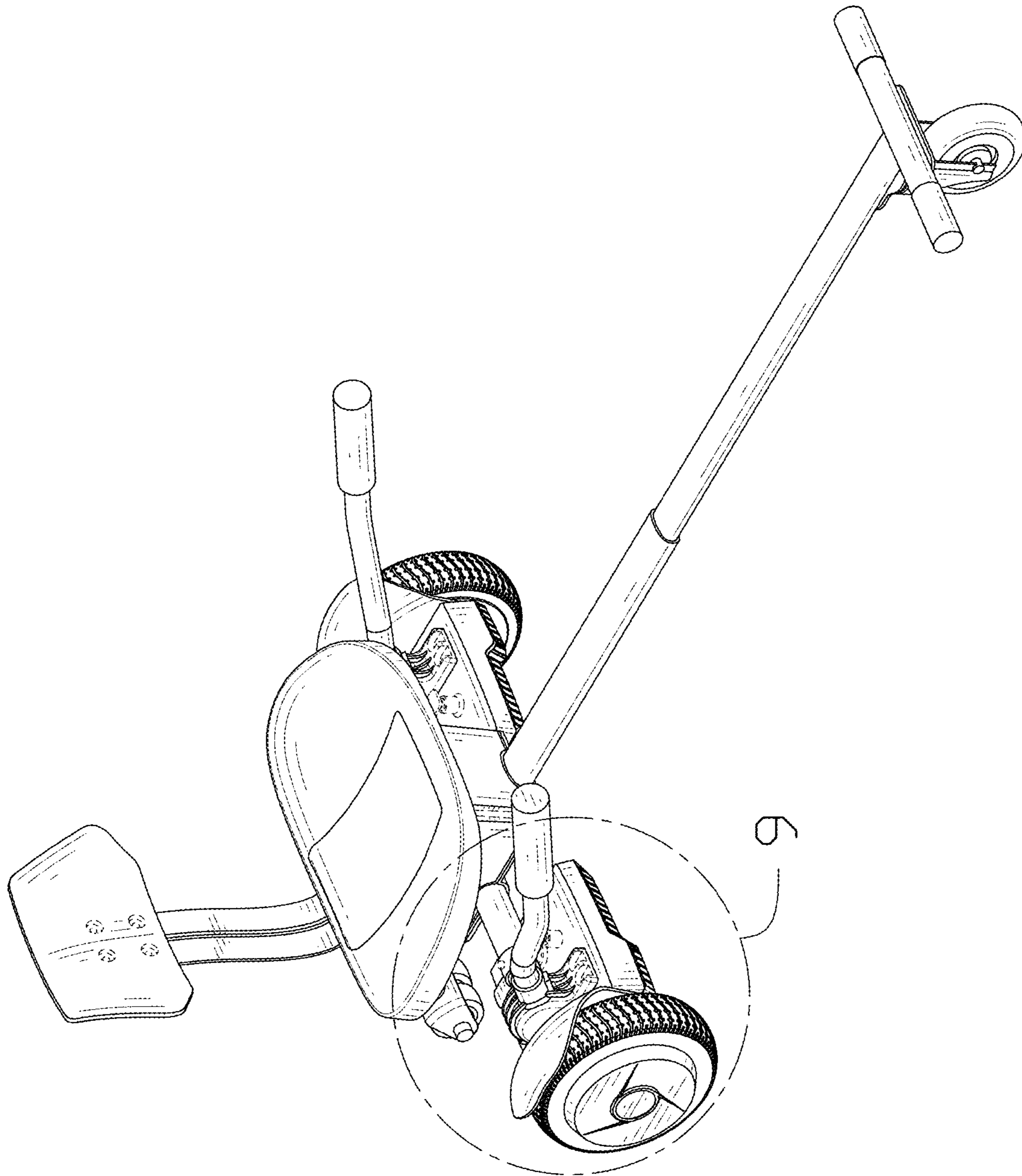


FIG. 1

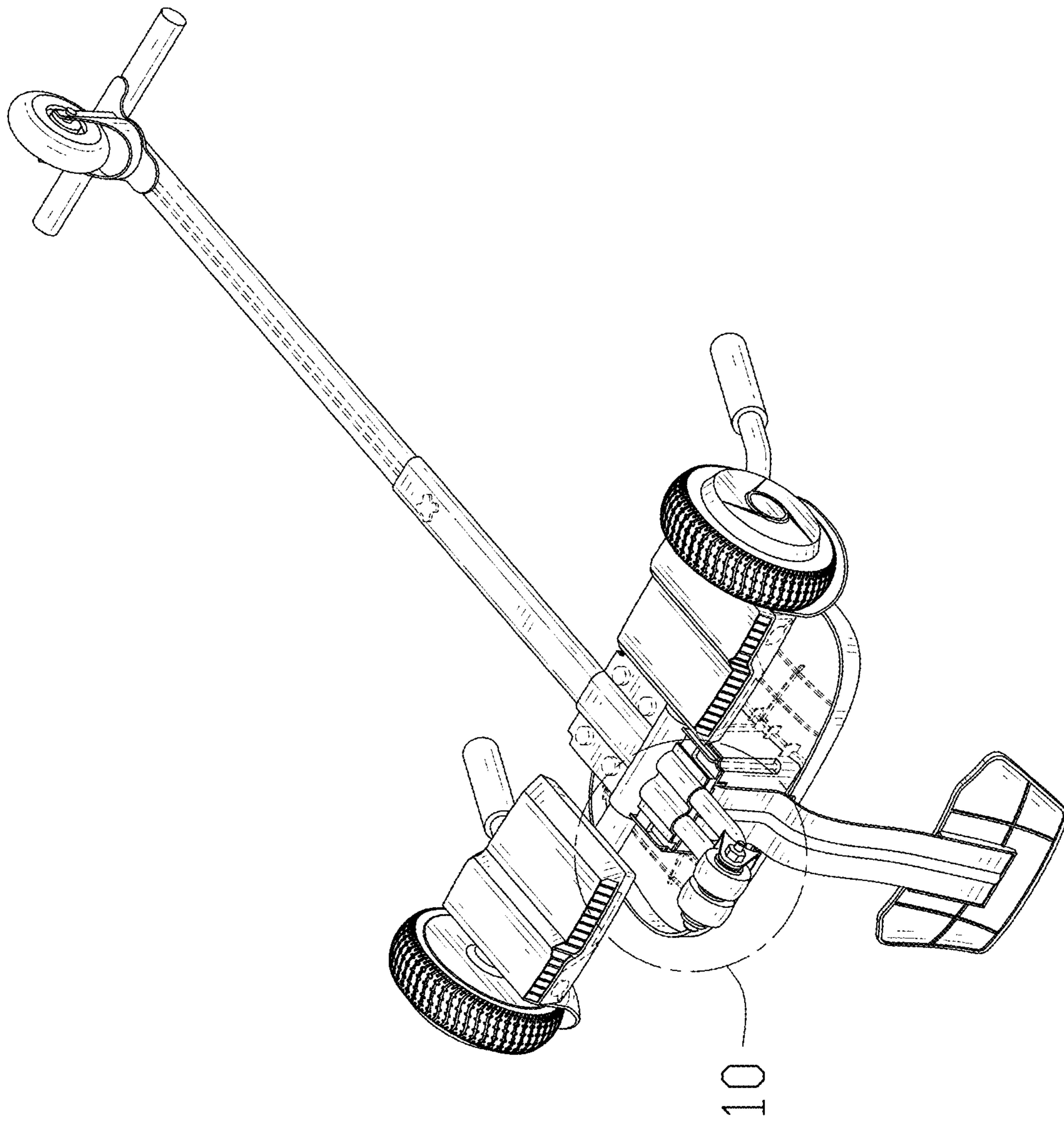


FIG. 2

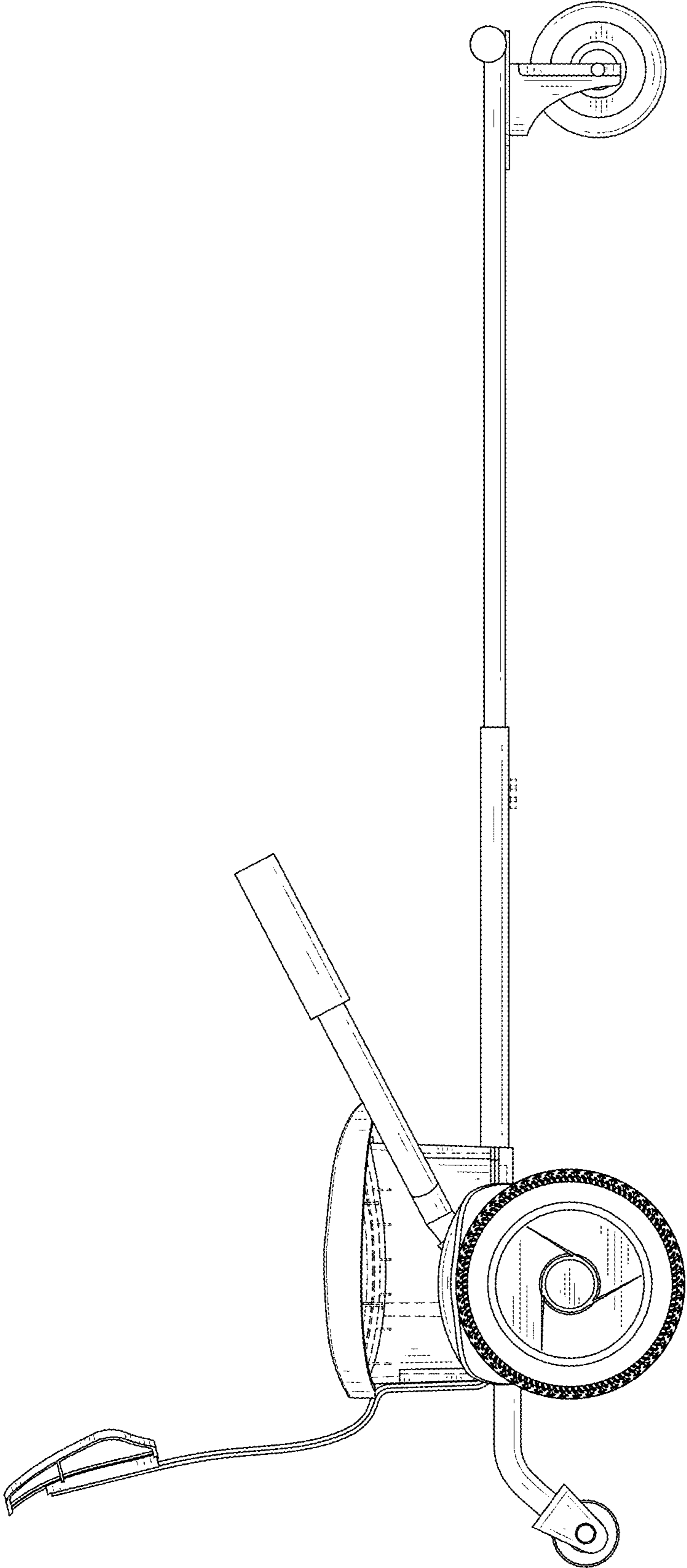


FIG. 3

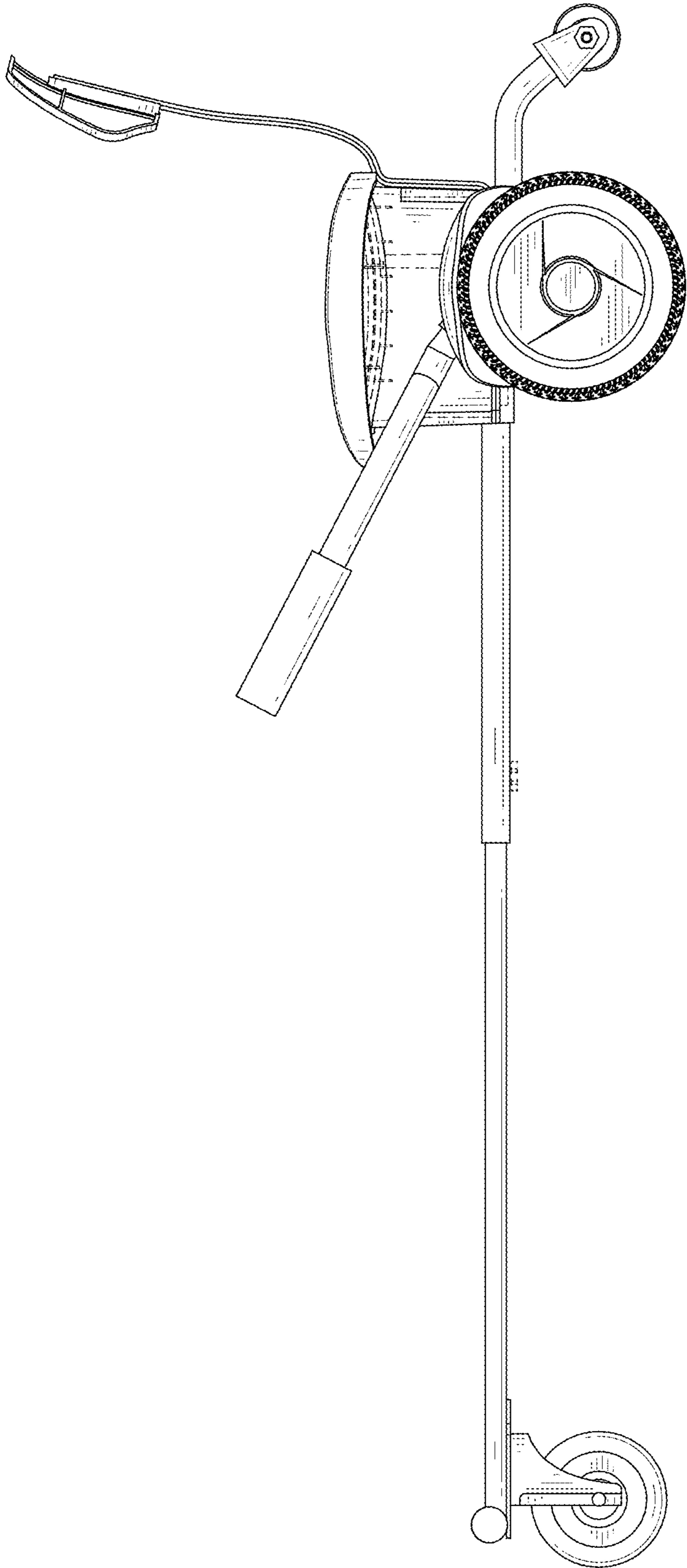


FIG. 4

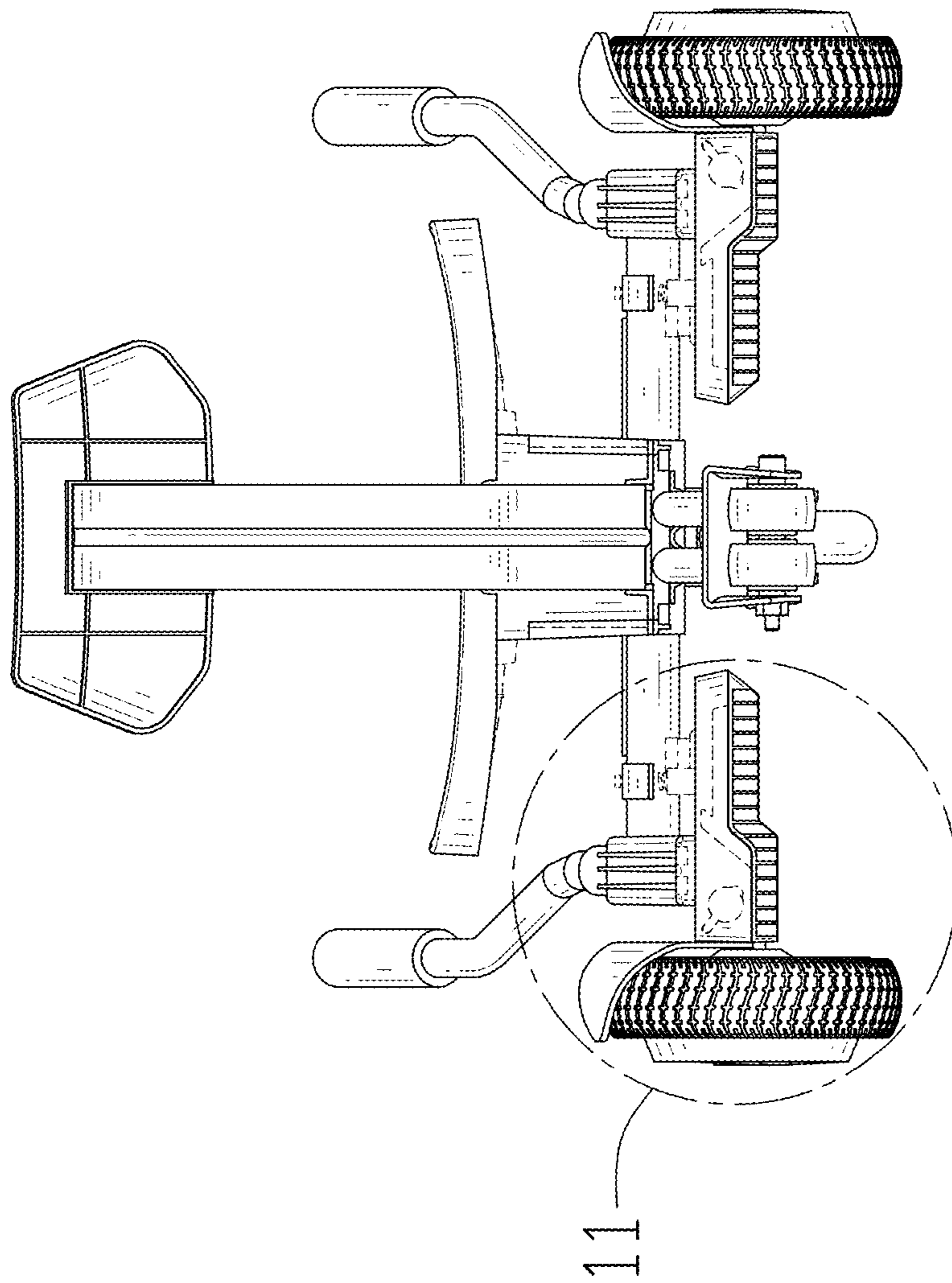


FIG. 5

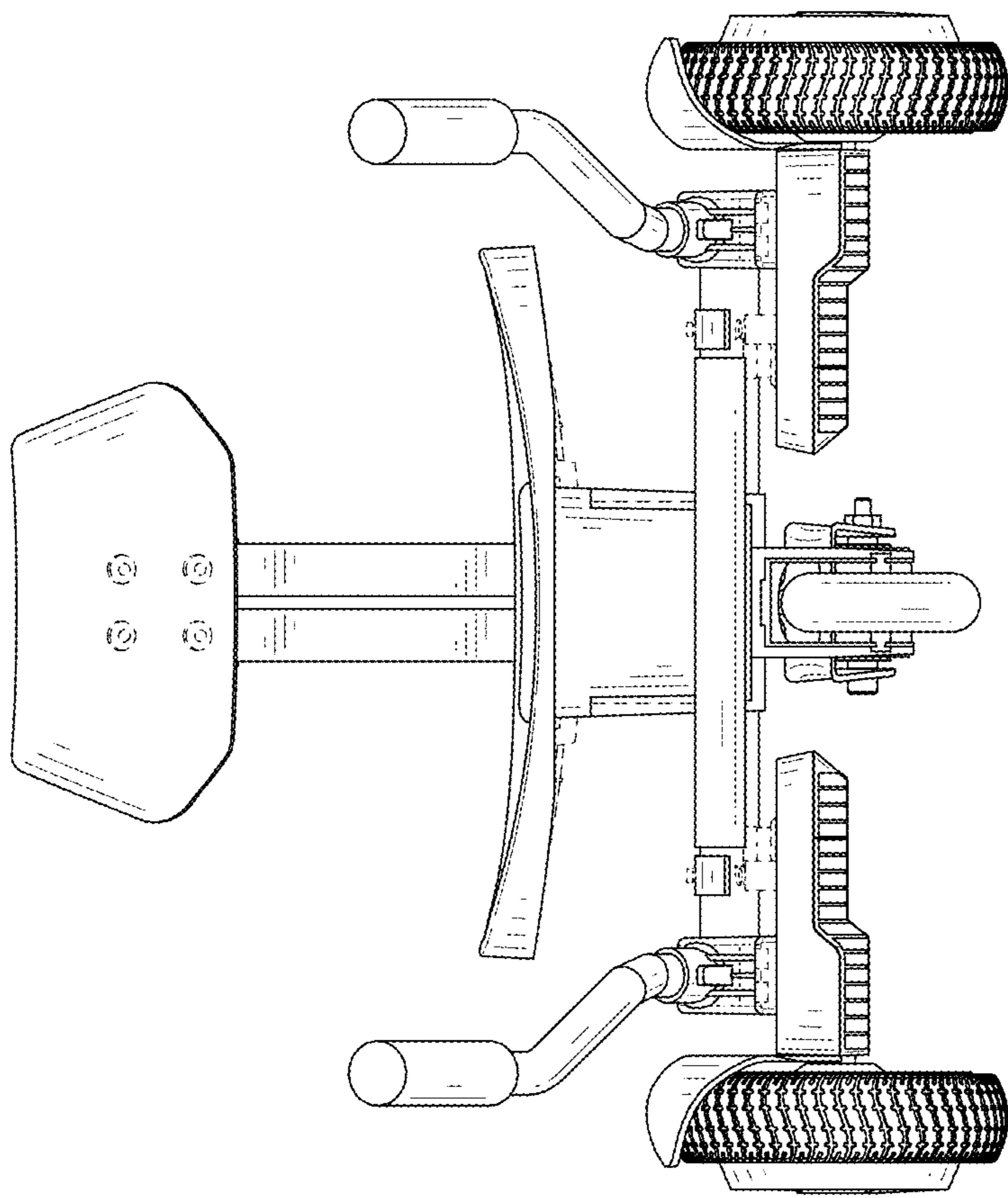


FIG. 6

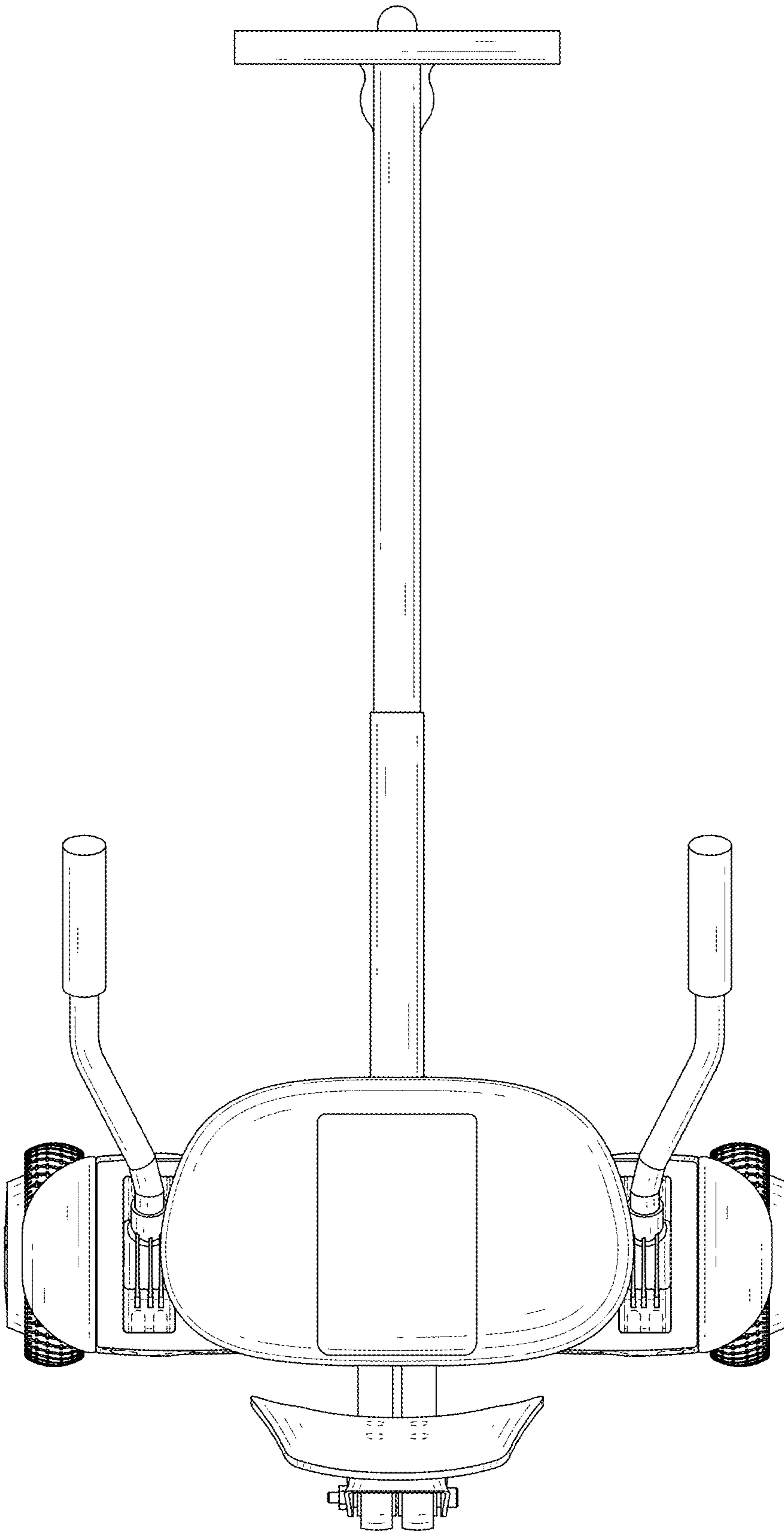


FIG. 7

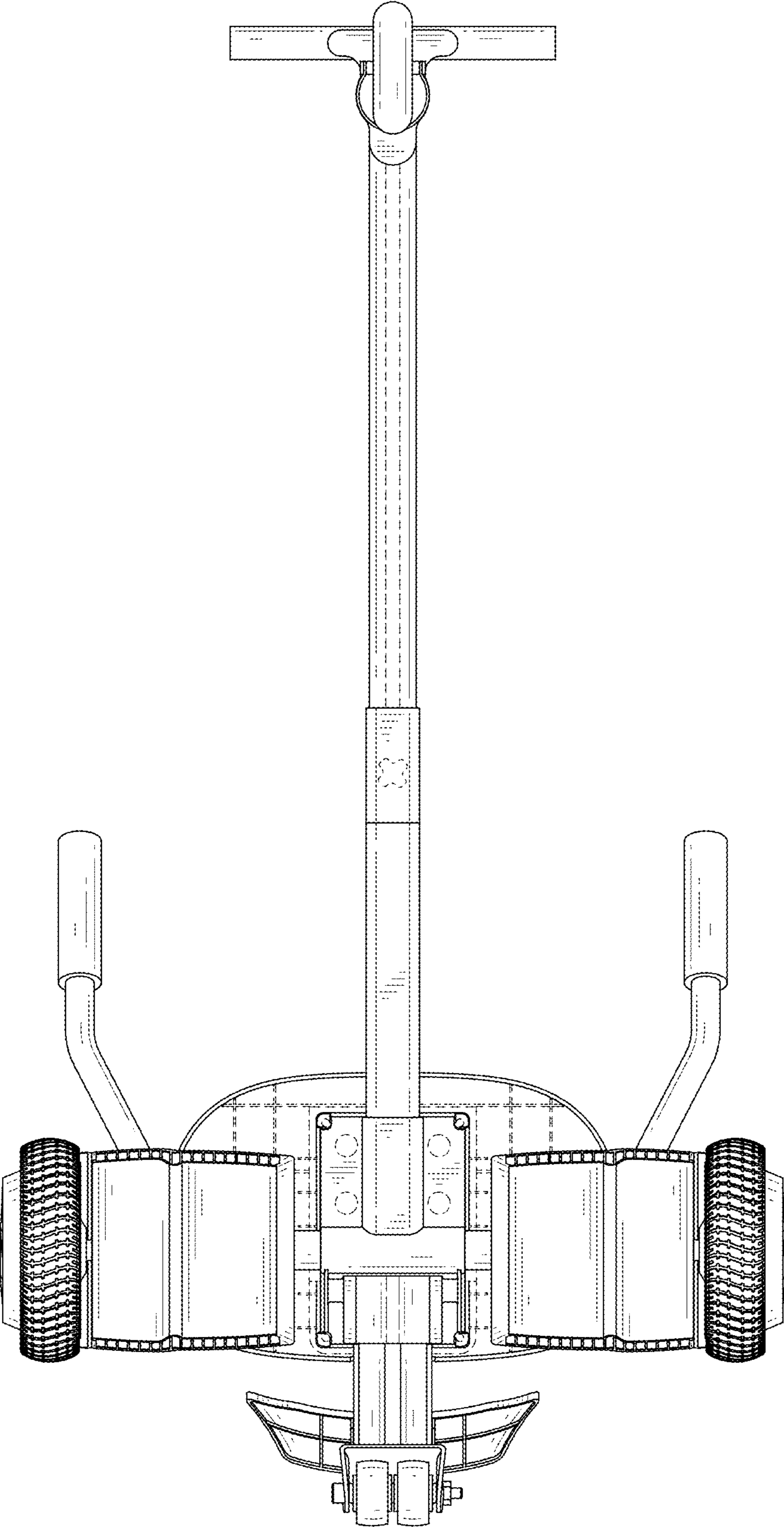


FIG. 8

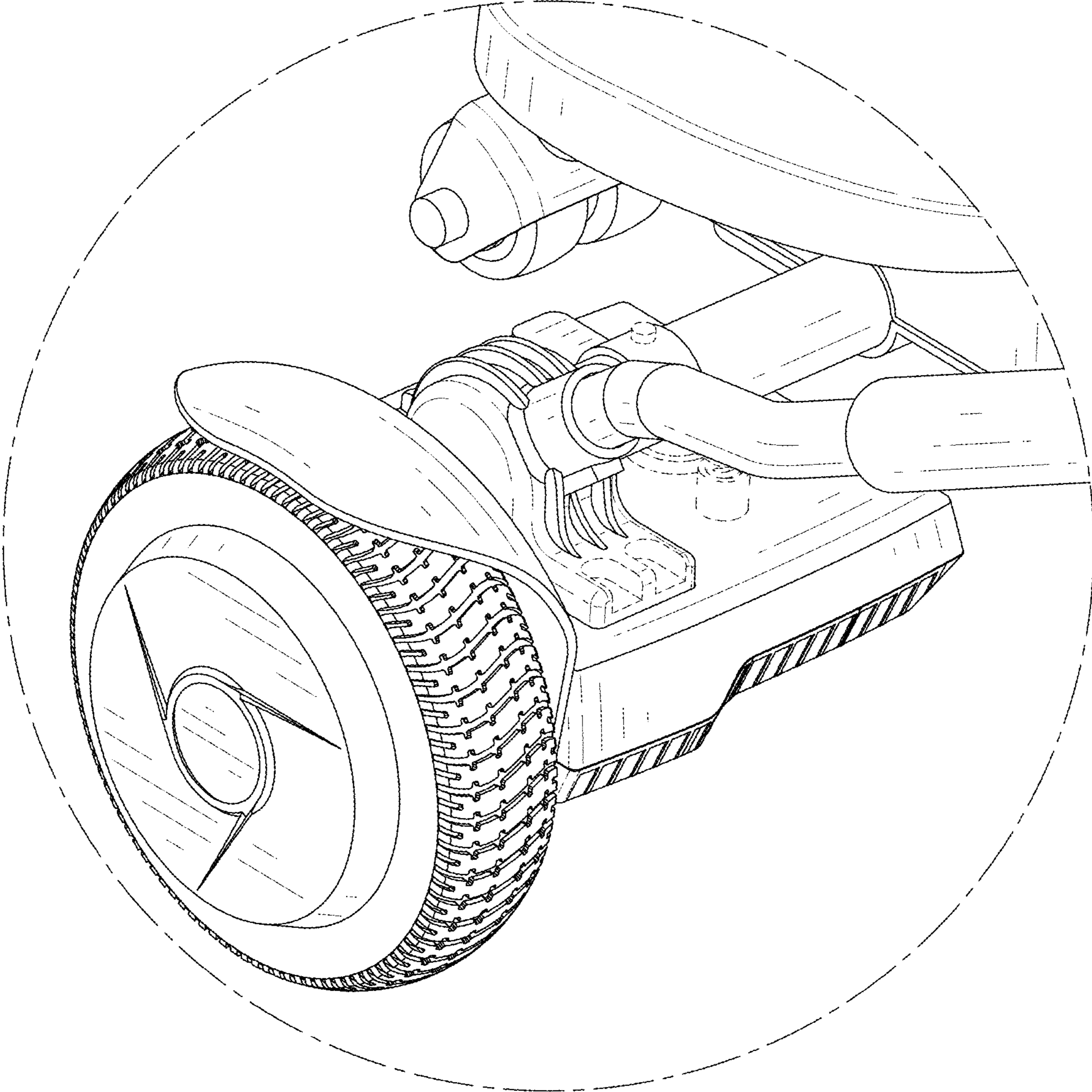


FIG. 9

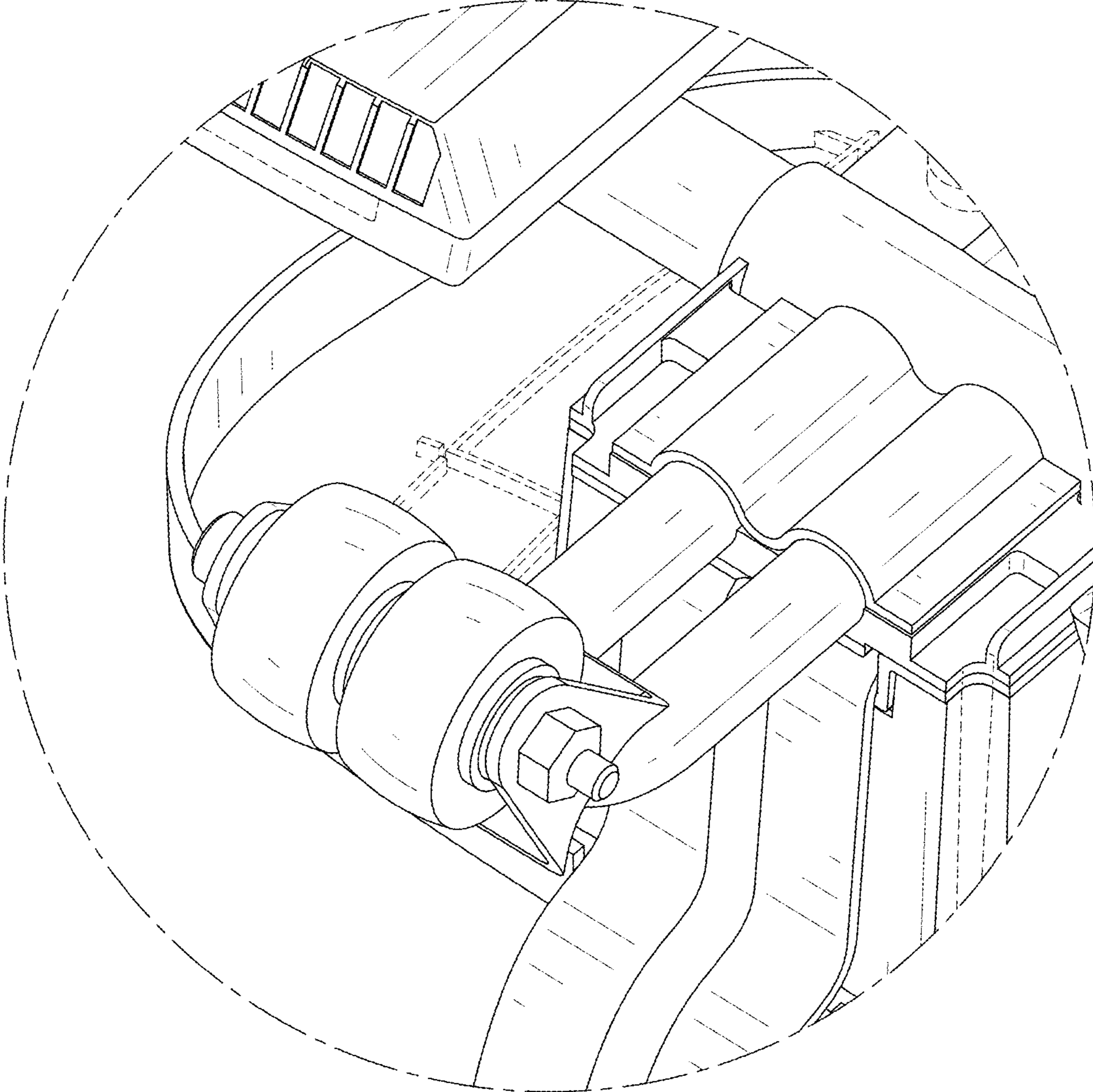


FIG. 10

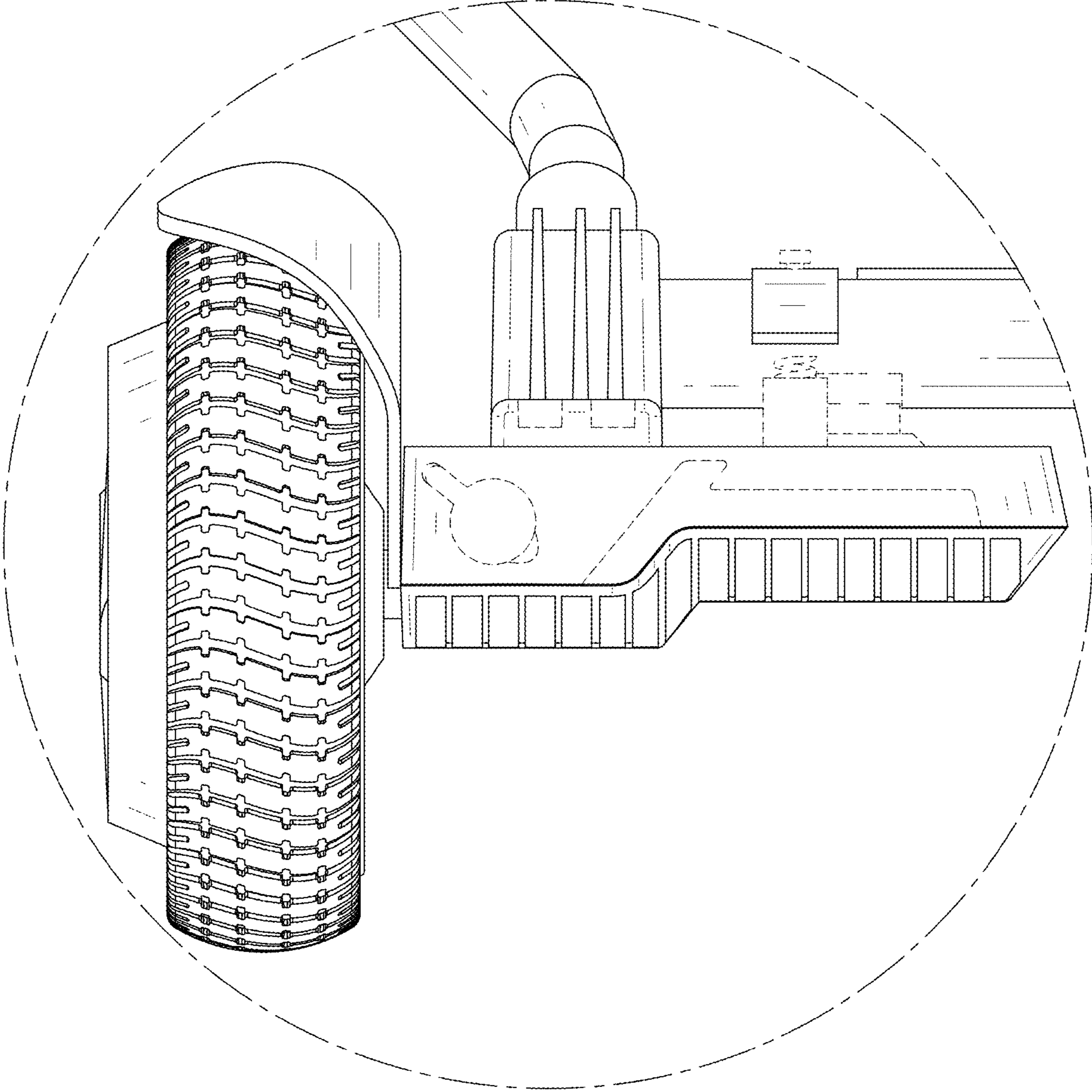


FIG. 11