



US00D872655S

(12) **United States Design Patent**
Green

(10) **Patent No.:** **US D872,655 S**
(45) **Date of Patent:** **** Jan. 14, 2020**

(54) **LADDER CART**

(71) Applicant: **LockNClimb, LLC**, Independence, KS
(US)

(72) Inventor: **Jeffrey Alan Green**, Independence, KS
(US)

(73) Assignee: **LOCK N CLIMB, LLC**,
Independence, KS (US)

(**) Term: **15 Years**

(21) Appl. No.: **29/637,163**

(22) Filed: **Feb. 14, 2018**

(51) **LOC (12) Cl.** **12-10**

(52) **U.S. Cl.**
USPC **D12/106**

(58) **Field of Classification Search**
USPC D12/93–106, 400, 406, 412–414, 414.1;
D34/21–26, 12, 16–19; 280/204, 205, 63,
280/475, 482, 647; 296/168, 180, 180.2,
296/61, 10, 100.01–100.08; D21/425,
D21/435

CPC .. B60P 1/56; B60P 3/222; B60P 3/224; B60P
3/10; B60P 3/1033; B61D 7/02; B62D
35/02; B62D 35/00; A62B 3/005; E01F
15/14

See application file for complete search history.

(56) **References Cited**

U.S. PATENT DOCUMENTS

527,942 A * 10/1894 Cairnes E06C 1/397
182/15
3,997,024 A * 12/1976 Fredricks E04G 1/20
182/17
D249,032 S * 8/1978 Tarran D25/64
D288,331 S * 2/1987 Huldt D34/21
D291,878 S * 9/1987 Cook D12/16

D304,111 S * 10/1989 Mehalick D34/18
D311,082 S * 10/1990 Nordstrom D34/24
D333,895 S * 3/1993 Niemeyer 280/47.33
(Continued)

FOREIGN PATENT DOCUMENTS

CN 206600175 * 10/2017 E21D 11/10

OTHER PUBLICATIONS

Ladder Carts, PickingCarts.com, [online], [site visited Mar. 20,
2019]. <URL: <http://www.pickingcarts.com/ladder-cart.html>> (Year:
2019).*

(Continued)

Primary Examiner — T Chase Nelson

Assistant Examiner — Jonathan J. Han

(74) *Attorney, Agent, or Firm* — Katten Muchin
Rosenman LLP

(57) **CLAIM**

The ornamental design for the ladder cart, as shown and
described.

DESCRIPTION

FIG. 1 is a front perspective view of a ladder cart of the
present invention;

FIG. 2 is a back perspective view of a ladder cart of the
present invention;

FIG. 3 is a first side view of a ladder cart of the present
invention;

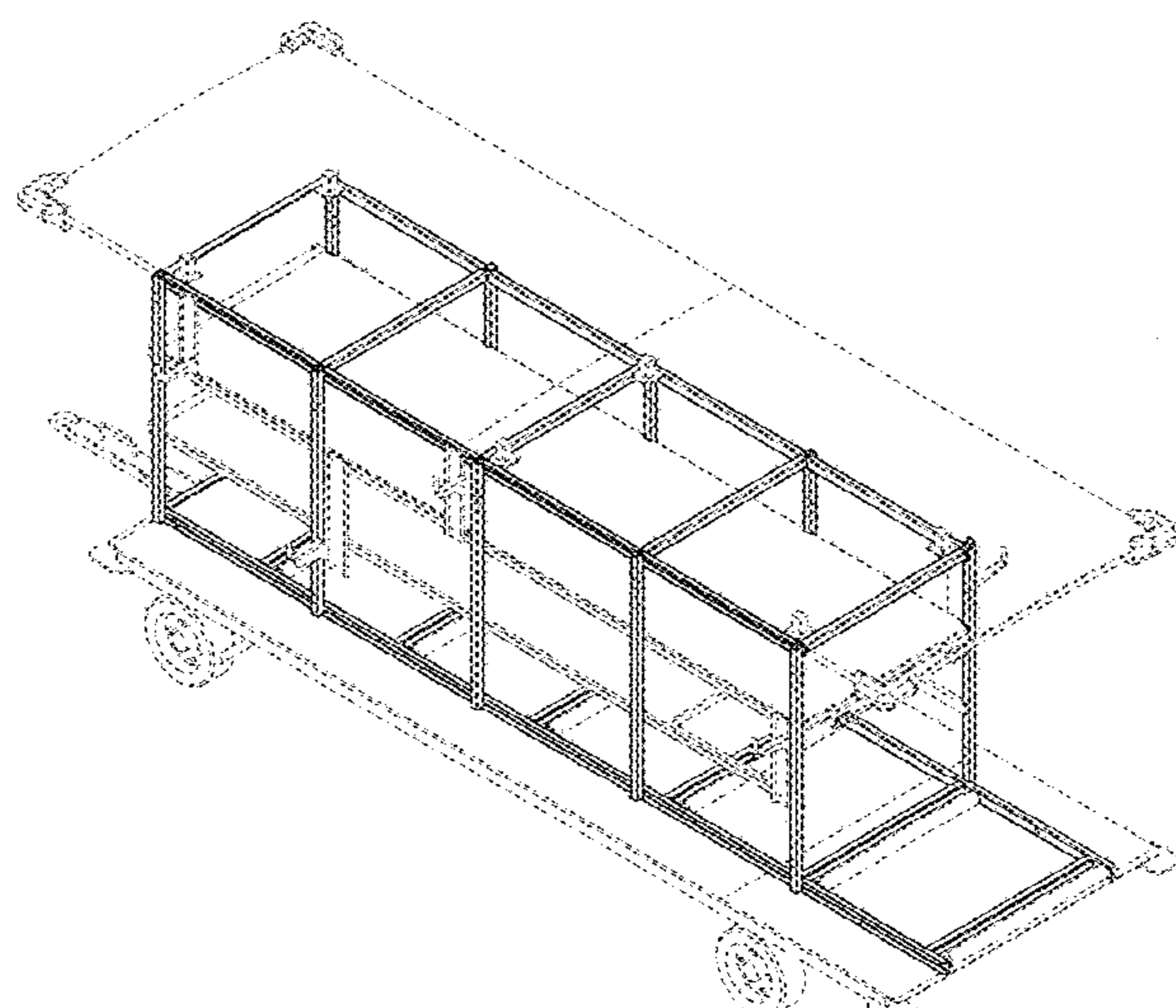
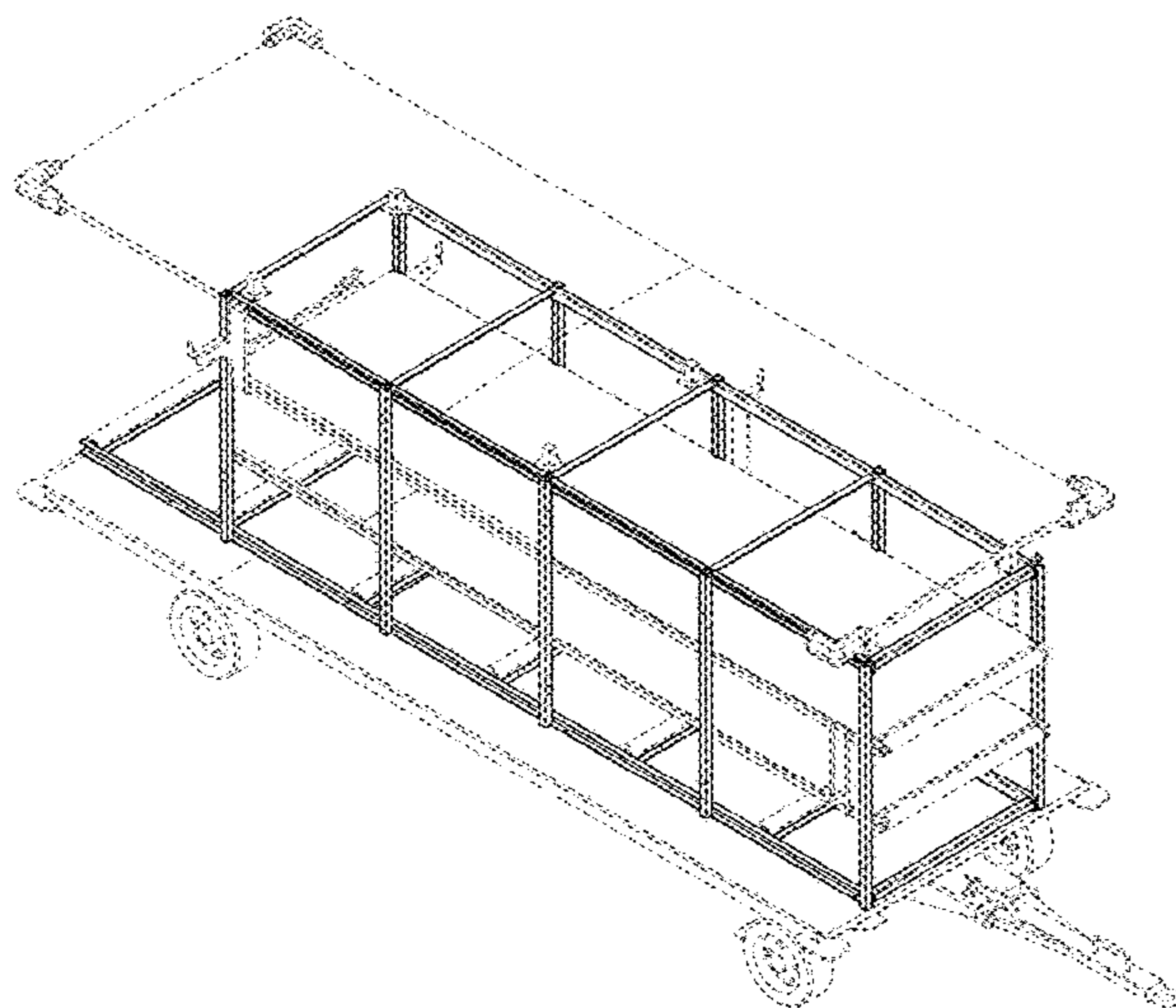
FIG. 4 is a second side view of a ladder cart of the present
invention;

FIG. 5 is a frontal view of a ladder cart of the present
invention;

FIG. 6 is a back view of a ladder cart of the present
invention; and,

FIG. 7 is a top view of a ladder cart of the present invention.
The broken lines in the figures are used to show unclaimed
environment and form no part of the claimed design.

1 Claim, 6 Drawing Sheets



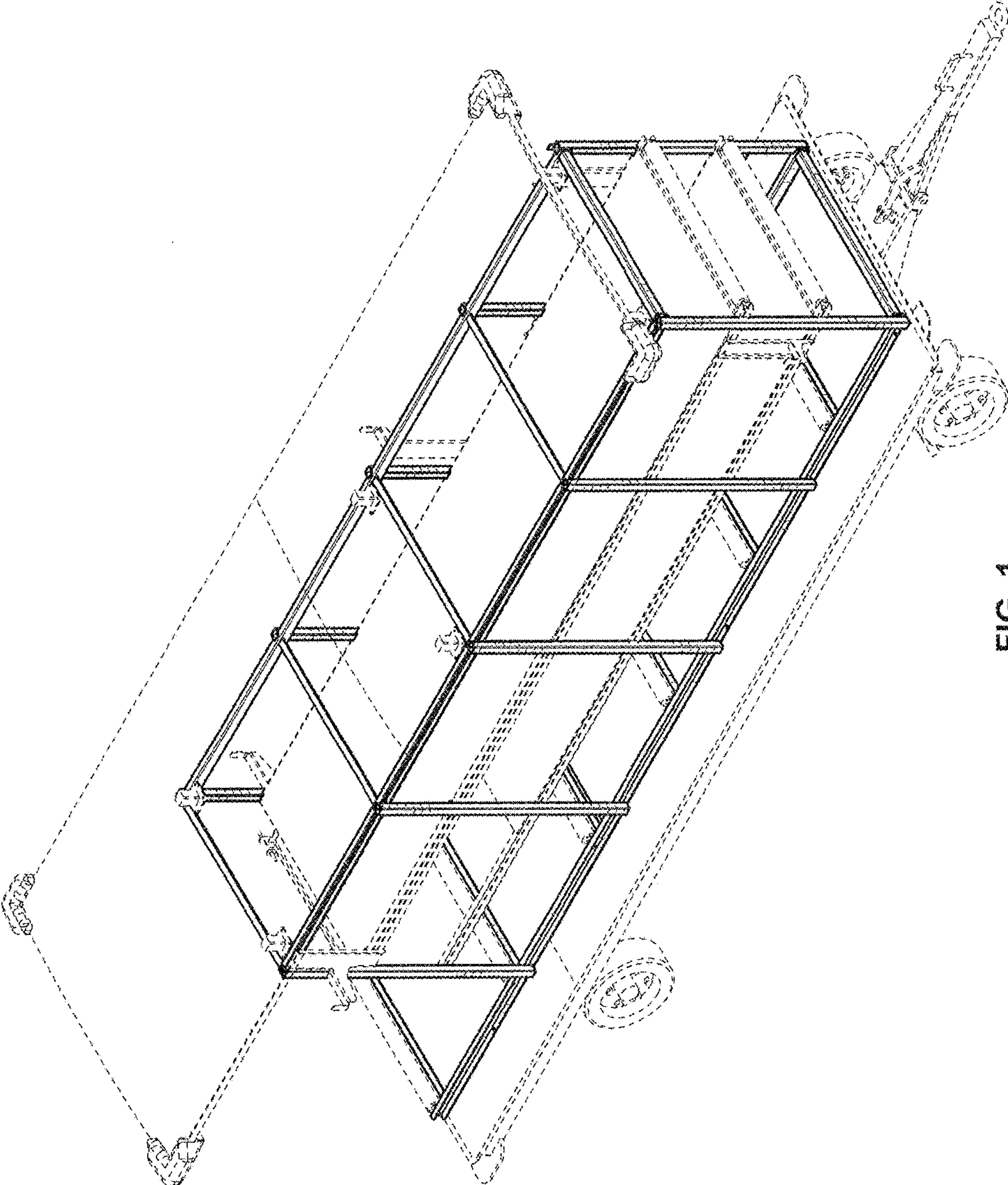


FIG. 1

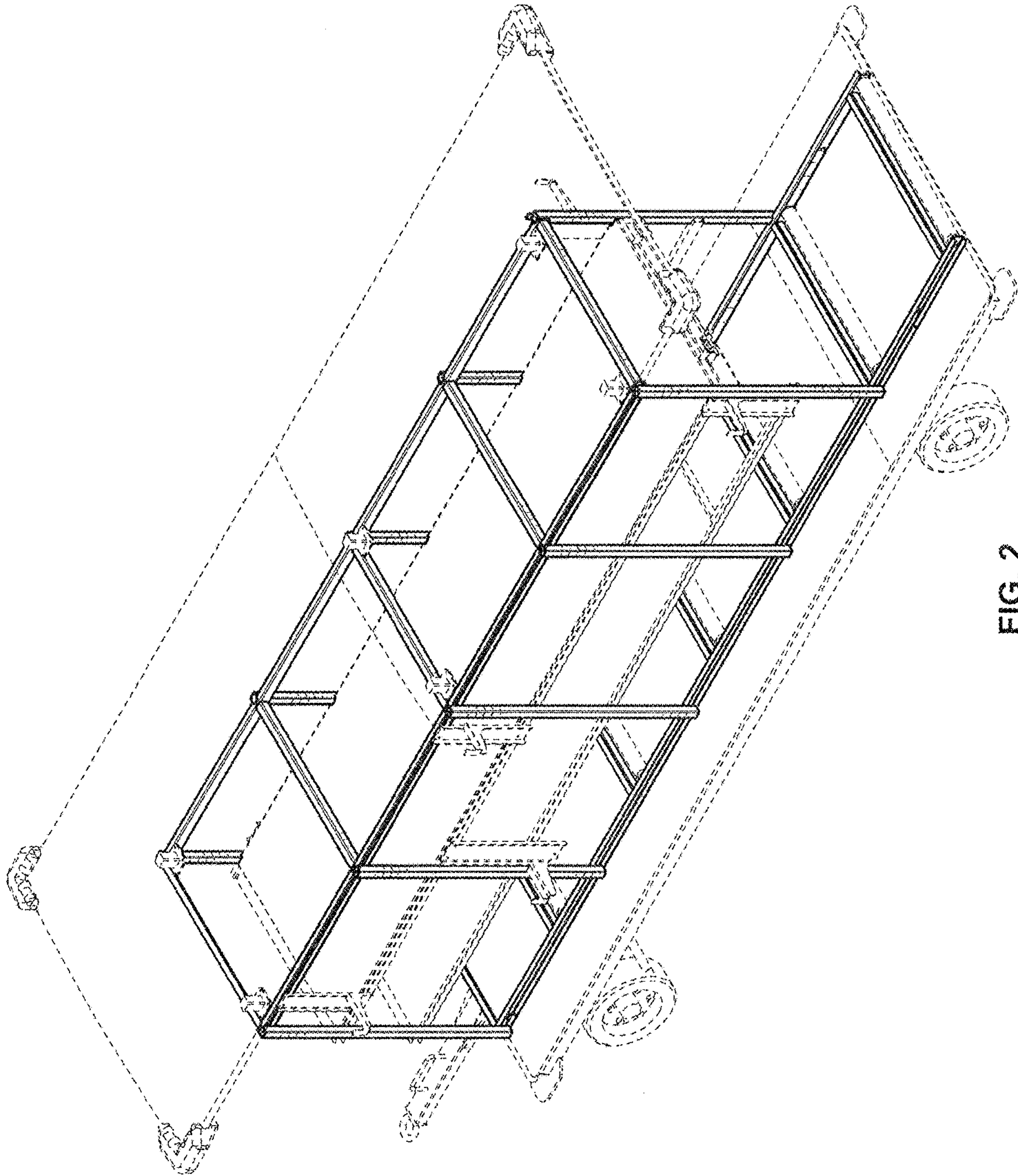


FIG. 2

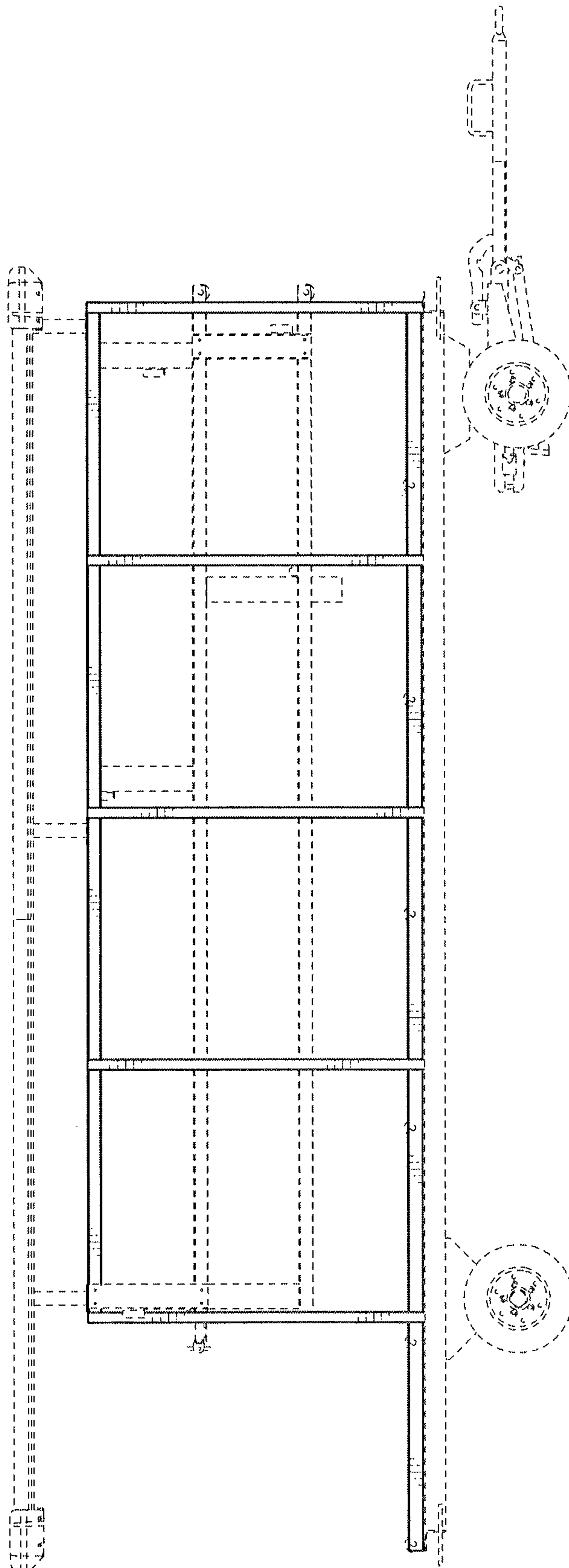


FIG. 3

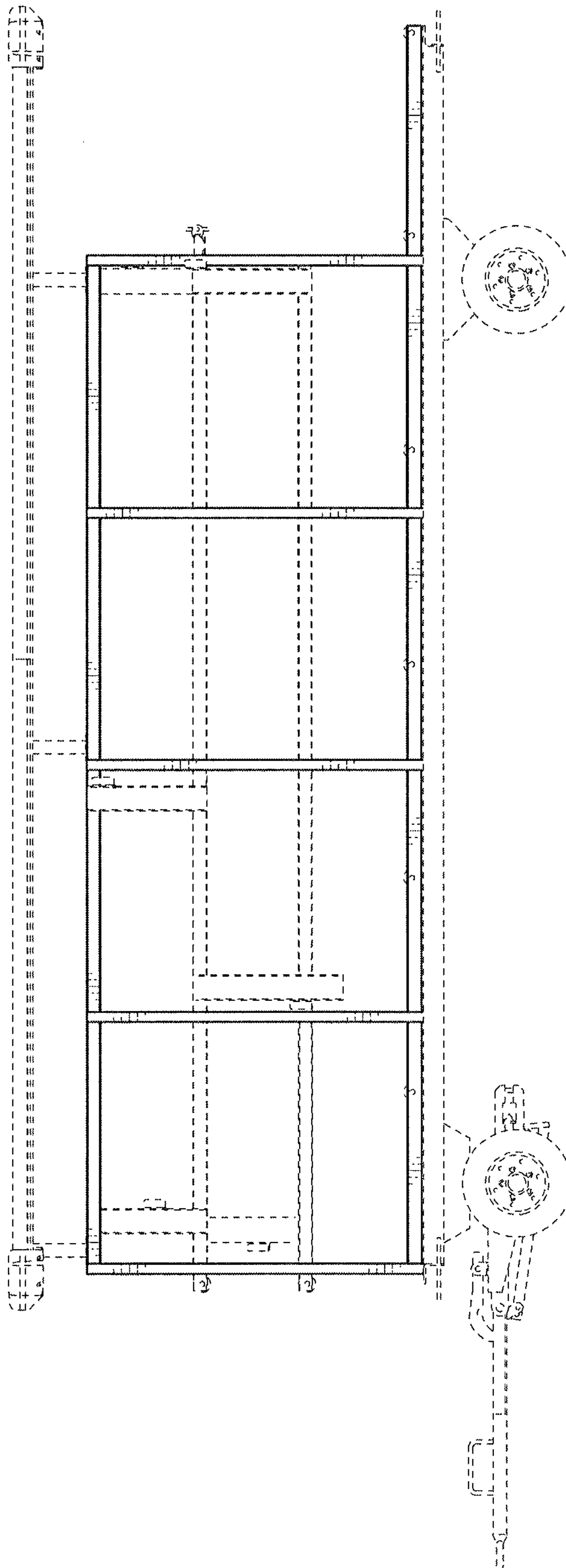


FIG. 4

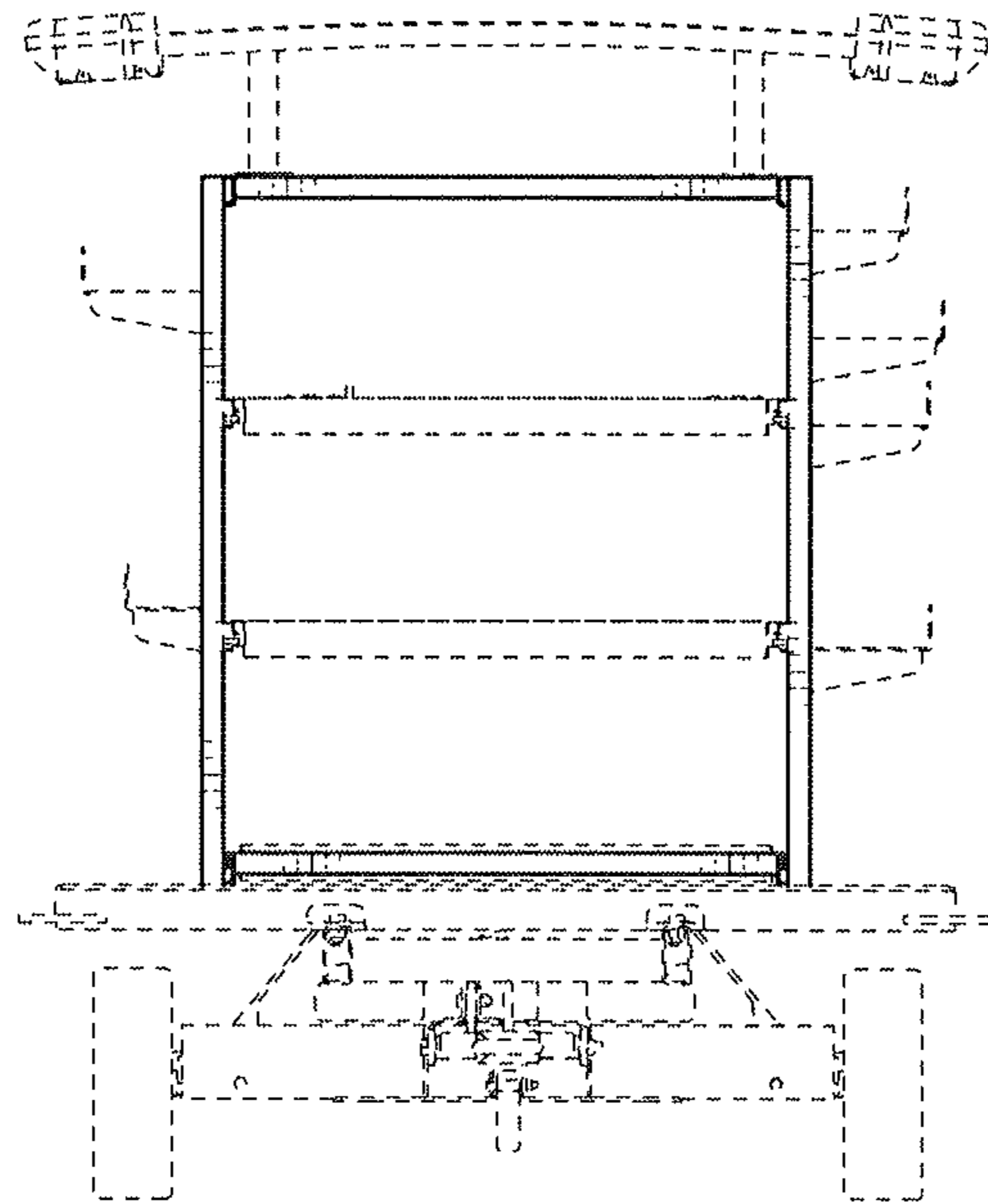


FIG. 5

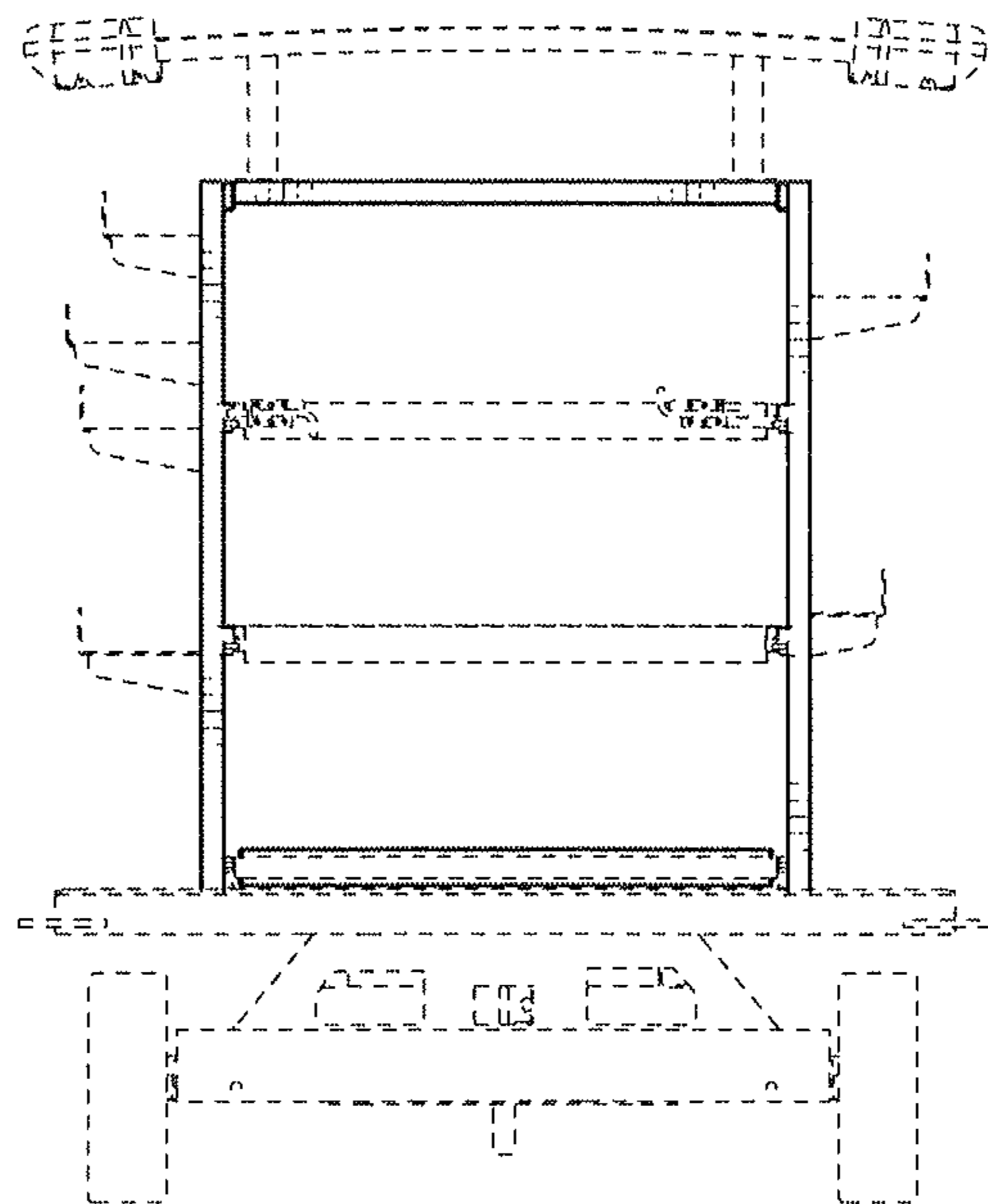


FIG. 6

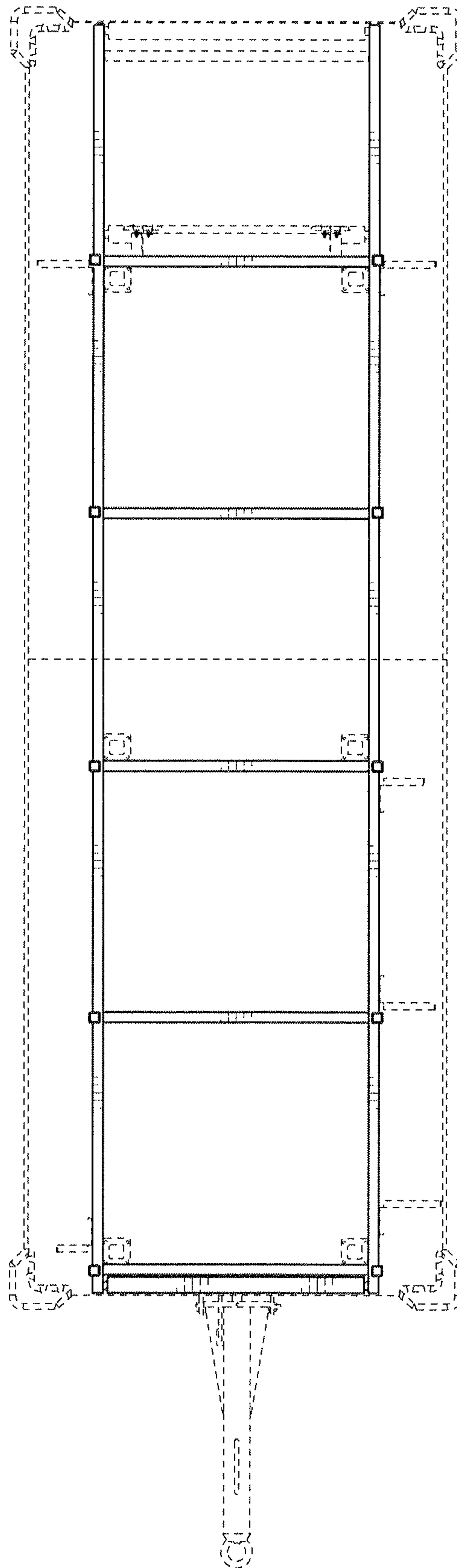


FIG. 7