



US00D872653S

(12) **United States Design Patent**
Kohrman et al.

(10) **Patent No.:** **US D872,653 S**

(45) **Date of Patent:** **** Jan. 14, 2020**

(54) **AUTOMOBILE BODY**

(71) Applicants: **Kohl J Kohrman**, Macomb, MI (US);
Timothy A. Doyle, Rochester, MI (US);
Mark C. Trostle, Rochester, MI (US);
Brian H. Nielander, Royal Oak, MI (US)

(72) Inventors: **Kohl J Kohrman**, Macomb, MI (US);
Timothy A. Doyle, Rochester, MI (US);
Mark C. Trostle, Rochester, MI (US);
Brian H. Nielander, Royal Oak, MI (US)

(73) Assignee: **FCA US LLC**, Auburn Hills, MI (US)

(**) Term: **15 Years**

(21) Appl. No.: **29/658,856**

(22) Filed: **Aug. 3, 2018**

(51) **LOC (12) Cl.** **12-08**

(52) **U.S. Cl.**
USPC **D12/92**

(58) **Field of Classification Search**
USPC D12/86, 90-92, 88; D21/424, 433, 434,
D21/533; 296/181.1-181.5, 183.1
CPC B62D 25/00; B62D 25/06; B62D 33/00;
B62D 35/00
See application file for complete search history.

(56) **References Cited**

U.S. PATENT DOCUMENTS

D414,445 S * 9/1999 Dehner D12/92
D510,056 S * 9/2005 Hall D12/92

D519,060 S * 4/2006 Hall D12/92
D644,960 S * 9/2011 Vardis D12/92
D645,790 S 9/2011 Vardis et al.
D684,900 S * 6/2013 Doyle D12/92
D687,349 S * 8/2013 Krugger D12/82
D753,551 S 4/2016 Gale et al.
D764,978 S 8/2016 Stone et al.
D814,975 S 4/2018 Stone et al.
D823,726 S * 7/2018 Hubers D12/92

* cited by examiner

Primary Examiner — Melody N Brown

(74) *Attorney, Agent, or Firm* — Ralph E. Smith

(57) **CLAIM**

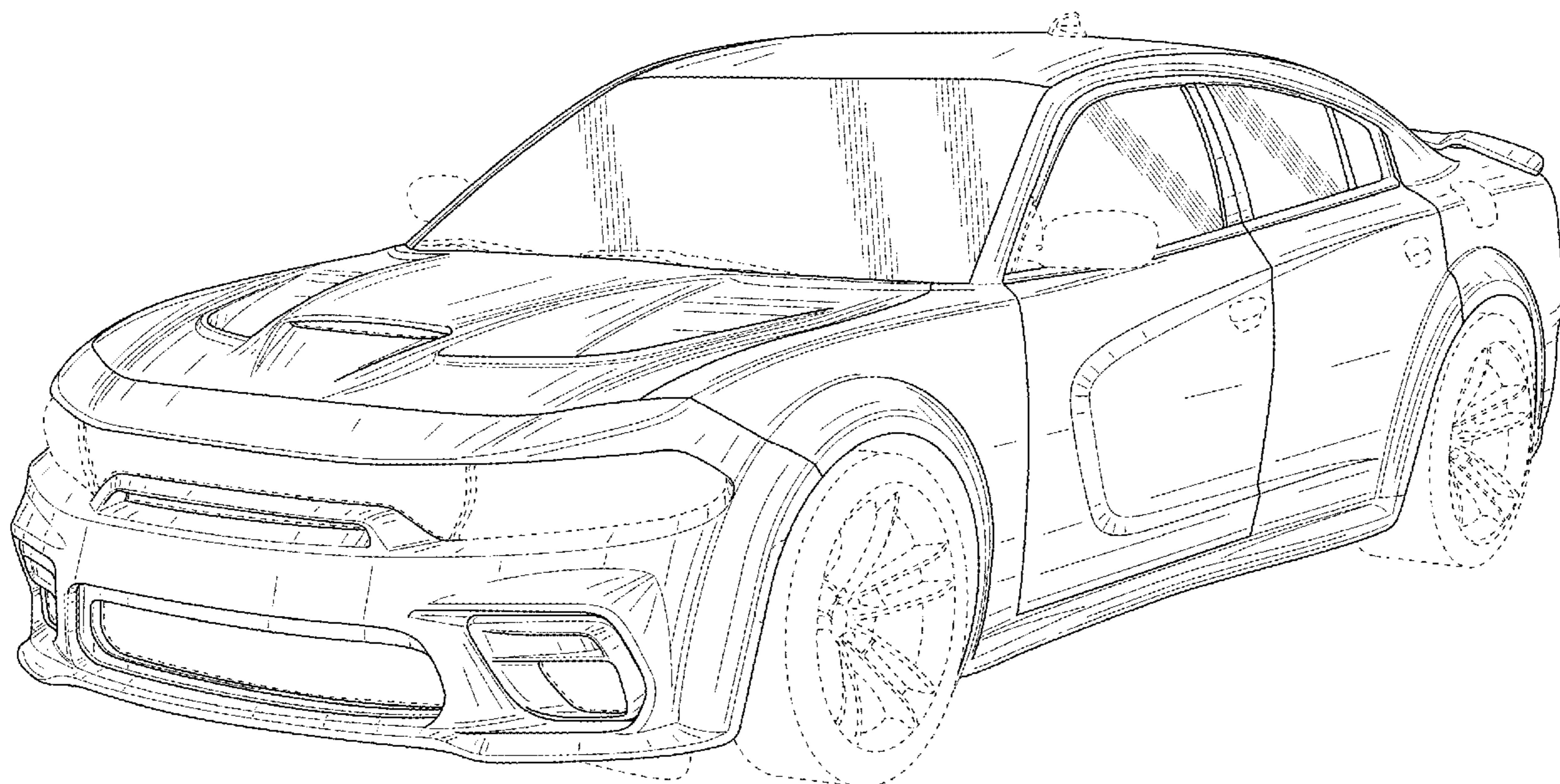
The ornamental design for an automobile body, as shown and described.

DESCRIPTION

FIG. 1 is a front view of an automobile body showing our new design;
FIG. 2 is a front perspective view thereof;
FIG. 3 is a rear view thereof;
FIG. 4 is a rear perspective view thereof;
FIG. 5 is a side view thereof; and,
FIG. 6 is a top plan view.

It will be understood that the broken lines shown in the drawings illustrate portions of the automobile body that form no part of claimed design,

1 Claim, 6 Drawing Sheets



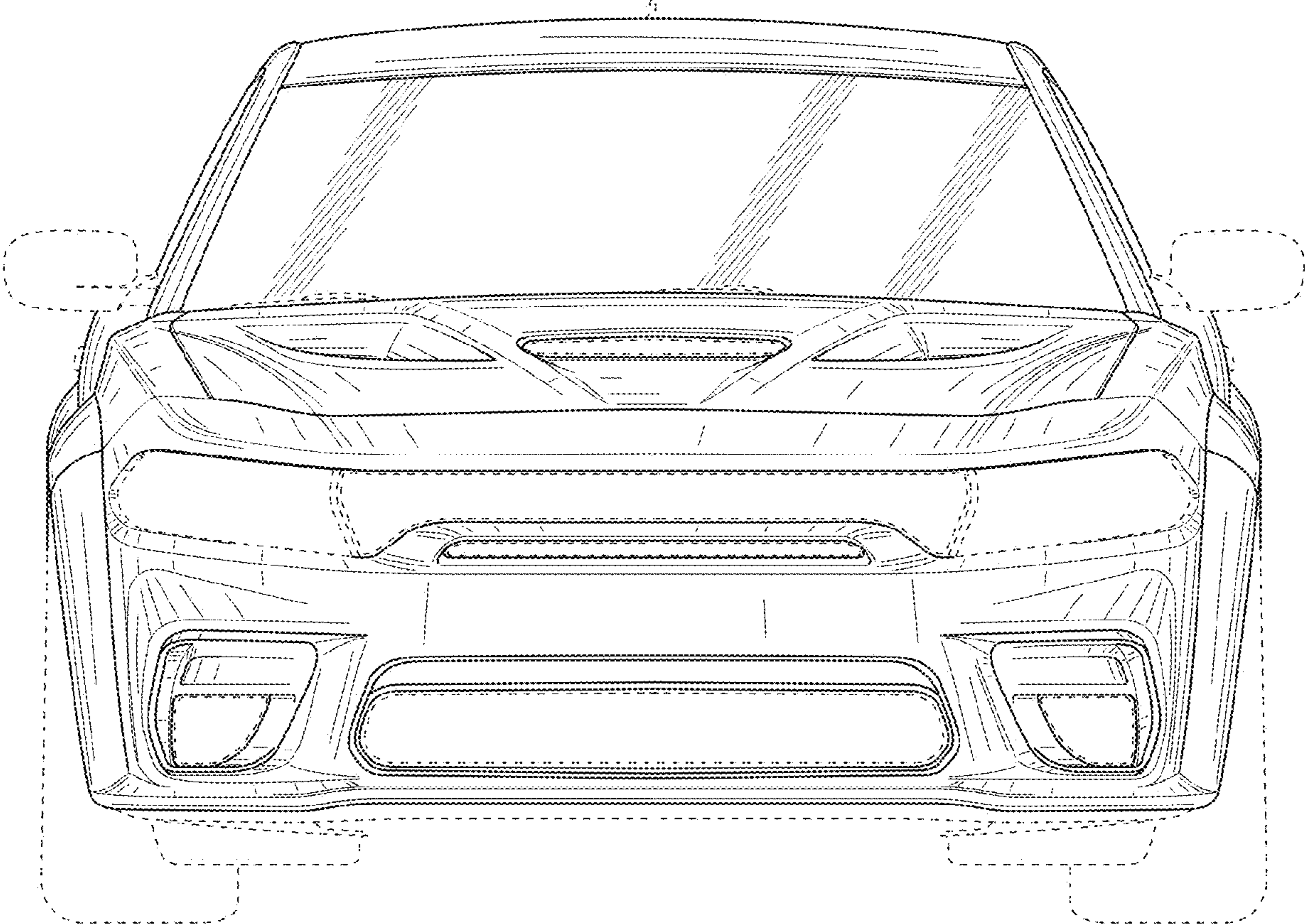


FIG. 1

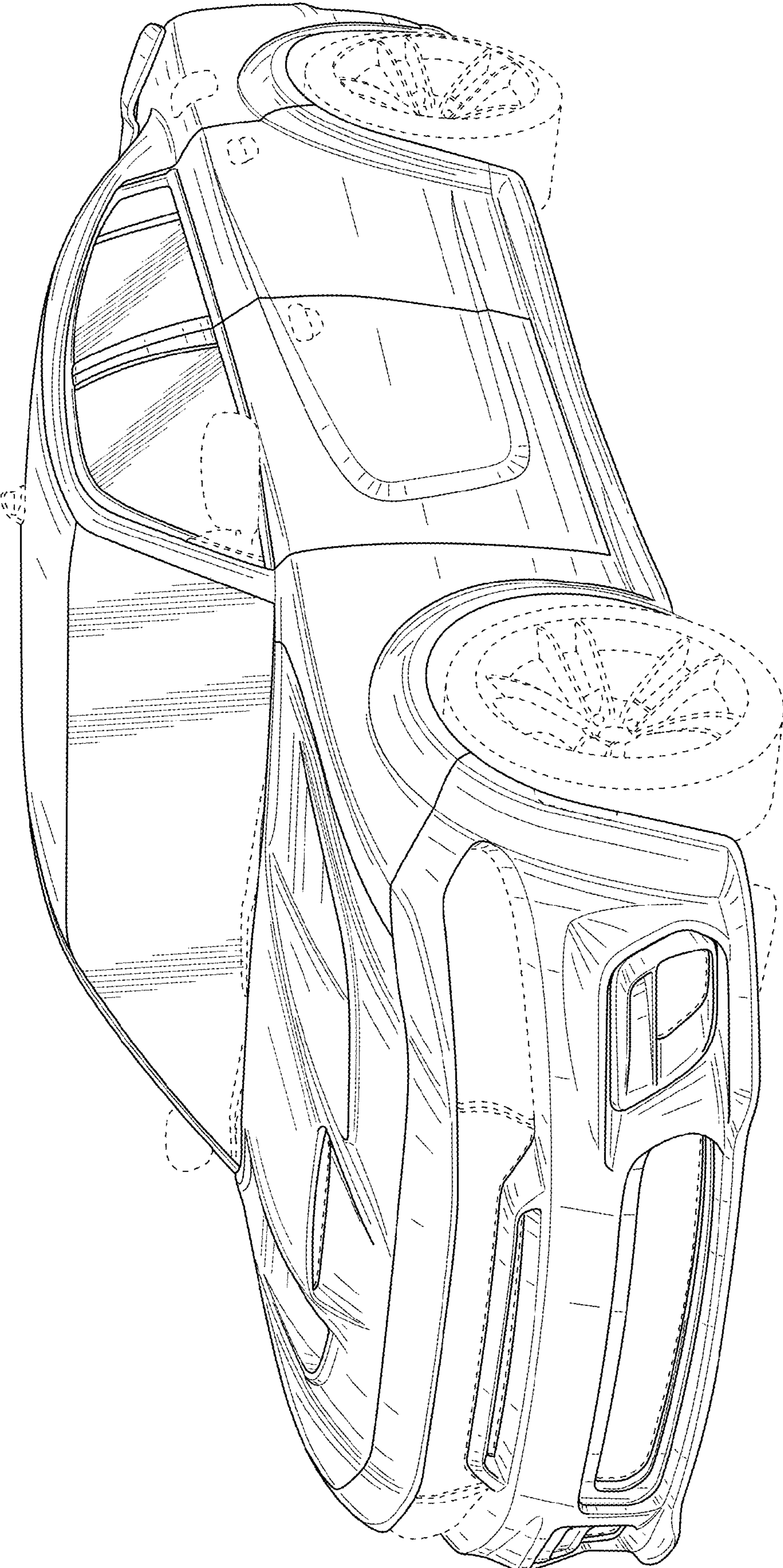


FIG. 2

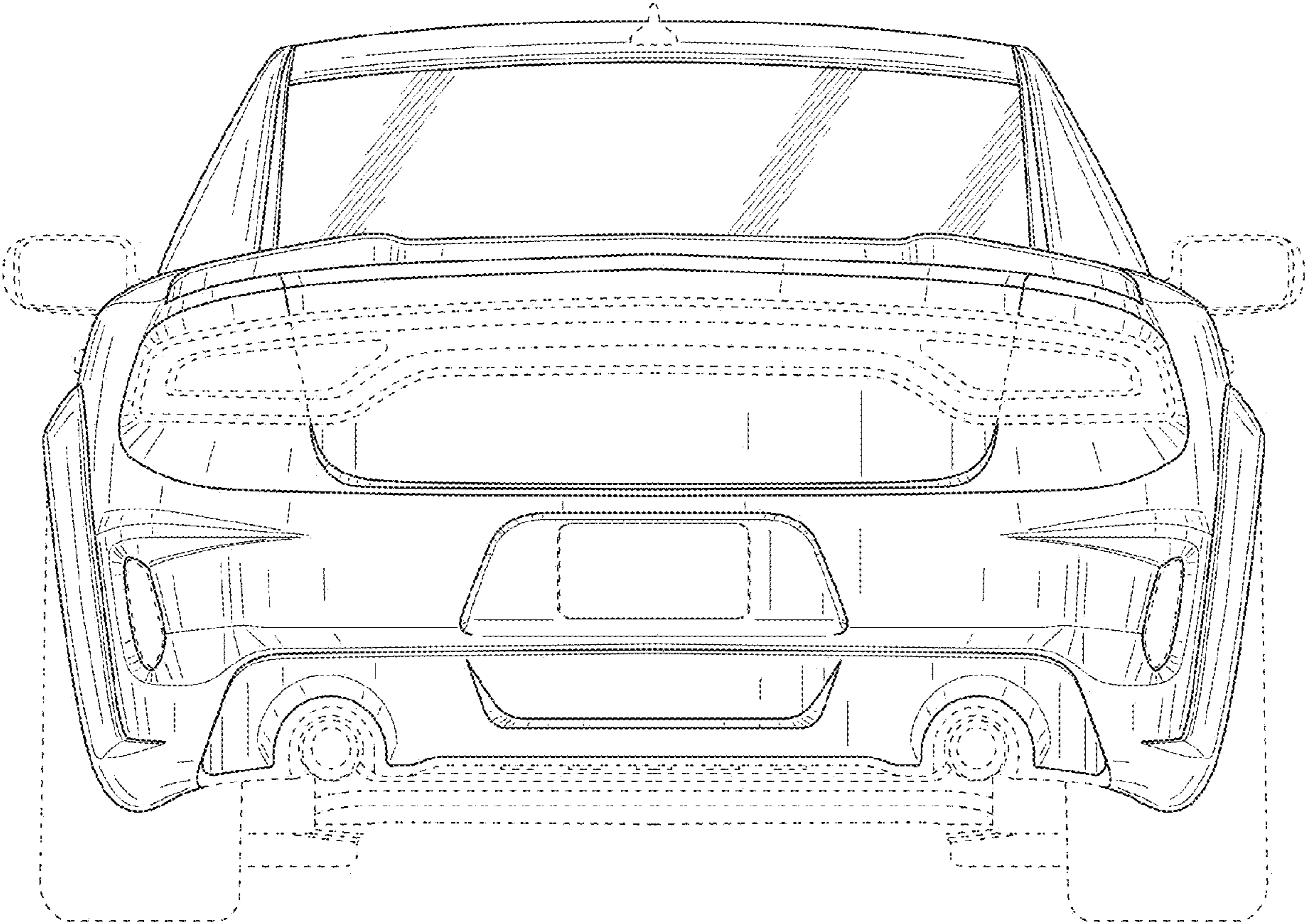


FIG. 3

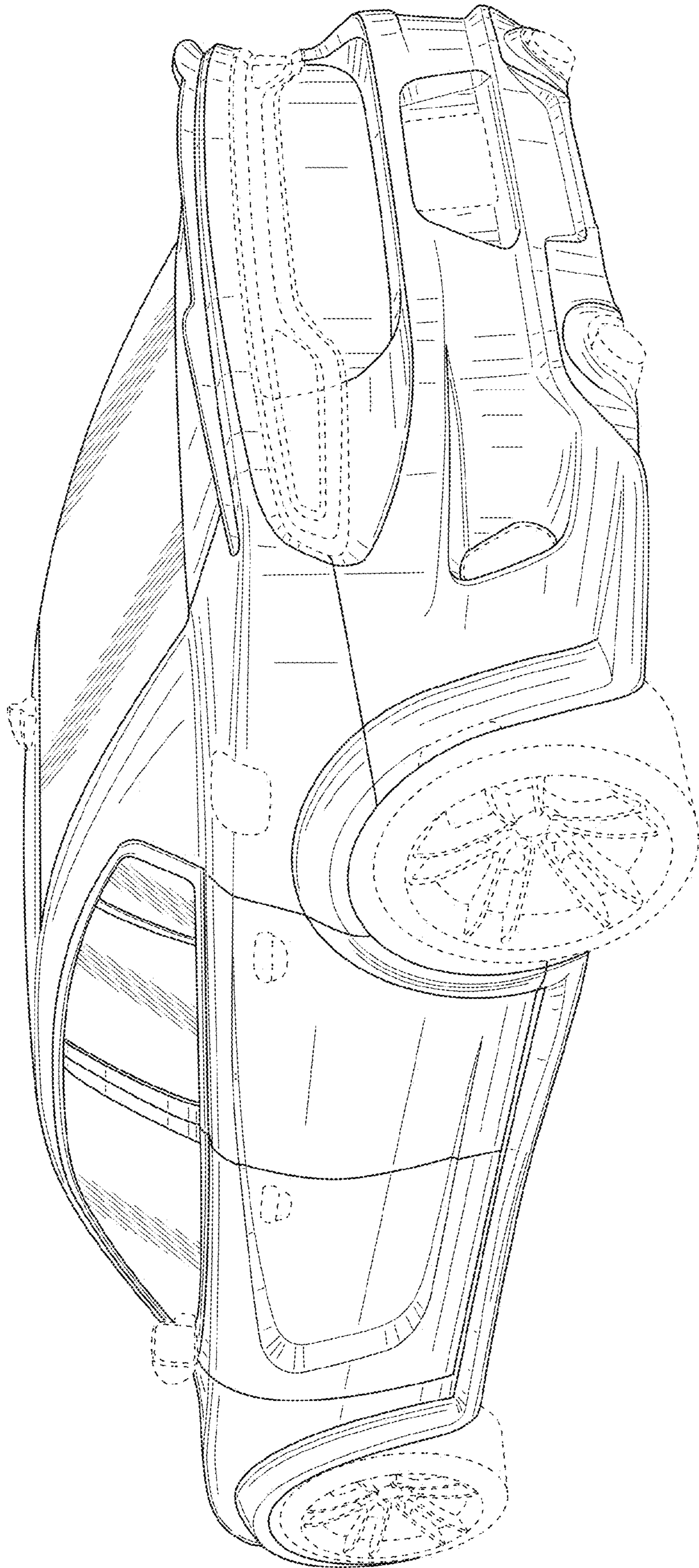


FIG. 4

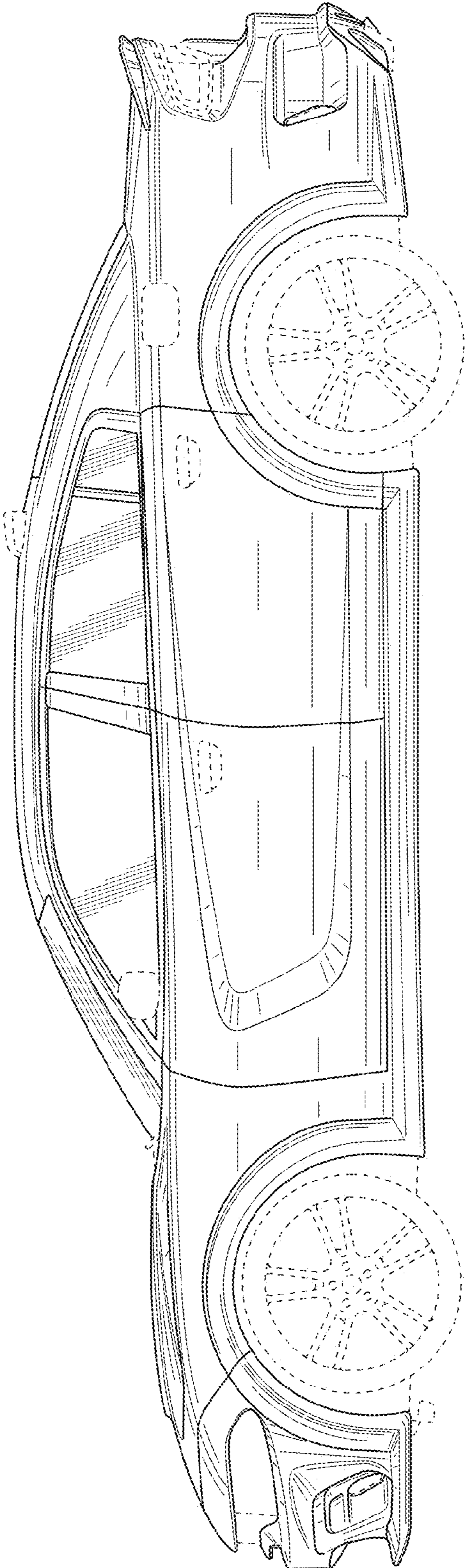


FIG. 5

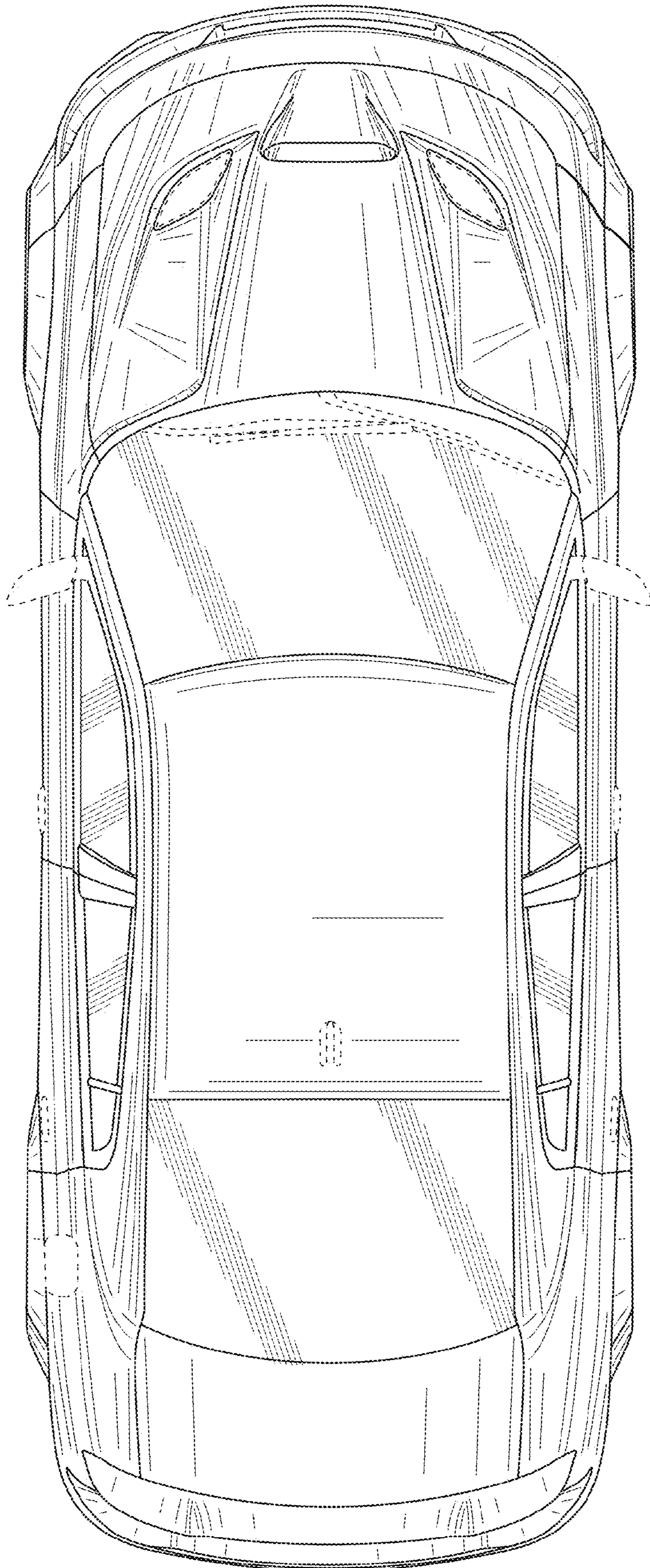


FIG. 6