



US00D872640S

(12) **United States Design Patent** (10) **Patent No.:** **US D872,640 S**
Newsome (45) **Date of Patent:** **** Jan. 14, 2020**

(54) **RAIN COLLECTION SCULPTURE**

(71) Applicant: **Allison L Newsome**, Warren, RI (US)

(72) Inventor: **Allison L Newsome**, Warren, RI (US)

(73) Assignee: **Allison L. Newsome**, Warren, RI (US)

(**) Term: **15 Years**

(21) Appl. No.: **29/603,235**

(22) Filed: **May 8, 2017**

(51) **LOC (12) Cl.** **11-02**

(52) **U.S. Cl.**
USPC **D11/157**

(58) **Field of Classification Search**
USPC D11/117, 131, 139, 141, 143, 151, 157,
D11/184; D23/200, 201; D10/56, 101;
428/542.2, 542.4, 542.6; 239/17
CPC B67C 11/00; E03B 3/02
See application file for complete search history.

(56) **References Cited**

U.S. PATENT DOCUMENTS

D330,345 S *	10/1992	Elmer	D11/121
D345,021 S *	3/1994	Storey	D11/117
D354,366 S *	1/1995	Kay	D11/117
D463,047 S *	9/2002	Trenkle	D26/138
6,527,197 B1 *	3/2003	Lin	B05B 17/08 239/16
D658,536 S *	5/2012	Roch	D11/143
D659,885 S *	5/2012	Holder	D26/127
D663,234 S *	7/2012	Gaspard	D11/131
D698,988 S *	2/2014	Laviani	D26/123
D797,962 S *	9/2017	Voss	D11/125
D813,426 S *	3/2018	Voss	D26/14
D813,427 S *	3/2018	Voss	D26/16

(Continued)

OTHER PUBLICATIONS

RainKeep sculpture by Allison Newsome (via Massachusetts Nature Conservancy Facebook page), available Oct. 17, 2017, [online],

[site visited Mar. 17, 2019]. Available from internet, <URL: <https://risca.online/2017/10/17/meet-bristol-garden-club-and-diana-hoffman/>> (Year: 2017).*

(Continued)

Primary Examiner — W. A. Teddy Falloway
(74) *Attorney, Agent, or Firm* — Adler Pollock & Sheehan P.C.

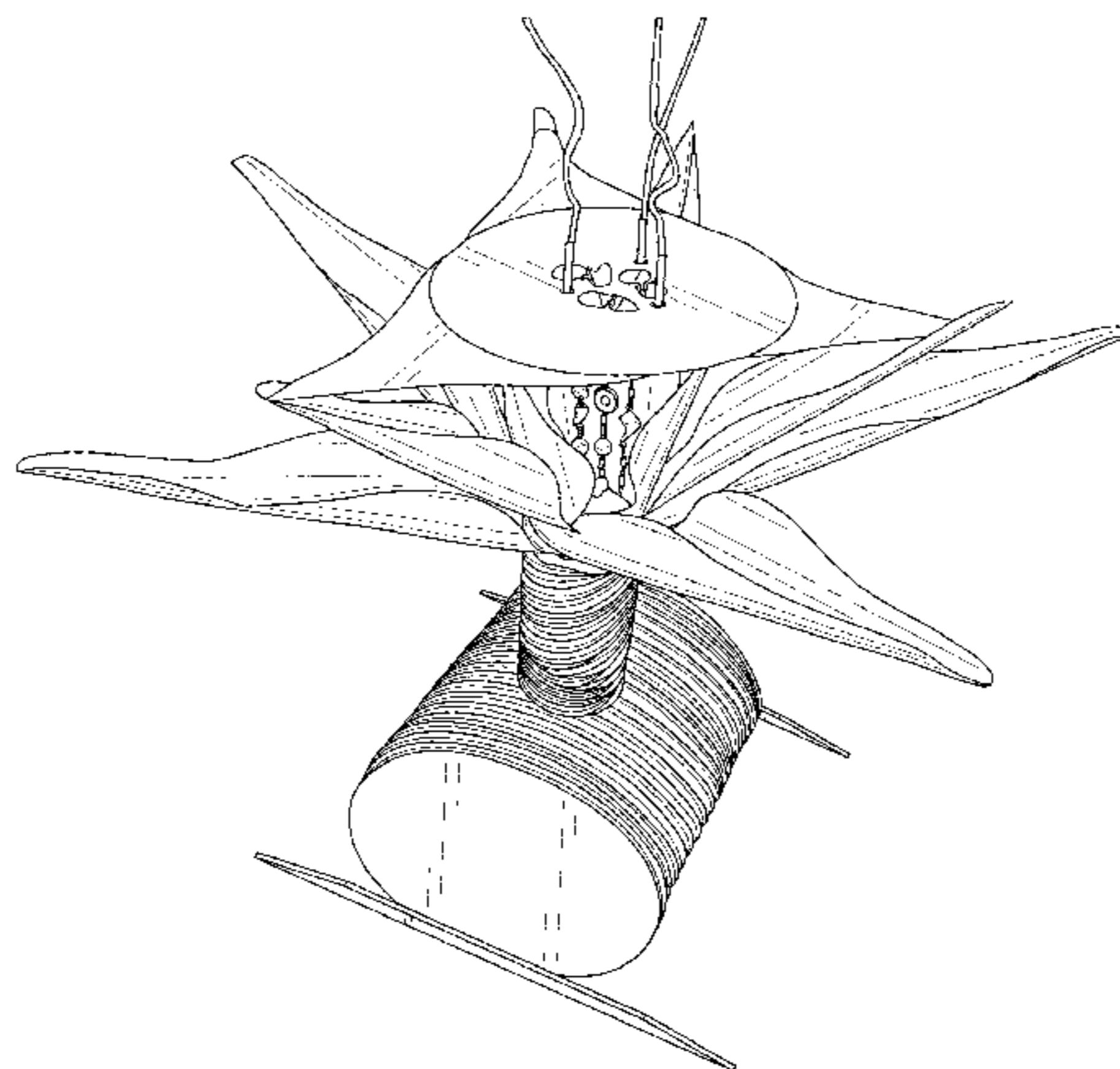
(57) **CLAIM**

The ornamental design for a rain collection sculpture, substantially as shown and described.

DESCRIPTION

FIG. 1 is a perspective view of the design of a rain collection sculpture.
FIG. 2 is a front perspective view of the rain collection sculpture of FIG. 1.
FIG. 3 is a rear view of the rain collection sculpture of FIG. 1.
FIG. 4 is a first side view of the rain collection sculpture of FIG. 1.
FIG. 5 is a second view of the rain collection sculpture of FIG. 1.
FIG. 6 is a top view of the design of a rain collection sculpture of FIG. 1.
FIG. 7 is a bottom view of the rain collection sculpture of FIG. 1.
FIG. 8 is an enlarged, partial view of the rain collection sculpture.
FIG. 9 is another enlarged, partial view of the rain collection sculpture.
FIG. 10 is another enlarged, partial view of the rain collection sculpture.
FIG. 11 is another enlarged, partial view of the rain collection sculpture; and,
FIG. 12 is another enlarged, partial view of the rain collection sculpture.

1 Claim, 12 Drawing Sheets



(56)

References Cited

U.S. PATENT DOCUMENTS

D814,668 S * 4/2018 Voss D26/16
D832,471 S * 10/2018 Voss D26/14
2002/0074427 A1* 6/2002 Ericksen B05B 17/08
239/211
2014/0321152 A1* 10/2014 Cayton G02B 6/0005
362/555
2018/0266086 A1* 9/2018 Newsome A61M 16/0438

OTHER PUBLICATIONS

Garden Sculpture Project—"RainKeep", available Nov. 16, 2018, [online], [site visited Mar. 17, 2019]. Available from internet, <URL: <https://www.facebook.com/MA.NatureConservancy/photos/a.209020119126905/2364123640283198/?type=1&theater> (Year: 2018).*

* cited by examiner

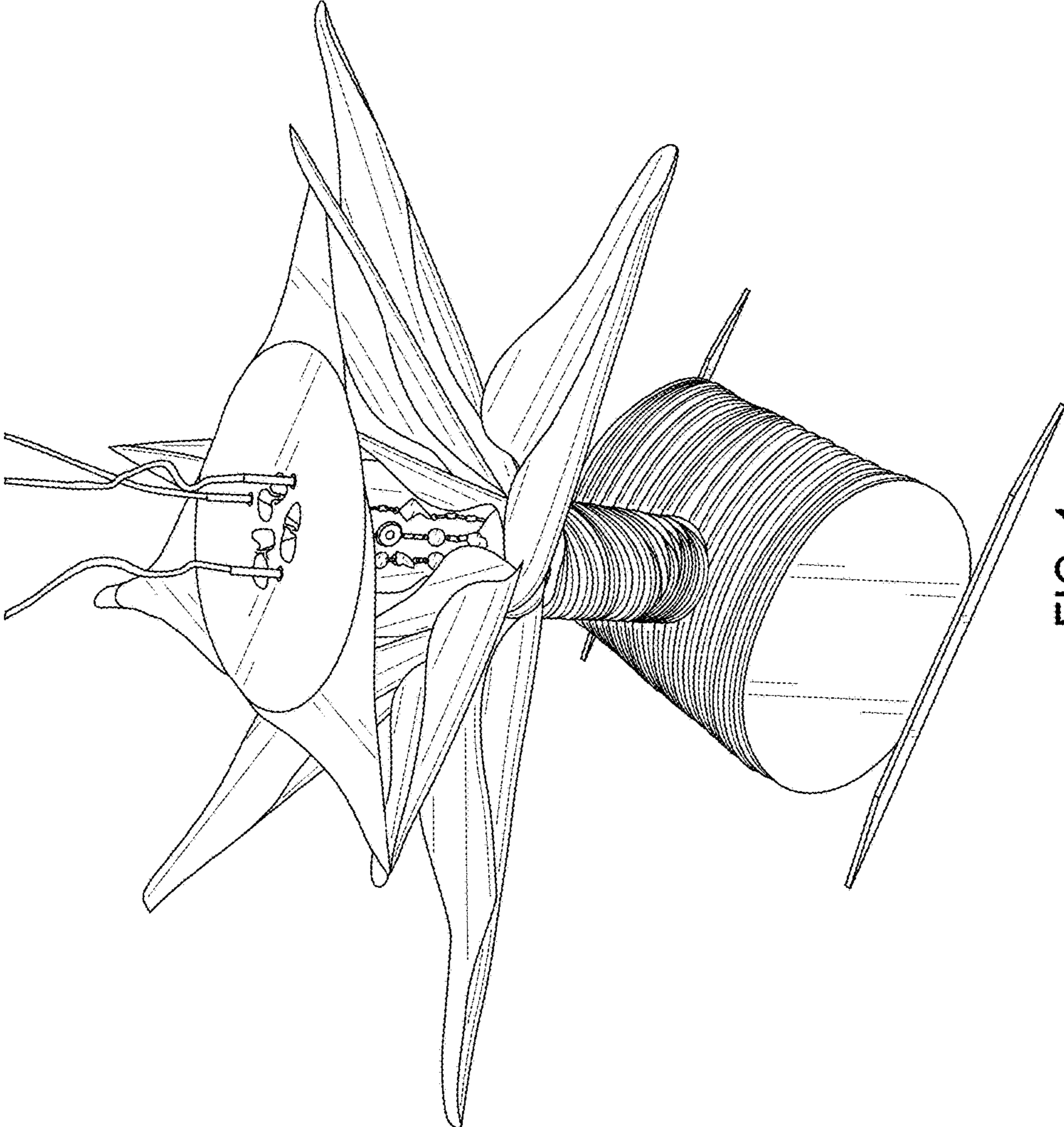


FIG. 1

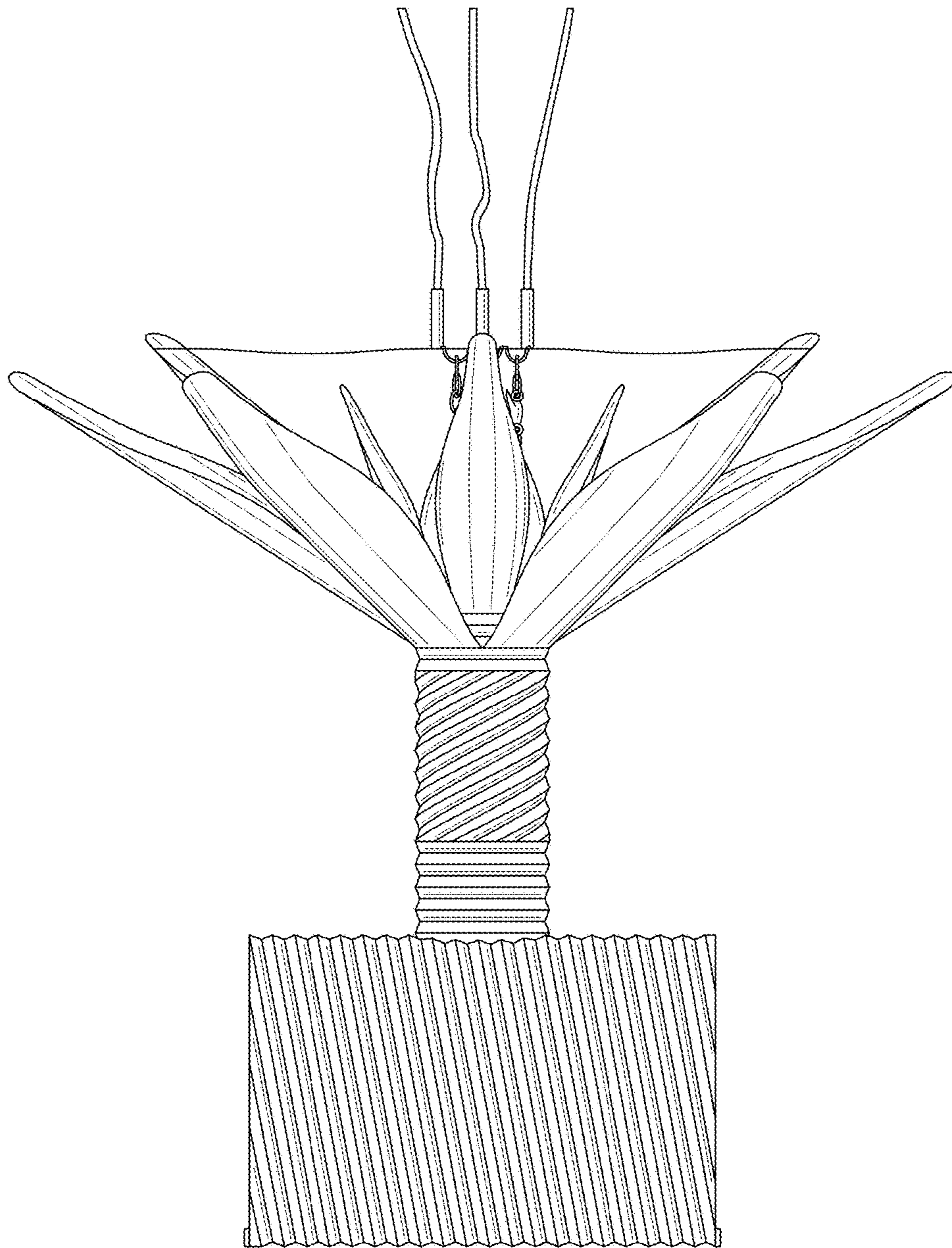


FIG. 2

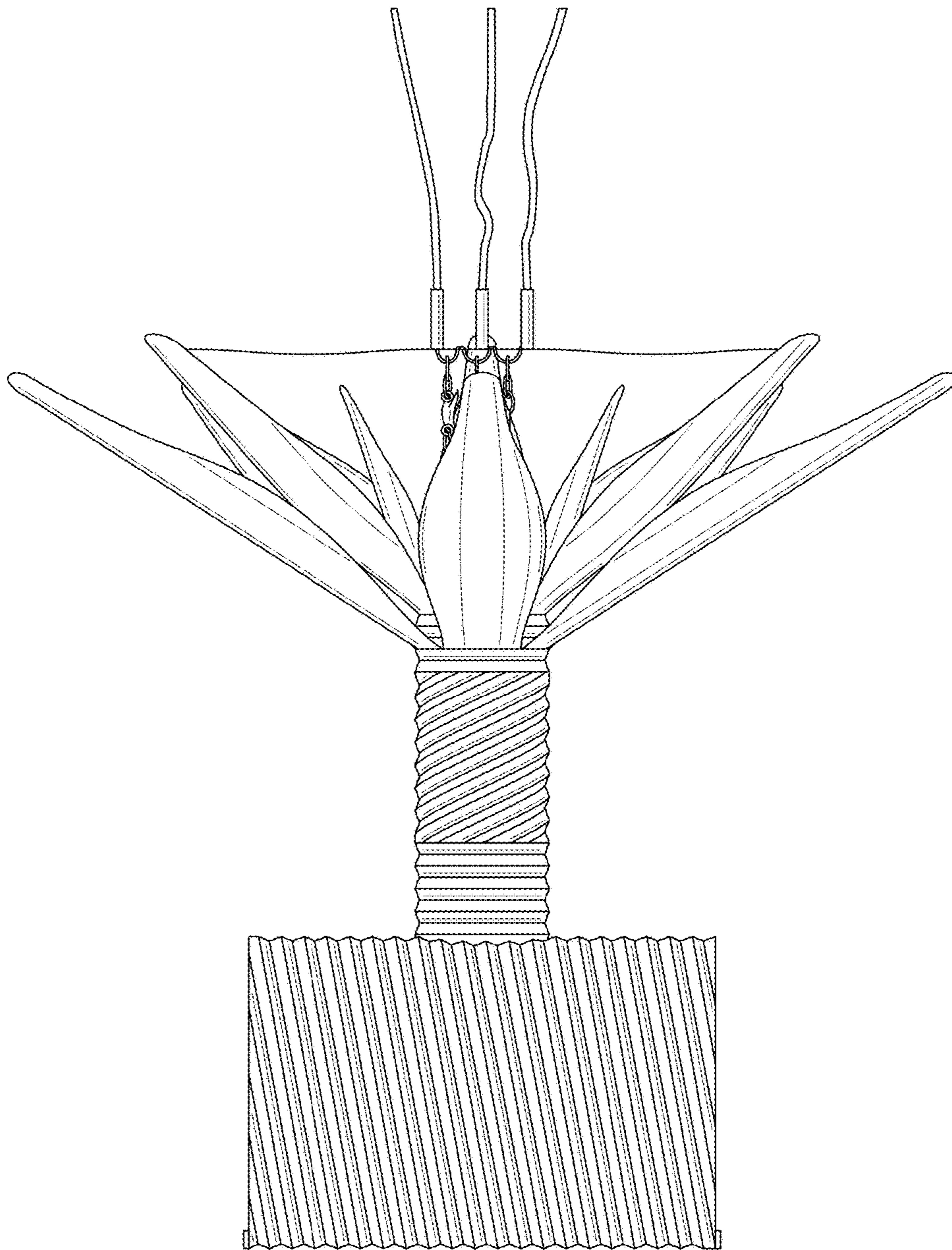


FIG. 3

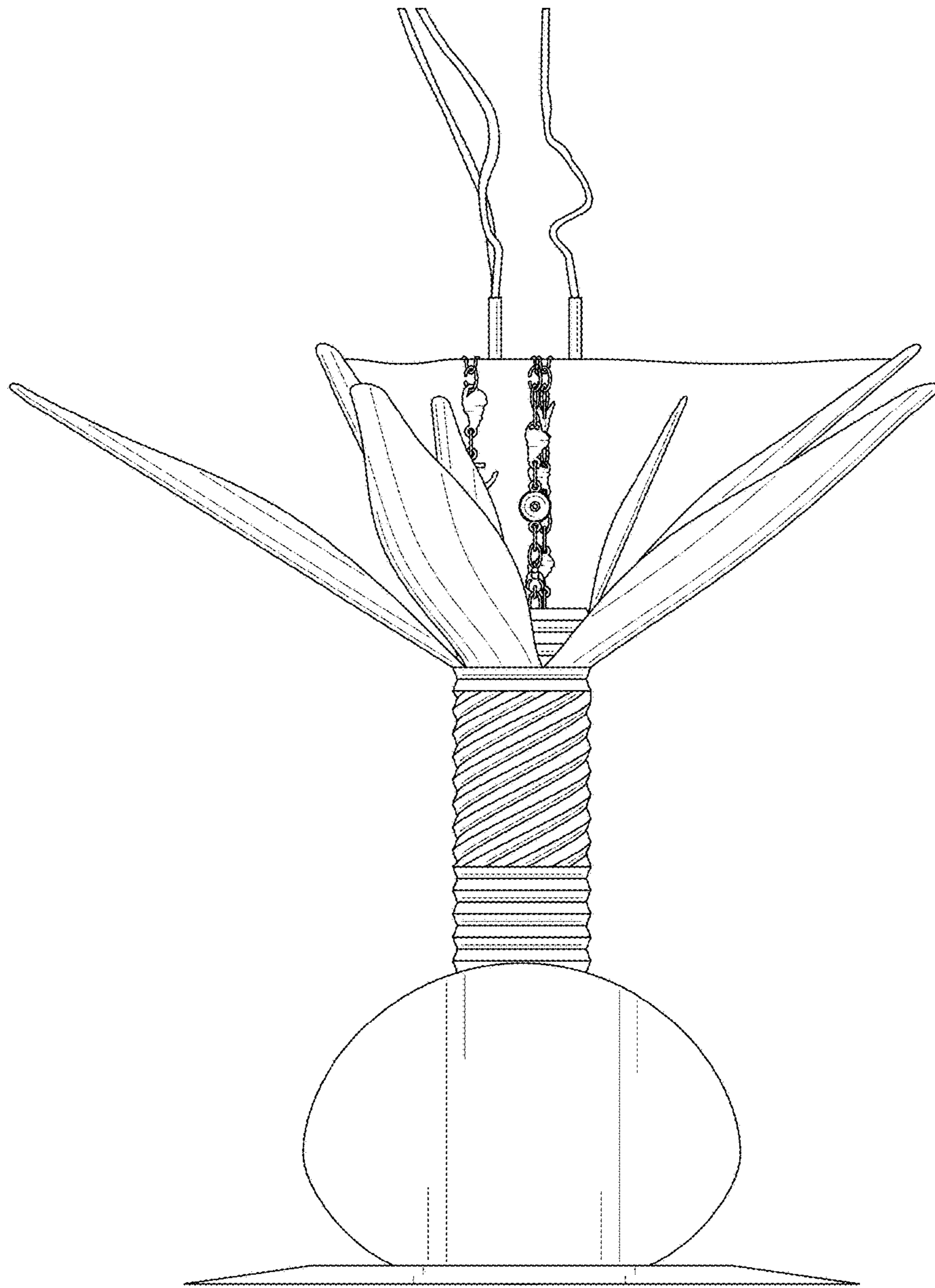


FIG. 4

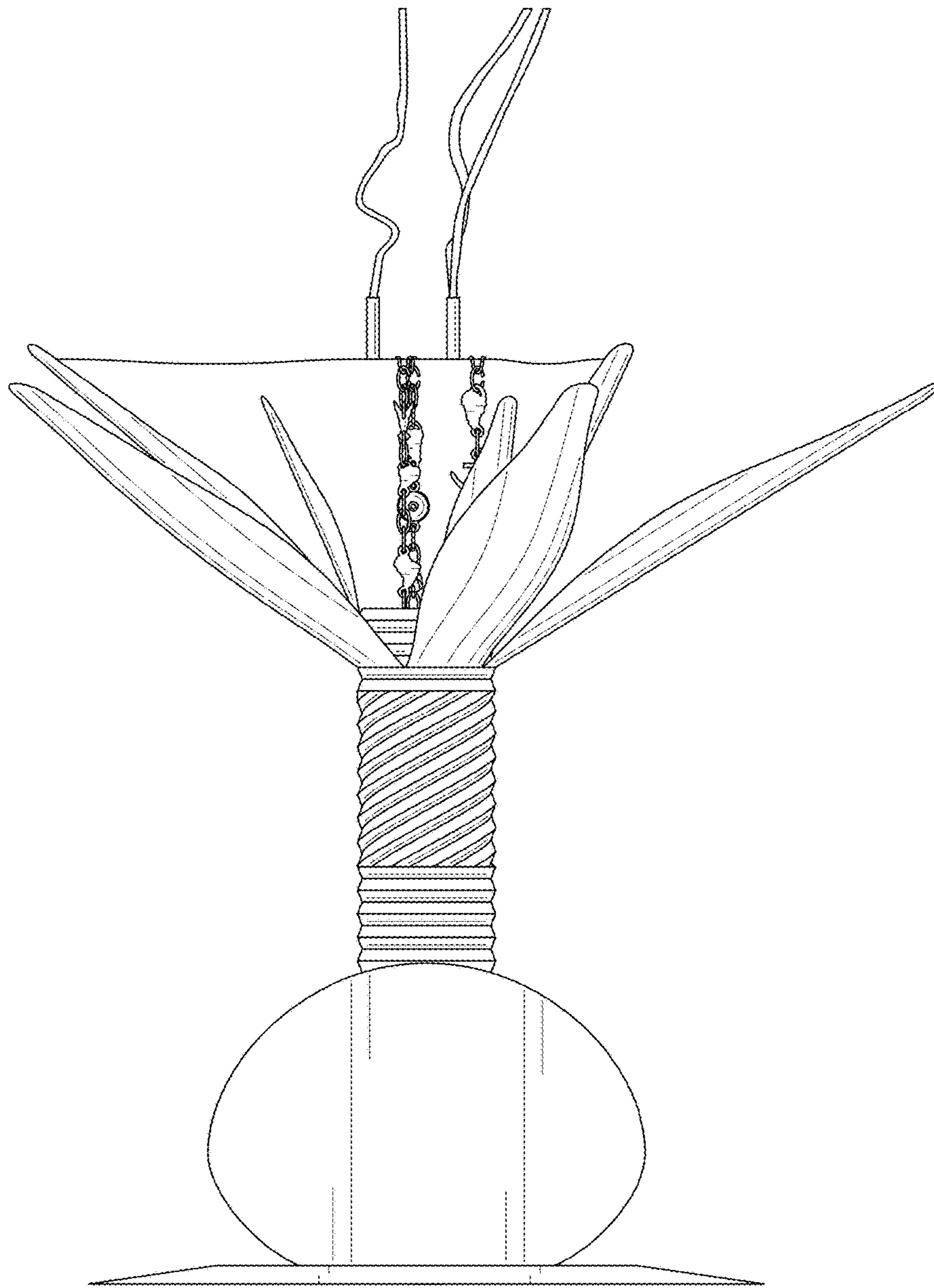


FIG. 5

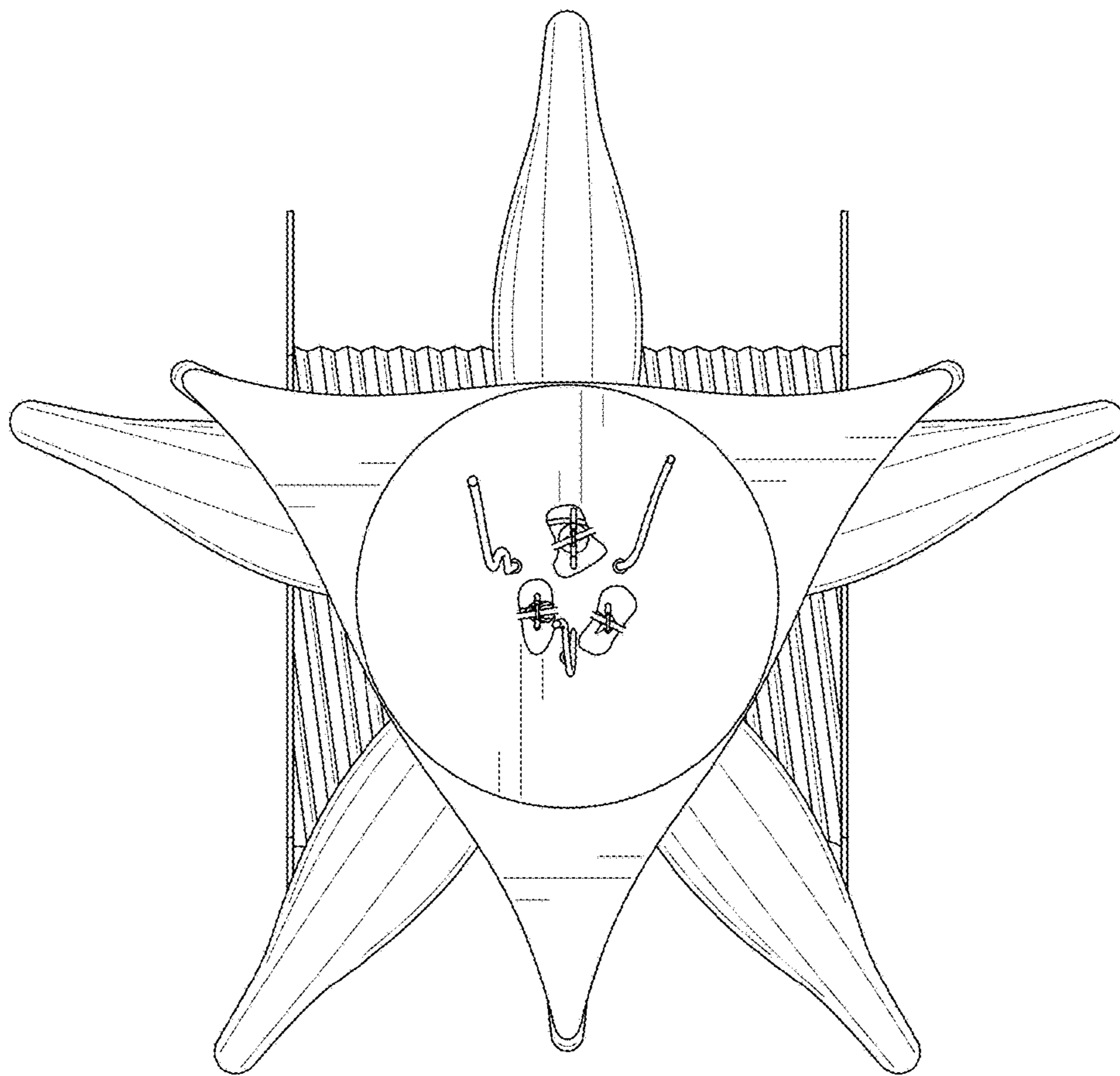


FIG. 6

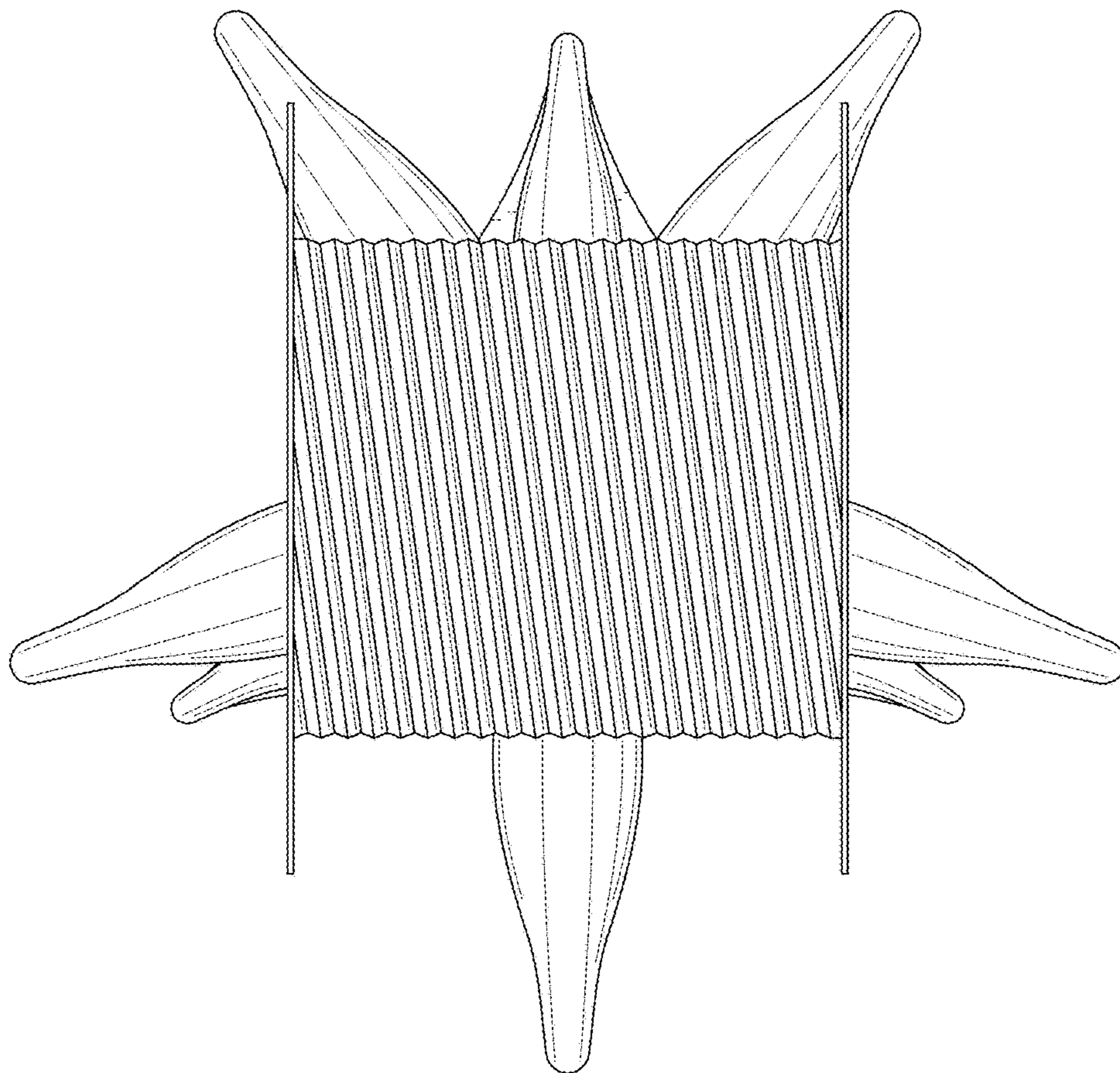


FIG. 7

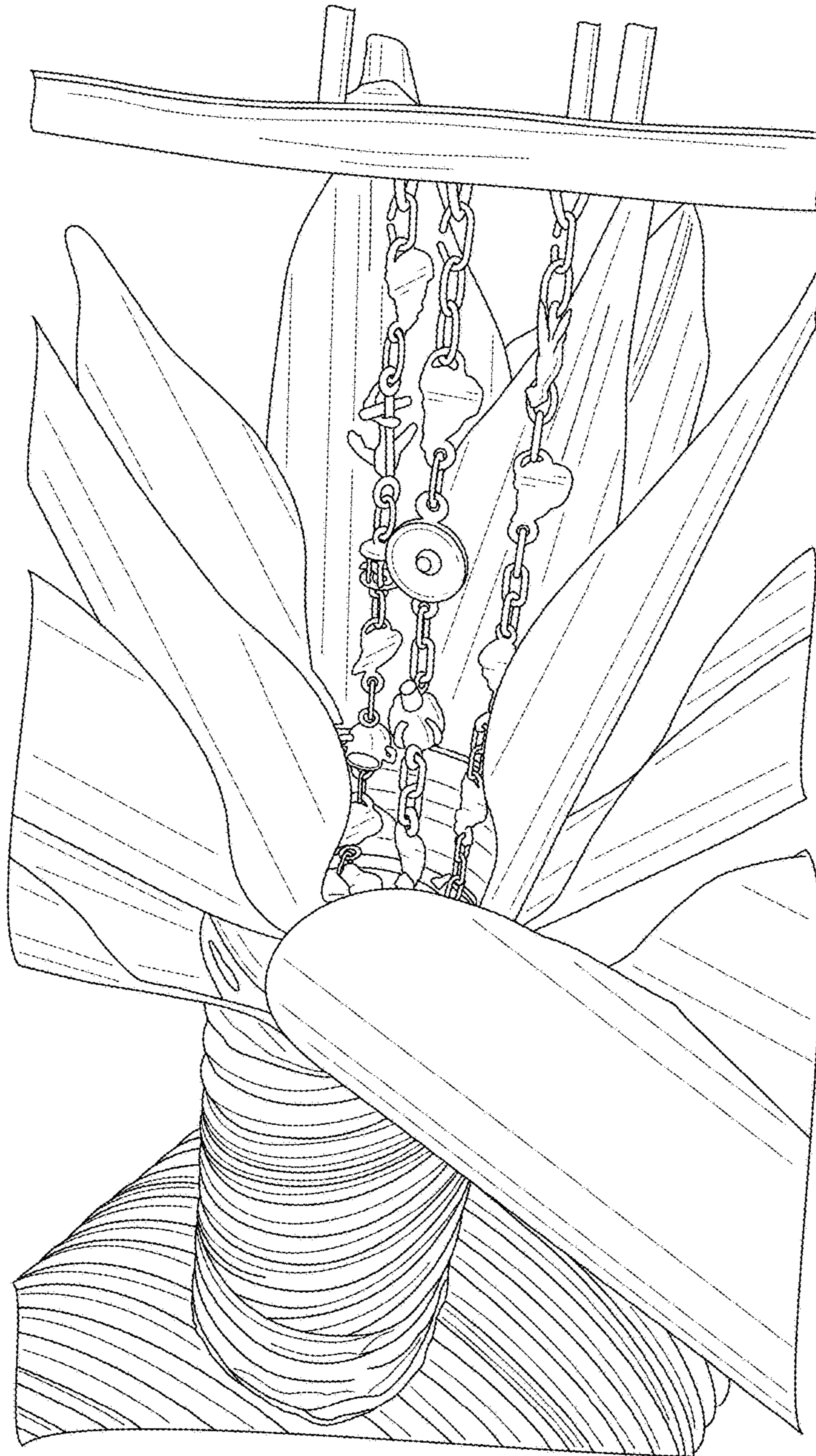


FIG. 8

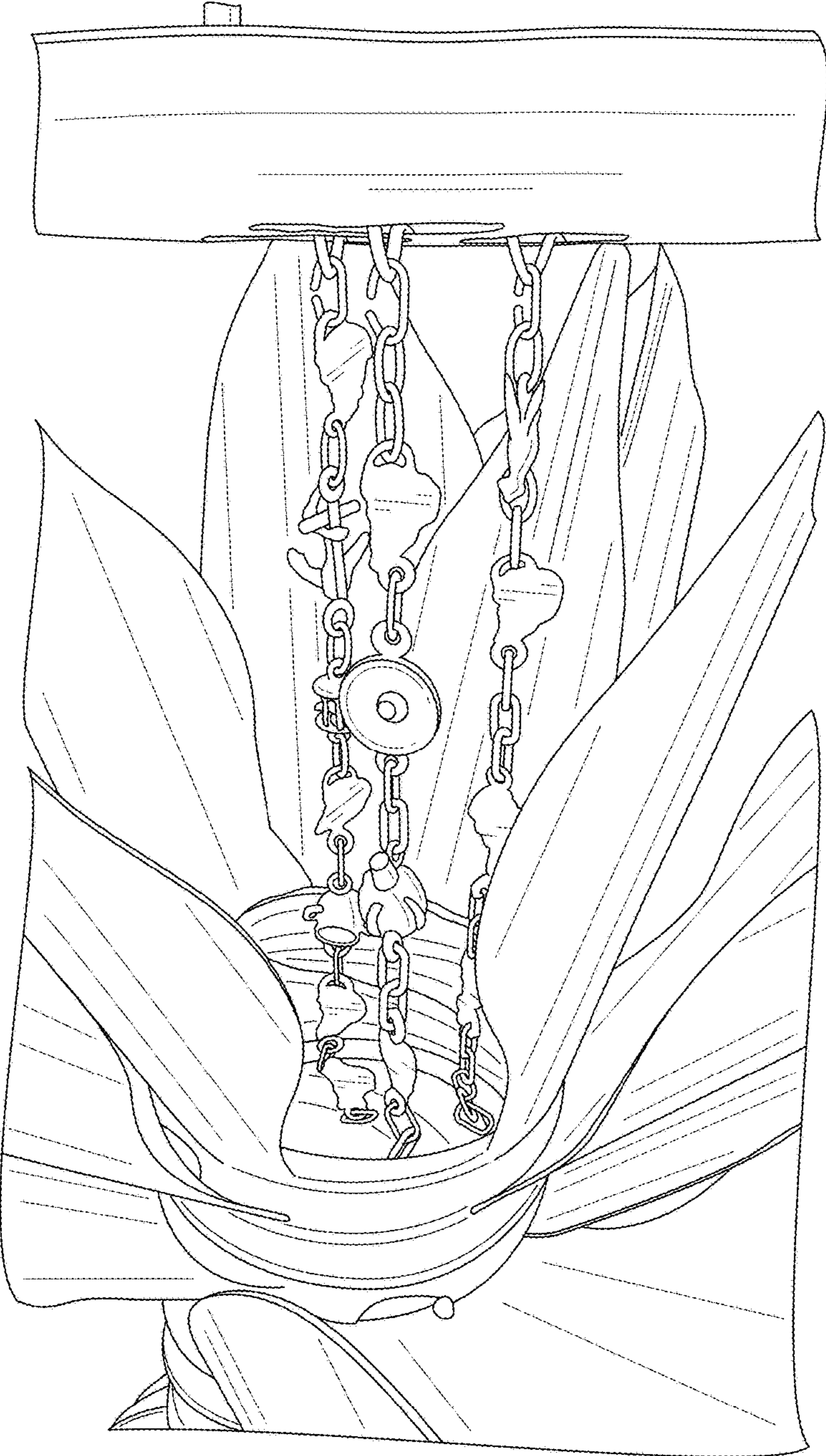


FIG. 9

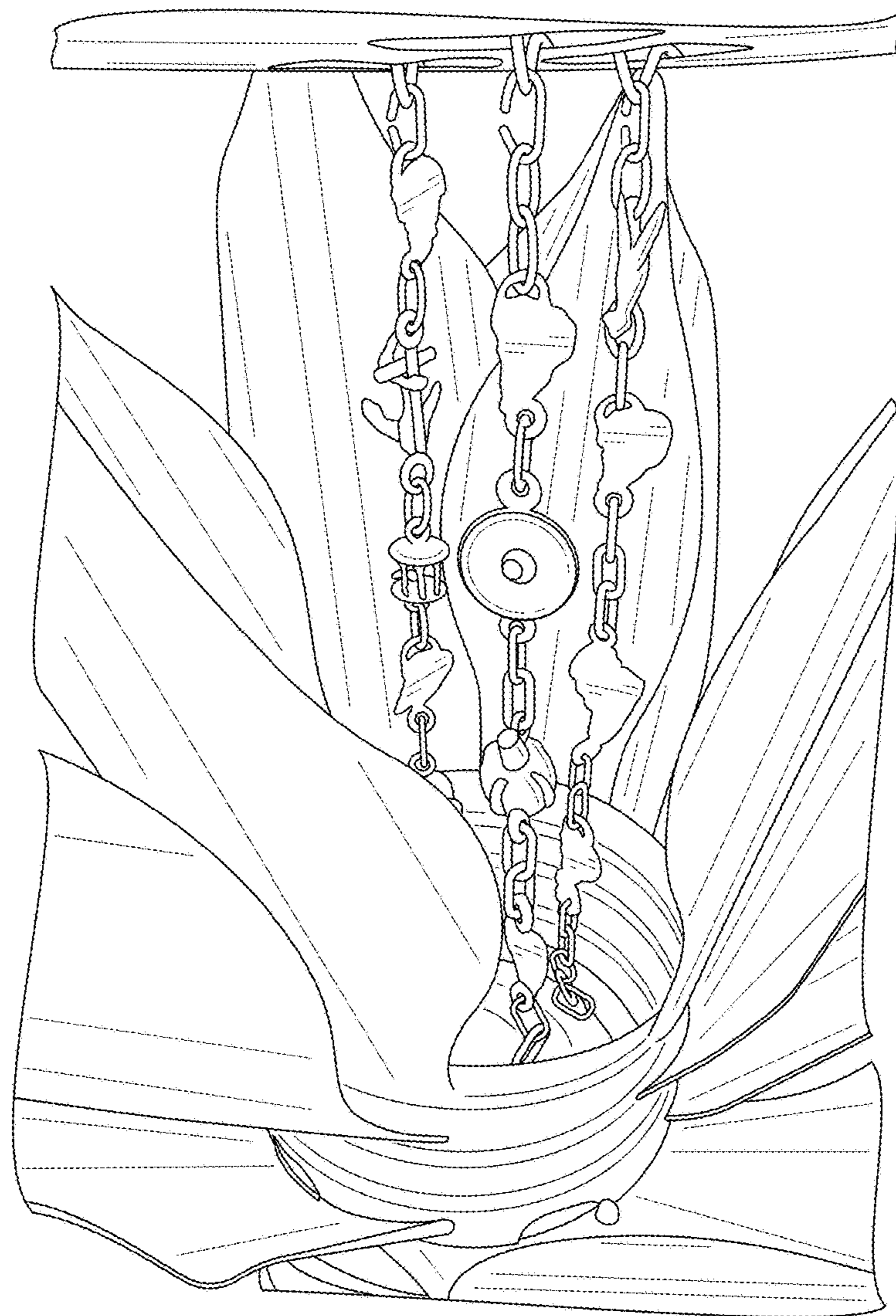


FIG. 10

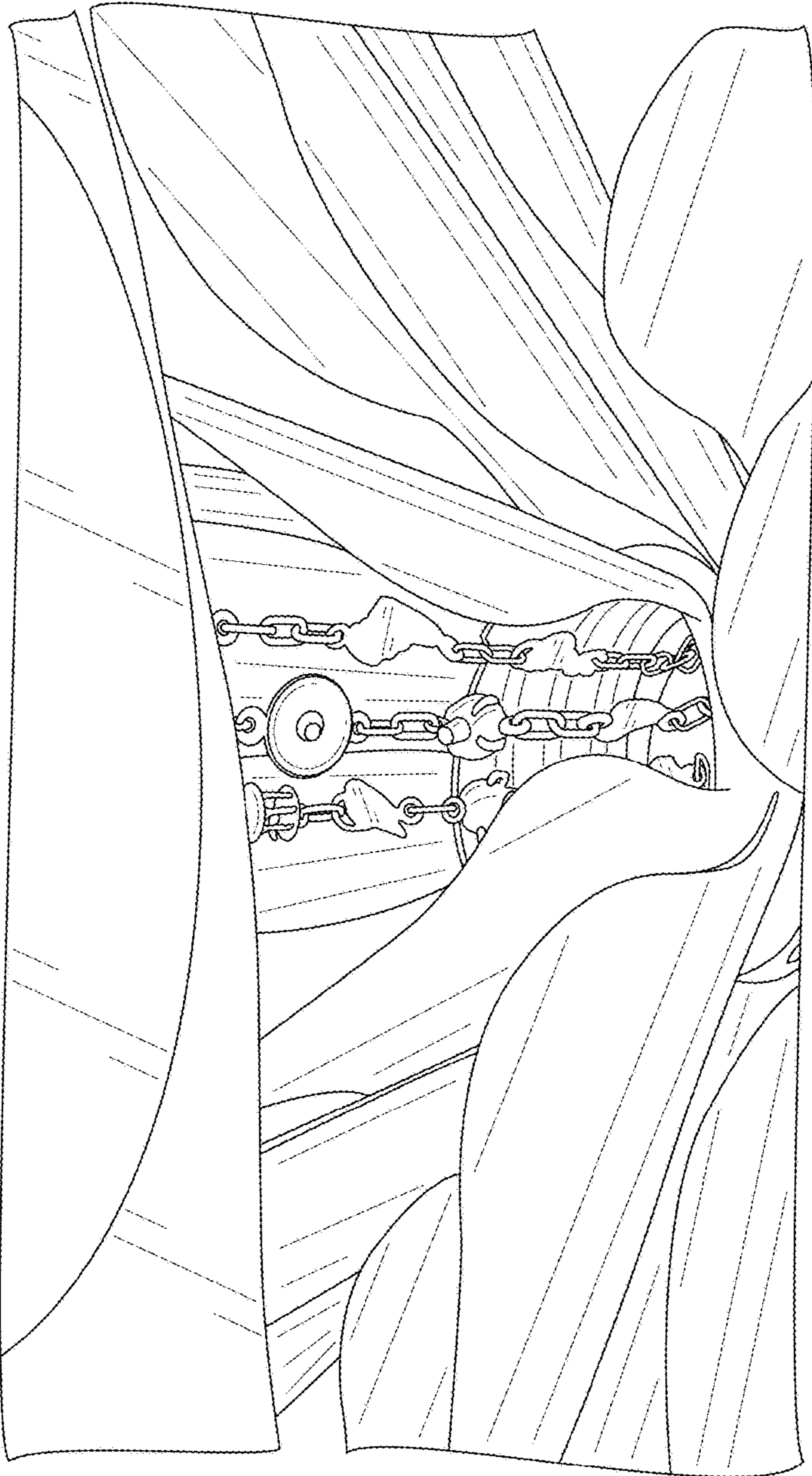


FIG. 11

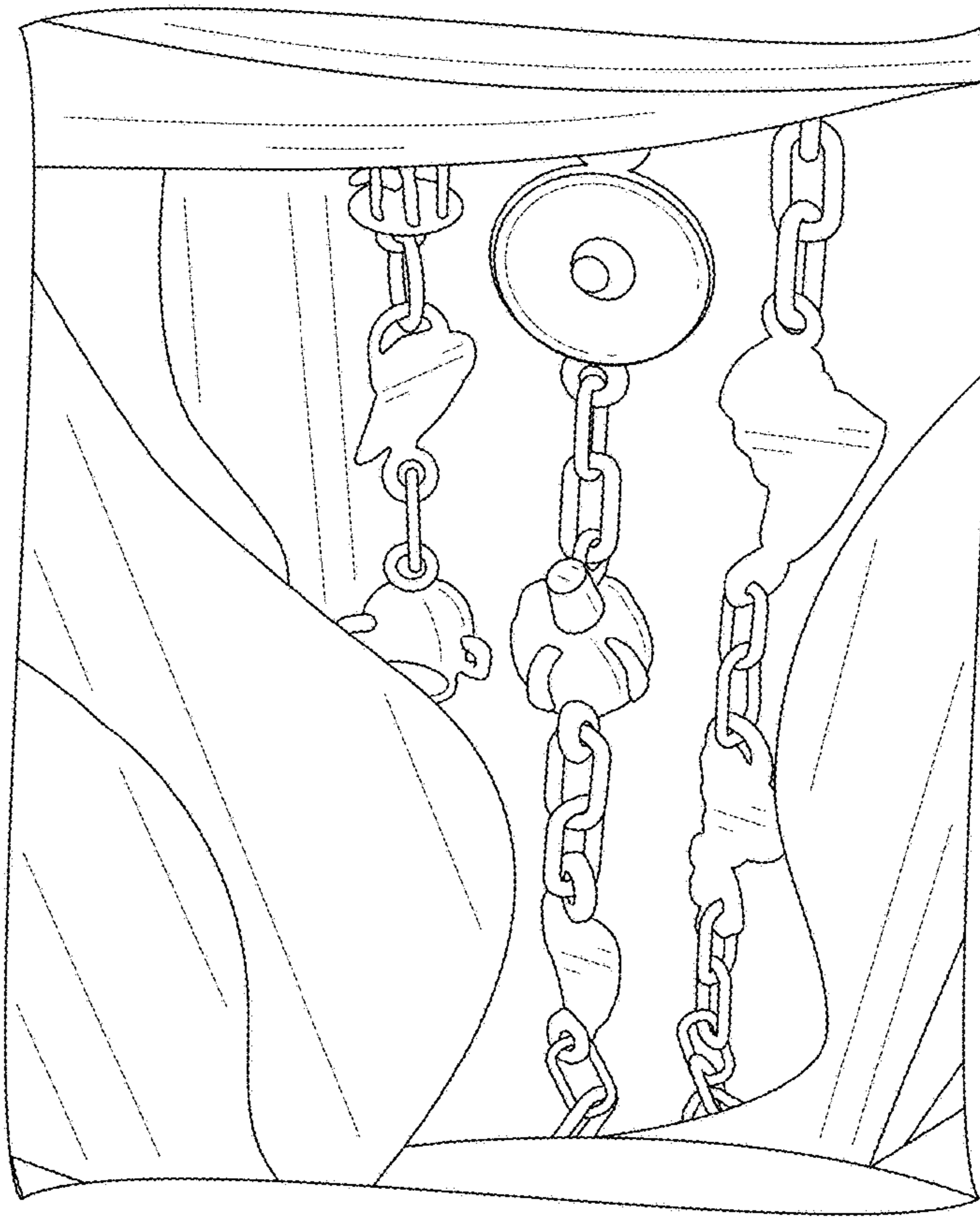


FIG. 12