



US00D872639S

(12) **United States Design Patent** (10) **Patent No.:** **US D872,639 S**
Larsen (45) **Date of Patent:** **** Jan. 14, 2020**

(54) **MODULAR LANDSCAPE PLANTER**

D667,151 S * 9/2012 Arslanian D26/9
D697,759 S * 1/2014 Katterheinrich D7/584
D735,602 S * 8/2015 Anderson D11/155

(71) Applicant: **Dotchi, LLC**, Miami, FL (US)

(Continued)

(72) Inventor: **Lars Holme Larsen**, Copenhagen (DK)

FOREIGN PATENT DOCUMENTS

(**) Term: **15 Years**

CN 2031197 U 1/1989
DE 20 2006 000 586 U1 5/2006

(21) Appl. No.: **29/592,183**

(Continued)

(22) Filed: **Jan. 27, 2017**

OTHER PUBLICATIONS

(51) **LOC (12) Cl.** **11-02**

Playmobil USA Lechuza Classico Self-Watering Polypropylene Indoor/Outdoor Planter, <http://www.hayneedle.com/product/classicoindoorplanter.cfm>, Retrieved from internet Feb. 16, 2015.

(52) **U.S. Cl.**

USPC **D11/155**

(58) **Field of Classification Search**

USPC D3/306; D6/403, 404, 405; D7/560, D7/561, 562, 565, 584, 585, 586, 587, D7/588; D9/424, 428, 429; D11/144, D11/145, 146, 147, 148, 149, 150, 151, D11/152, 153, 154, 155, 156, 164
CPC B65D 5/00; B65D 5/0015; B65D 5/061; B65D 5/18; B65D 5/20; B65D 5/32; B65D 5/321; B65D 5/322

See application file for complete search history.

Primary Examiner — Karen S Acker
Assistant Examiner — Steven B Reinholdt, Jr.
(74) *Attorney, Agent, or Firm* — Cozen O'Connor

(57) **CLAIM**

I claim the ornamental design for a modular landscape planter, as shown and described.

DESCRIPTION

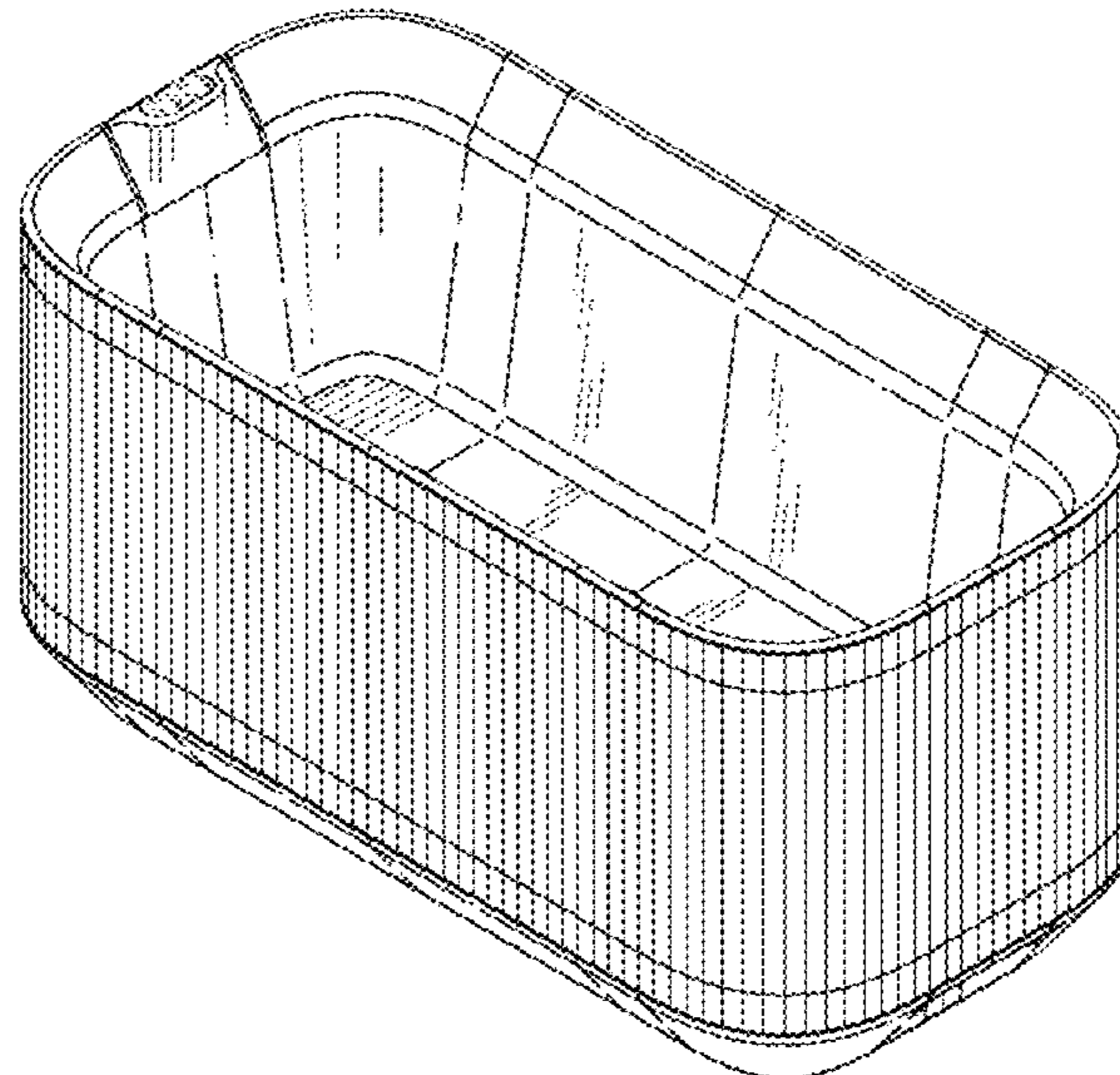
(56) **References Cited**

U.S. PATENT DOCUMENTS

D138,755 S * 9/1944 Benton D34/1
D219,721 S * 1/1971 Banel D11/155
3,552,058 A 1/1971 Fici
3,775,904 A 12/1973 Peters
D236,018 S * 7/1975 Swift D11/155
4,528,774 A 7/1985 Skaife
D419,442 S * 1/2000 McClung D9/425
6,191,310 B1 2/2001 Knifton et al.
6,345,470 B1 2/2002 Slaght et al.
D495,597 S * 9/2004 Rubalcava D9/424
7,171,783 B1 2/2007 Fidotti
D553,980 S * 10/2007 VerWeyst D9/432
D596,074 S * 7/2009 Bodum D11/155
7,703,240 B2 4/2010 Watson et al.
D655,221 S * 3/2012 Adams D11/155

FIG. 1 illustrates a top perspective view of a modular landscape planter.
FIG. 2 illustrates a side view of the modular landscape planter of FIG. 1.
FIG. 3 illustrates a side view of the modular landscape planter of FIG. 1.
FIG. 4 illustrates a top view of the modular landscape planter of FIG. 1.
FIG. 5 illustrates a side view of the modular landscape planter of FIG. 1; and,
FIG. 6 illustrates a bottom view of the modular landscape planter of FIG. 1.
The broken lines depict portions of the modular landscape planter that form no part of the claim.

1 Claim, 3 Drawing Sheets



(56)

References Cited

U.S. PATENT DOCUMENTS

D778,156 S * 2/2017 Follett D9/432
D801,808 S * 11/2017 Irimia D9/432
D803,675 S * 11/2017 Middleton D9/424
2005/0005518 A1 1/2005 Iseki et al.

FOREIGN PATENT DOCUMENTS

DE 10 2005 058 436 A1 6/2007
EP 0 171 889 A1 2/1986
EP 1 541 011 A1 6/2005
EP 2 644 024 A1 10/2013
WO 2009/125023 A1 10/2009

* cited by examiner

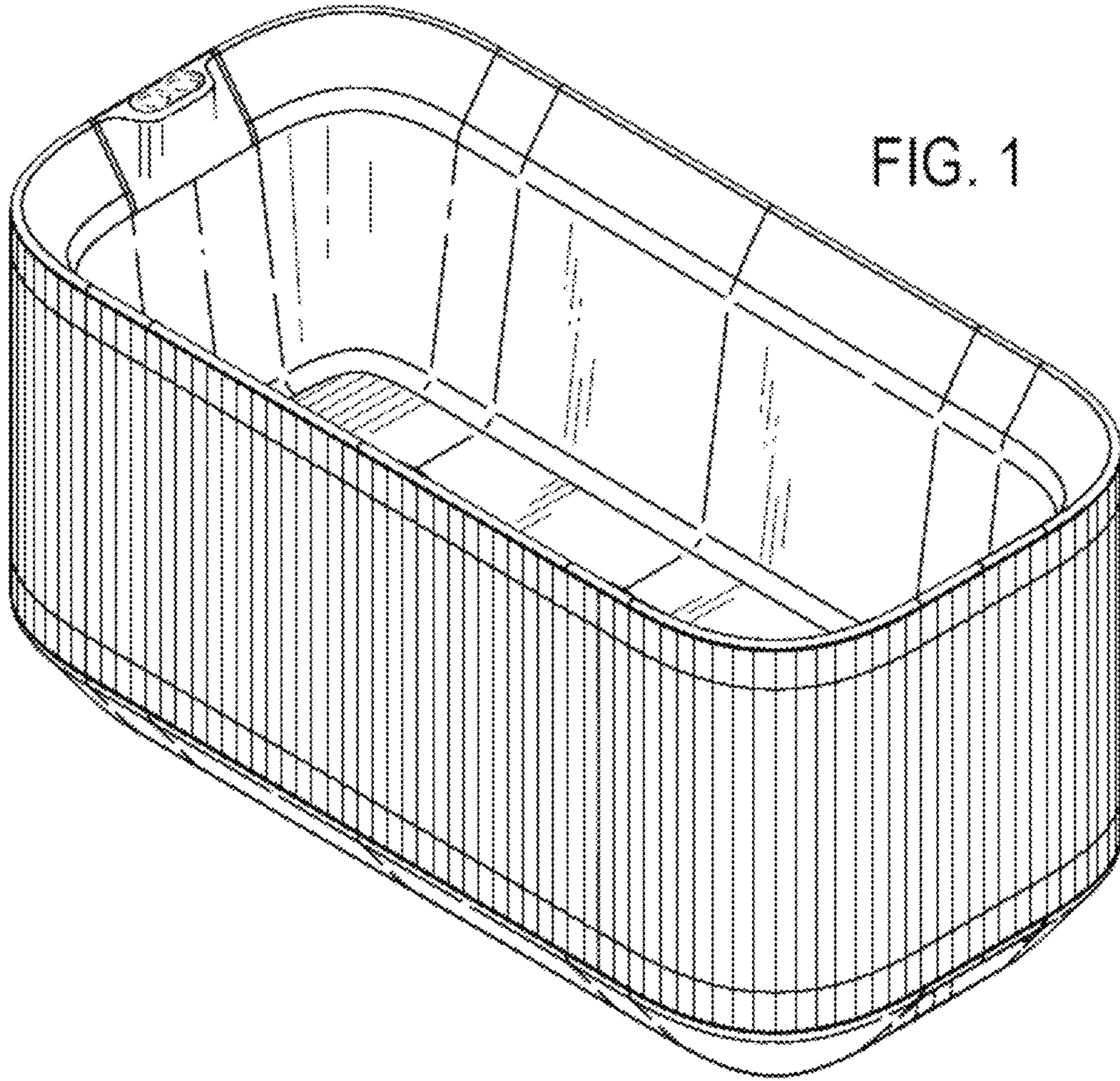


FIG. 2

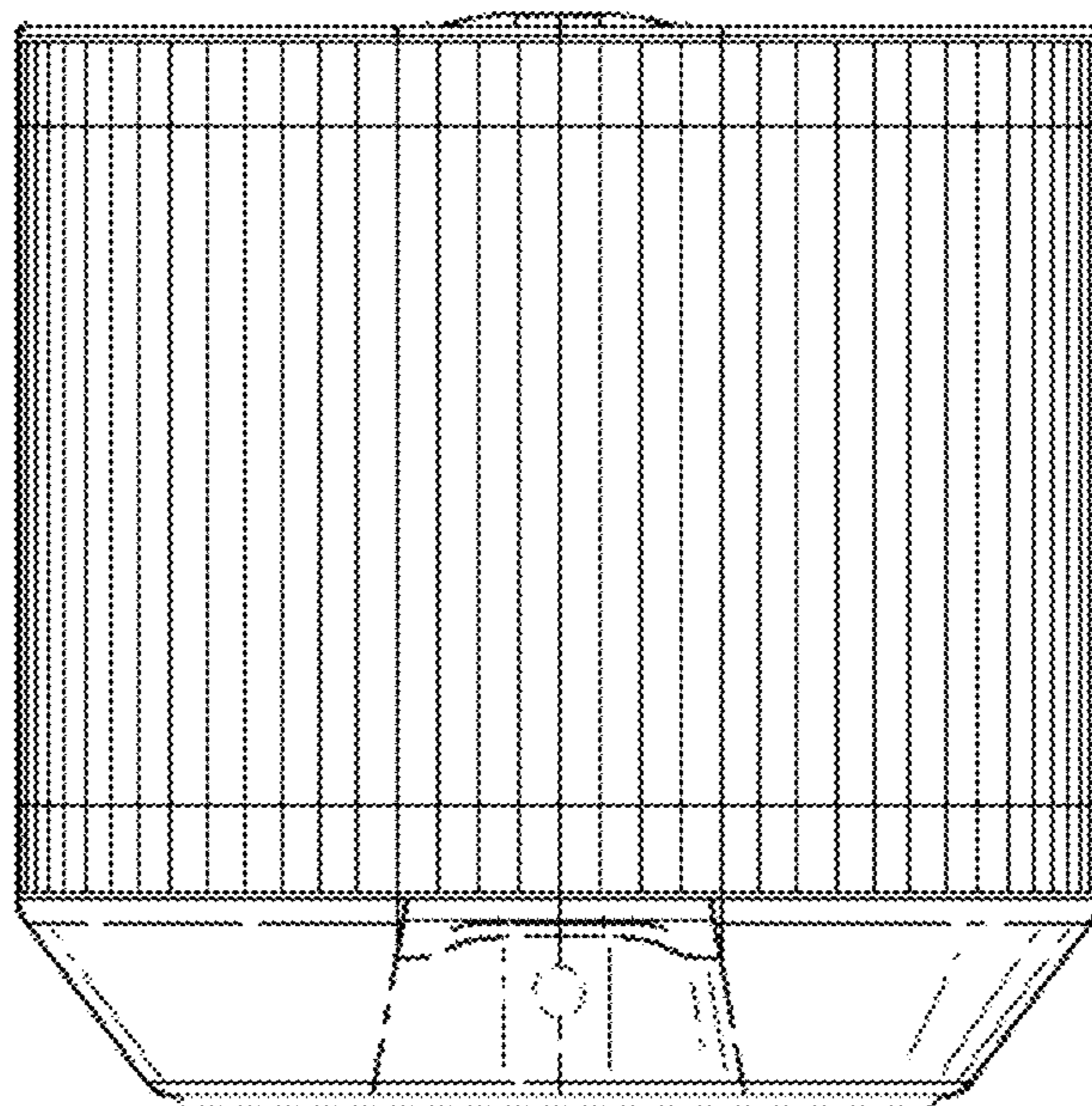


FIG. 3

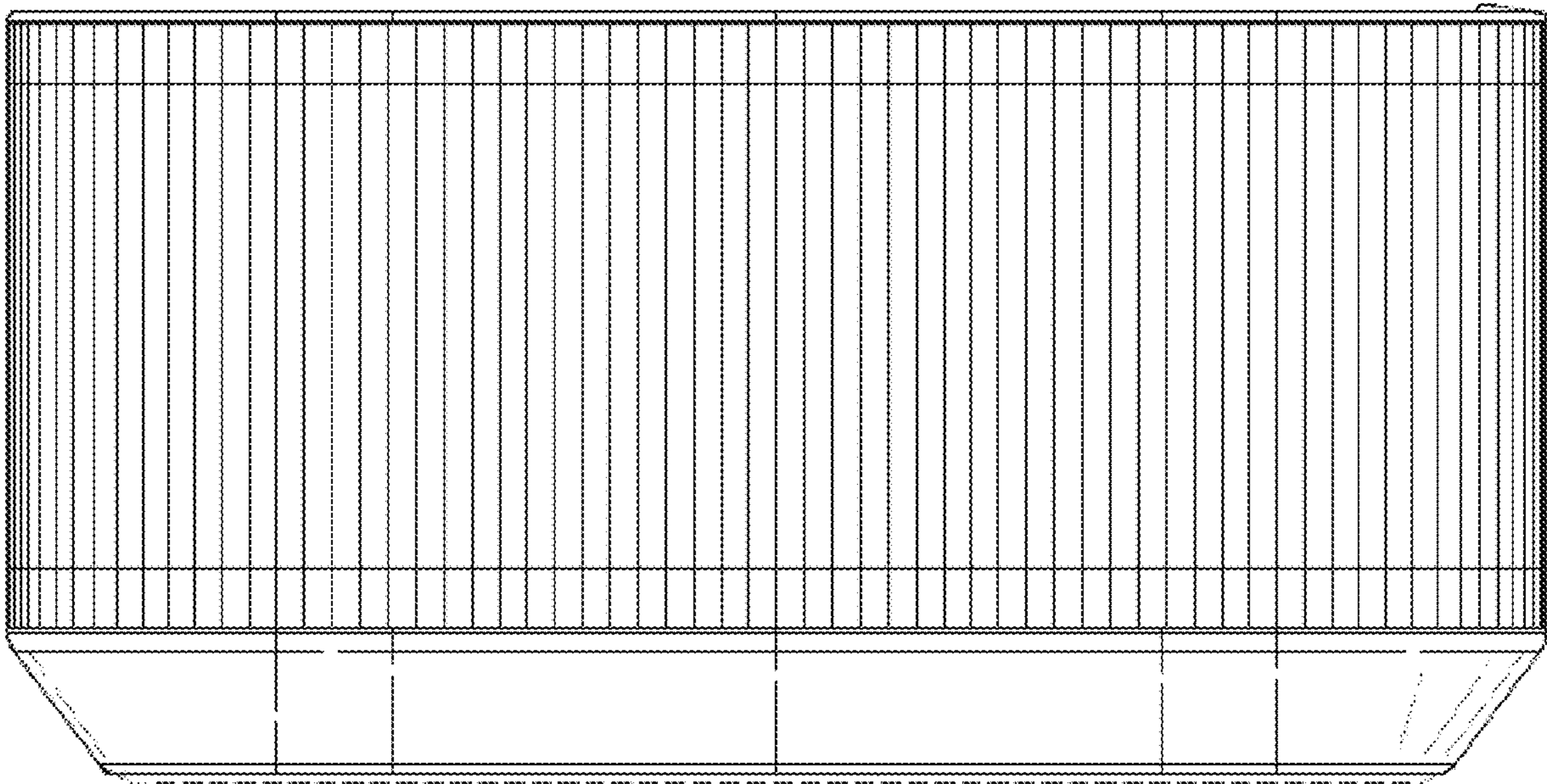


FIG. 4

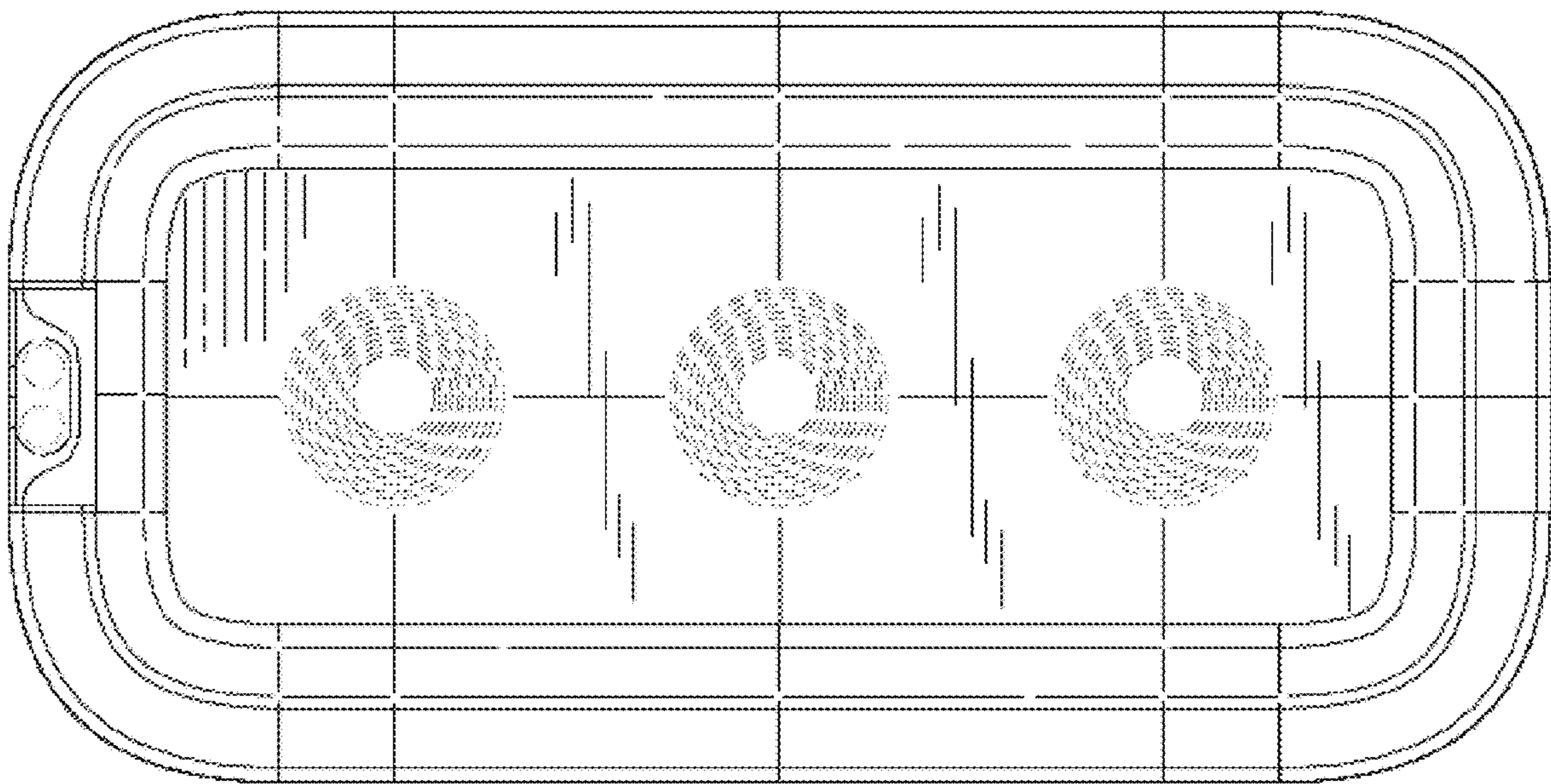


FIG. 5

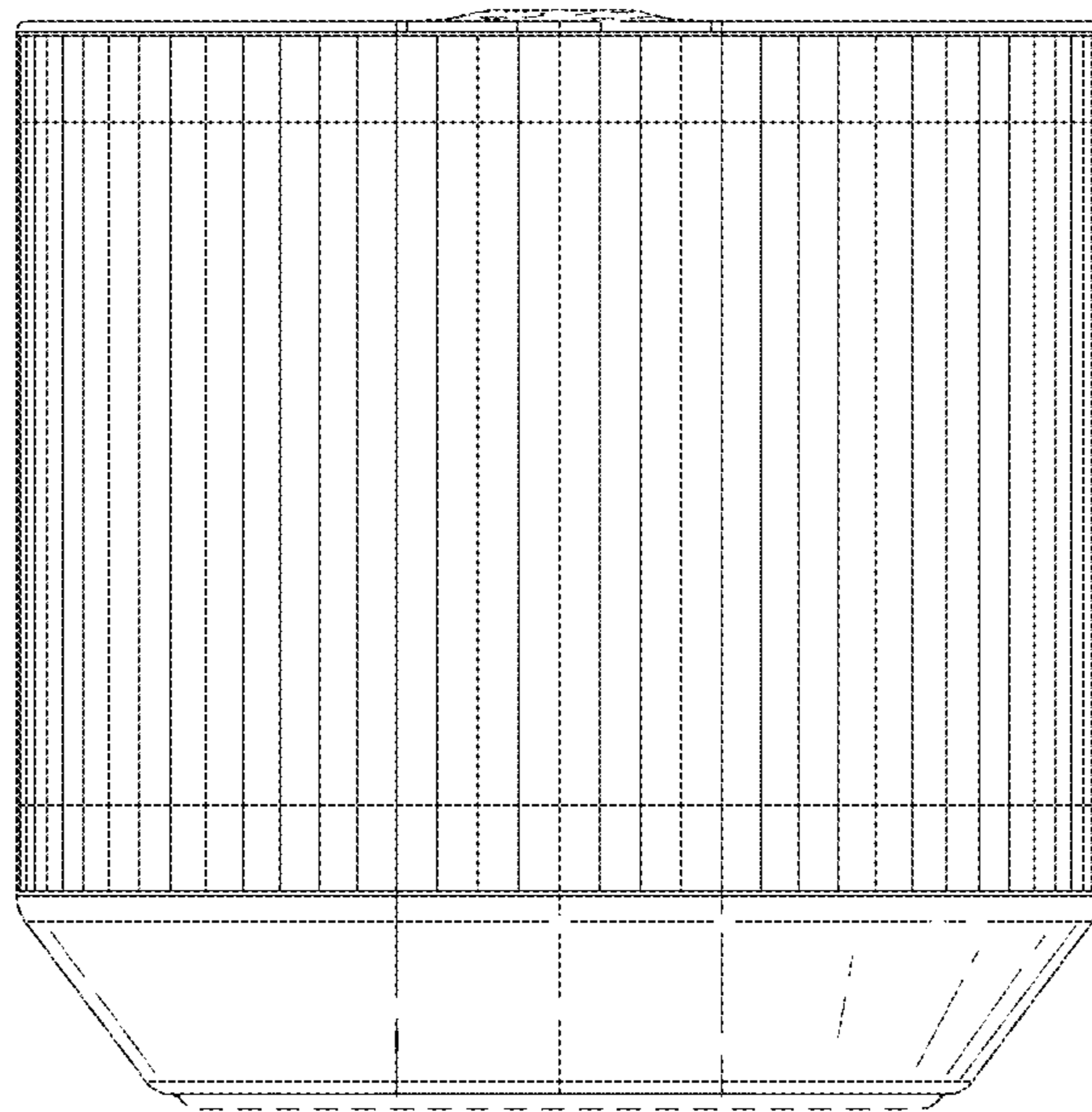


FIG. 6

