



US00D872638S

(12) **United States Design Patent**  
**Yin**

(10) **Patent No.:** **US D872,638 S**  
(45) **Date of Patent:** **\*\* Jan. 14, 2020**

- (54) **PLANTER**
- (71) Applicant: **Deryck Yin**, Glenelg, MD (US)
- (72) Inventor: **Deryck Yin**, Glenelg, MD (US)
- (\*\*) Term: **15 Years**
- (21) Appl. No.: **29/697,183**
- (22) Filed: **Jul. 4, 2019**
- (51) **LOC (12) Cl.** ..... **11-02**
- (52) **U.S. Cl.**  
USPC ..... **D11/144**
- (58) **Field of Classification Search**  
USPC ..... D11/143–156, 164; D9/414, 424, 432;  
D6/403–405, 556–558  
CPC ..... A01G 9/022; A01G 9/024; A01G 9/027;  
A01G 9/247; A01G 9/28; A01G 13/04;  
A01G 24/00; A01G 24/60; A01G 27/005;  
A01G 31/02; E04C 1/395  
See application file for complete search history.

(56) **References Cited**

**U.S. PATENT DOCUMENTS**

- 2,093,341 A \* 9/1937 Reiche ..... A63H 33/102  
446/104
- 2,493,435 A \* 1/1950 Arehambault ..... A63H 33/088  
446/122
- 2,593,895 A \* 4/1952 Kohl ..... B65D 5/4295  
47/73
- 2,604,980 A \* 7/1952 Reid ..... A24F 27/00  
206/121
- 2,722,778 A \* 11/1955 Carufel ..... A01C 1/025  
47/14
- 2,785,969 A \* 3/1957 Clawson ..... A01G 24/00  
71/64.13
- 2,796,980 A \* 6/1957 Callinicos ..... B65D 5/0005  
206/423
- 3,082,575 A \* 3/1963 Schulz ..... A01G 9/02  
47/73

- 4,602,908 A \* 7/1986 Kroeber ..... A63H 33/088  
446/124
- 5,060,419 A \* 10/1991 de Graaf ..... A01G 24/00  
47/64
- 5,152,808 A \* 10/1992 Blok ..... A01G 31/02  
405/45
- D369,295 S \* 4/1996 Kobari ..... D9/423
- 5,664,367 A \* 9/1997 Huang ..... A01G 9/022  
248/311.2
- D389,639 S \* 1/1998 Priebe ..... D3/203.8
- 6,400,247 B1 \* 6/2002 King ..... B65D 11/10  
220/8
- 7,191,571 B2 \* 3/2007 Schools ..... E04B 2/18  
52/439
- D558,572 S \* 1/2008 Andre ..... D9/432
- D582,267 S \* 12/2008 Andre ..... D9/432
- D630,123 S \* 1/2011 Ott ..... D11/144
- D655,616 S \* 3/2012 Wanders ..... D9/414
- D674,691 S \* 1/2013 Martineck ..... D9/432

(Continued)

*Primary Examiner* — Elizabeth A. Albert

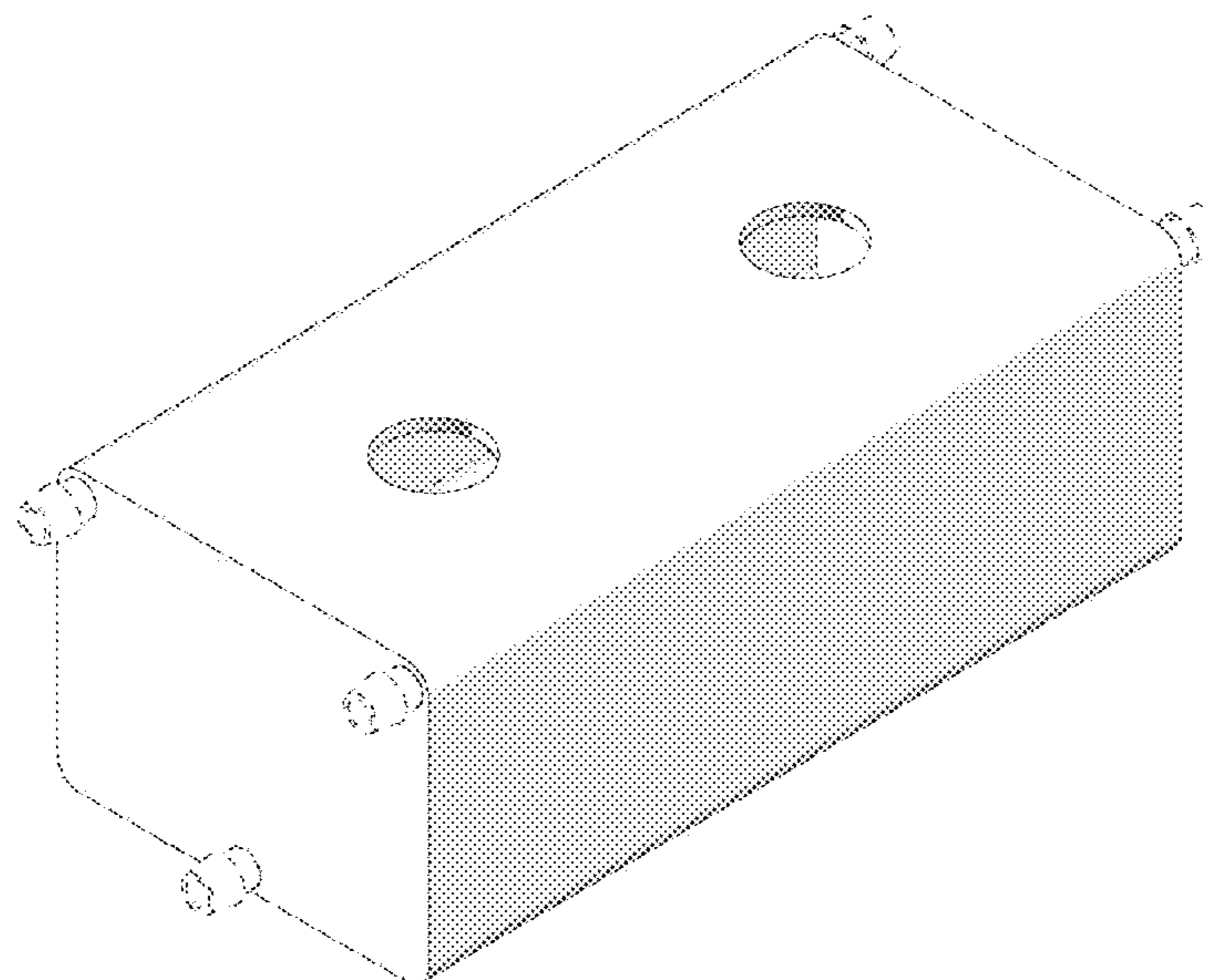
(57) **CLAIM**

The ornamental design for a planter, as shown and described.

**DESCRIPTION**

FIG. 1 is a perspective view of a planter showing my new design;  
 FIG. 2 is an enlarged front view thereof, the rear view being a mirror image of the front view;  
 FIG. 3 is a left side view thereof, the right side view being a mirror image of the left side view;  
 FIG. 4 is a top view thereof; and,  
 FIG. 5 is a bottom view thereof.  
 The broken lines in the drawings are included for the purpose of illustrating portions of the planter that form no part of the claimed design.  
 The three holes at the bottom of the barb connectors on either side of the planter are part of the claimed design.

**1 Claim, 5 Drawing Sheets**



(56)

**References Cited**

## U.S. PATENT DOCUMENTS

8,621,781 B2 \* 1/2014 Singh ..... A01G 31/02  
47/62 E  
D709,364 S \* 7/2014 Olsson ..... D9/432  
9,149,005 B2 \* 10/2015 Janssen ..... A01G 31/00  
9,622,425 B2 \* 4/2017 Huang ..... A01G 9/02  
9,788,495 B2 \* 10/2017 Martin ..... A01G 31/06  
9,821,244 B1 \* 11/2017 Whang ..... A63H 33/046  
10,064,344 B1 \* 9/2018 Meyer ..... A01G 9/28  
10,080,335 B1 \* 9/2018 Van Wingerden ..... A01G 31/02  
D829,569 S \* 10/2018 O'Neill ..... D9/759  
2006/0266672 A1 \* 11/2006 Young ..... B65D 77/0433  
206/776  
2010/0022158 A1 \* 1/2010 Kim ..... A63H 33/046  
446/92  
2011/0099902 A1 \* 5/2011 Lievestro ..... A01H 4/001  
47/59 S  
2012/0324787 A1 \* 12/2012 Daas ..... A01G 31/02  
47/65.8  
2015/0216131 A1 \* 8/2015 Van Wingerden ..... A01G 31/02  
47/59 R  
2019/0191643 A1 \* 6/2019 Chan ..... H05B 37/0218

\* cited by examiner

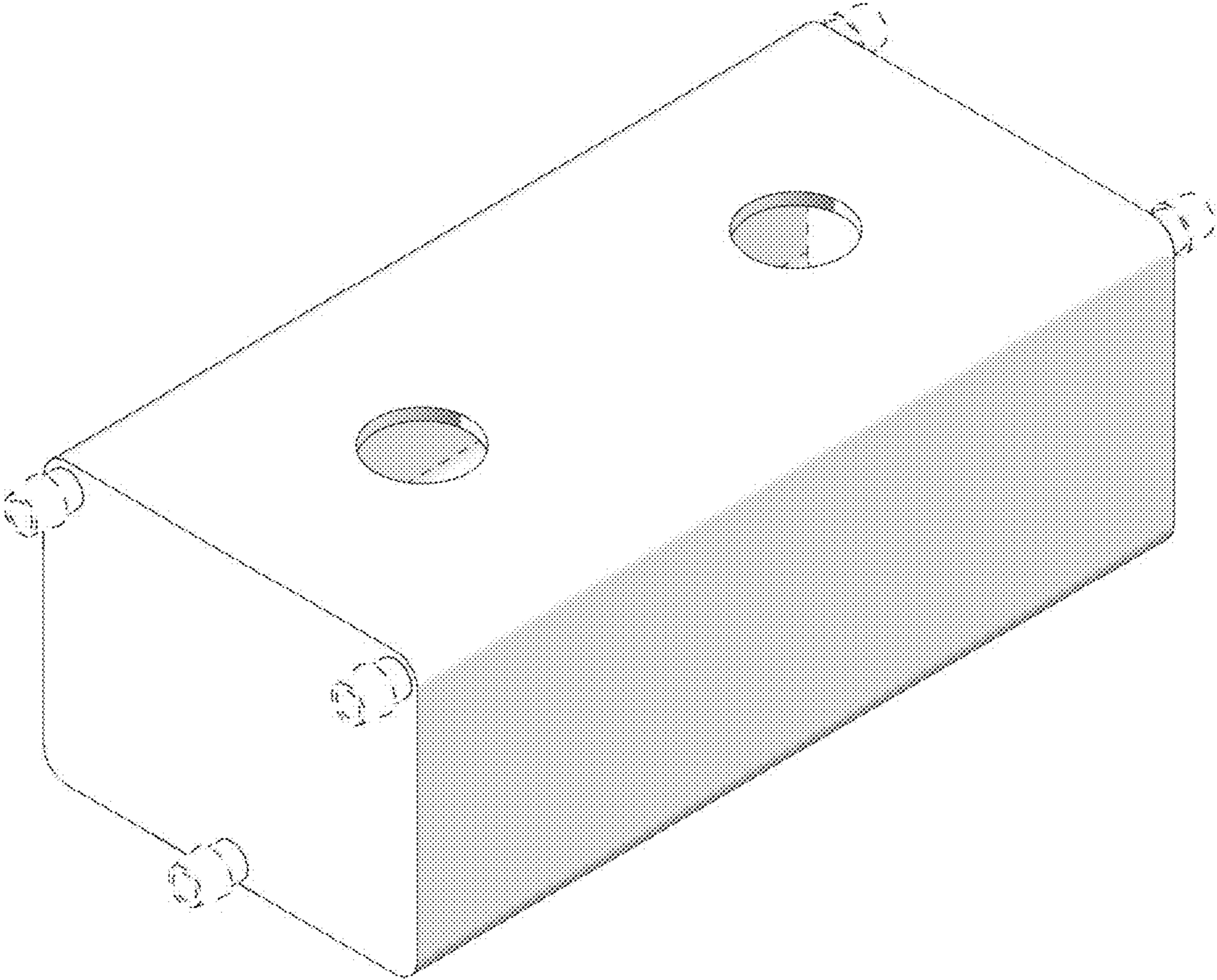


FIG. 1

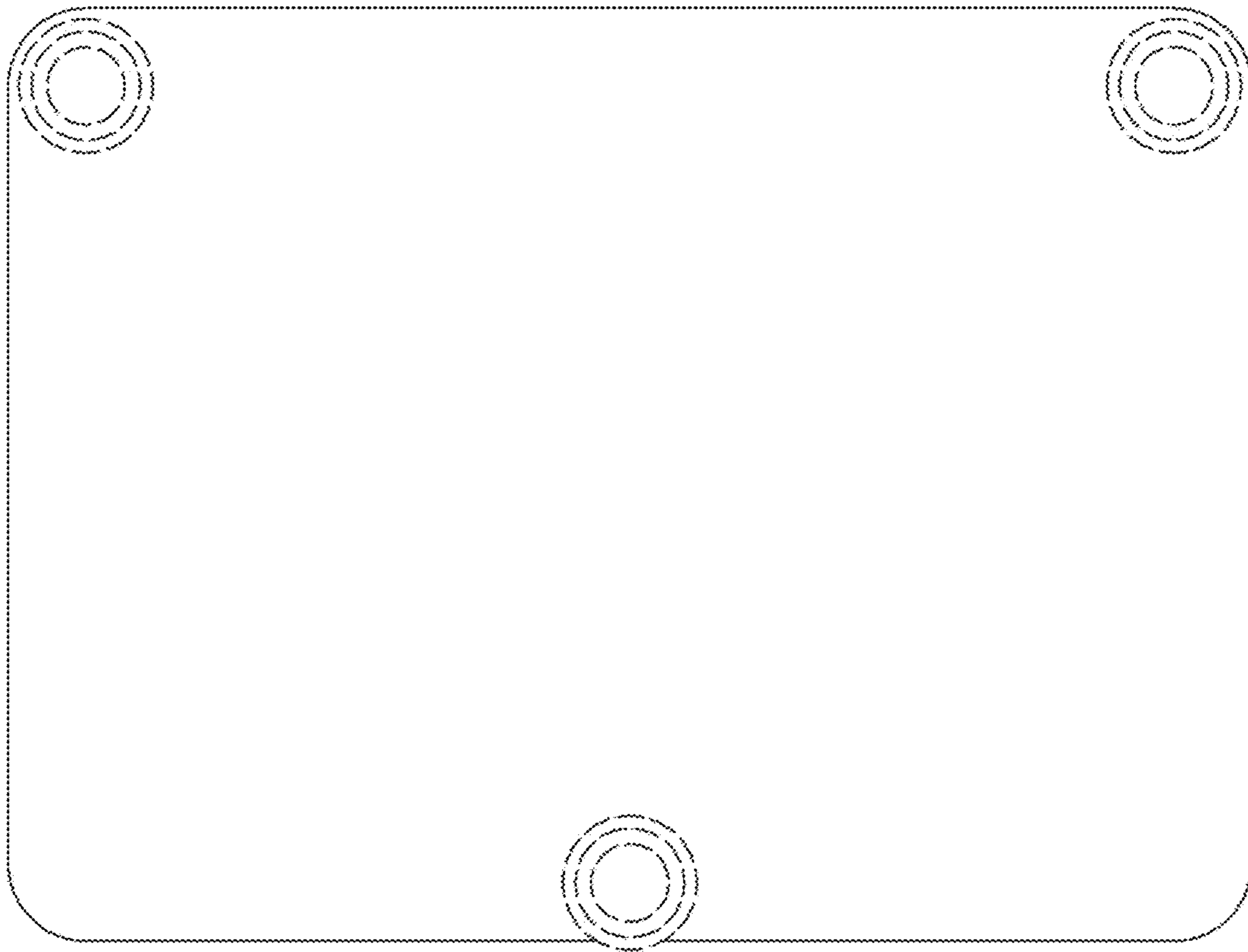


FIG. 2

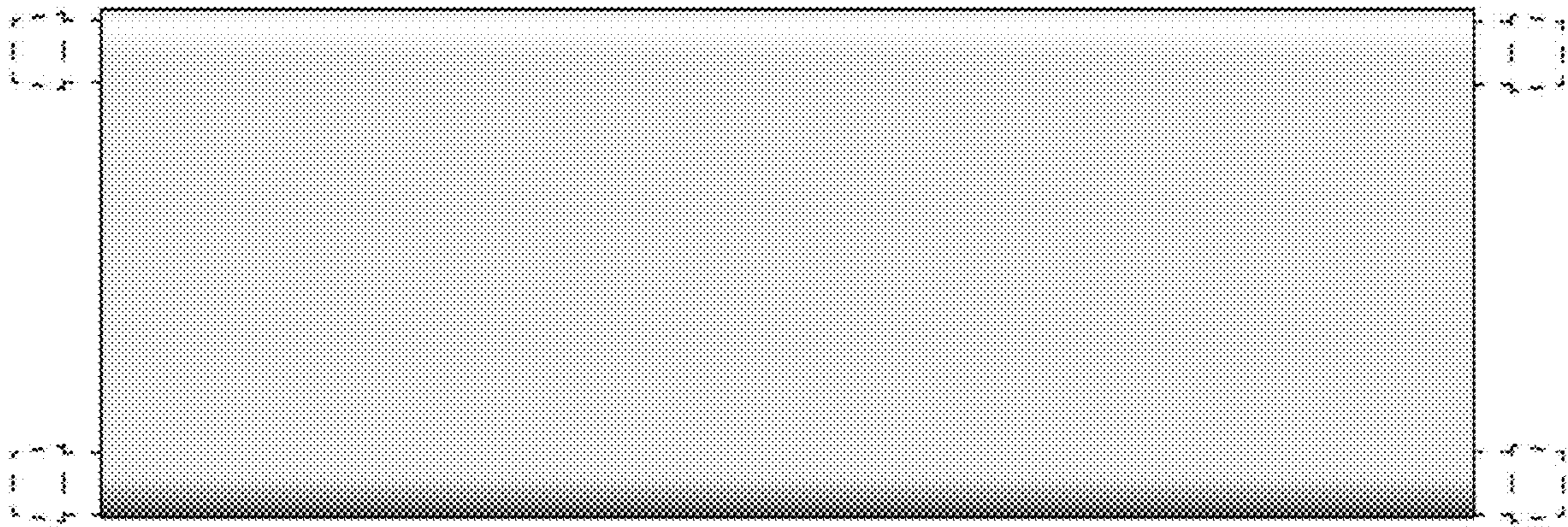


FIG. 3

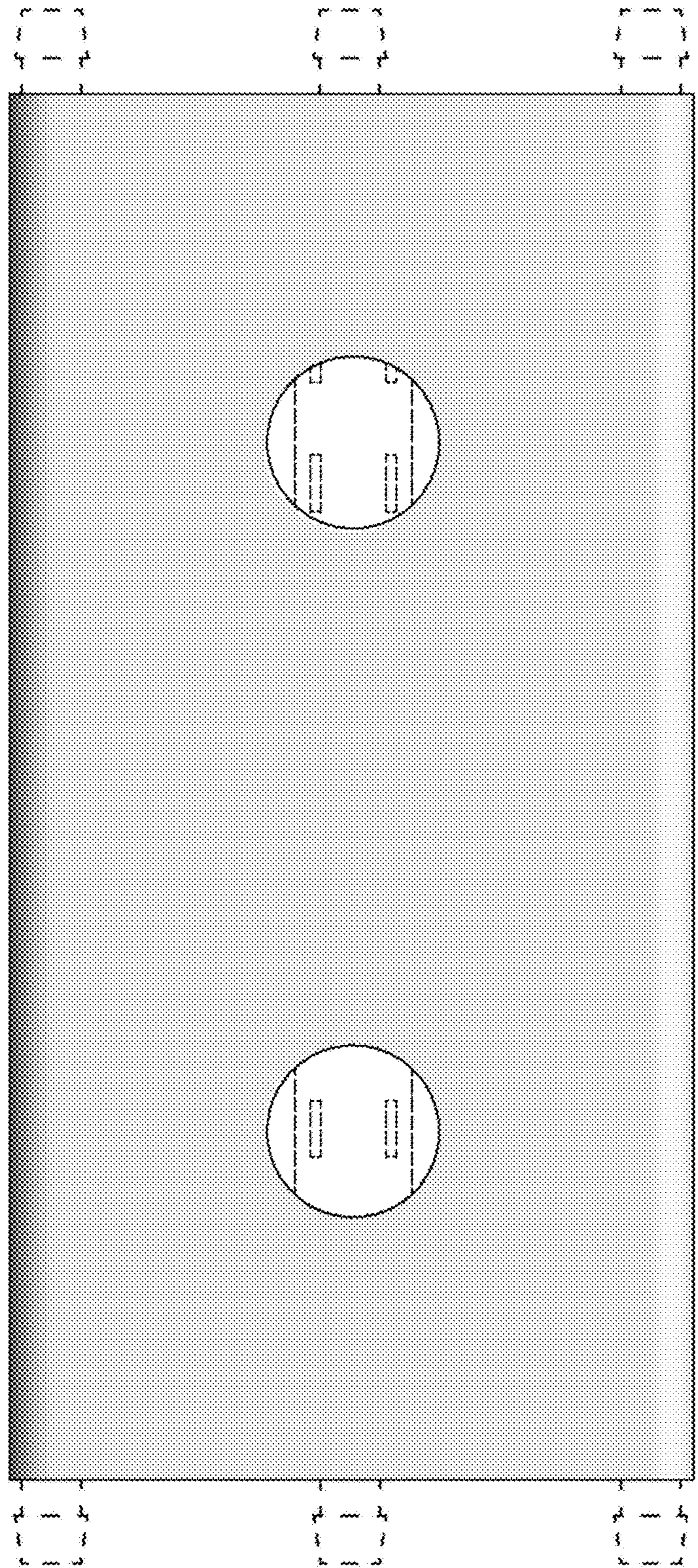


FIG. 4

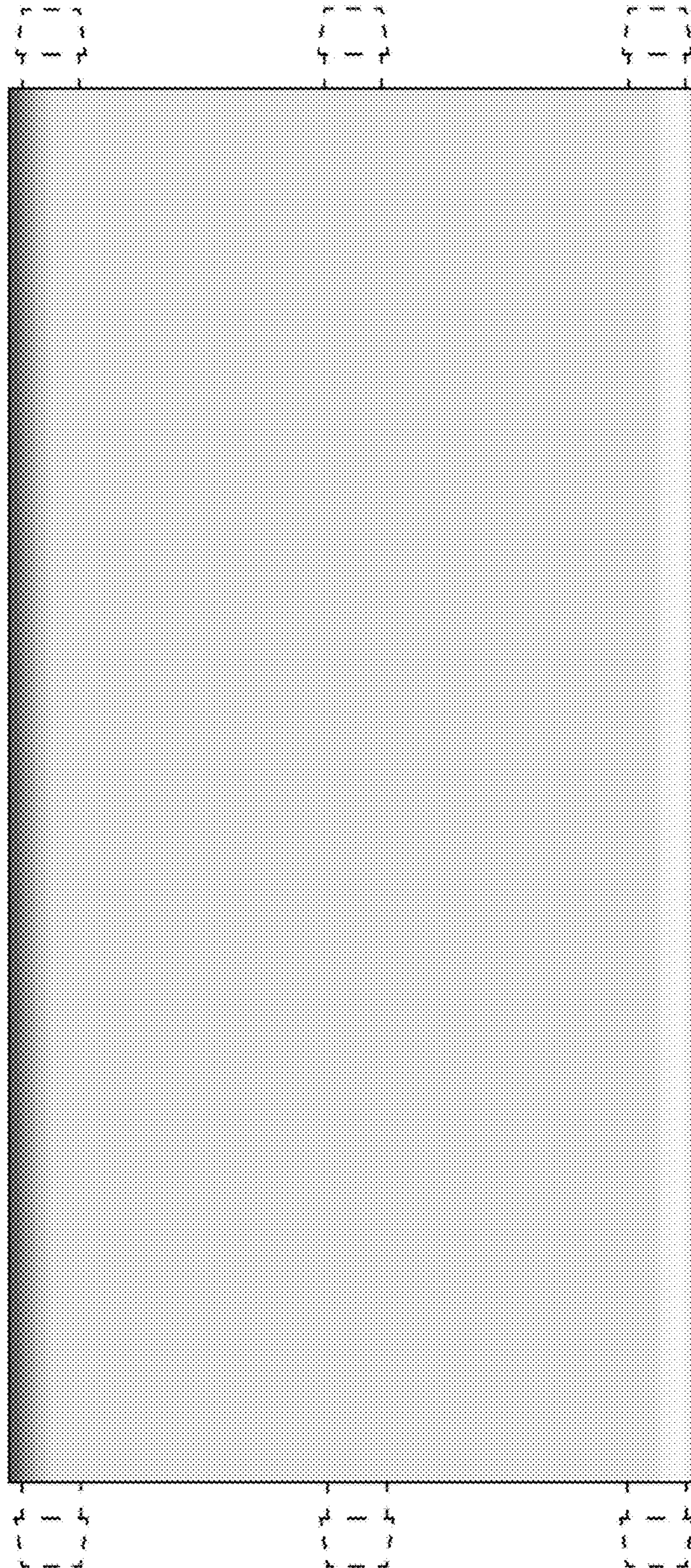


FIG. 5