



US00D872634S

(12) **United States Design Patent** (10) **Patent No.:** **US D872,634 S**
Parikh (45) **Date of Patent:** **** Jan. 14, 2020**

(54) **JEWELRY SETTING**

- (71) Applicant: **Rosy Blue Jewelry, Inc.**, New York, NY (US)
- (72) Inventor: **Birain Parikh**, Closter, NJ (US)
- (73) Assignee: **ROSY BLUE JEWELRY, INC.**, New York, NY (US)
- (**) Term: **15 Years**
- (21) Appl. No.: **29/642,055**
- (22) Filed: **Mar. 27, 2018**

Related U.S. Application Data

- (62) Division of application No. 29/573,545, filed on Aug. 8, 2016, now Pat. No. Des. 840,866.
- (51) **LOC (12) Cl.** **11-01**
- (52) **U.S. Cl.**
USPC **D11/91**
- (58) **Field of Classification Search**
USPC D11/1-3, 16, 26, 34, 35, 36, 91-92
CPC A44C 17/00; A44C 17/001; A44C 17/002;
A44C 17/005; A44C 17/02; A44C
17/0208; A44C 17/0216; A44C 17/0225;
A44C

(Continued)

(56) **References Cited**

U.S. PATENT DOCUMENTS

- D54,976 S * 4/1920 Wittstein D11/35
- D55,260 S * 5/1920 Fischer D11/35

(Continued)

Primary Examiner — L. Martinez

(74) *Attorney, Agent, or Firm* — Ostrolenk Faber LLP

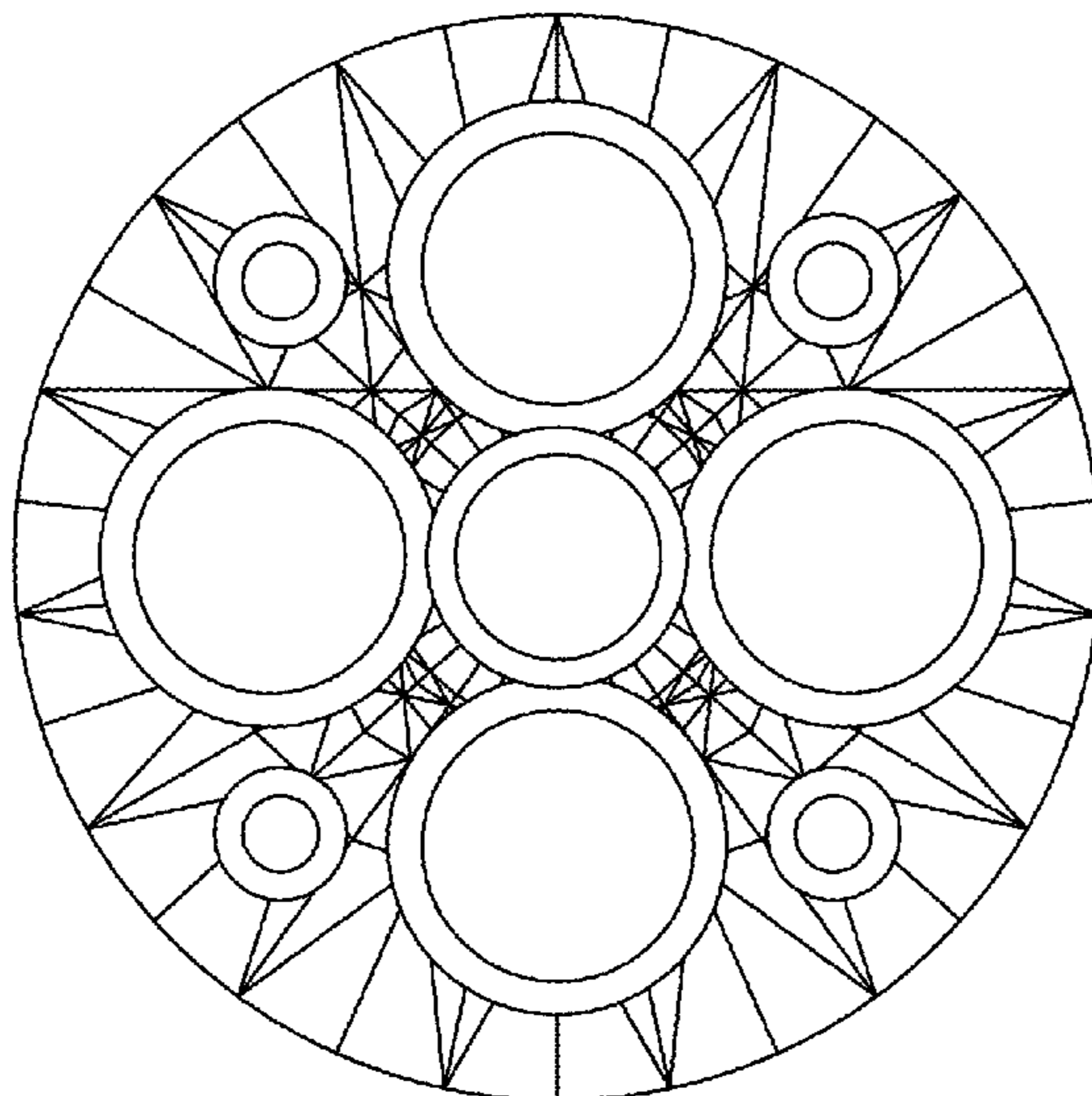
(57) **CLAIM**

The ornamental design for a jewelry setting, as shown and described.

DESCRIPTION

FIG. 1 is a top view of a jewelry setting showing a first embodiment of my new design;
 FIG. 2 is a bottom view thereof;
 FIG. 3 is a front and top perspective view thereof;
 FIG. 4 is a front and bottom perspective view thereof;
 FIG. 5 is a left side view thereof;
 FIG. 6 is a right side view thereof;
 FIG. 7 is a rear and inverted view thereof; and
 FIG. 8 is a front view thereof.
 FIG. 9 a top view of a jewelry setting showing a second embodiment of my new design;
 FIG. 10 is a bottom view of the jewelry setting of FIG. 9;
 FIG. 11 is a front and top perspective view of the jewelry setting of FIG. 9;
 FIG. 12 is a front a bottom perspective view of the jewelry setting of FIG. 9;
 FIG. 13 is a left side view of the jewelry setting of FIG. 9;
 FIG. 14 is a right side view of the jewelry setting of FIG. 9;
 FIG. 15 is a rear and inverted view of the jewelry setting of FIG. 9; and
 FIG. 16 is a front view of the jewelry setting of FIG. 9.
 FIG. 17 is a top view of a jewelry setting showing a third embodiment of my new design;
 FIG. 18 is a bottom view of the jewelry setting of FIG. 17;
 FIG. 19 is a front and top perspective view of the jewelry setting of FIG. 17;
 FIG. 20 is a front a bottom perspective view of the jewelry setting of FIG. 17;
 FIG. 21 is a left side view of the jewelry setting of FIG. 17;
 FIG. 22 is a right side view of the jewelry setting of FIG. 17;
 FIG. 23 is a rear and inverted view of the jewelry setting of FIG. 17; and
 FIG. 24 is a front view of the jewelry setting of FIG. 17.

1 Claim, 9 Drawing Sheets



(58) **Field of Classification Search**
 CPC ... 17/0233; A44C 17/04; A44C 17/043; A44C
 17/046; A44C 7/00; A44C 9/00
 See application file for complete search history.

(56) **References Cited**

U.S. PATENT DOCUMENTS

D55,597 S * 7/1920 Felger D11/91
 D57,217 S * 3/1921 Eliasoff D11/36
 D58,307 S * 7/1921 Davidson D11/90
 D156,626 S * 12/1949 Jackson D11/36
 D267,706 S * 1/1983 Shapiro D11/34
 D314,929 S * 2/1991 Chia D11/6
 5,056,337 A * 10/1991 Nhaissi A44C 17/02
 63/26
 D325,709 S * 4/1992 Chia D11/12
 D329,026 S * 9/1992 Chia D11/12
 D329,401 S * 9/1992 Chia D11/6

D335,639 S * 5/1993 Chia D11/6
 D336,060 S * 6/1993 Chia D11/6
 D687,337 S 8/2013 Kothari D11/91
 D693,726 S * 11/2013 Kothari D11/91
 D728,412 S 5/2015 Dobashi D11/91
 D751,939 S 3/2016 Vartanian D11/91
 D755,665 S 5/2016 Krainz D11/91
 D783,446 S 4/2017 Kothari D11/91
 D791,012 S 7/2017 Krainz D11/91
 D798,188 S 9/2017 Wong D11/92
 D828,781 S * 9/2018 Bhansali D11/91
 D829,125 S * 9/2018 Bhansali D11/91
 D829,126 S * 9/2018 Bhansali D11/91
 D832,735 S * 11/2018 Krainz D11/91
 D840,866 S * 2/2019 Parikh D11/91
 D845,822 S * 4/2019 Bhansali D11/91
 D845,823 S * 4/2019 Bhansali D11/91
 2015/0342310 A1 * 12/2015 Kei A44C 17/046
 63/28
 2019/0021459 A1 * 1/2019 Lin A44C 17/04

* cited by examiner

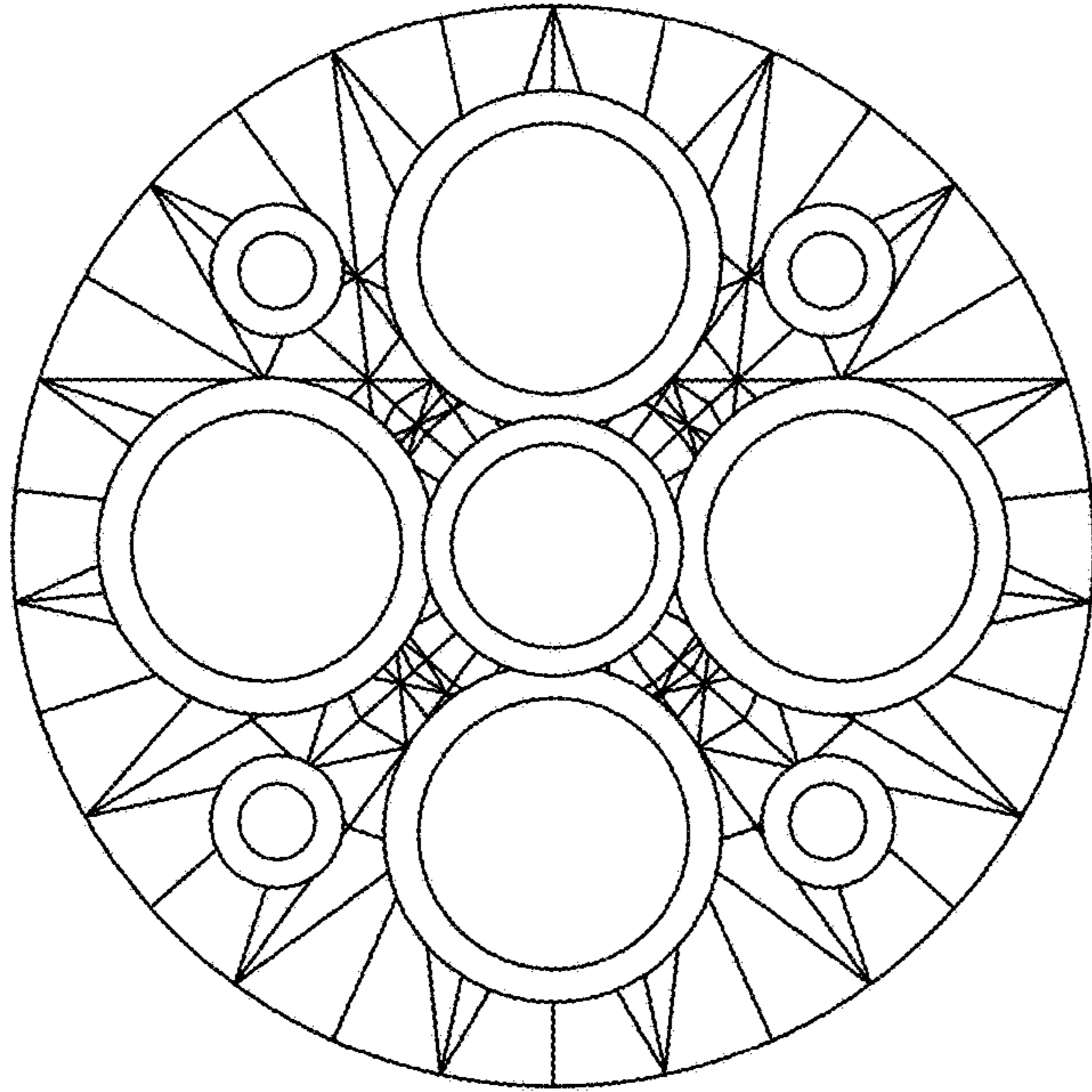


FIG. 1

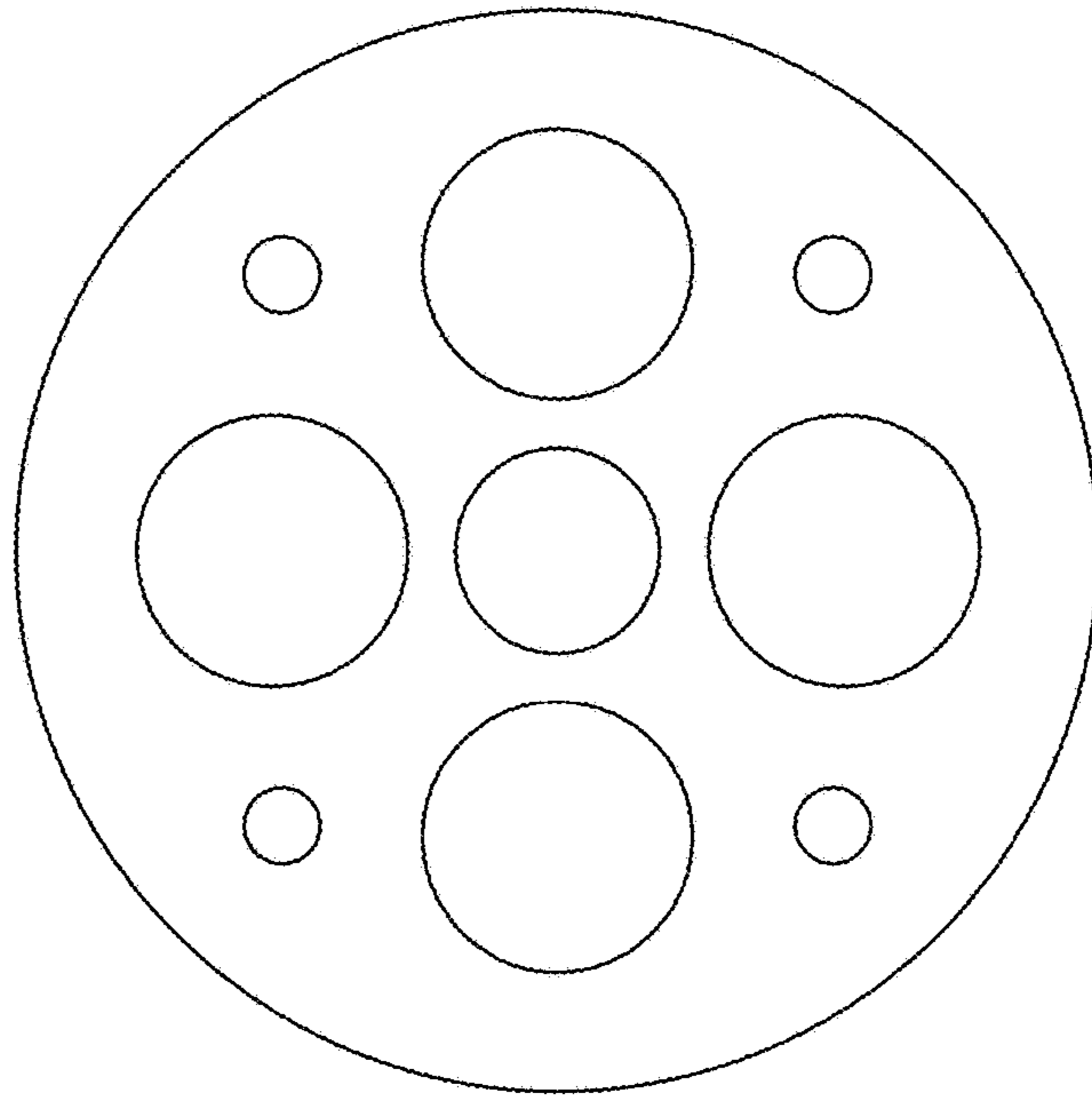


FIG. 2

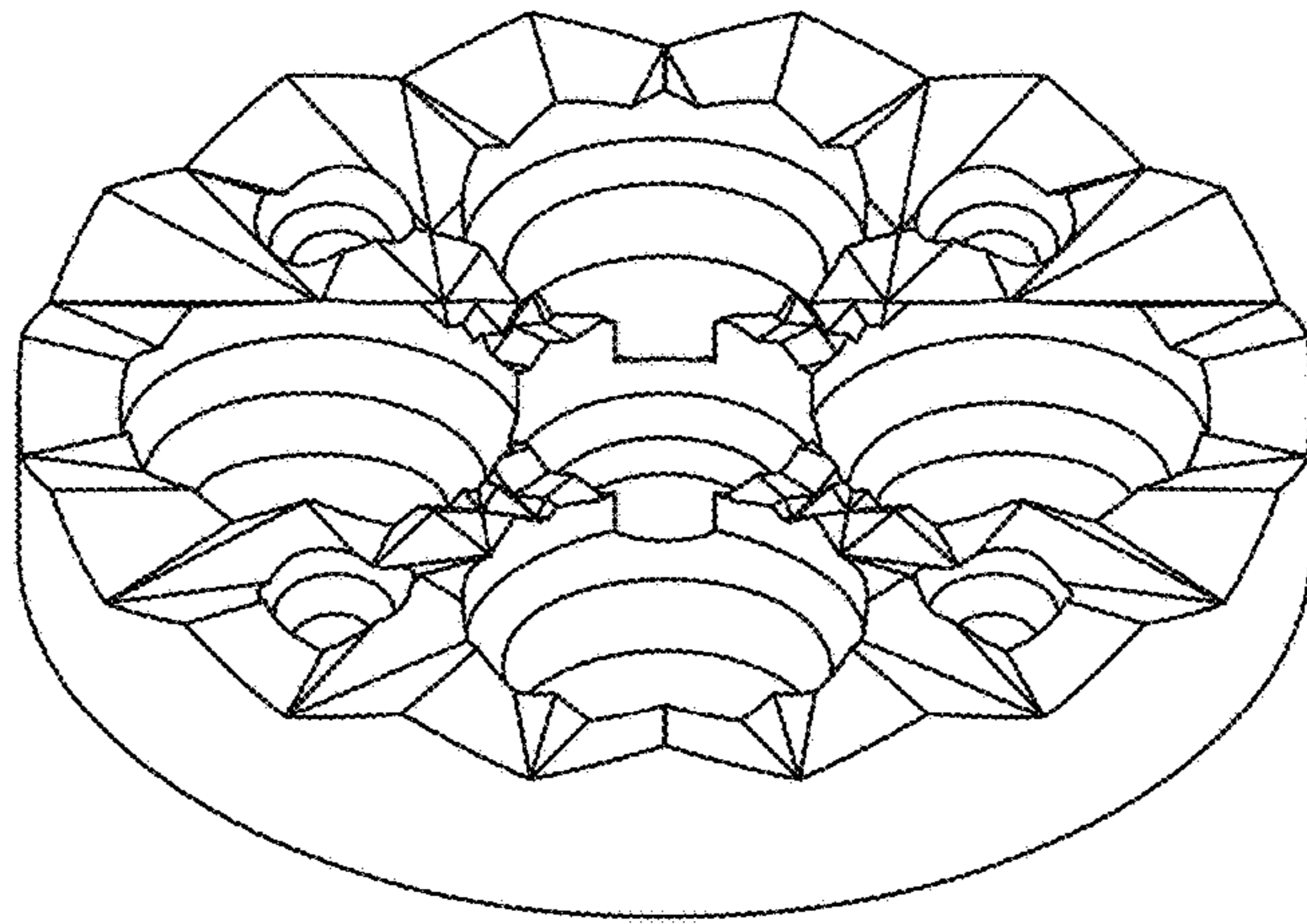


FIG. 3

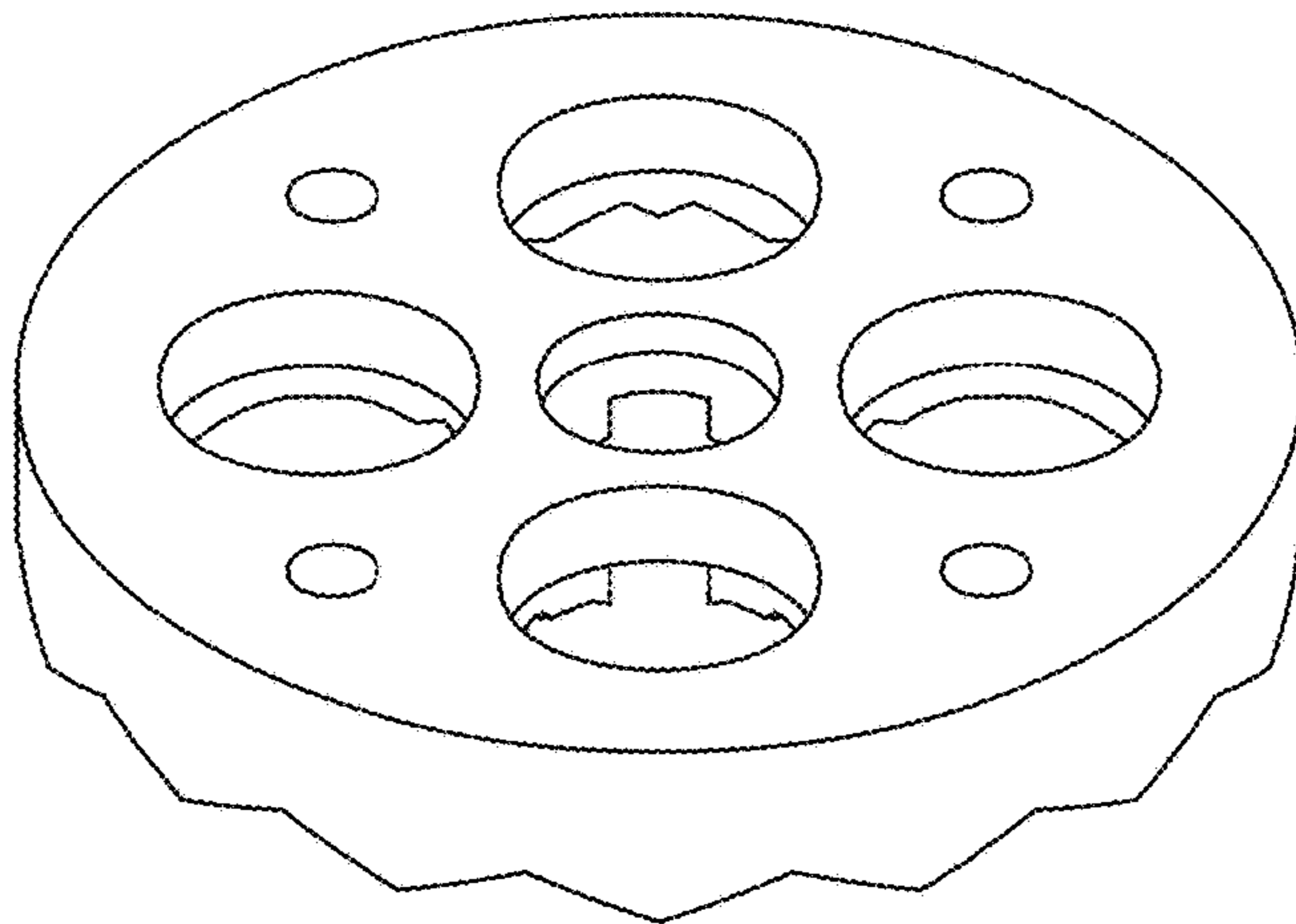


FIG. 4



FIG. 5



FIG. 6

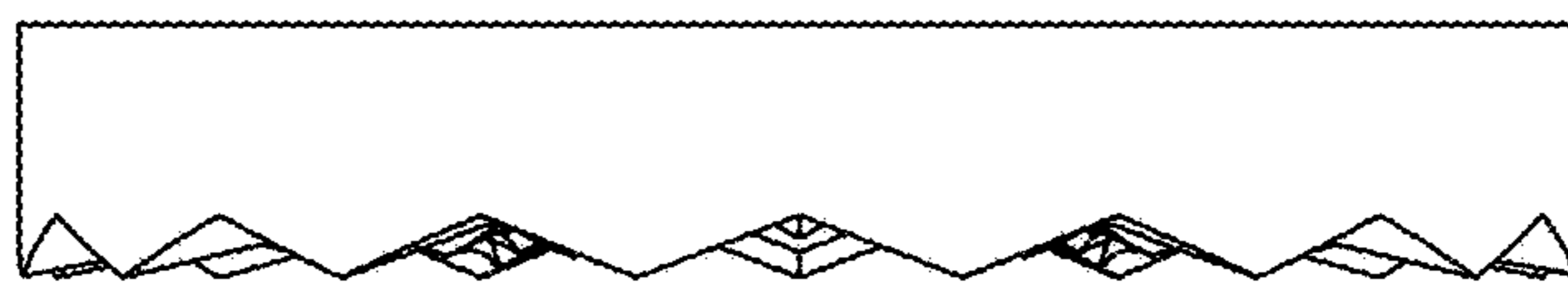


FIG. 7



FIG. 8

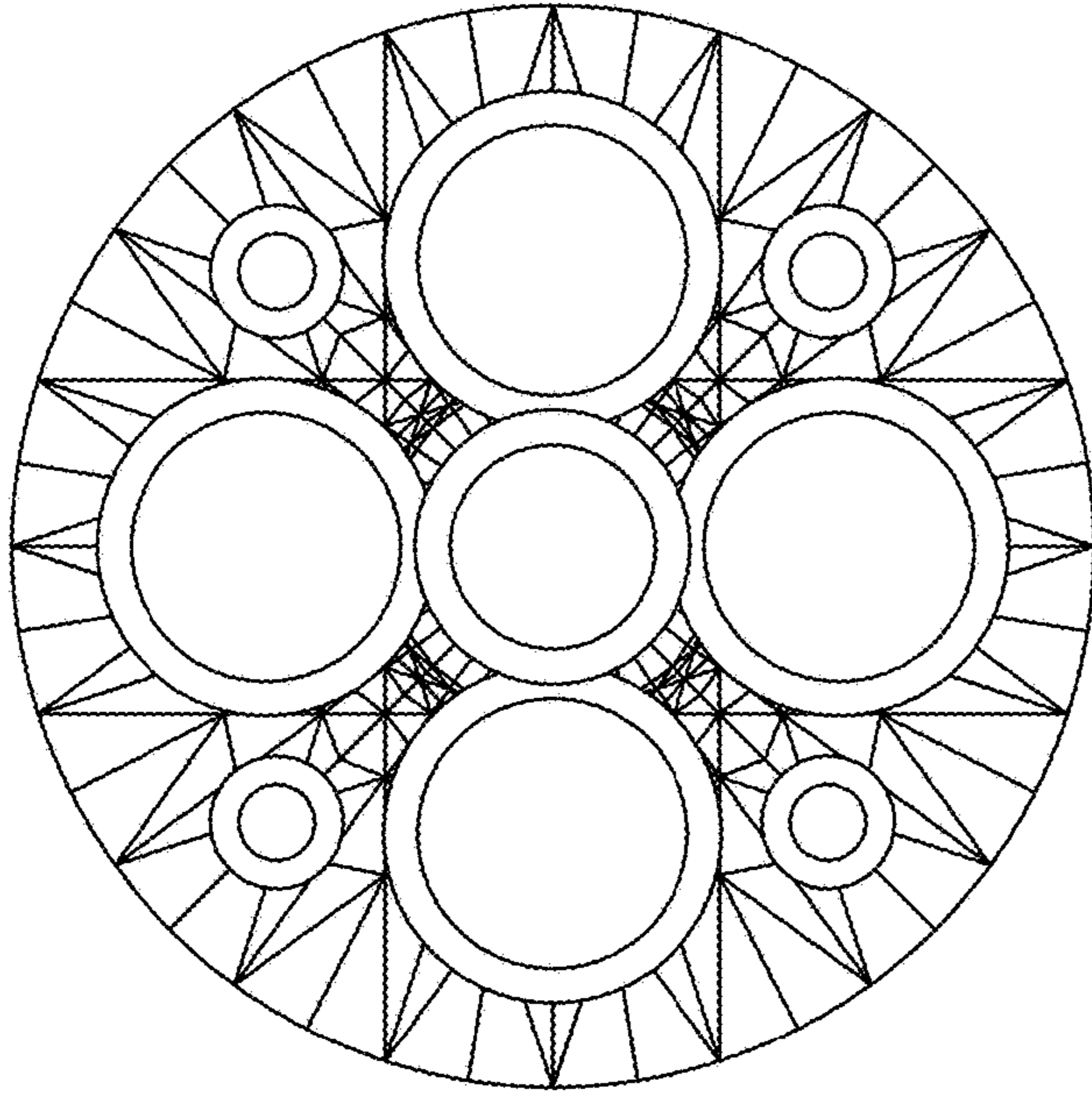


FIG. 9

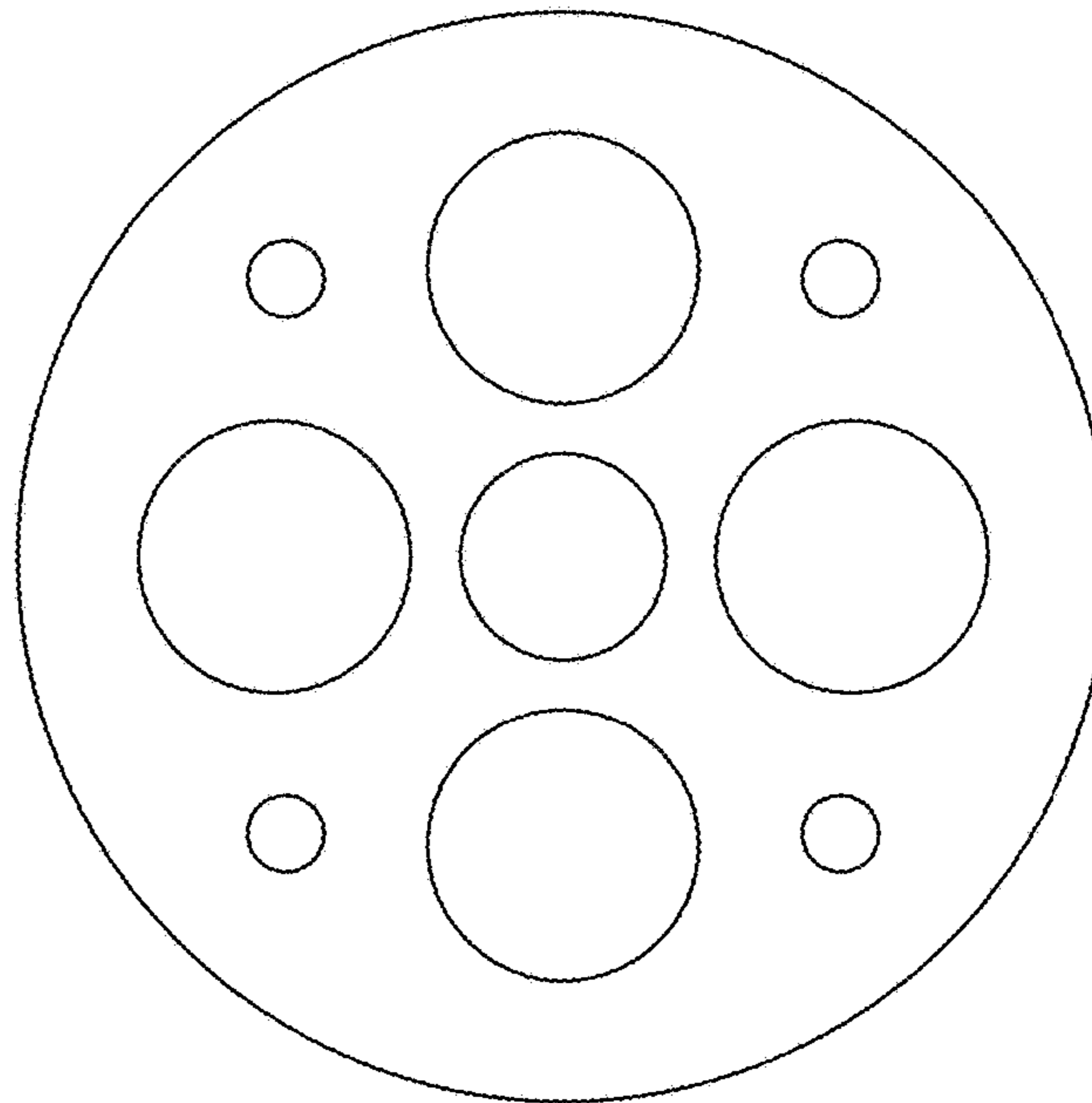


FIG. 10

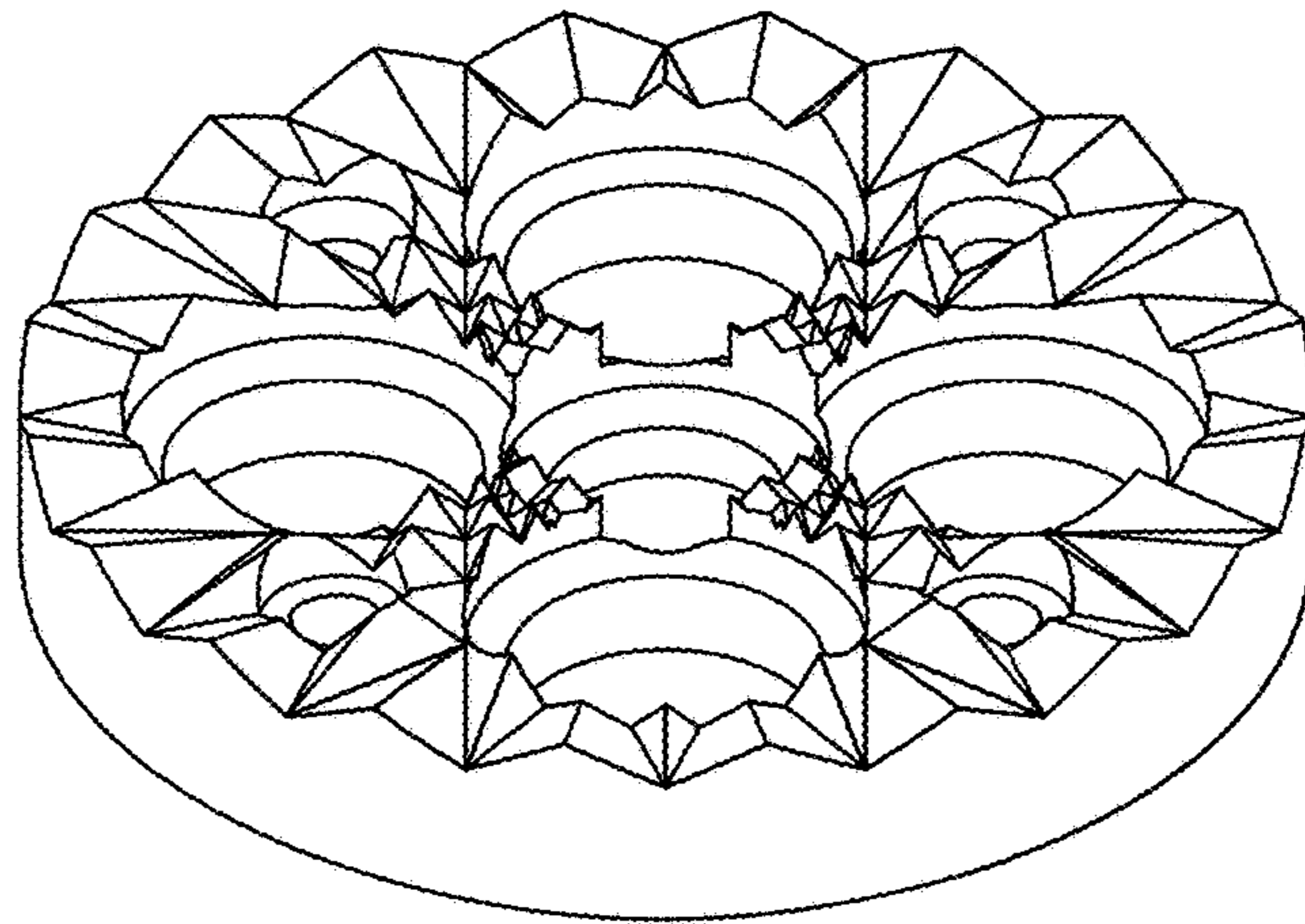


FIG. 11

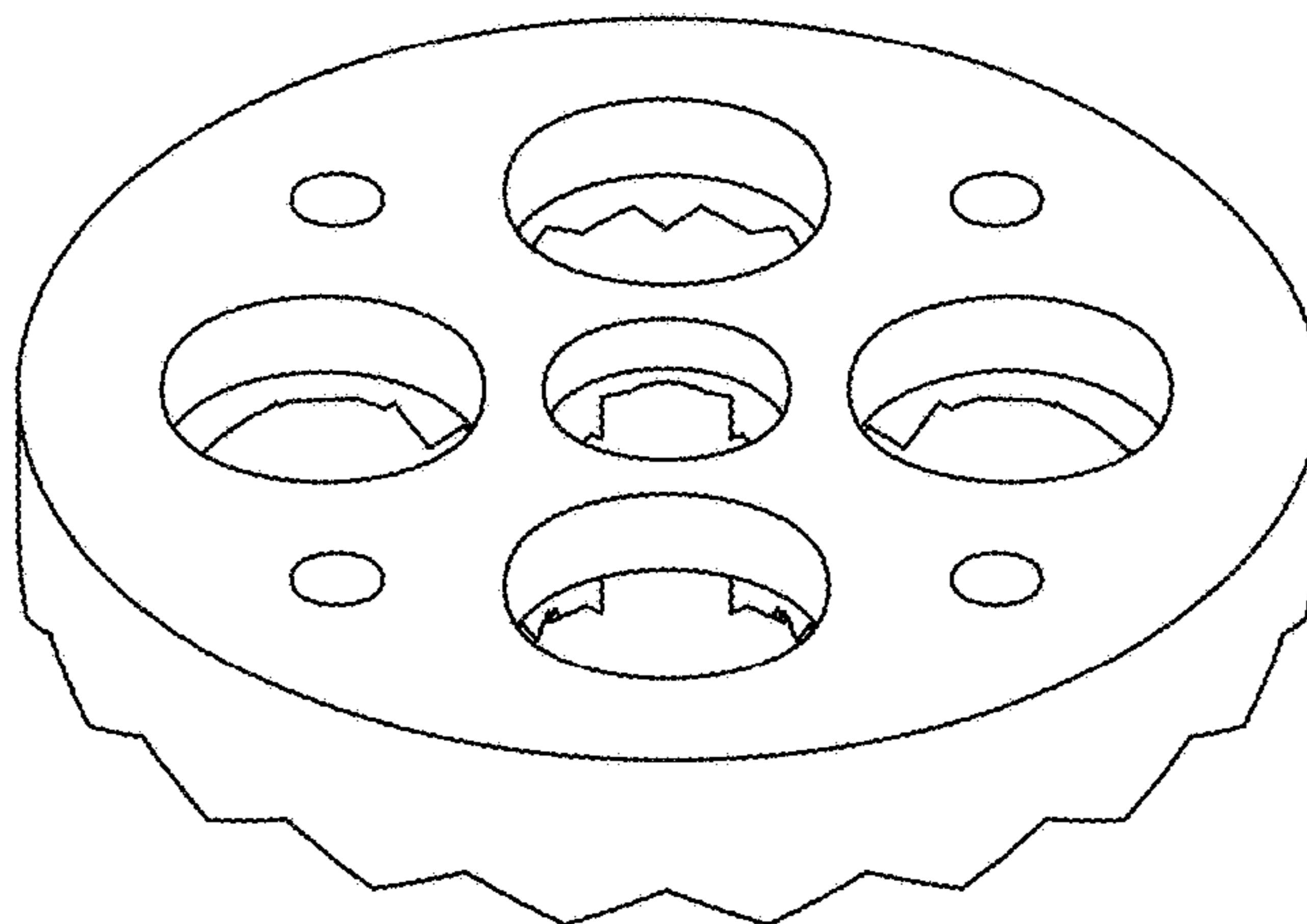


FIG. 12

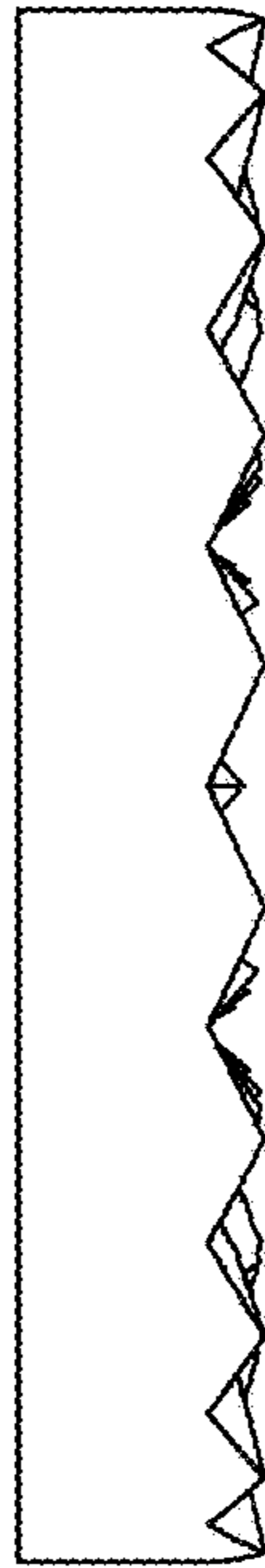


FIG. 13

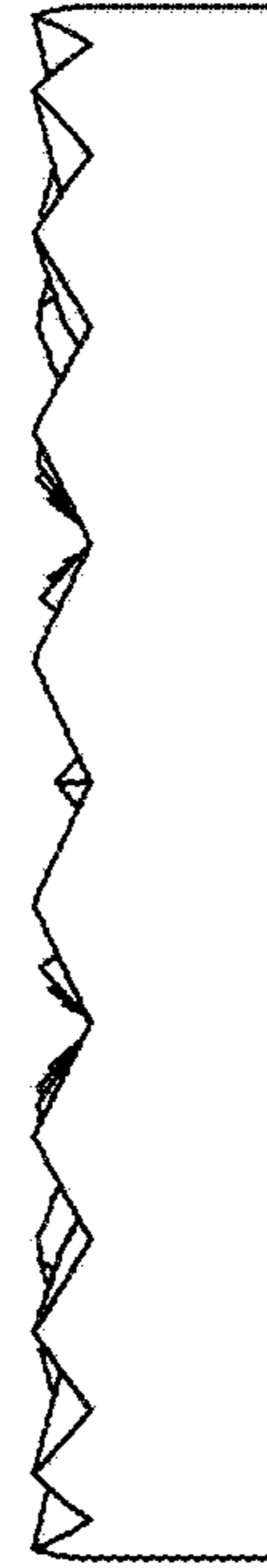


FIG. 14

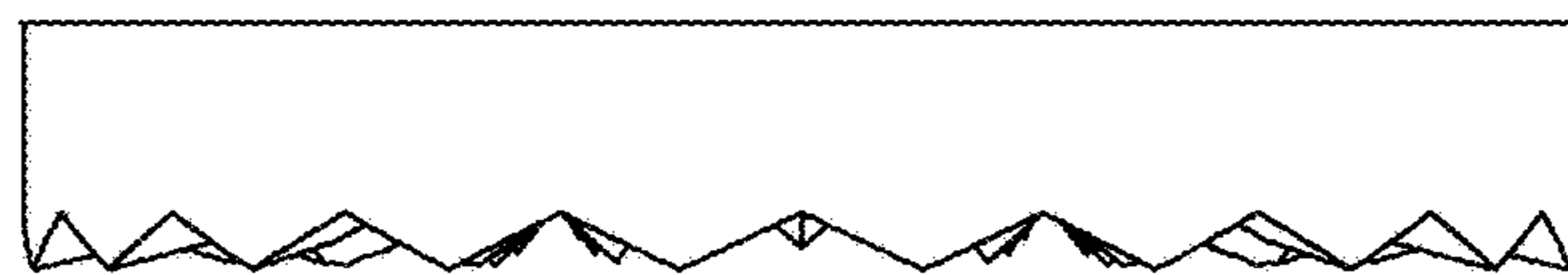


FIG. 15



FIG. 16

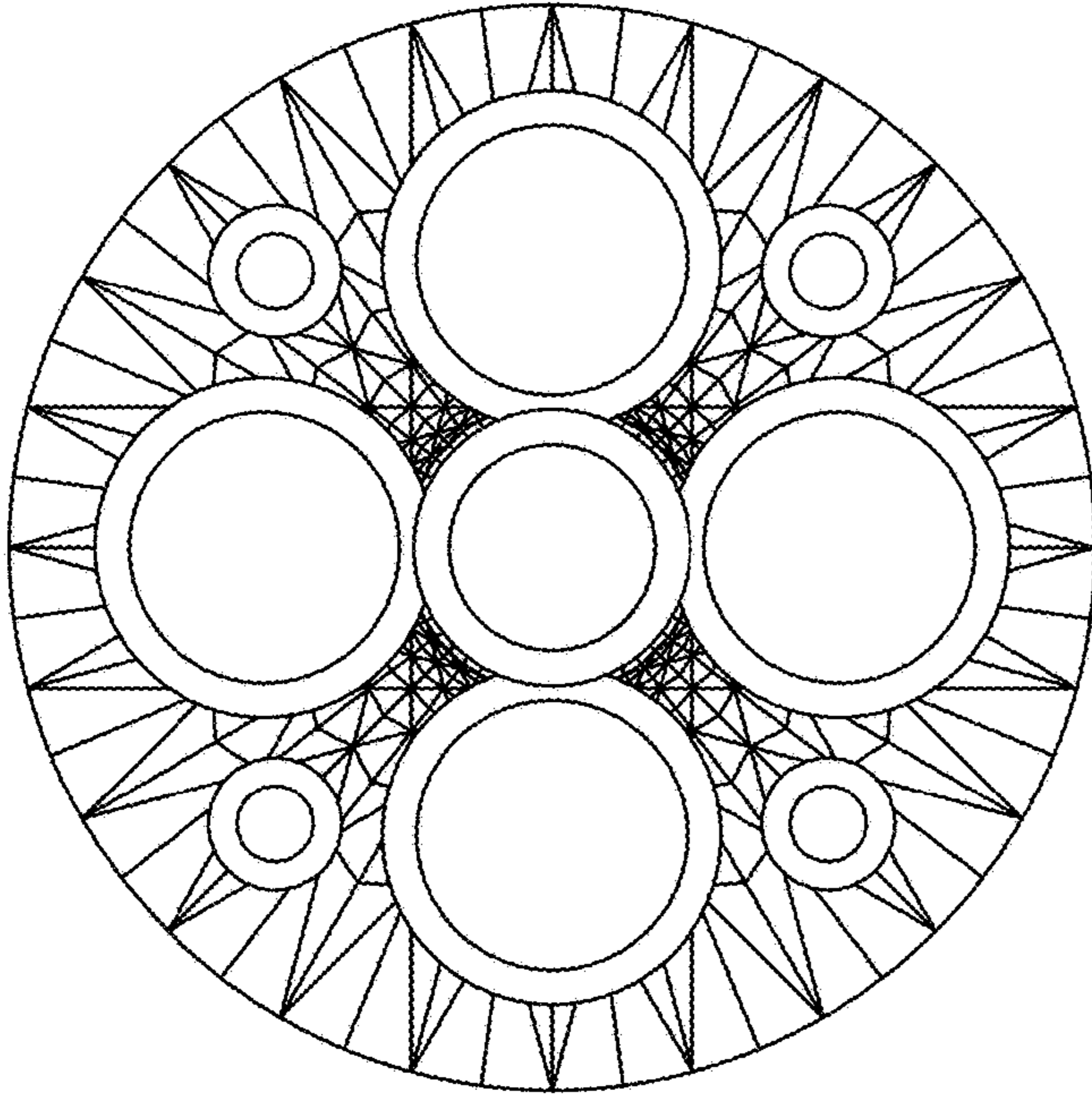


FIG. 17

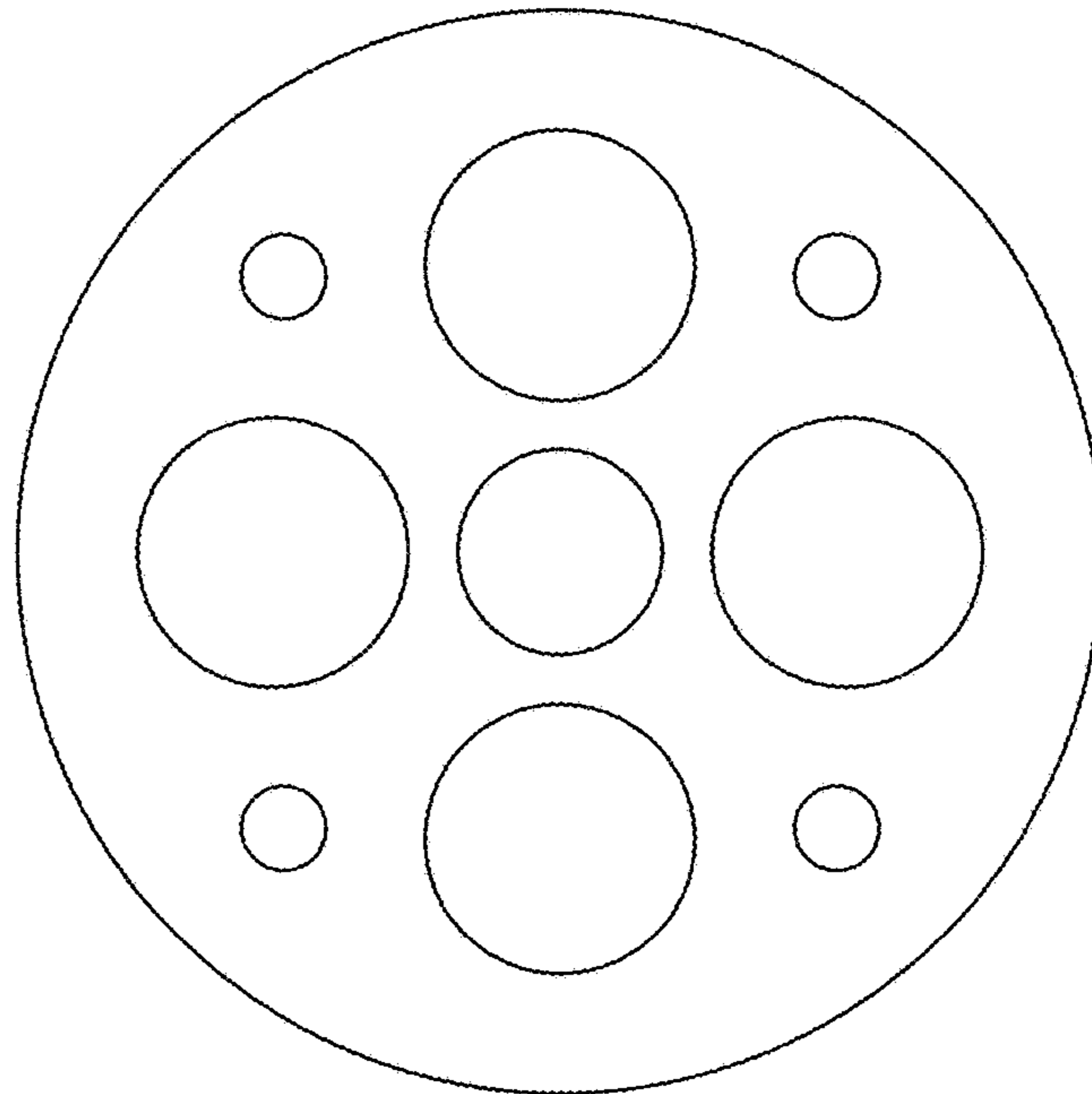


FIG. 18

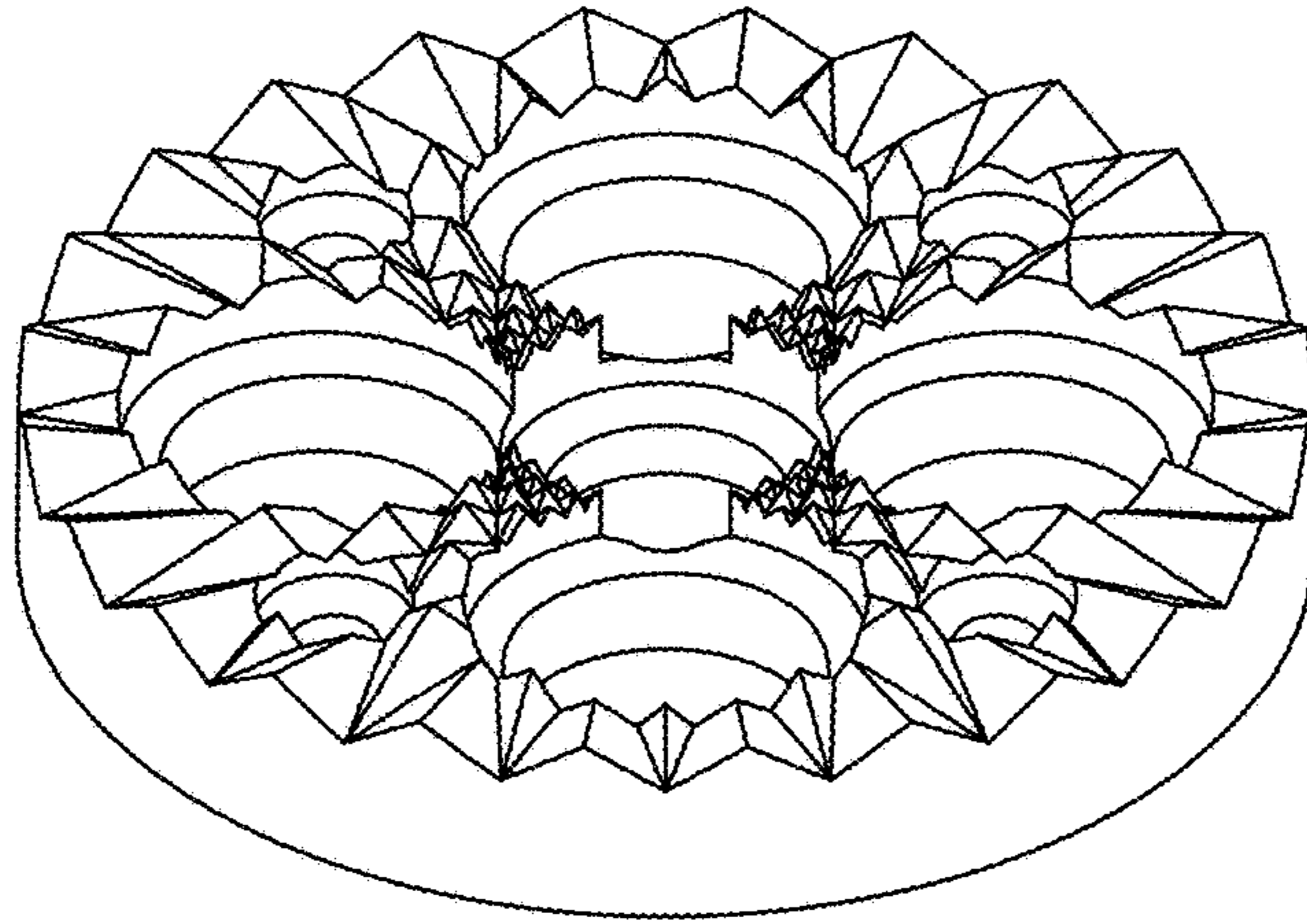


FIG. 19

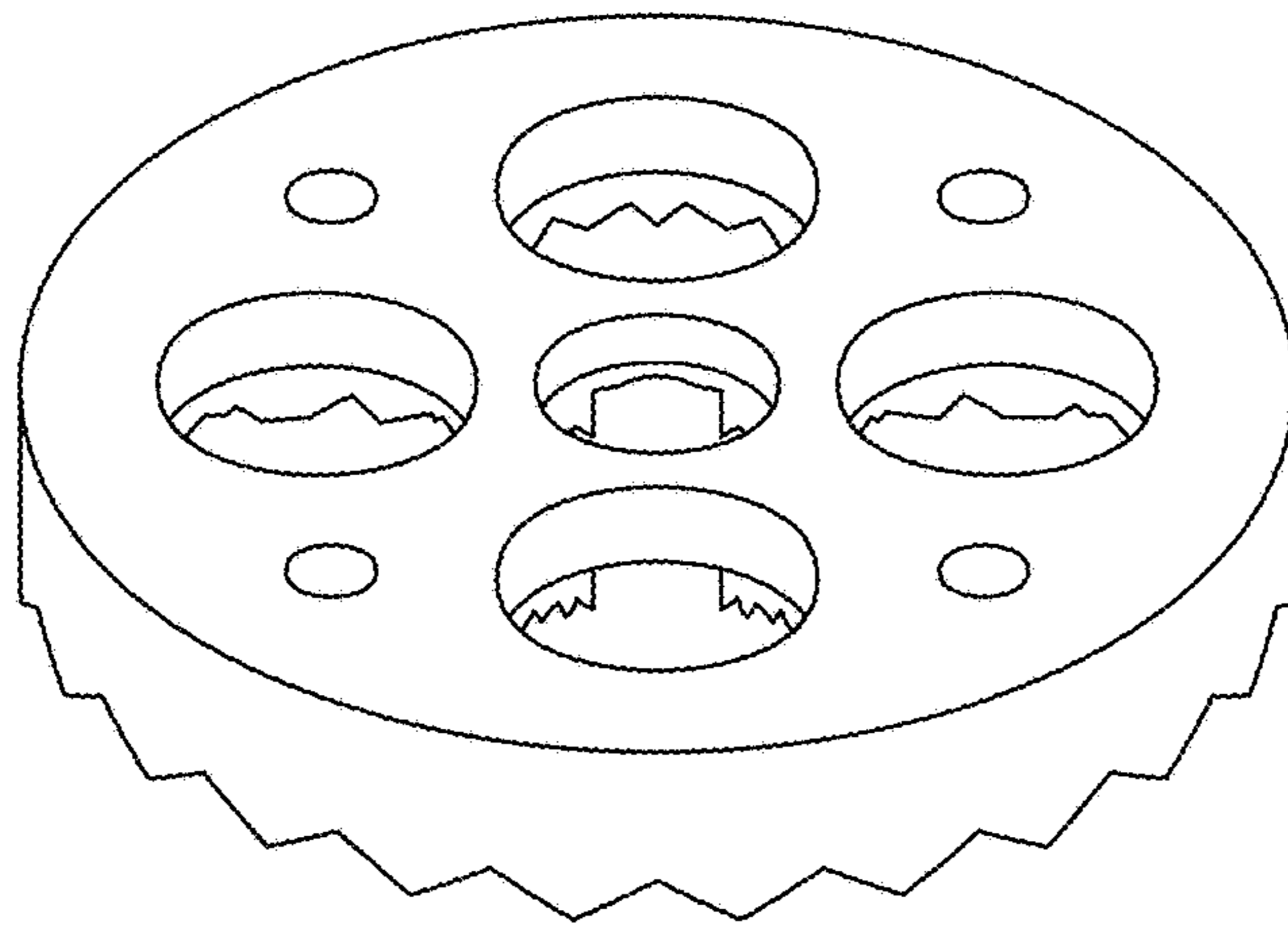


FIG. 20

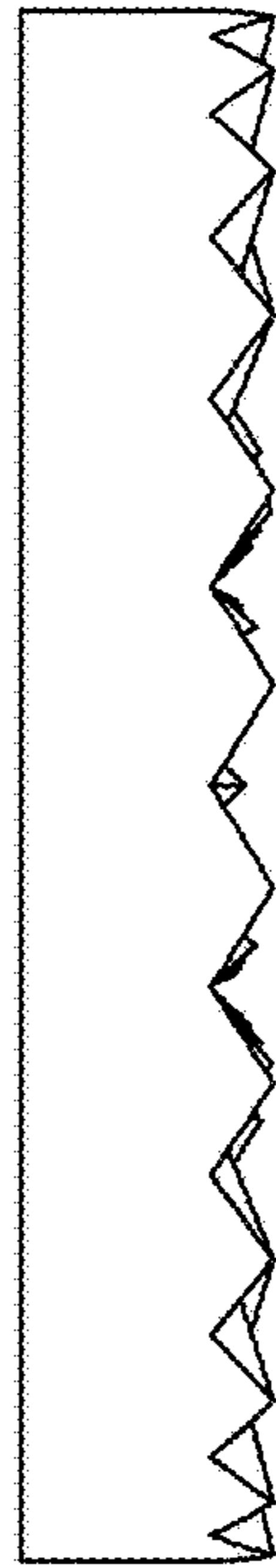


FIG. 21

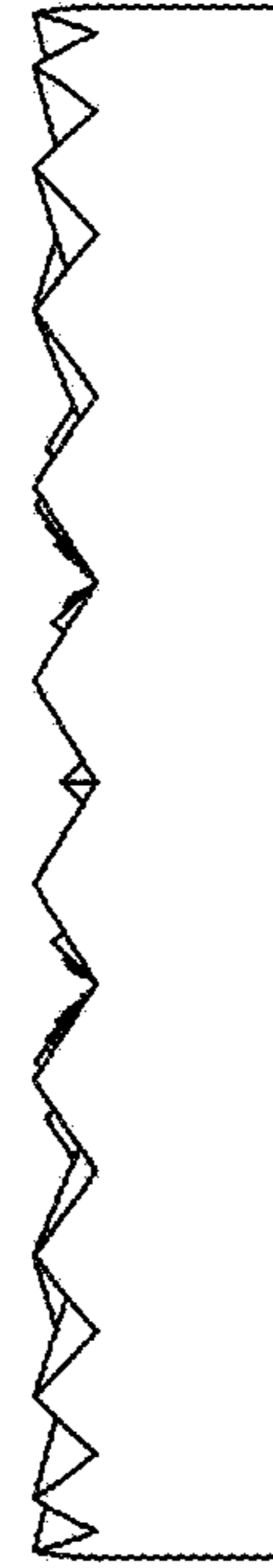


FIG. 22

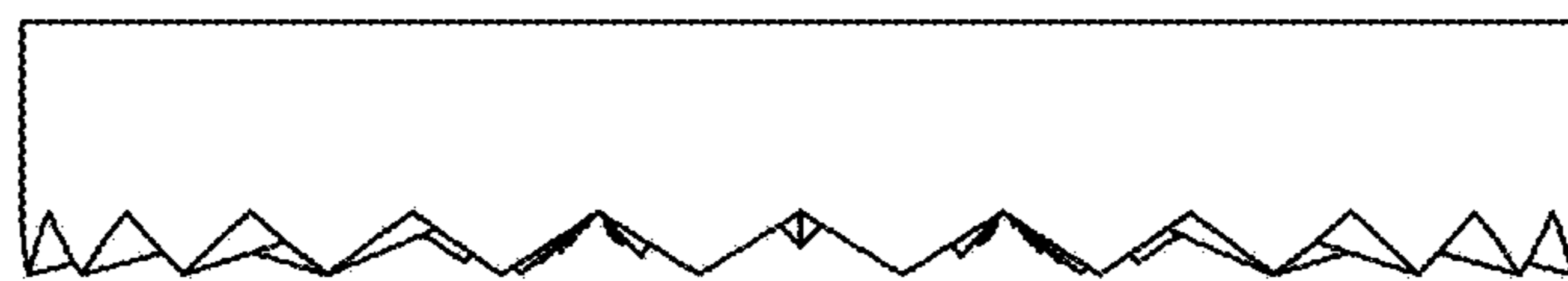


FIG. 23

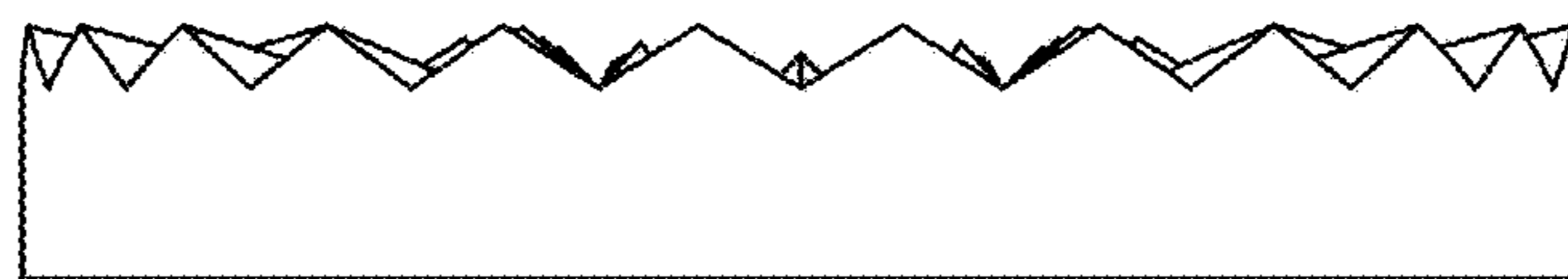


FIG. 24