



US00D872633S

(12) **United States Design Patent** (10) **Patent No.:** **US D872,633 S**
Baid (45) **Date of Patent:** **** Jan. 14, 2020**

(54) **GEMSTONE SETTING**
(71) Applicant: **Devendra Baid**, Rego Park, NY (US)
(72) Inventor: **Devendra Baid**, Rego Park, NY (US)
(**) Term: **15 Years**
(21) Appl. No.: **29/583,809**
(22) Filed: **Nov. 9, 2016**
(51) **LOC (12) Cl.** **11-01**
(52) **U.S. Cl.**
USPC **D11/91**
(58) **Field of Classification Search**
USPC D11/1-43, 47, 77-80, 85, 86, 89-92
CPC A44C 1/00; A44C 5/00; A44C 5/0007;
A44C 5/0015; A44C 5/0023; A44C
5/003; A44C 5/0084; A44C 5/0092; A44C
7/00; A44C 7/001; A44C 7/002; A44C
7/003; A44C 7/004; A44C 7/005; A44C
9/00; A44C 9/0038; A44C 9/0046; A44C
9/0053; A44C 9/0061; A44C 9/0069;
A44C 9/0084; A44C 9/02; A44C 13/00
See application file for complete search history.

(56) **References Cited**
U.S. PATENT DOCUMENTS
D68,640 S * 11/1925 Robbins D11/34
D114,649 S * 5/1939 Simon D11/91
D400,121 S * 10/1998 Ambar D11/91
D417,636 S * 12/1999 Ambar D11/79
D425,817 S * 5/2000 Gurevich D11/91
D430,061 S * 8/2000 Chan D11/92
D431,204 S * 9/2000 Gurevich D11/92
D442,514 S * 5/2001 Chan D11/91
D443,553 S * 6/2001 Chan D11/90

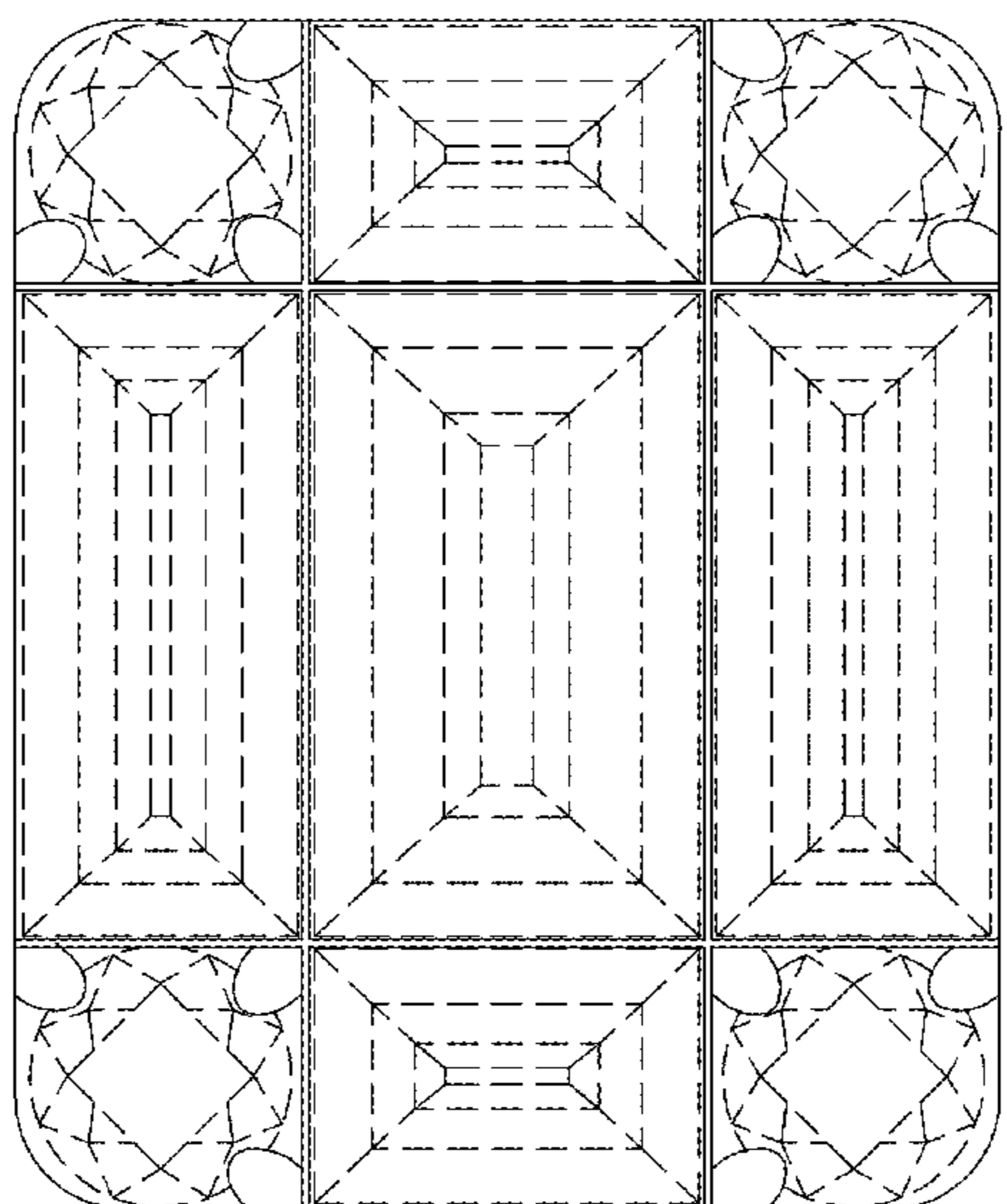
D453,706 S * 2/2002 Lai D11/91
D459,679 S * 7/2002 Patumraj D11/91
D468,228 S * 1/2003 Gurevich D11/91
D473,816 S * 4/2003 Gurevich D11/91
D534,095 S * 12/2006 Lai D11/92
D563,261 S * 3/2008 Shah D11/91
D794,500 S * 8/2017 Crafton D11/92
D798,761 S * 10/2017 Shah D11/91
D804,984 S * 12/2017 Shah D11/91

* cited by examiner
Primary Examiner — L. Martinez
(74) *Attorney, Agent, or Firm* — Jennifer Meredith, Esq.;
Meredith Attorneys, PLLC

(57) **CLAIM**
I claim the ornamental design for a gemstone setting, as
shown and described.

DESCRIPTION
FIG. 1 is a top view of a gemstone setting showing my new
design;
FIG. 2 is a bottom view thereof;
FIG. 3 is a side view thereof;
FIG. 4 is a side view thereof;
FIG. 5 is a perspective view thereof;
FIG. 6 is another perspective view thereof;
FIG. 7 is another perspective view thereof, showing the
gemstone setting in a configuration of use;
FIG. 8 is another perspective view thereof, showing the
gemstone setting in a configuration of use; and,
FIG. 9 is another perspective view thereof, showing the
gemstone setting in a configuration of use.
The broken lines shown in FIGS. 1 through 9 illustrate
environmental subject matter only and form no part of the
claimed design.

1 Claim, 9 Drawing Sheets



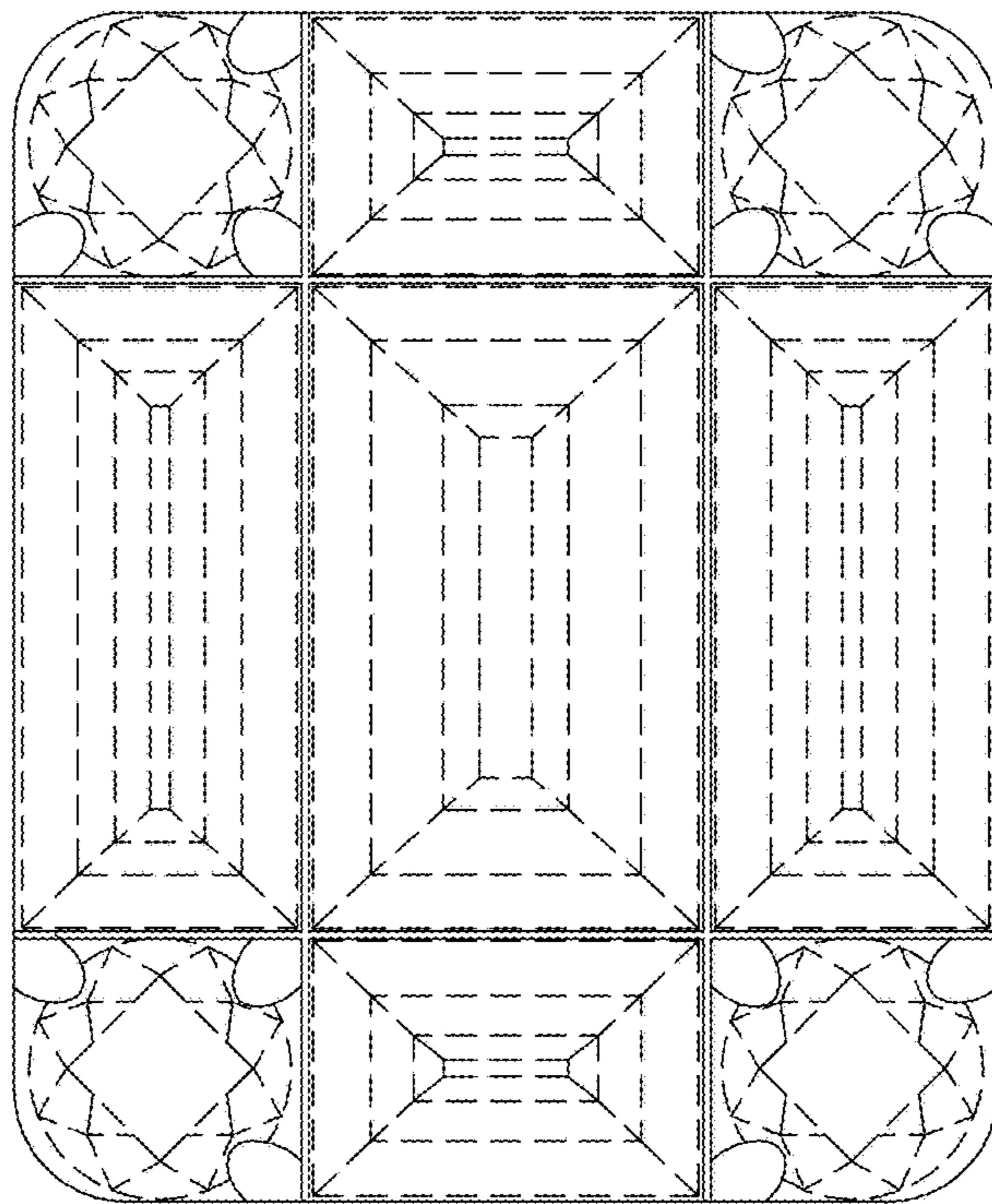


Fig. 1

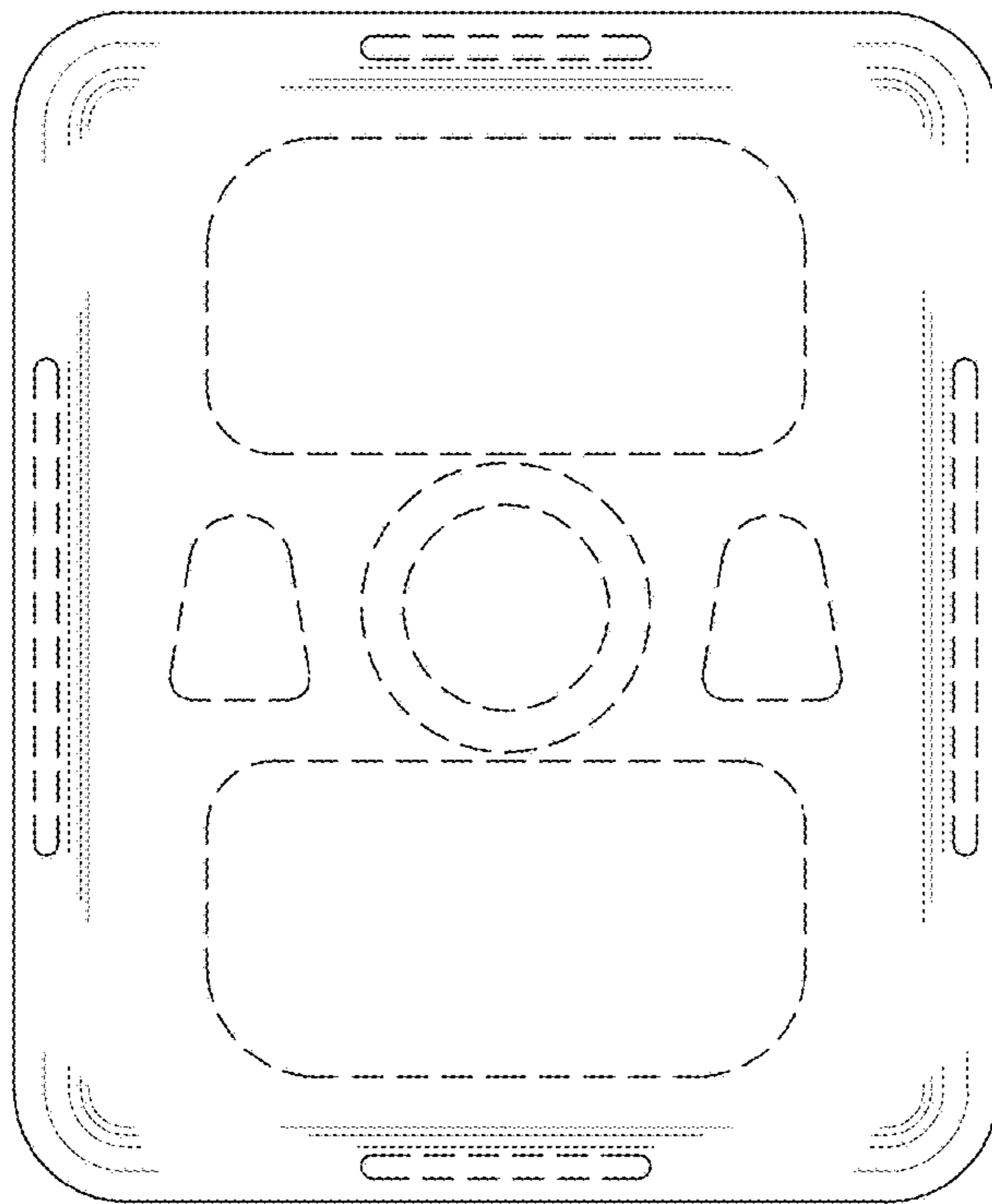


Fig. 2

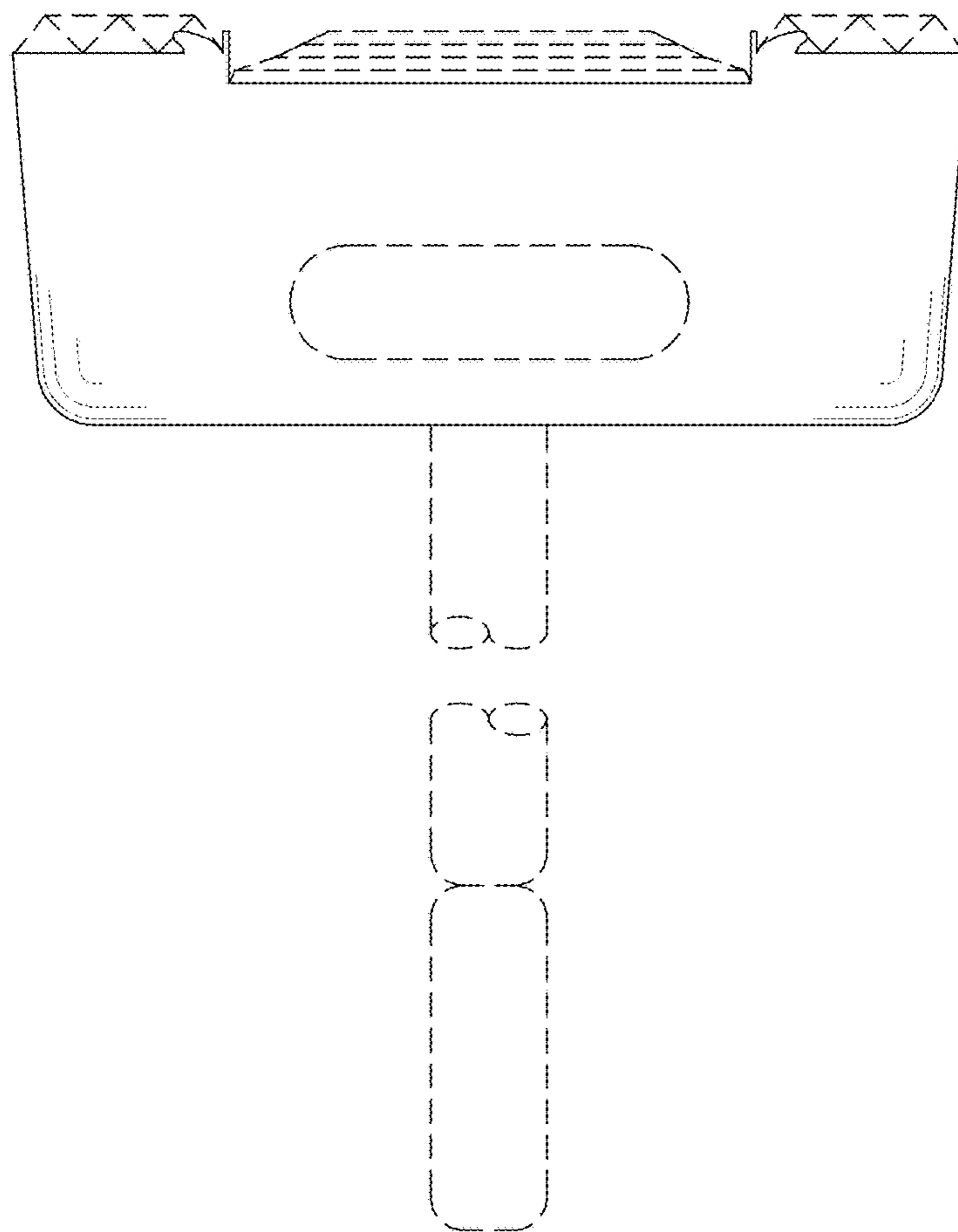


Fig. 3

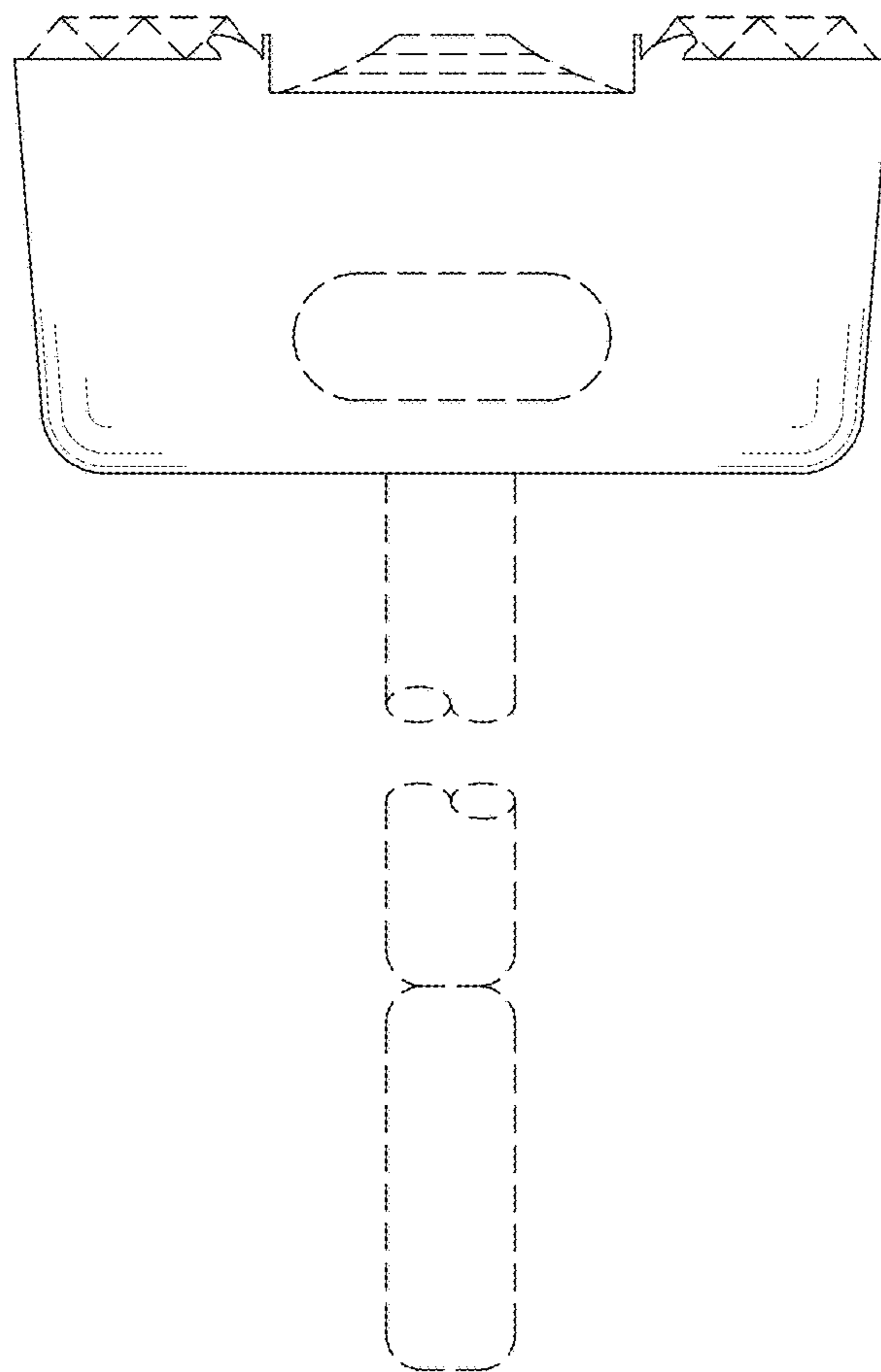


Fig. 4

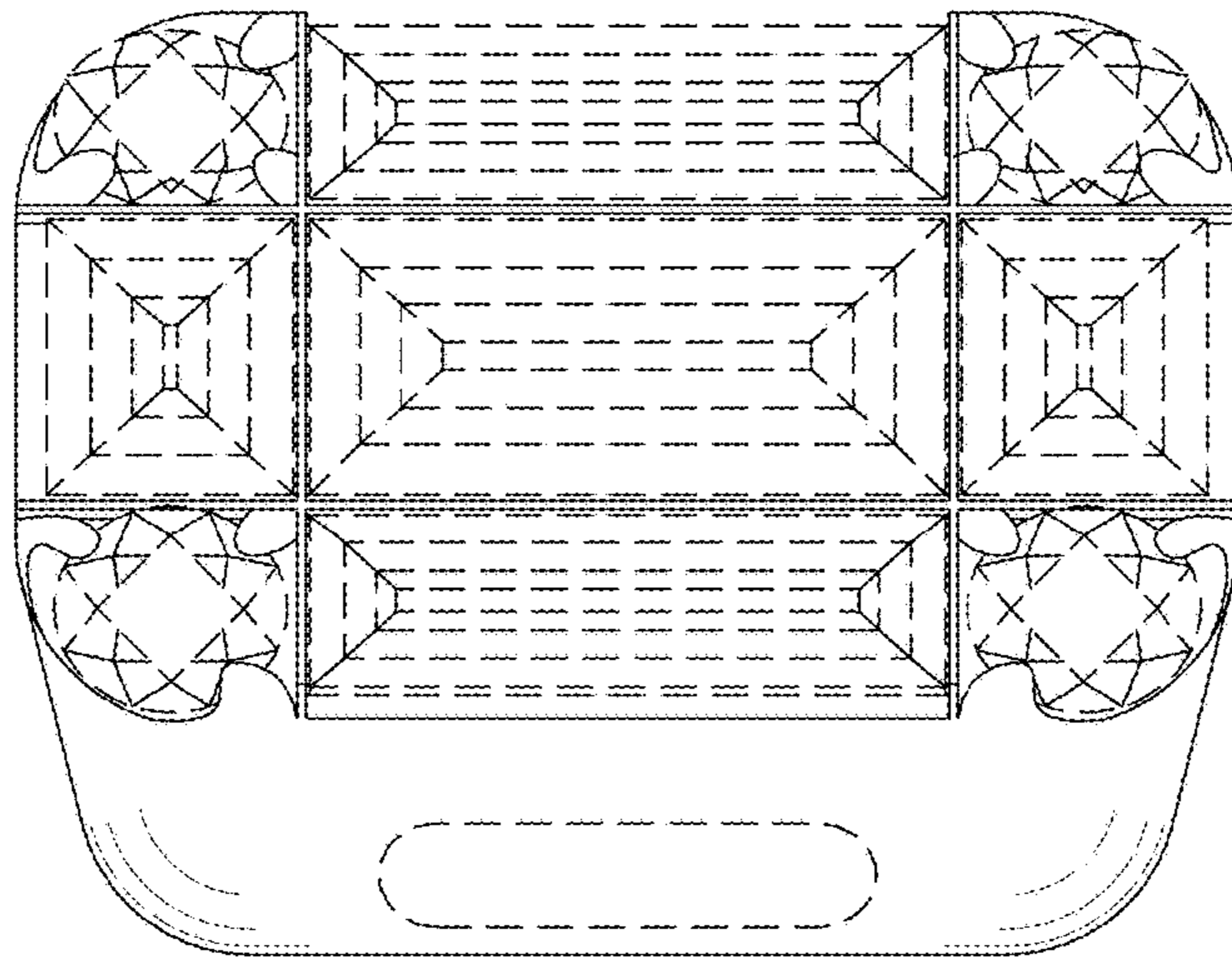


Fig. 5

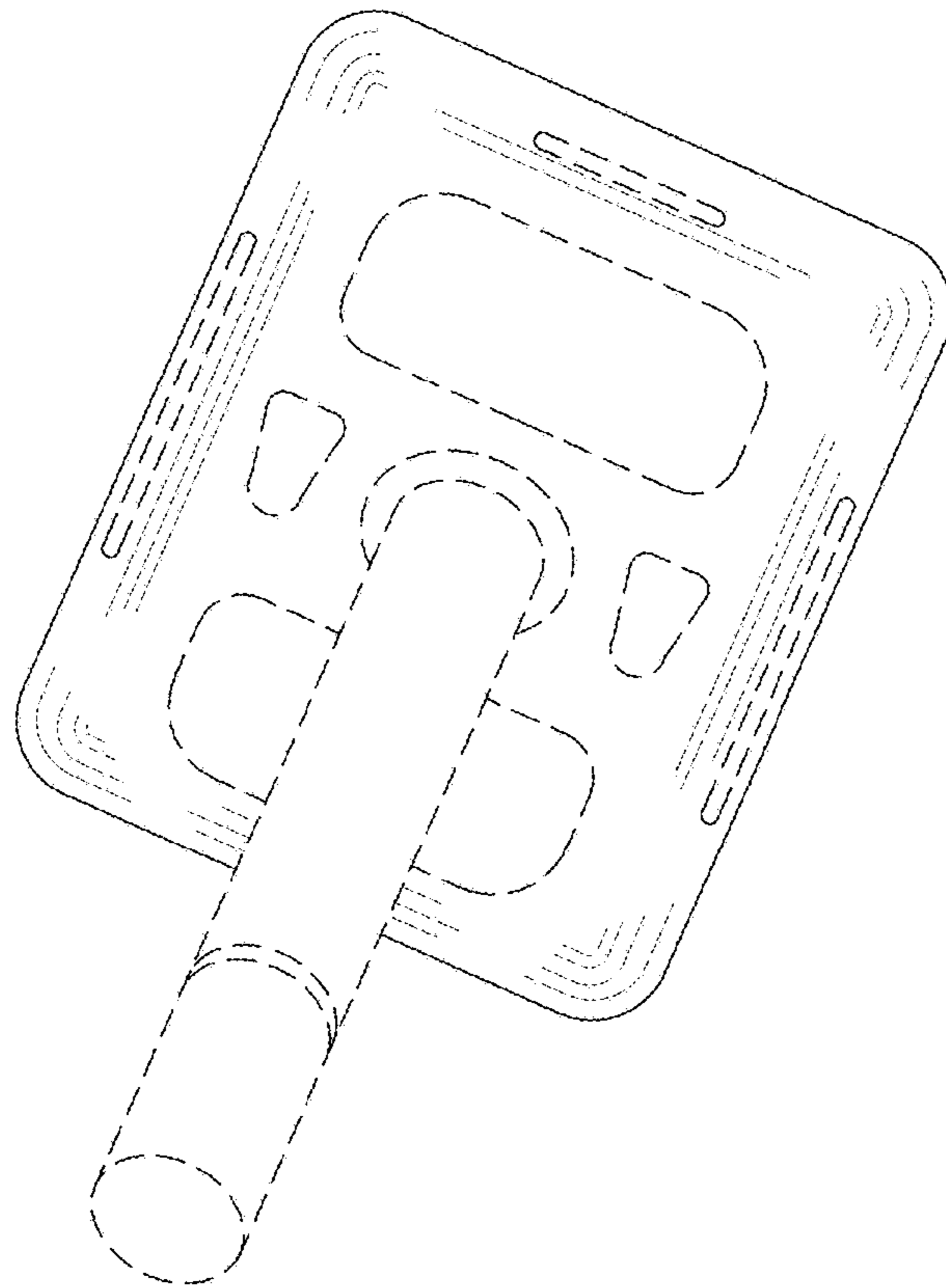


Fig. 6

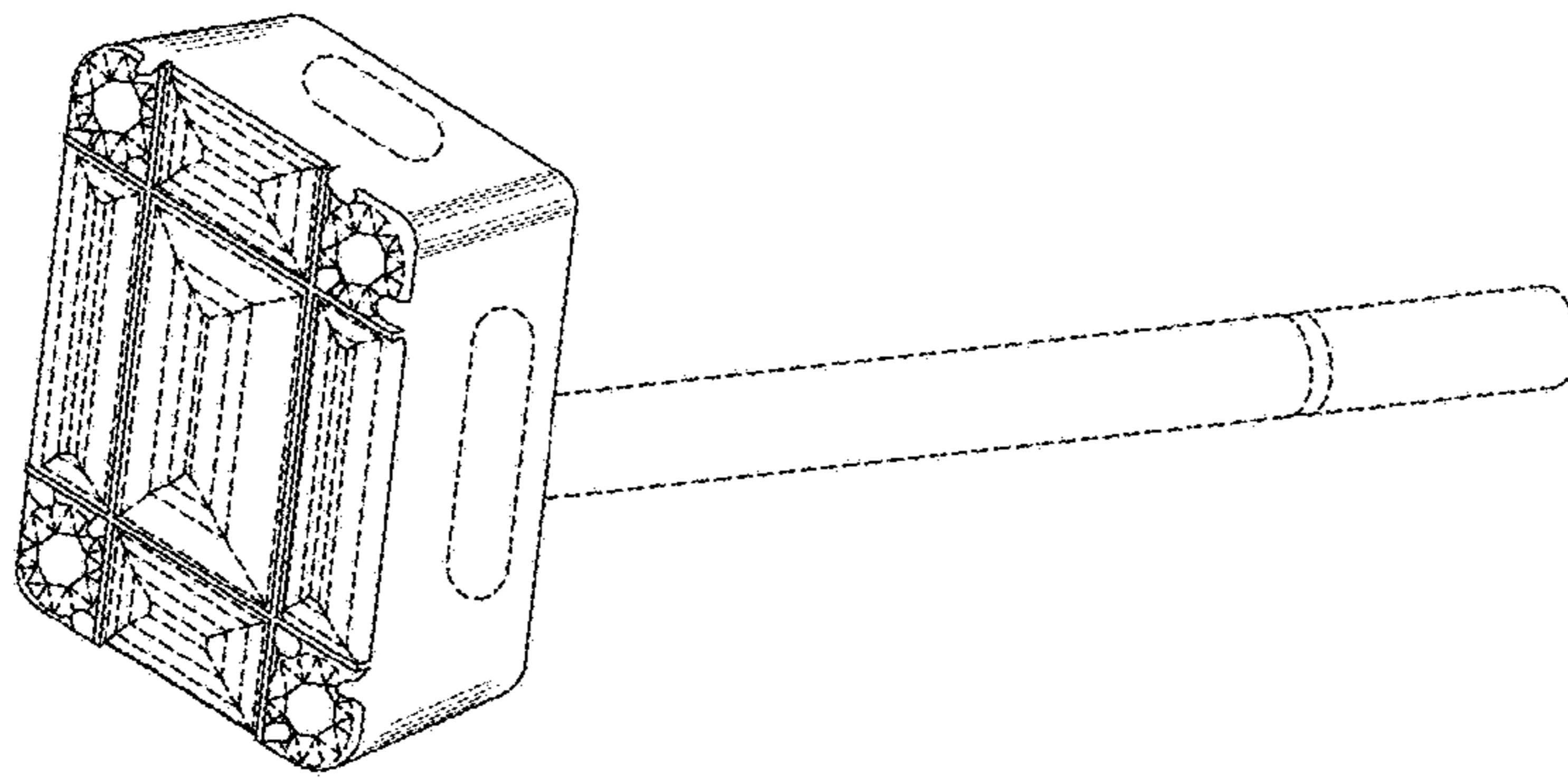


Fig. 7

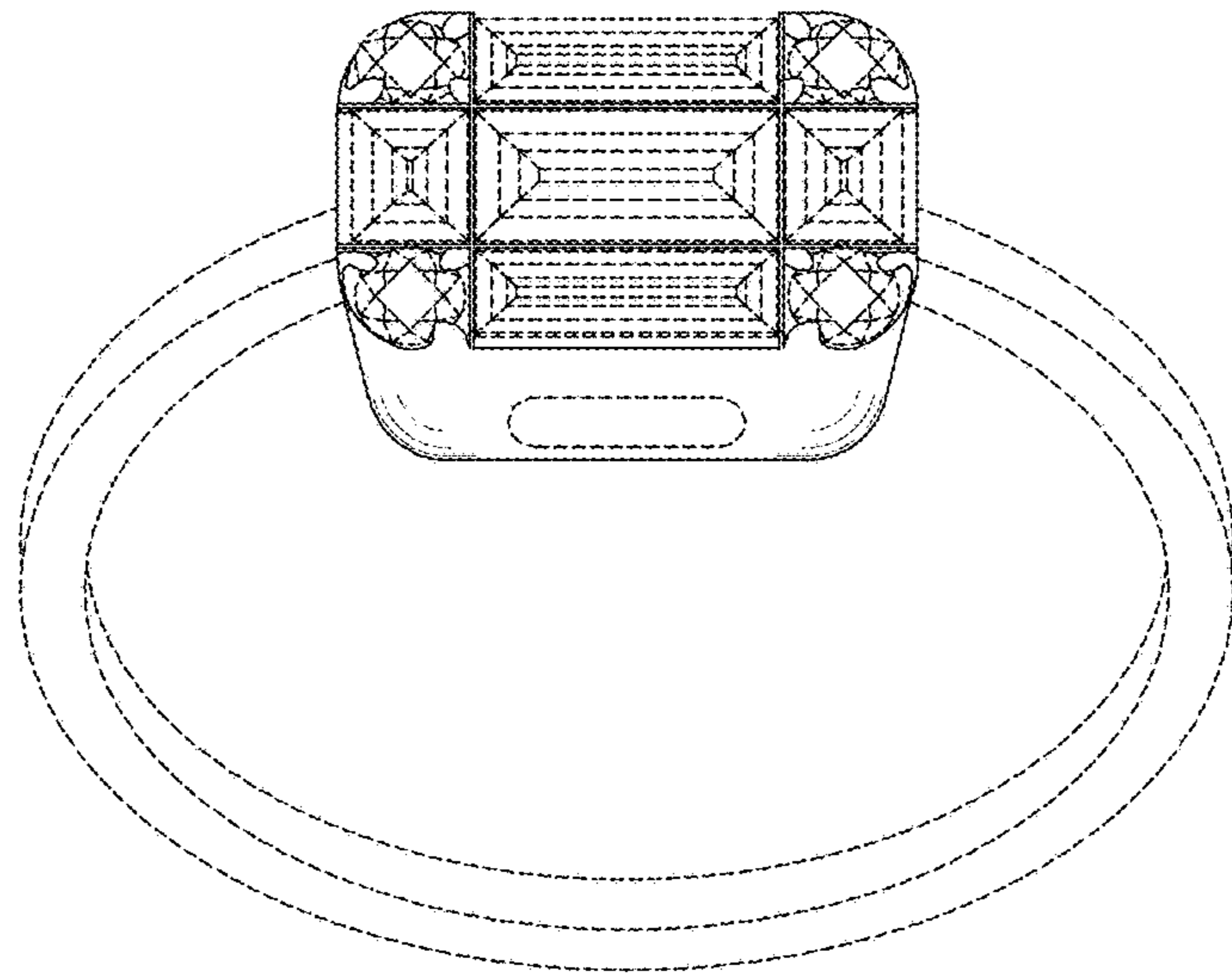


Fig. 8

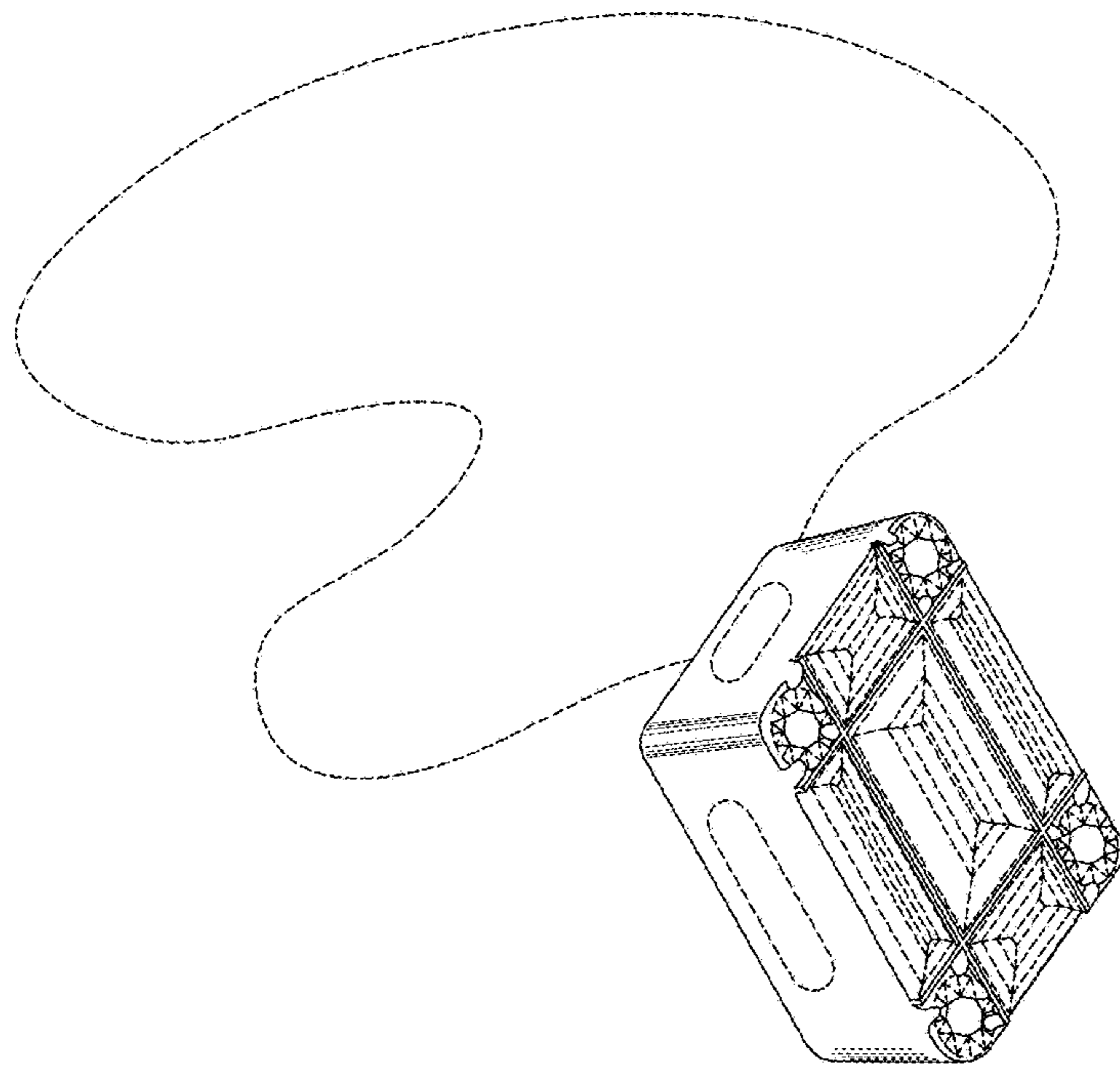


Fig. 9