



US00D872630S

(12) **United States Design Patent**
Liberman et al.

(10) **Patent No.:** **US D872,630 S**
(45) **Date of Patent:** **** Jan. 14, 2020**

(54) **NECKLACE**

- (71) Applicant: **Kinekt Design LLC**, Livingston, NJ (US)
- (72) Inventors: **Glen Liberman**, Short Hills, NJ (US);
Rachel Liberman, Short Hills, NJ (US)
- (73) Assignee: **Kinekt Design**, Livingston, NJ (US)
- (**) Term: **15 Years**

(21) Appl. No.: **29/663,098**

(22) Filed: **Sep. 12, 2018**

(51) **LOC (12) Cl.** **11-01**

(52) **U.S. Cl.**
USPC **D11/79**

(58) **Field of Classification Search**

USPC D11/1-3, 6-10, 15-17, 26-30, 34-35,
D11/40-45, 48, 56, 61, 75, 76, 36-38, 47,
D11/79, 81, 83, 87, 88, 116, 117, 89-92,
D11/80, 93; D28/81, 83; D14/480.7;
D9/432; D3/207

CPC A44C 9/00; A44C 9/0007; A44C 9/0015;
A44C 9/0023; A44C 9/003; A44C
9/0038; A44C 9/0046; A44C 9/0053;
A44C 9/0061; A44C 9/0069; A44C
9/0076; A44C 9/0084; A44C 9/0092;
A44C 9/02; A44C 1/00; A44C 7/00;
A44C 7/002; A44C

(Continued)

(56) **References Cited**

U.S. PATENT DOCUMENTS

- 1,983,083 A * 12/1934 Irelan A45D 40/02
401/62
- D267,700 S * 1/1983 Skarin 206/443

(Continued)

OTHER PUBLICATIONS

Engraved Birthstone 4-Sided Bar Name Necklace Gold Plated, no date available, [online], [site visited Sep. 25, 2019]. Retrieved from url:https://www.sheown.com/engraved-4-sided-bar-name-necklace-with-birthstones-gold-plated (Year: 2019).*

Primary Examiner — Cathron C Brooks
Assistant Examiner — Tracey J Bell

(57) **CLAIM**

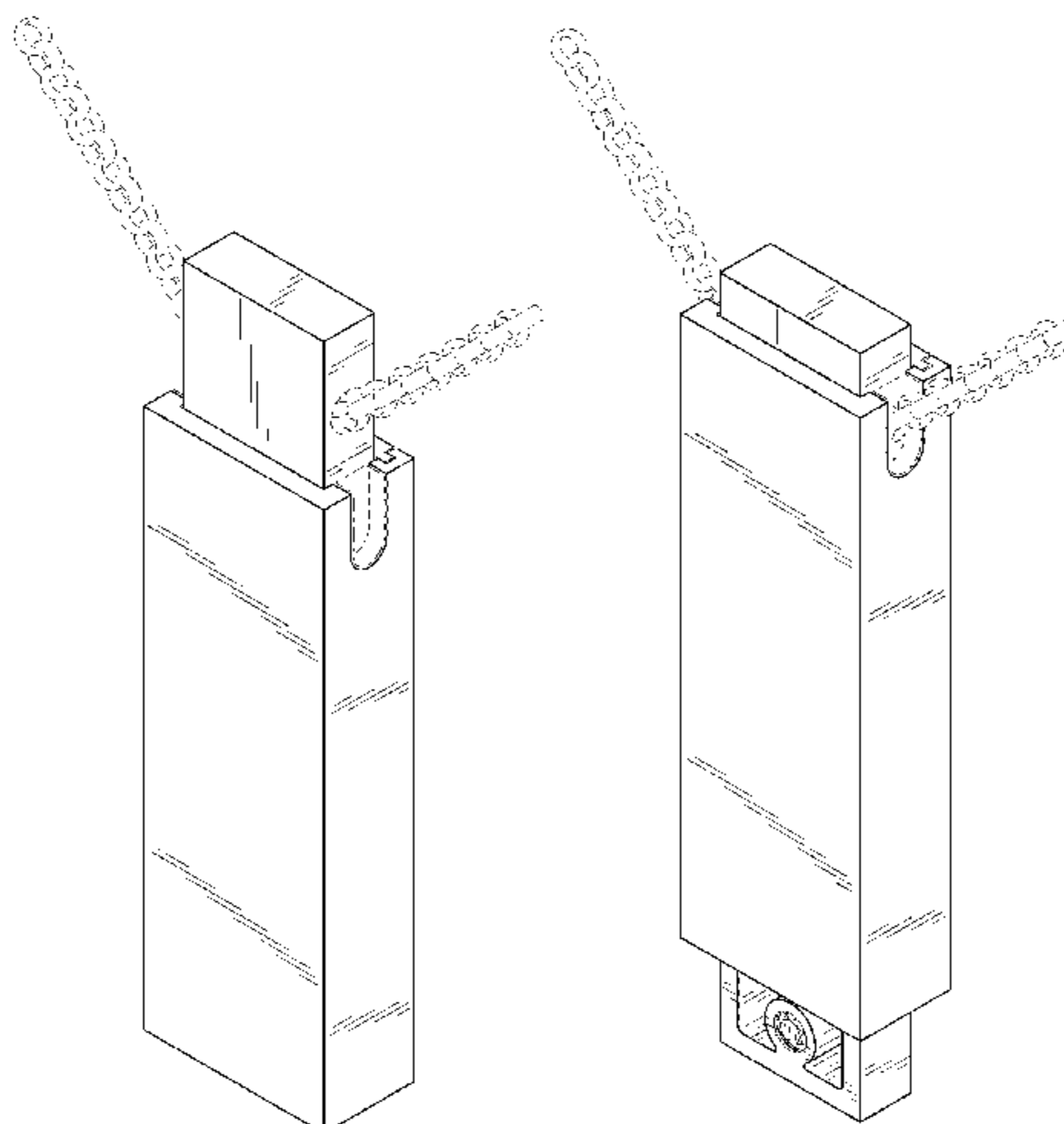
The ornamental design for a necklace, as shown and described.

DESCRIPTION

FIG. 1 is a front view of the necklace of the present design in the closed position;
FIG. 2 is a front view of the necklace shown in FIG. 1 in the open position;
FIG. 3 is a back view of the necklace shown in FIG. 1 in the closed position;
FIG. 4 is a back view of the necklace of FIG. 1 in the open position;
FIG. 5 is a front perspective view of the necklace of FIG. 1 in the closed position;
FIG. 6 is a front perspective view of the necklace of FIG. 1 in the open position;
FIG. 7 is a perspective view of the necklace of FIG. 1 in the closed position;
FIG. 8 is a perspective view of the necklace of FIG. 1 in the open position;
FIG. 9 is a side view of the necklace of FIG. 1 in the closed position;
FIG. 10 is a side view of the necklace of FIG. 1 in the open position;
FIG. 11 is a top view of the necklace of FIG. 1; and,
FIG. 12 is a bottom view of the necklace of FIG. 1.

The evenly dashed broken lines depict portions of the necklace that form no part of the claimed design. The evenly dashed broken lines that define unshaded regions and that are adjacent to claimed surfaces depict boundaries to the claim. The uneven dot-dash broken lines depict boundaries to the claim and form no part thereof.

1 Claim, 11 Drawing Sheets



(58) **Field of Classification Search**

CPC 7/003; A44C 7/004; A44C 7/005; A44C
7/006; A44C 7/007; A44C 7/008; A44C
7/009; A44C 15/001; A44C 15/0005;
A44C 15/0025; A44C 15/0045; A44C
25/00; A44C 25/002; A44C 25/001; A44C
25/004; A44C 25/005; A44C 25/007;
A44C 25/008; A44C 13/00; A44C 3/00;
A44C 3/001; A44C 3/004; A44C 3/005

See application file for complete search history.

(56) **References Cited**

U.S. PATENT DOCUMENTS

D314,445 S * 2/1991 Addis D28/76
D321,647 S * 11/1991 Oldorf D6/517
D387,983 S * 12/1997 Lanoie D9/418
D591,900 S * 5/2009 McKenzie D27/189
D610,588 S * 2/2010 Chen D14/480.7
D618,130 S * 6/2010 Polonye D11/80
D670,712 S * 11/2012 Bolotin D14/480.5
D724,601 S * 3/2015 Hsieh D14/480.3
9,528,543 B2 * 12/2016 Hsieh F16B 45/02
D811,873 S * 3/2018 Turner D9/432
2017/0119112 A1 * 5/2017 Zachary A44C 17/0258

* cited by examiner

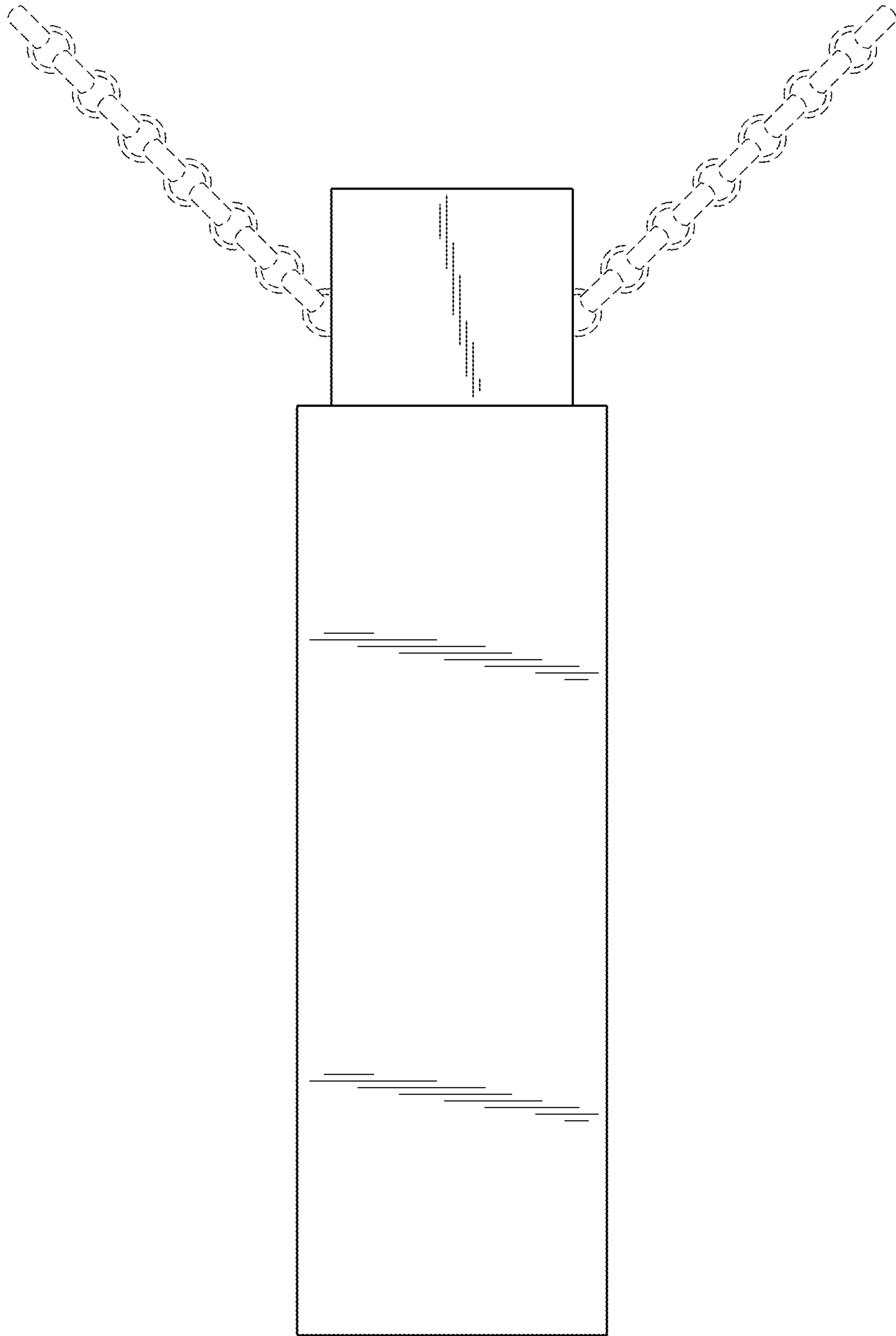


FIG. 1

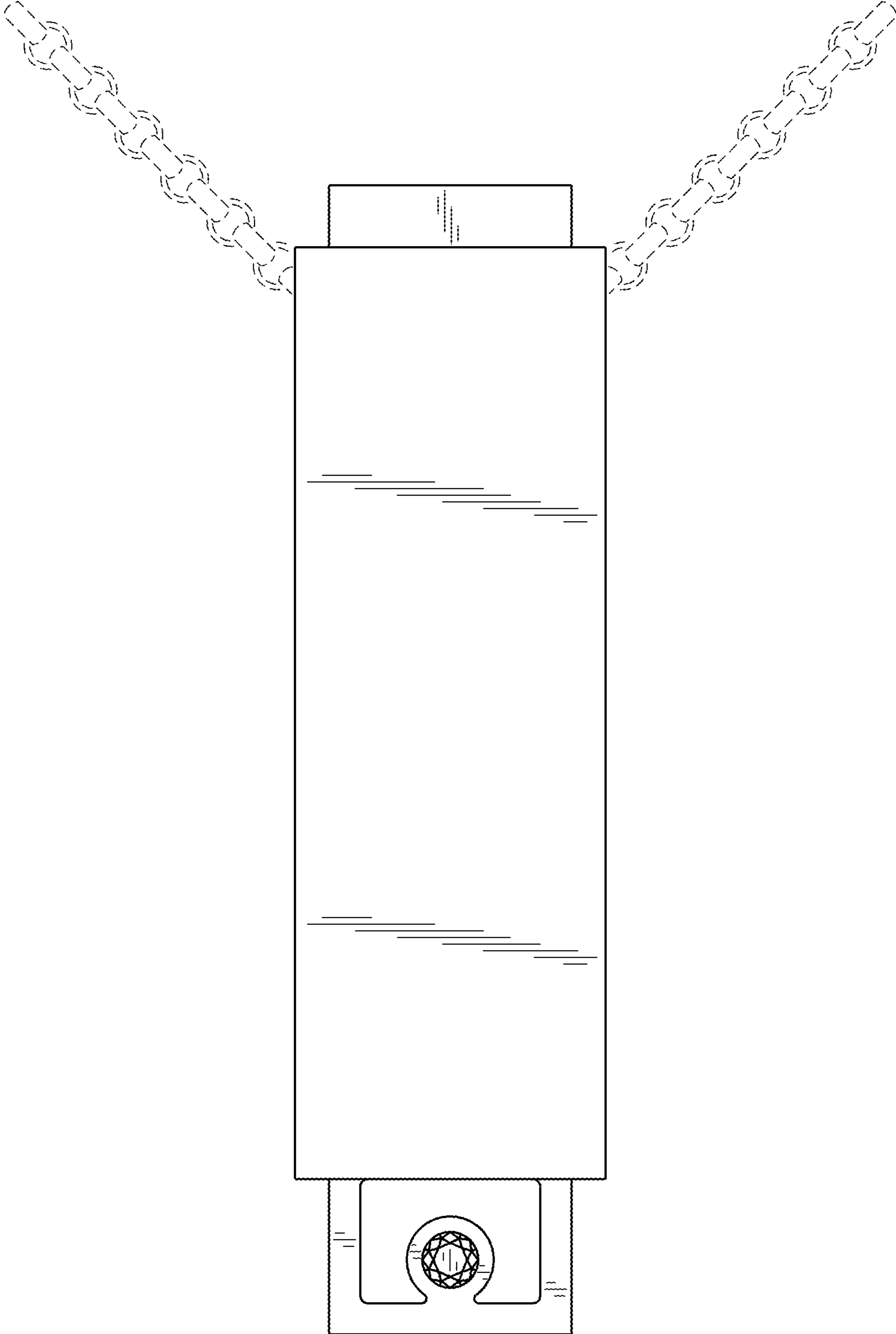


FIG. 2

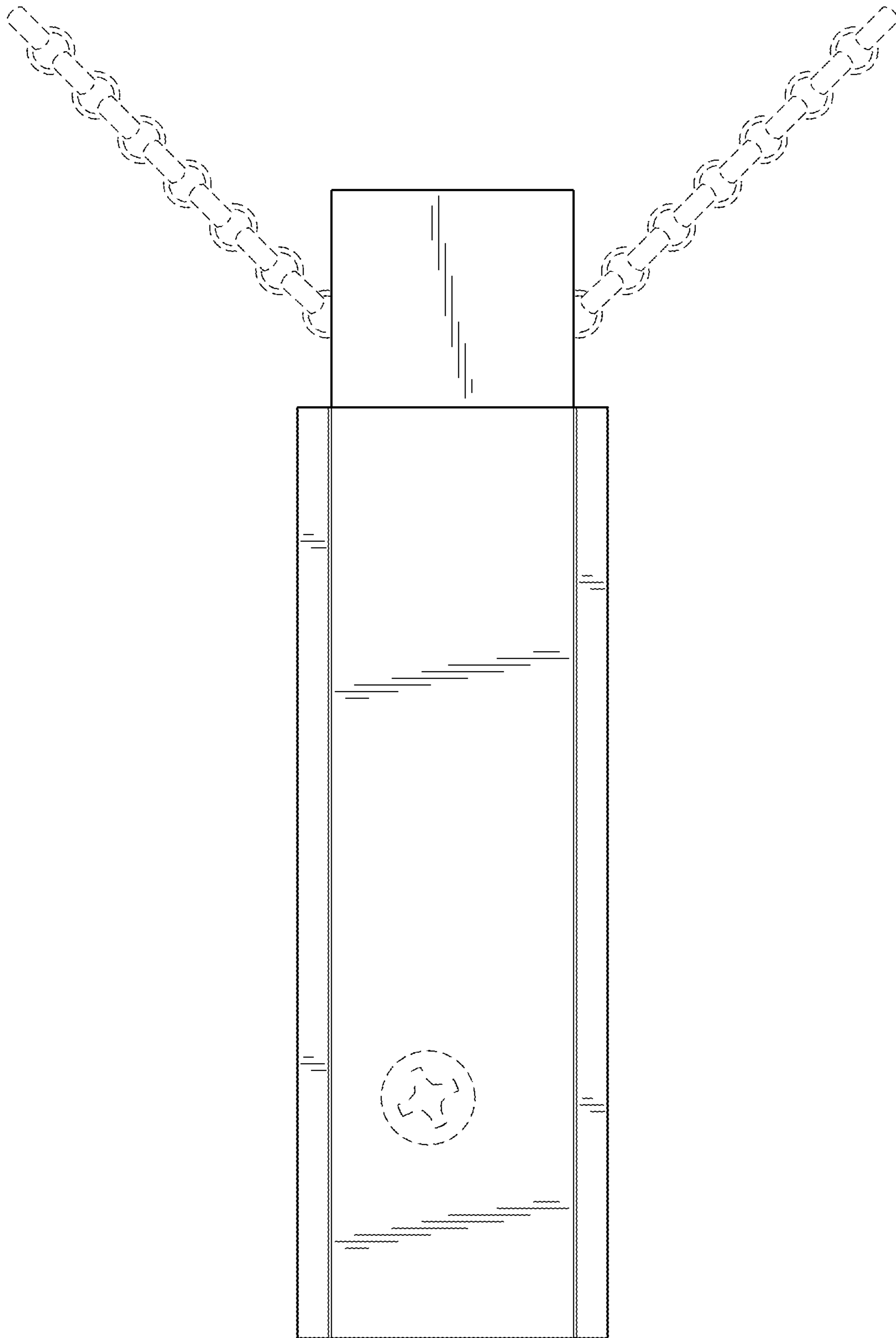


FIG. 3

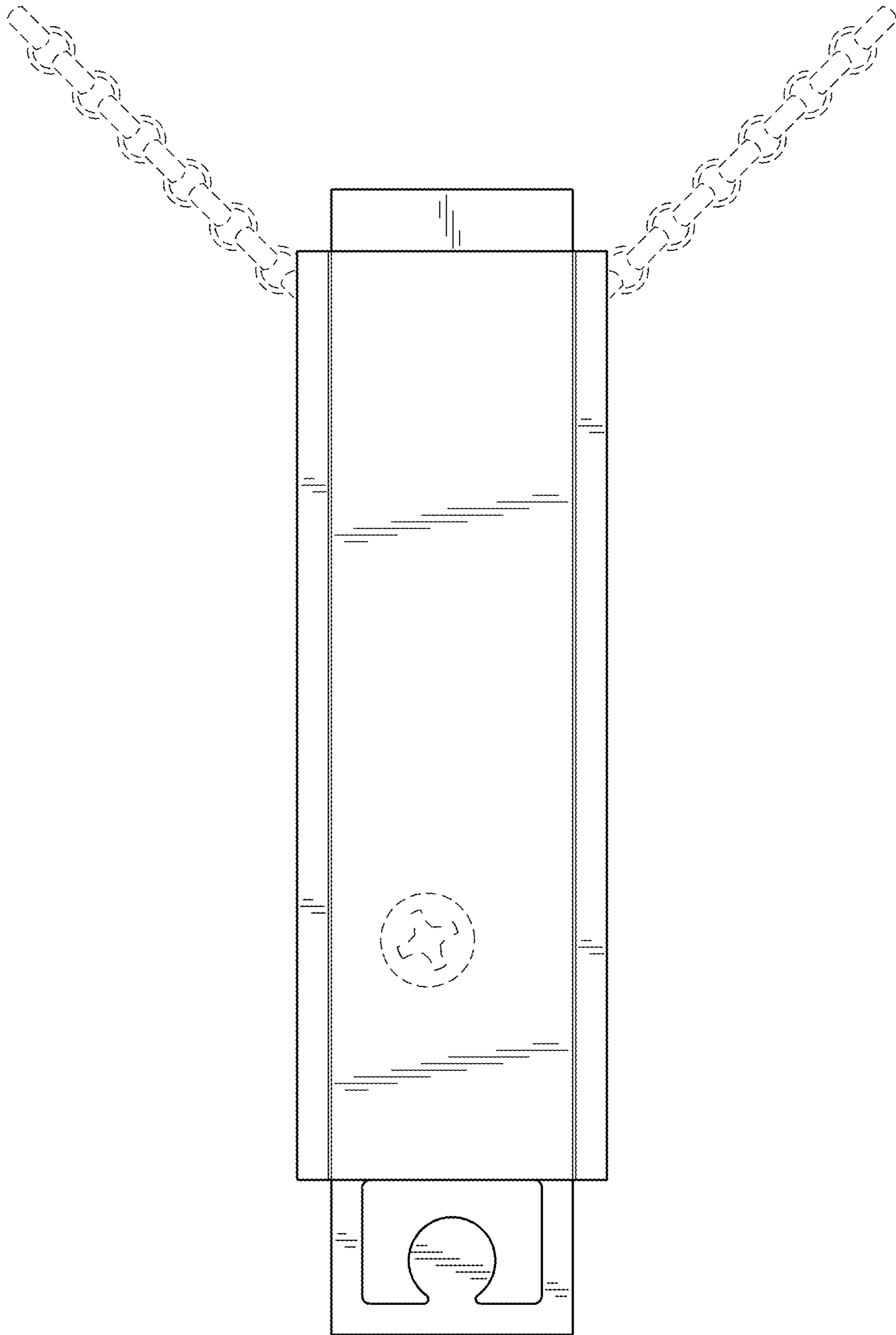


FIG. 4

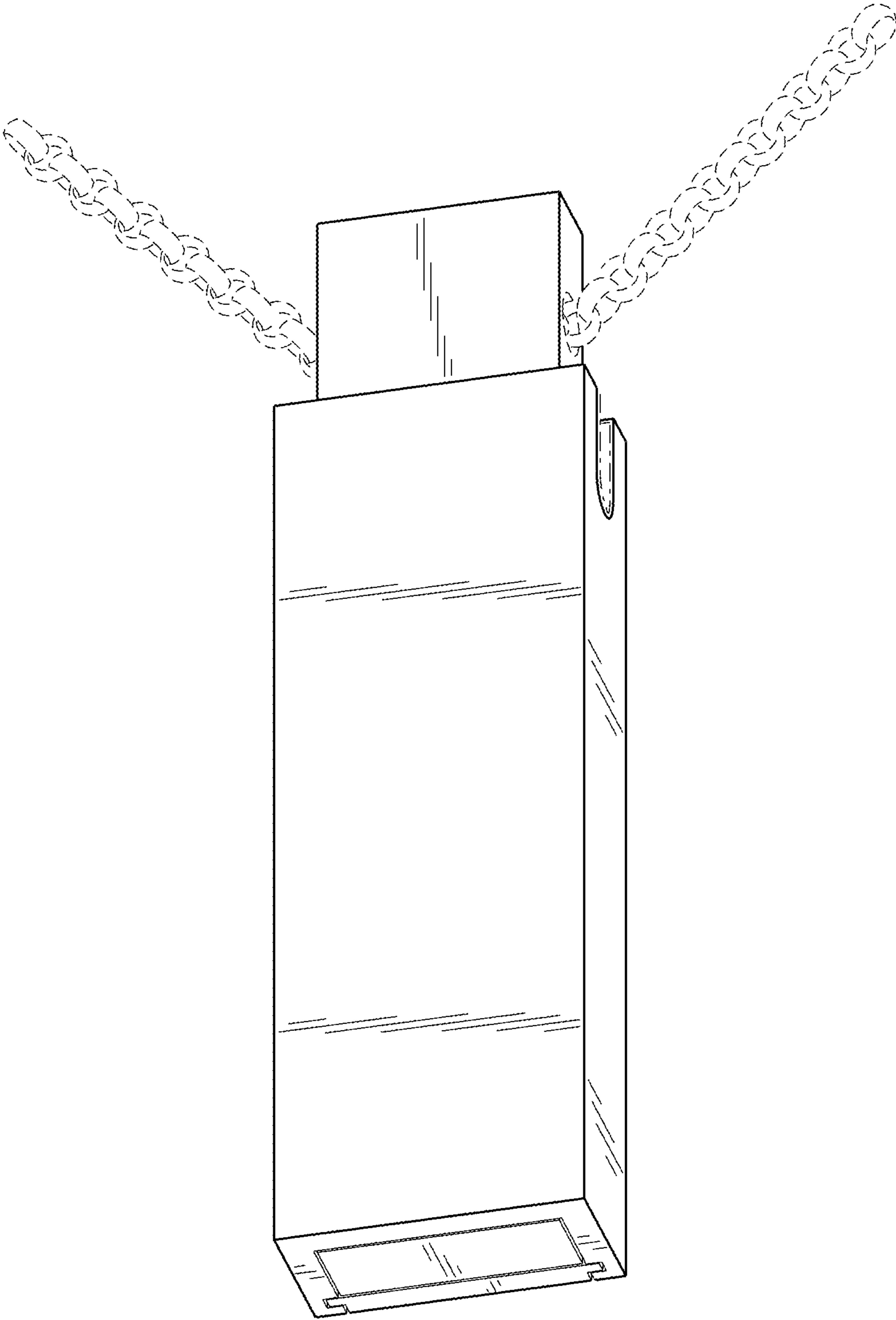


FIG. 5

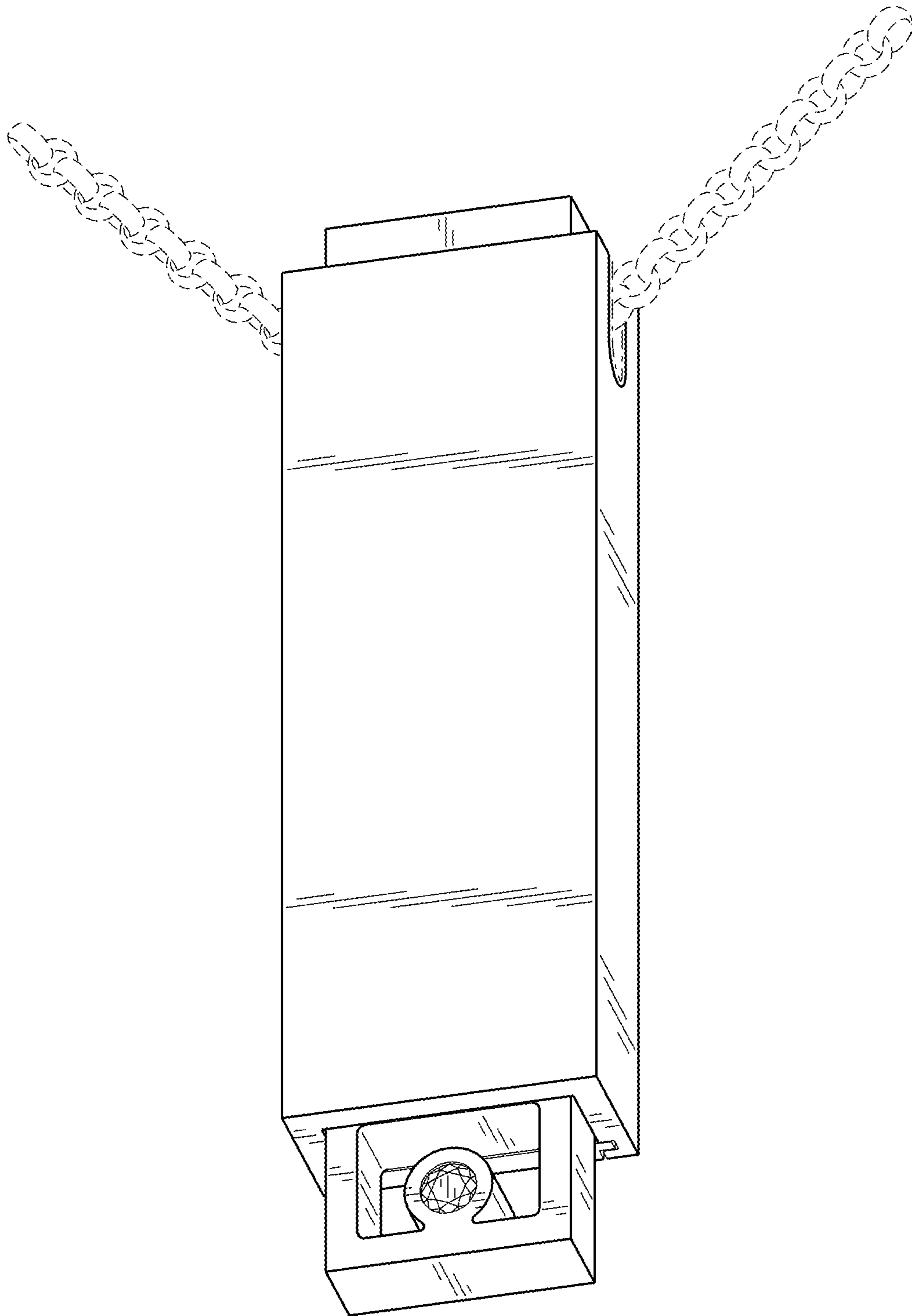


FIG. 6

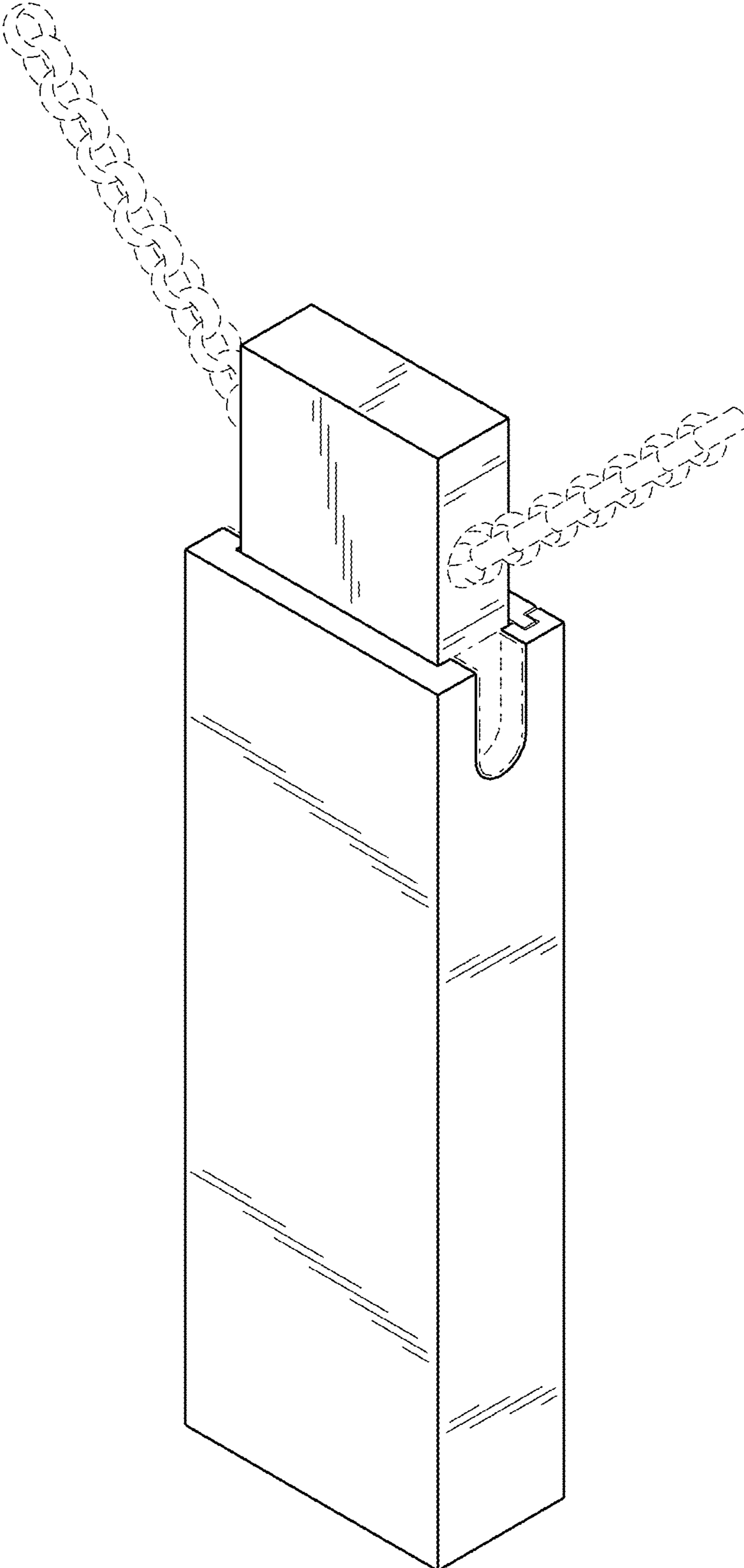


FIG. 7

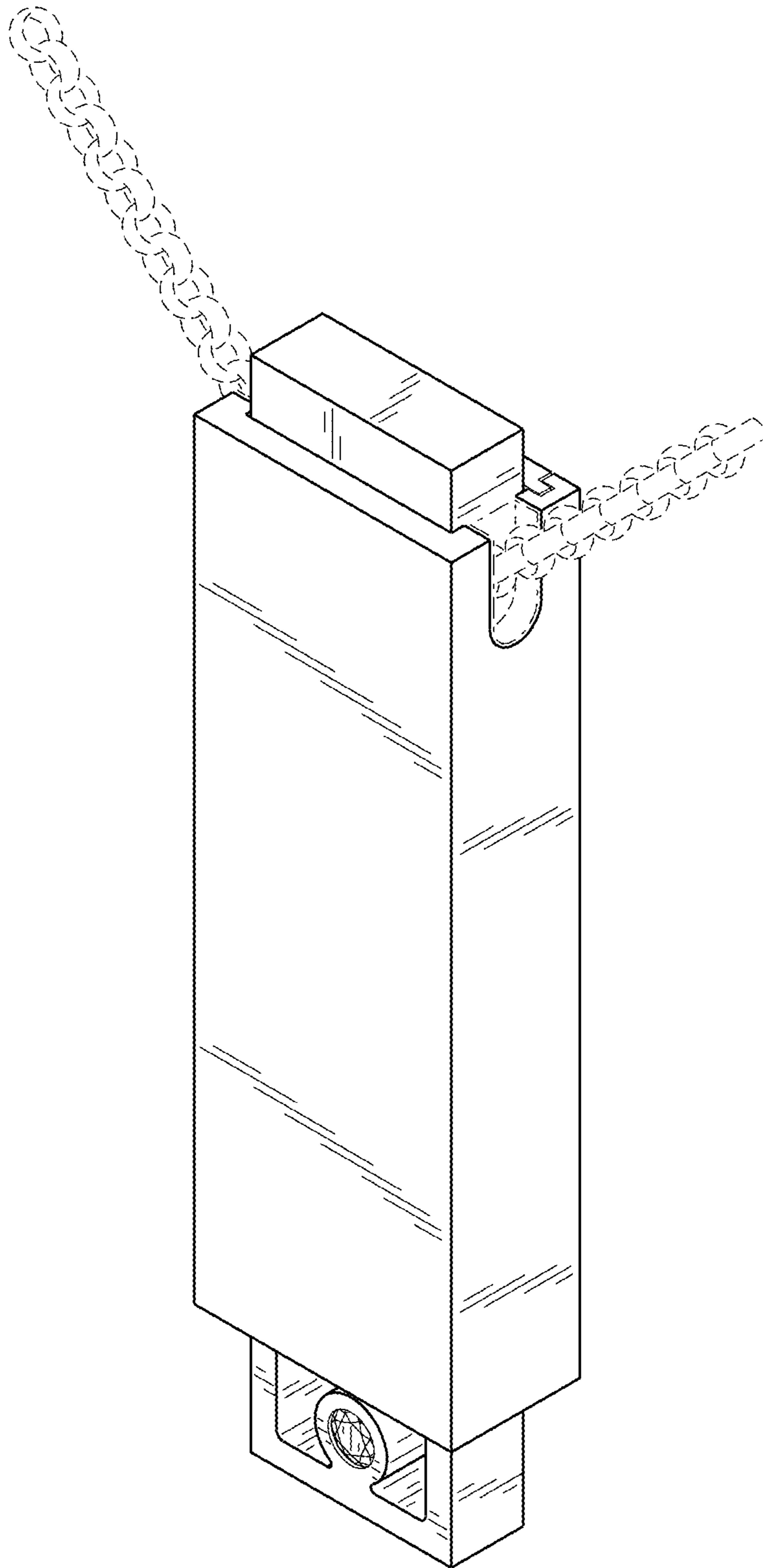


FIG. 8

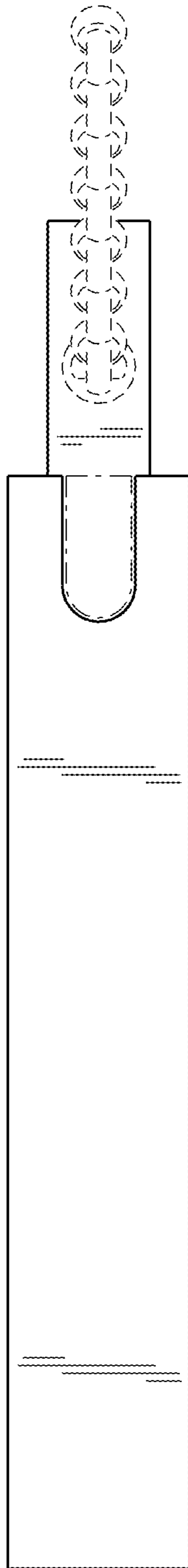


FIG. 9

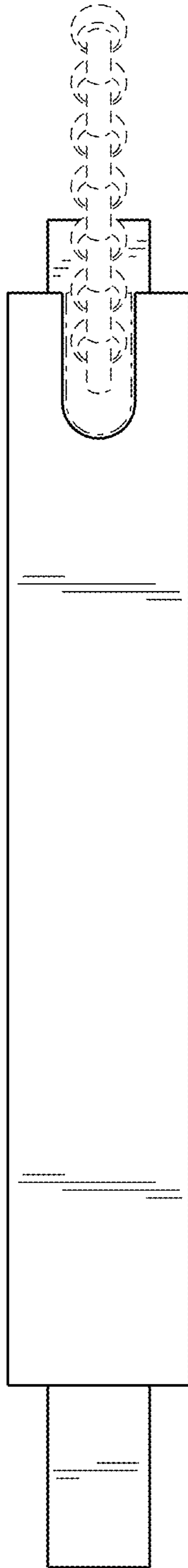


FIG. 10

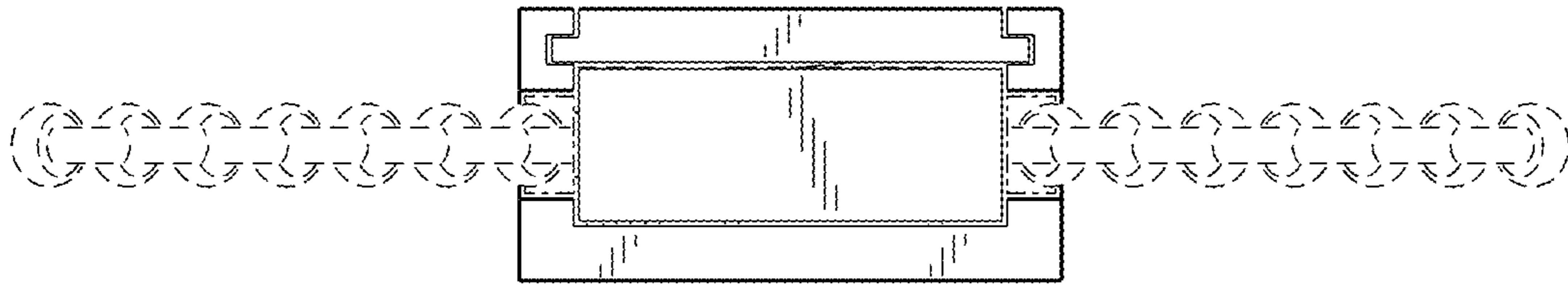


FIG. 11

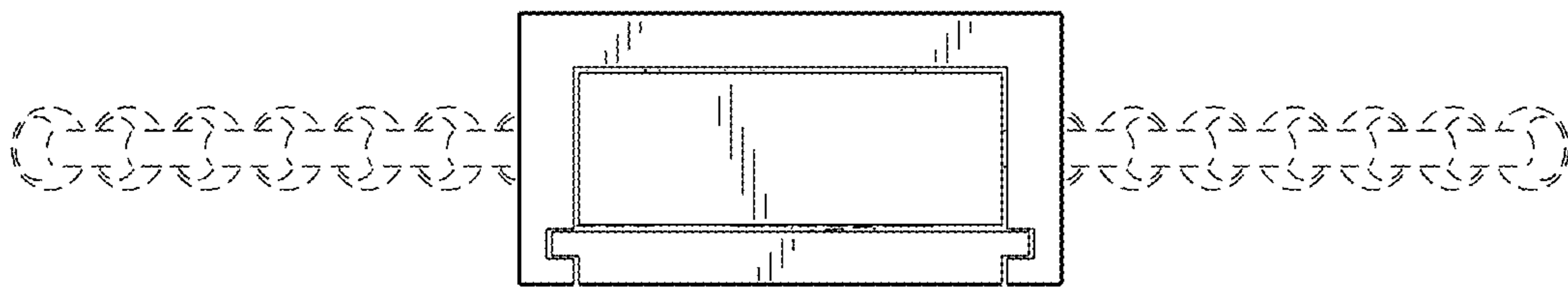


FIG. 12