



US00D872608S

(12) **United States Design Patent**
O’Connell

(10) **Patent No.:** **US D872,608 S**

(45) **Date of Patent:** **** Jan. 14, 2020**

(54) **ARTICLE OF JEWELRY**

(71) Applicant: **Charles & Colvard, Ltd.**, Morrisville, NC (US)

(72) Inventor: **Don O’Connell**, Cary, NC (US)

(73) Assignee: **Charles & Colvard, Ltd.**, Morrisville, NC (US)

(**) Term: **15 Years**

(21) Appl. No.: **29/658,566**

(22) Filed: **Aug. 1, 2018**

D107,313 S *	12/1937	Fischer	D11/92
D245,590 S *	8/1977	Laidlaw	D11/36
D445,058 S *	7/2001	Kaplan	D11/91
D533,104 S *	12/2006	Ho	D11/90
D546,235 S *	7/2007	Sabet	D11/91
D547,688 S *	7/2007	Sabet	D11/34
D560,136 S *	1/2008	Grassi Damiani	D11/34
D580,294 S *	11/2008	Sabet	D11/92
D633,409 S *	3/2011	Grosser-Samuels	D11/34
D686,102 S *	7/2013	Shlakman	D11/26
D726,068 S *	4/2015	Minister	D11/92
D729,103 S *	5/2015	Kwon	D11/7
D729,104 S *	5/2015	Kwon	D11/7
D747,664 S *	1/2016	Yatsugi-Kang	D11/34
D753,530 S *	4/2016	Riviere	D11/34
D760,617 S *	7/2016	Kwon	D11/34

(Continued)

Related U.S. Application Data

(63) Continuation of application No. 29/649,881, filed on Jun. 1, 2018.

(51) **LOC (12) Cl.** **11-01**

(52) **U.S. Cl.**
USPC **D11/1; D11/34**

(58) **Field of Classification Search**
USPC D11/1, 7, 16, 17, 26–29, 34, 35, 40–43,
D11/63, 67, 79, 89–92

CPC A44C 17/00; A44C 17/001; A44C 17/005;
A44C 17/02; A44C 17/0208; A44C
17/0216; A44C 17/0233; A44C 17/0258;
A44C 17/0266; A44C 17/0275; A44C
17/0283; A44C 17/0291; A44C 1/00;
A44C 9/00; A44C 7/00; A44C 7/001;
A44C 15/001; A44C 15/0035

See application file for complete search history.

(56) **References Cited**

U.S. PATENT DOCUMENTS

D37,576 S *	10/1905	Wodiska	D11/92
D50,762 S *	5/1917	Sheff	D11/36
D63,548 S *	12/1923	Anshen	D11/92

Primary Examiner — L. Martinez

(74) *Attorney, Agent, or Firm* — Finnegan, Henderson, Farabow, Garrett & Dunner LLP

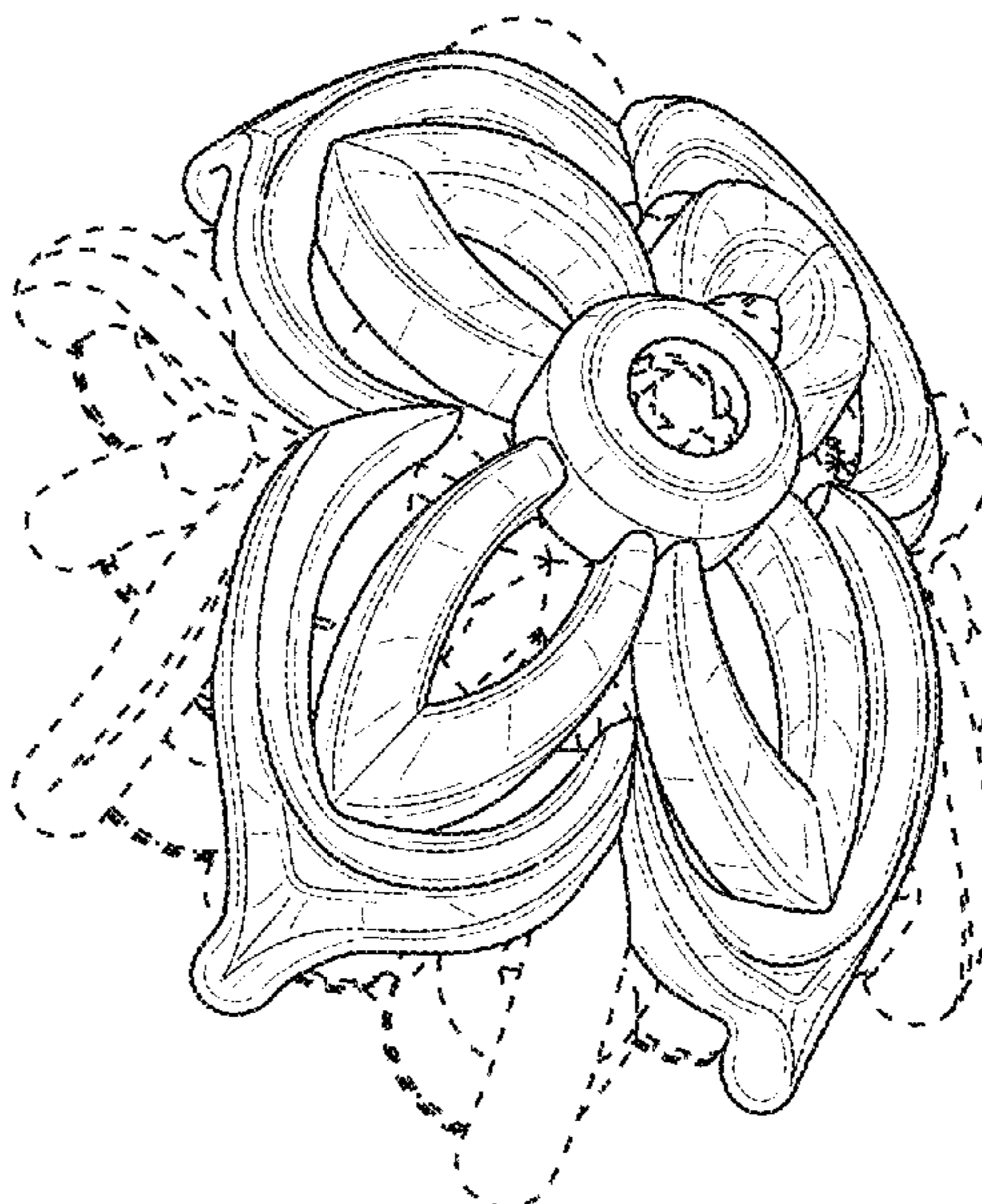
(57) **CLAIM**

The ornamental design for an article of jewelry, as shown and described.

DESCRIPTION

FIG. 1 is a front, bottom perspective view of an article of jewelry, showing my new design;
FIG. 2 is a bottom plan view thereof;
FIG. 3 is a rear, bottom perspective view thereof, showing the article of jewelry in an alternate configuration use;
FIG. 4 is a front elevation view thereof, wherein the rear elevation view is identical thereto;
FIG. 5 is a left side view thereof, wherein the right side view is identical thereto;
FIG. 6 is a top plan view thereof; and,
FIG. 7 is a bottom plan view thereof.
The dash-dash lines in the drawings illustrate portions of the article of jewelry that form no part of the claimed design.

1 Claim, 7 Drawing Sheets



(56)

References Cited

U.S. PATENT DOCUMENTS

D763,115	S *	8/2016	Nisguretsky	D11/34
D763,720	S *	8/2016	Yatsugi-Kang	D11/40
D779,361	S *	2/2017	Yatsugi-Kang	D11/7
D780,022	S *	2/2017	Yatsugi-Kang	D11/34
D828,211	S *	9/2018	Galli	D11/34
D847,690	S *	5/2019	Ho	D11/92
D847,691	S *	5/2019	Ho	D11/92
2003/0221453	A1 *	12/2003	Turpanjian	A44C 17/02 63/27
2013/0327089	A1 *	12/2013	Bernon	A44C 17/02 63/27
2018/0008020	A1 *	1/2018	Dholakiya	A44C 9/00

* cited by examiner

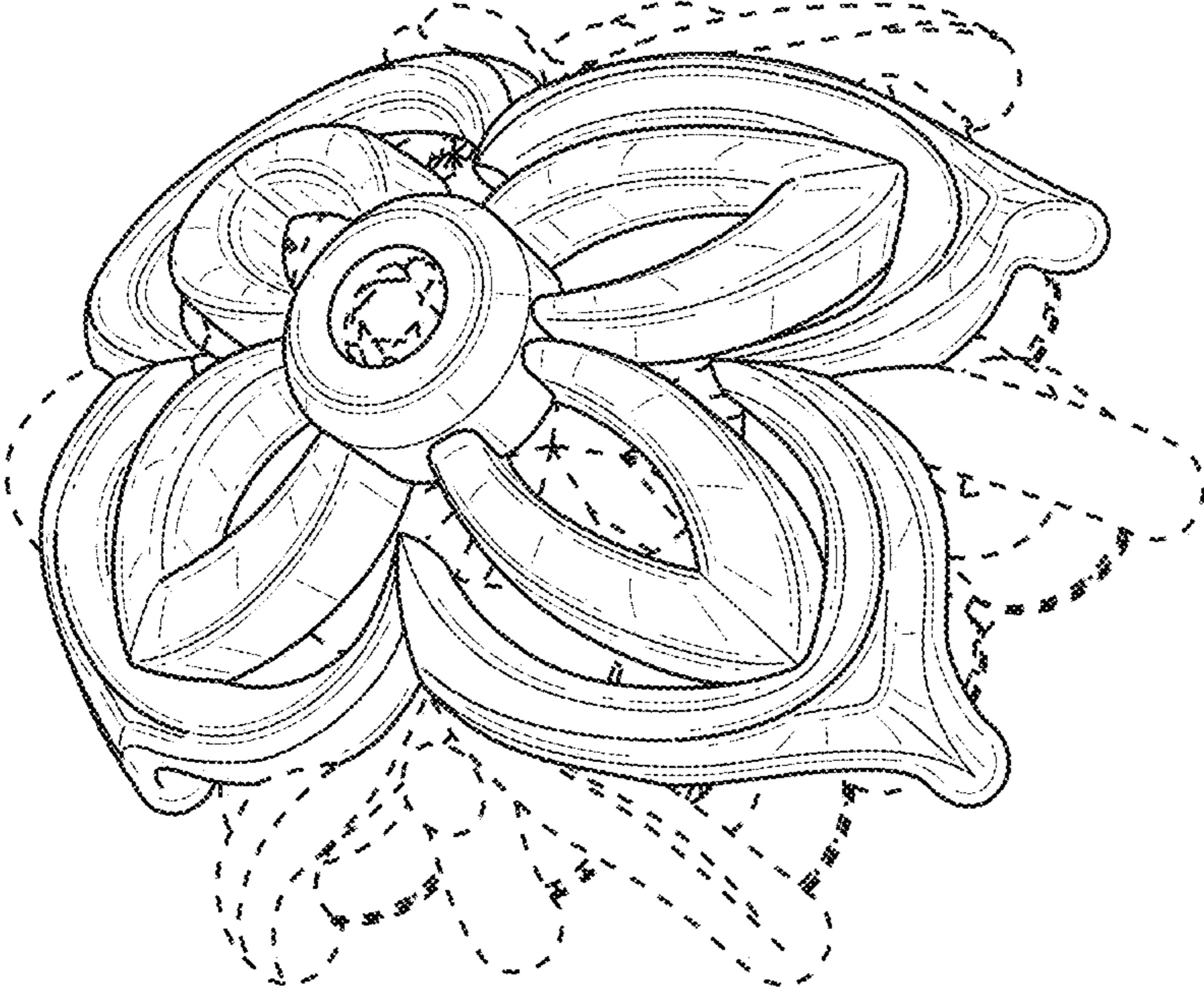


FIG. 1

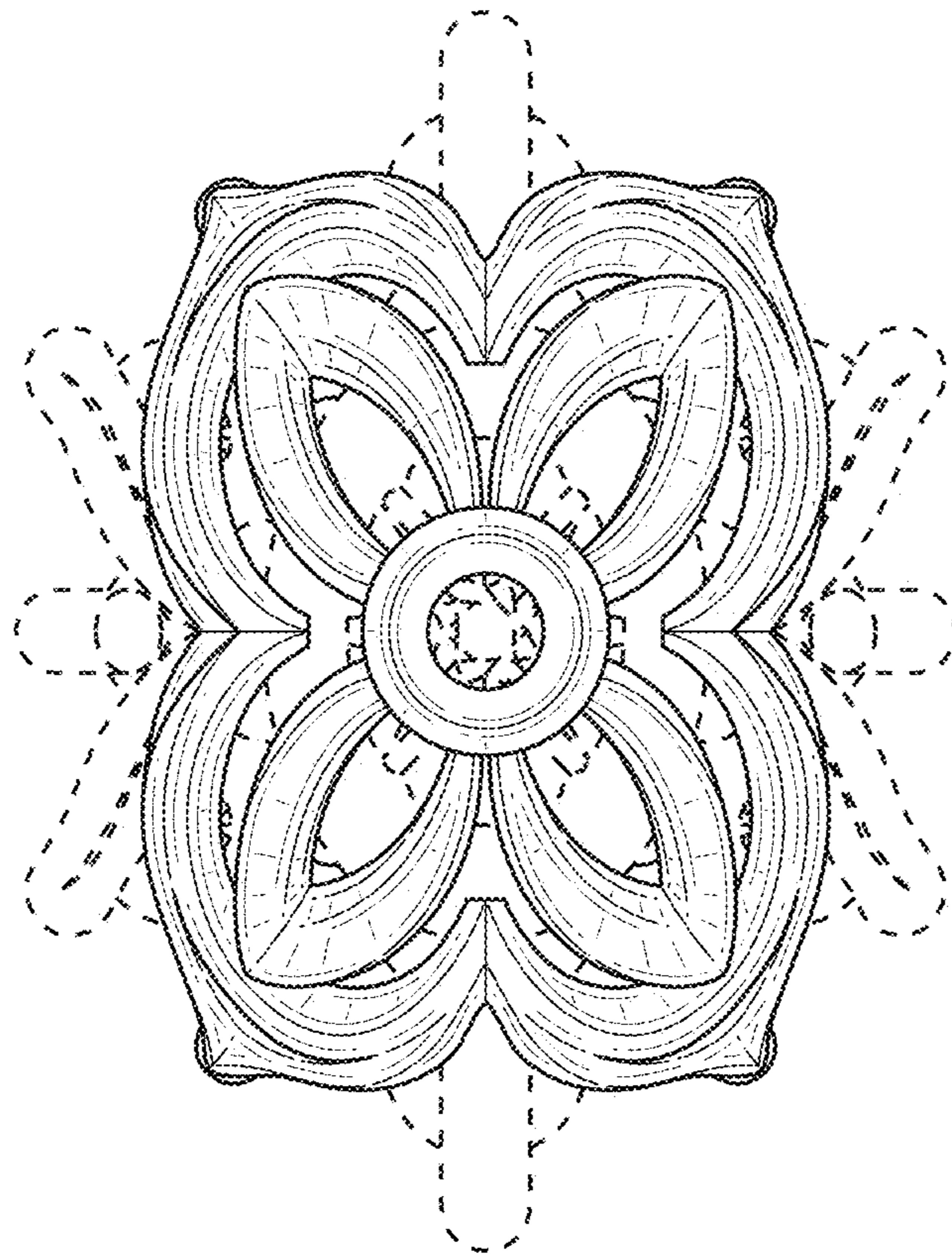


FIG. 2

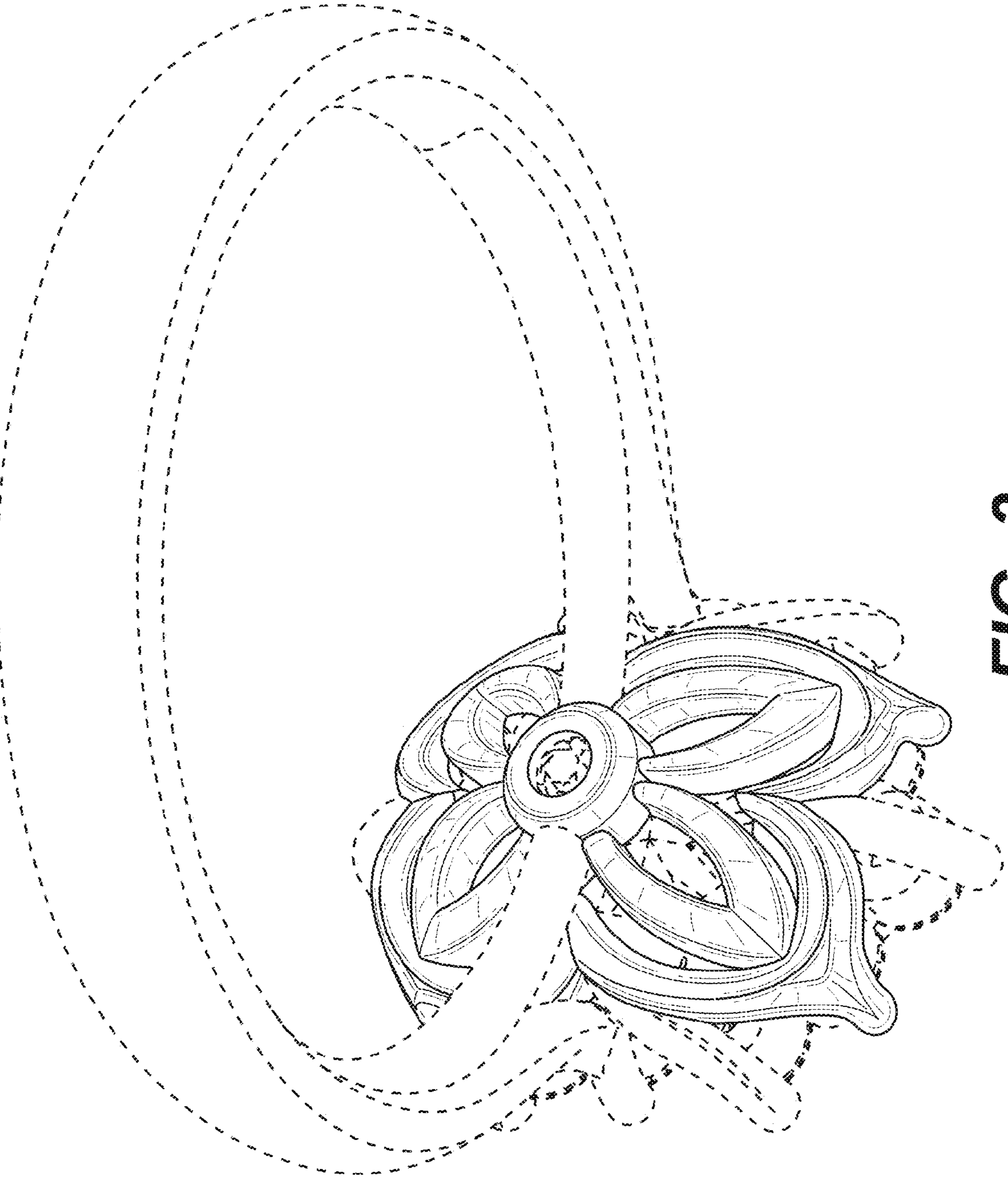


FIG. 3

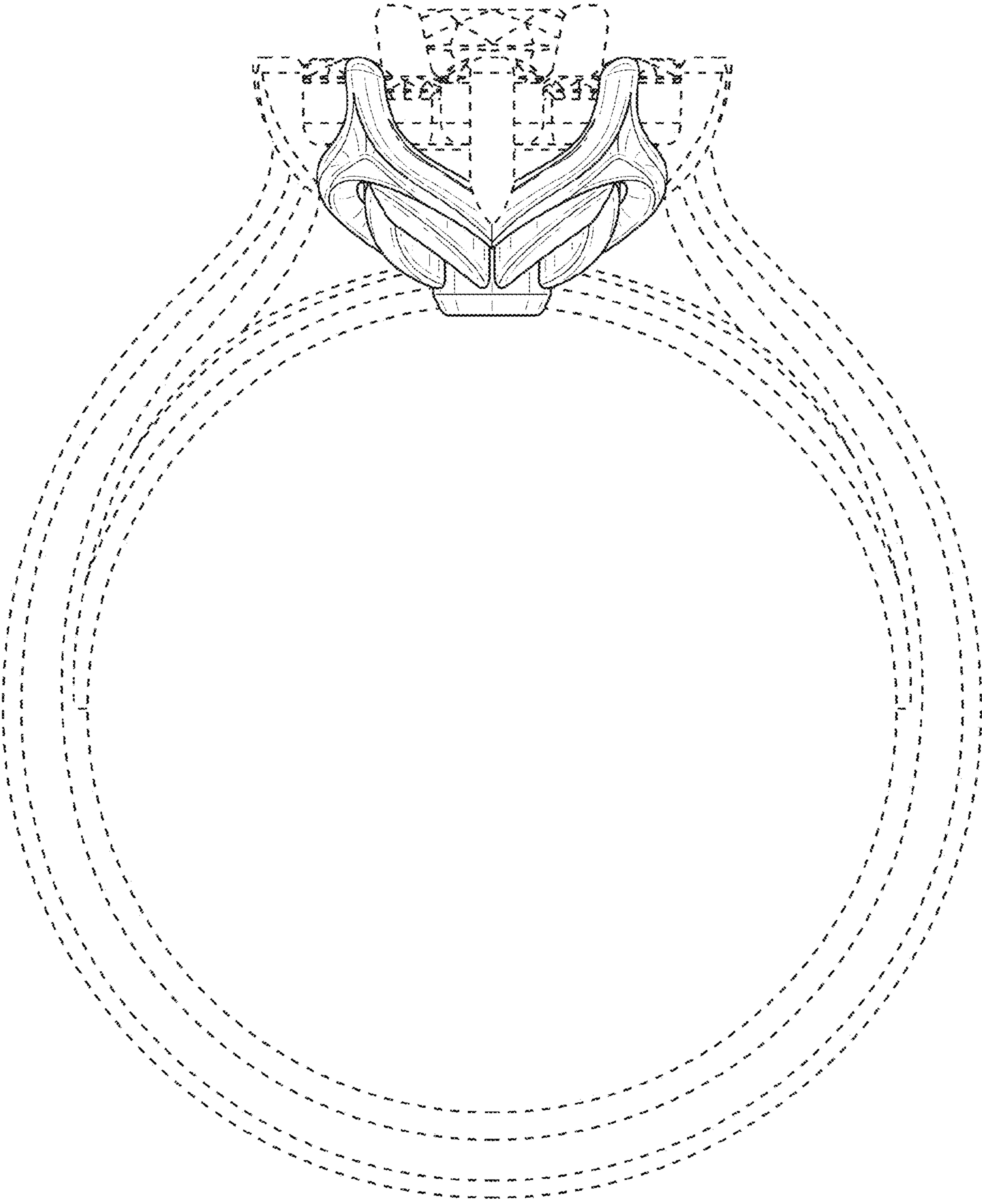


FIG. 4

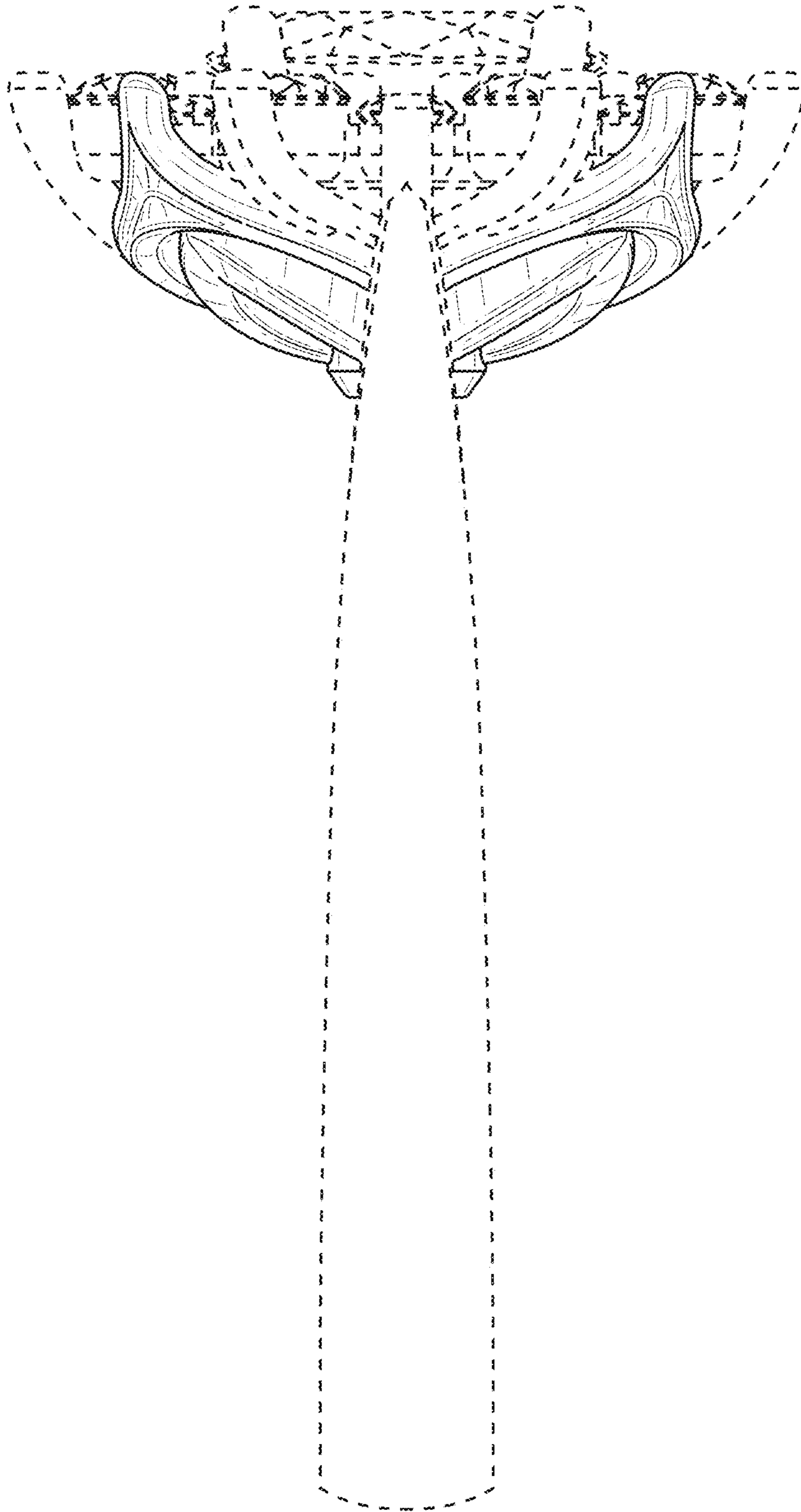


FIG. 5

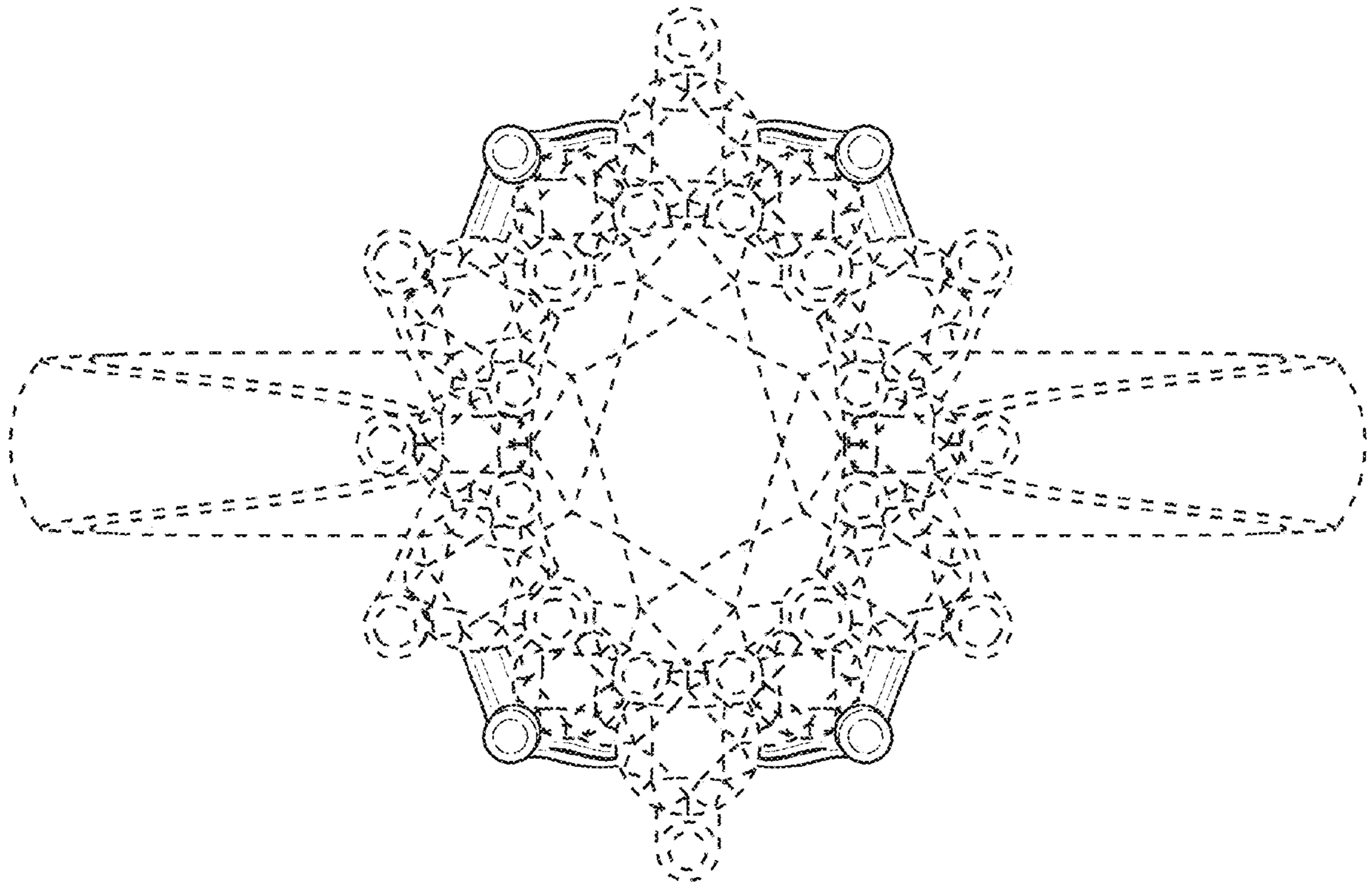


FIG. 6

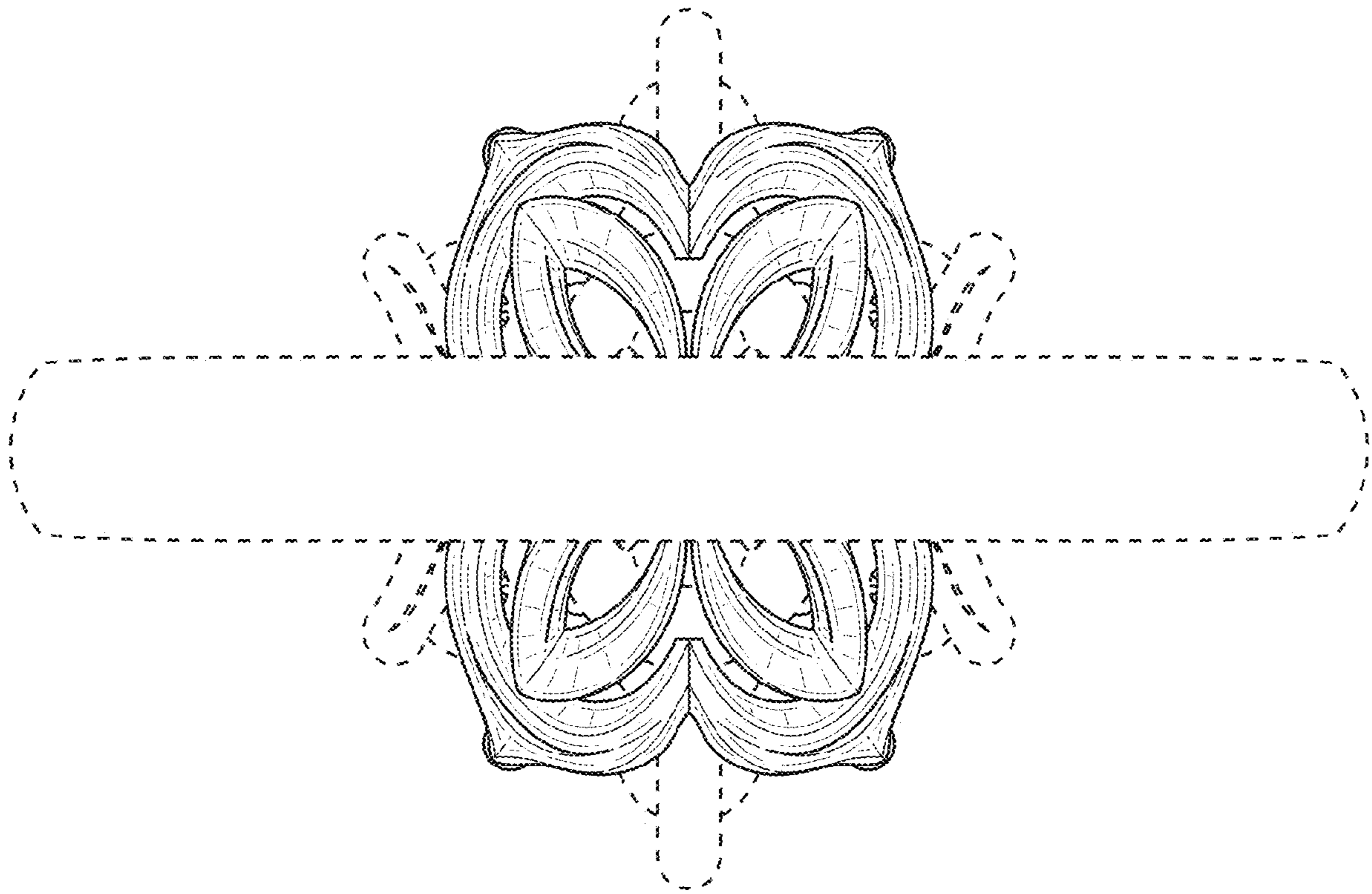


FIG. 7