



US00D872606S

(12) **United States Design Patent**  
**Green et al.**

(10) **Patent No.:** **US D872,606 S**  
(45) **Date of Patent:** **\*\* Jan. 14, 2020**

(54) **INTERCHANGEABLE JEWELRY KEY**

(71) Applicant: **Style Dots LLC**, Rockford, MI (US)

(72) Inventors: **Karen L. Green**, West Sacramento, CA (US); **Gina M Smith**, Nixa, MO (US)

(73) Assignee: **Style Dots LLC**, Rockford, MI (US)

(\*\*) Term: **15 Years**

(21) Appl. No.: **29/628,535**

(22) Filed: **Dec. 5, 2017**

(51) **LOC (12) Cl.** ..... **11-01**

(52) **U.S. Cl.**  
USPC ..... **D11/1**

(58) **Field of Classification Search**

USPC ..... D11/1-29, 34, 36-39, 40-43, 76-79, 86;  
D28/41; D3/207, 208; D8/17, 347  
CPC ..... A44C 5/00; A44C 5/0007; A44C 5/0023;  
A44C 5/003; A44C 5/0038; A44C  
5/0046; A44C 5/0053; A44C 5/0061;  
A44C 5/0069; A44C 5/0076; A44C  
5/0084; A44C 5/0092; A44C 5/02; A44C  
5/022; A44C 5/025; A44C 5/027; A44C  
5/04; A44C 5/08; A44C 5/12; A44C 1/00;  
A44C 15/001; A44C 15/003; A44C  
15/0035; A44C 15/0045; A44C 15/005;  
A44C 15/0055; A44C 15/006; A44C  
9/00; A44C 9/0038; A44C 9/0046; A44C  
9/0053; A44C 9/0061; A44C 9/0069;  
A44C 9/02; A44C 25/00; A44C 25/001;  
A44C 25/007; A44C 7/002

See application file for complete search history.

(56) **References Cited**

**U.S. PATENT DOCUMENTS**

1,448,465 A \* 3/1923 Sherman ..... A44C 11/002  
63/3  
D123,719 S \* 11/1940 Ungar ..... D11/12

D174,242 S \* 3/1955 White et al. .... 63/3.1  
D326,827 S \* 6/1992 Peterson ..... D11/43  
5,794,459 A \* 8/1998 Ignatowski ..... A44C 15/003  
63/38  
6,544,164 B1 \* 4/2003 Fan ..... A44C 5/0023  
63/12  
D511,473 S \* 11/2005 Weinacht ..... D11/11  
D551,585 S \* 9/2007 Wooley ..... D11/11  
D657,281 S \* 4/2012 Psaute ..... D11/11  
D713,755 S \* 9/2014 Thompson ..... D11/43  
D714,181 S \* 9/2014 Thompson ..... D11/43  
D810,608 S \* 2/2018 Heller ..... D11/79  
D810,609 S \* 2/2018 Heller ..... D11/79

(Continued)

*Primary Examiner* — L. Martinez

(74) *Attorney, Agent, or Firm* — Workman Nydegger

(57) **CLAIM**

The ornamental design for an interchangeable jewelry key, as shown and described.

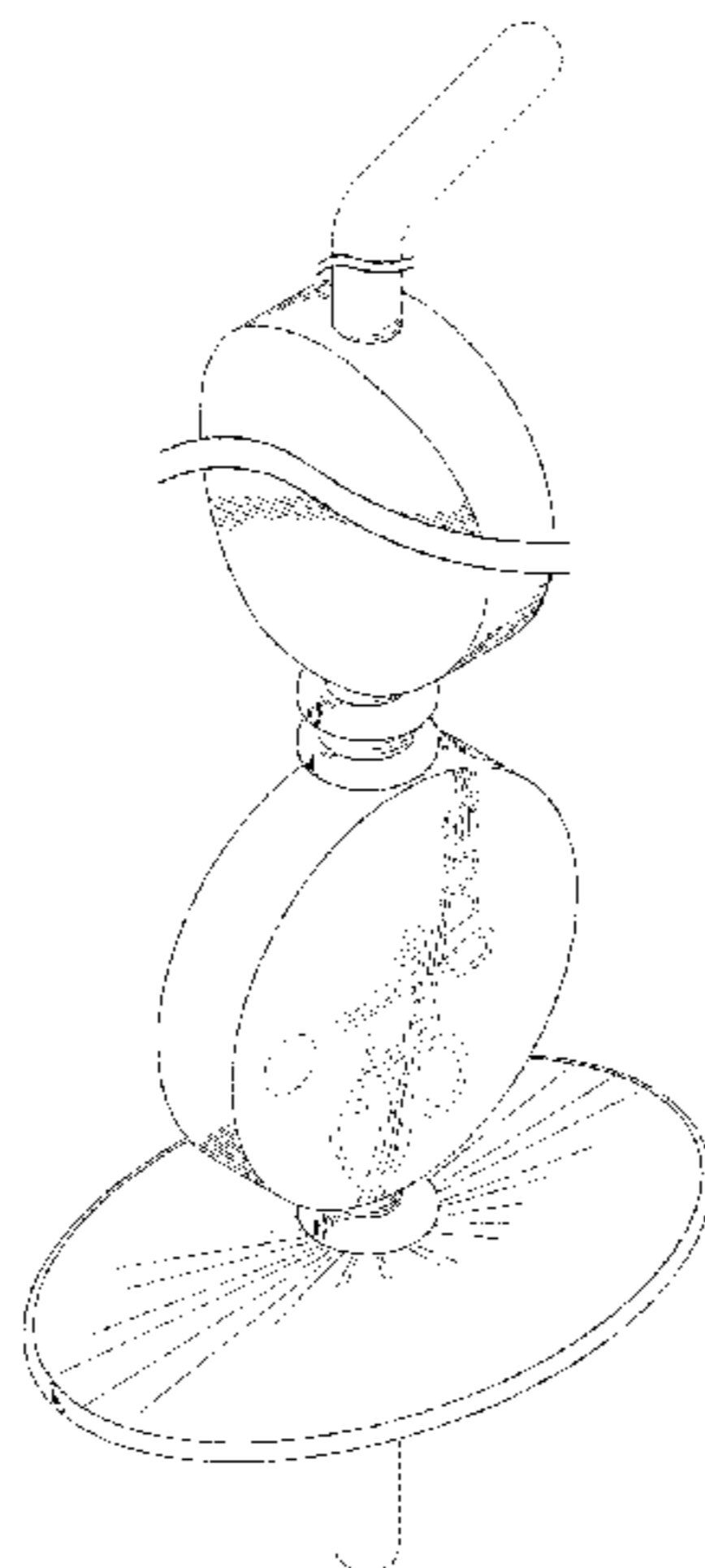
**DESCRIPTION**

FIG. 1 is a top, left perspective view of an interchangeable jewelry key;  
FIG. 2 is a right elevation view thereof;  
FIG. 3 is a left elevation view thereof;  
FIG. 4 is a bottom elevation view thereof;  
FIG. 5 is a top elevational view thereof;  
FIG. 6 is a front elevational view thereof; and,  
FIG. 7 is a rear elevational view thereof.

The broken lines in the drawings represent portions of the interchangeable jewelry key that form no part of the claimed design. The other broken lines showing text indicia merely represent environmental subject matter and form no part of the claimed design.

The interchangeable jewelry key is shown with a symbolic break in its length. The appearance of any portion of the interchangeable jewelry key between the break lines forms no part of the claimed design.

**1 Claim, 3 Drawing Sheets**



(56)

**References Cited**

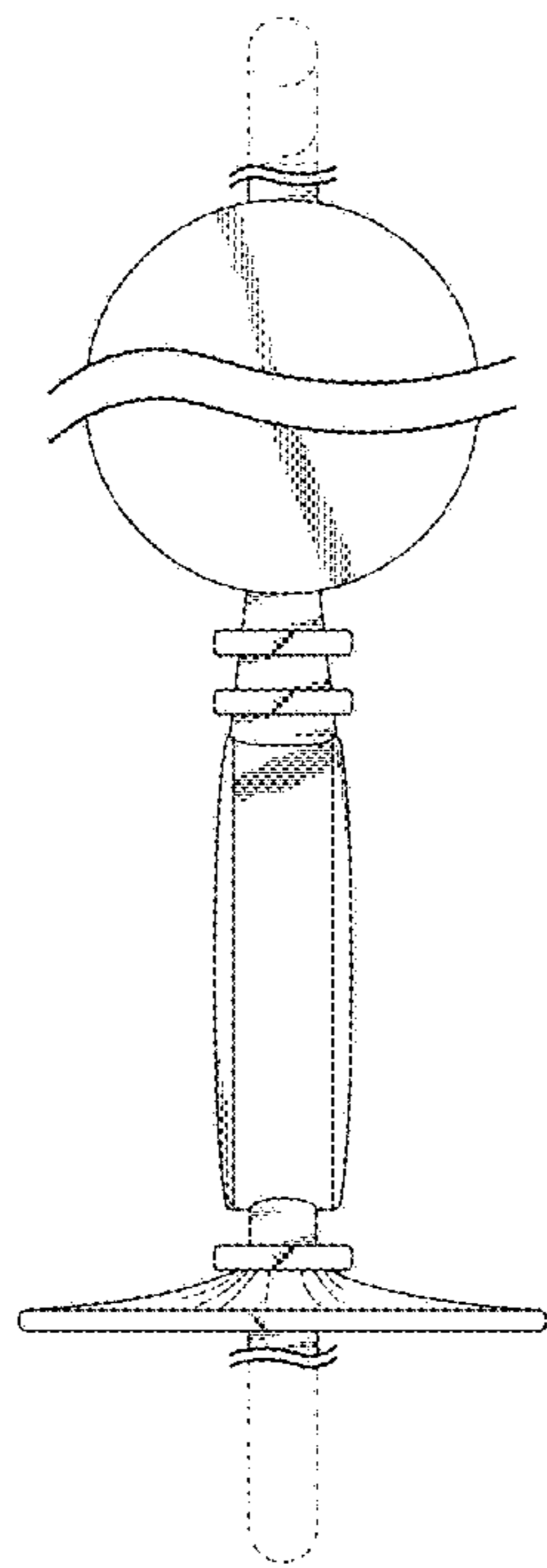
U.S. PATENT DOCUMENTS

2004/0200236 A1\* 10/2004 Emberson ..... A44C 15/00  
63/23  
2005/0148809 A1\* 7/2005 Delaney ..... A44C 5/0023  
63/3  
2006/0144083 A1\* 7/2006 Layton ..... A44C 5/0007  
63/3.1  
2015/0020543 A1\* 1/2015 Kaupp ..... A44C 5/00  
63/12  
2015/0359301 A1\* 12/2015 Lavorato ..... A44C 5/20  
63/3.1

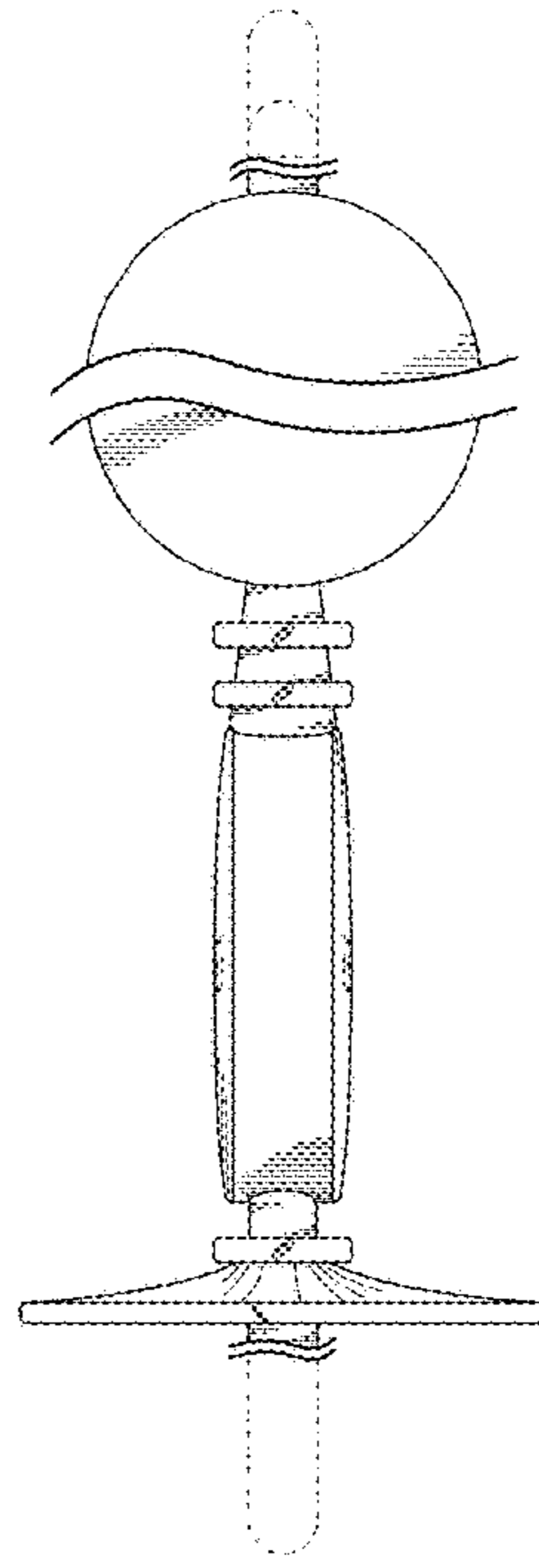
\* cited by examiner



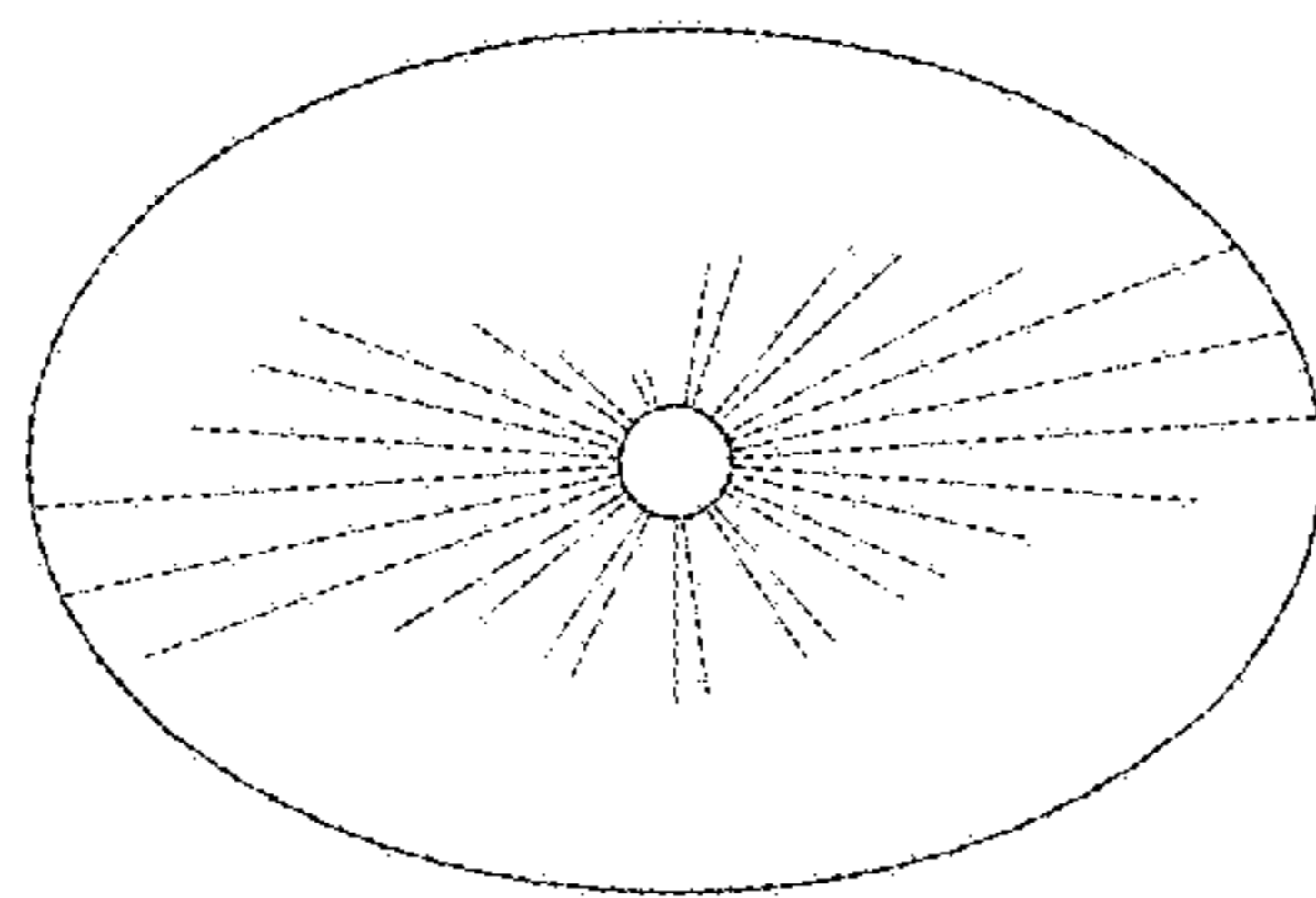
FIG. 1



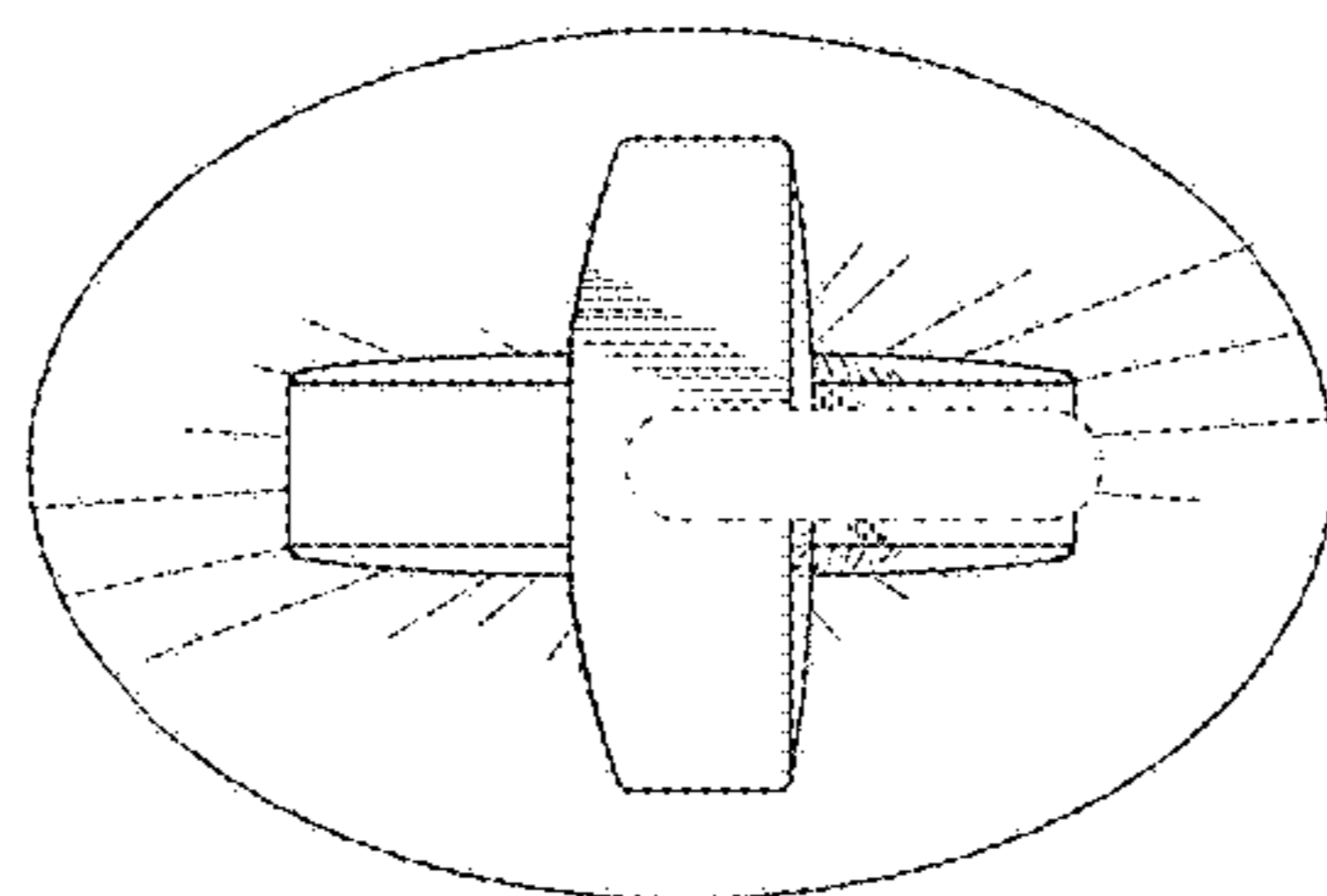
**FIG. 2**



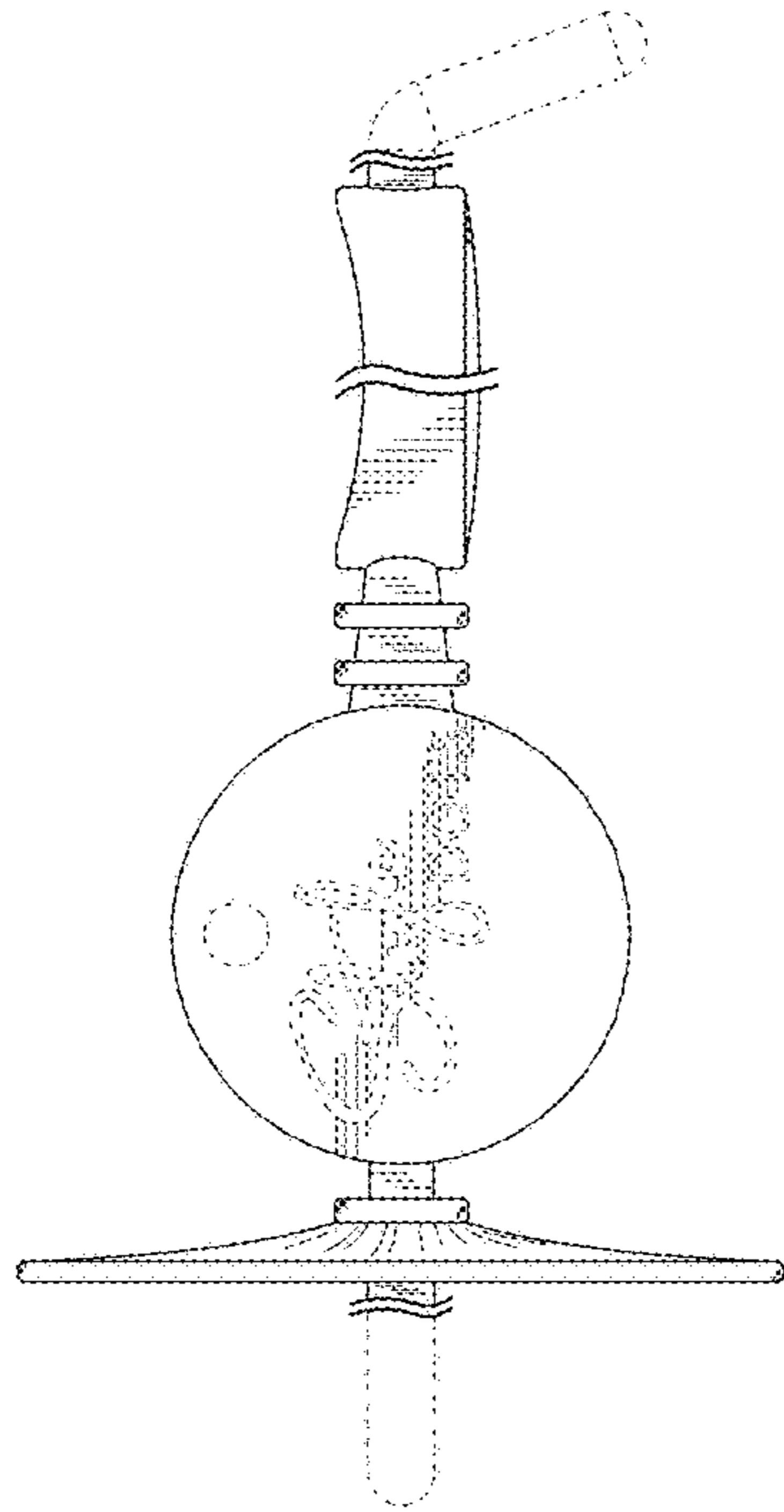
**FIG. 3**



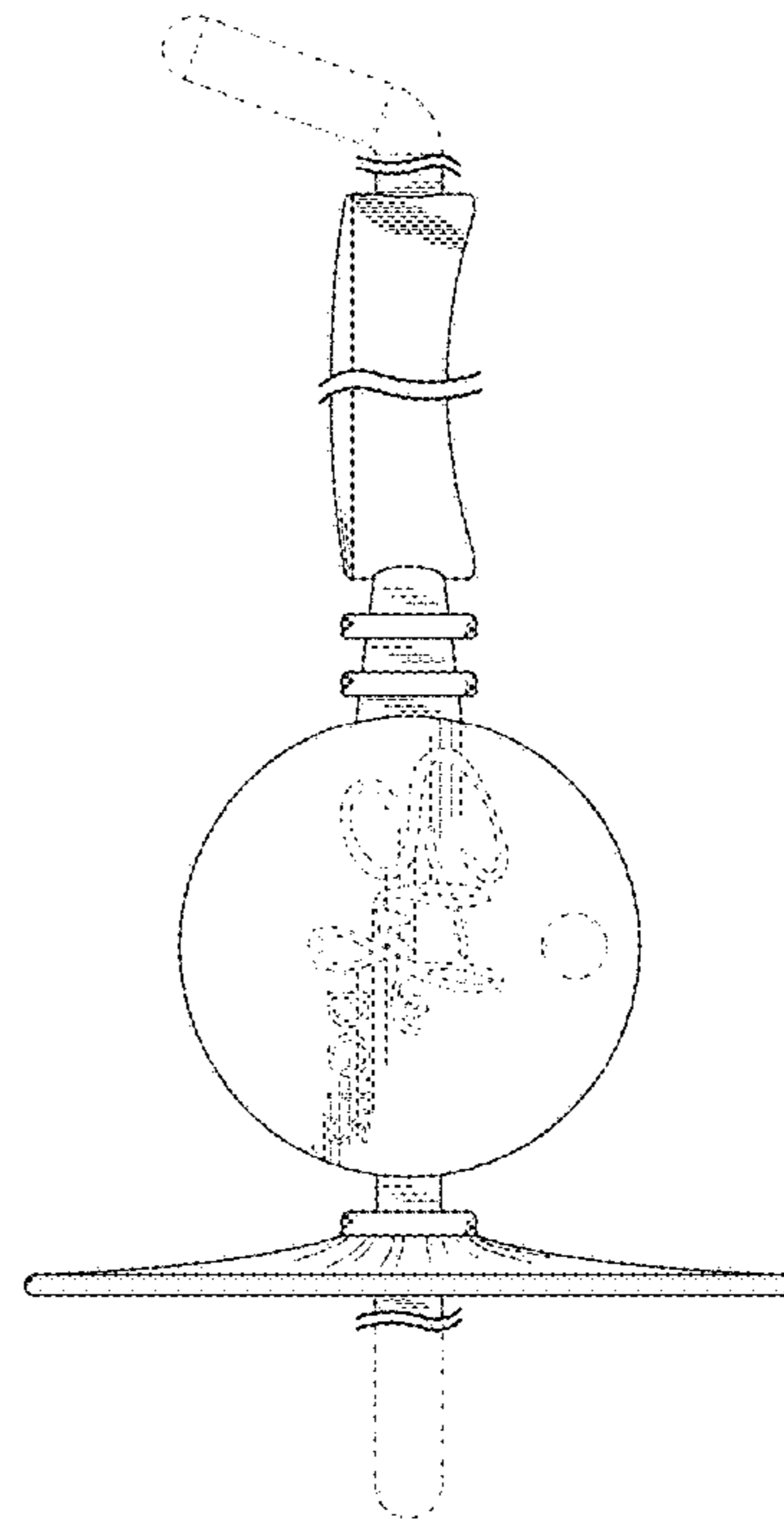
**FIG. 4**



**FIG. 5**



**FIG. 6**



**FIG. 7**