



US00D872603S

(12) **United States Design Patent**  
**Fushida**

(10) **Patent No.:** **US D872,603 S**  
(45) **Date of Patent:** **\*\* Jan. 14, 2020**

(54) **ANALYSIS DEVICE**

35/00-35/1097; G01N  
2035/00019-2035/1093; G01N  
2204/022-2204/0228

(71) Applicant: **Satake Corporation**, Tokyo (JP)

See application file for complete search history.

(72) Inventor: **Shinya Fushida**, Tokyo (JP)

(56) **References Cited**

(73) Assignee: **Satake Corporation**, Tokyo (JP)

U.S. PATENT DOCUMENTS

(\*\*) Term: **15 Years**

D584,975 S *	1/2009	Haberstroh	.....	D10/81
D597,216 S *	7/2009	McGuigan	.....	D24/216
D644,544 S *	9/2011	Yukikado	.....	D10/81
D759,265 S *	6/2016	Koop	.....	D24/220
D798,466 S *	9/2017	Koop	.....	D24/220
D822,222 S *	7/2018	Smith	.....	D24/216

(21) Appl. No.: **29/663,658**

(22) Filed: **Sep. 18, 2018**

\* cited by examiner

(30) **Foreign Application Priority Data**

Mar. 22, 2018 (JP) ..... 2018-006015

*Primary Examiner* — Antoine Duval Davis

(51) **LOC (12) Cl.** ..... **10-04**

(74) *Attorney, Agent, or Firm* — Blank Rome LLP

(52) **U.S. Cl.**  
USPC ..... **D10/81; D24/216**

(57) **CLAIM**

The ornamental design for an analysis device, as shown and described.

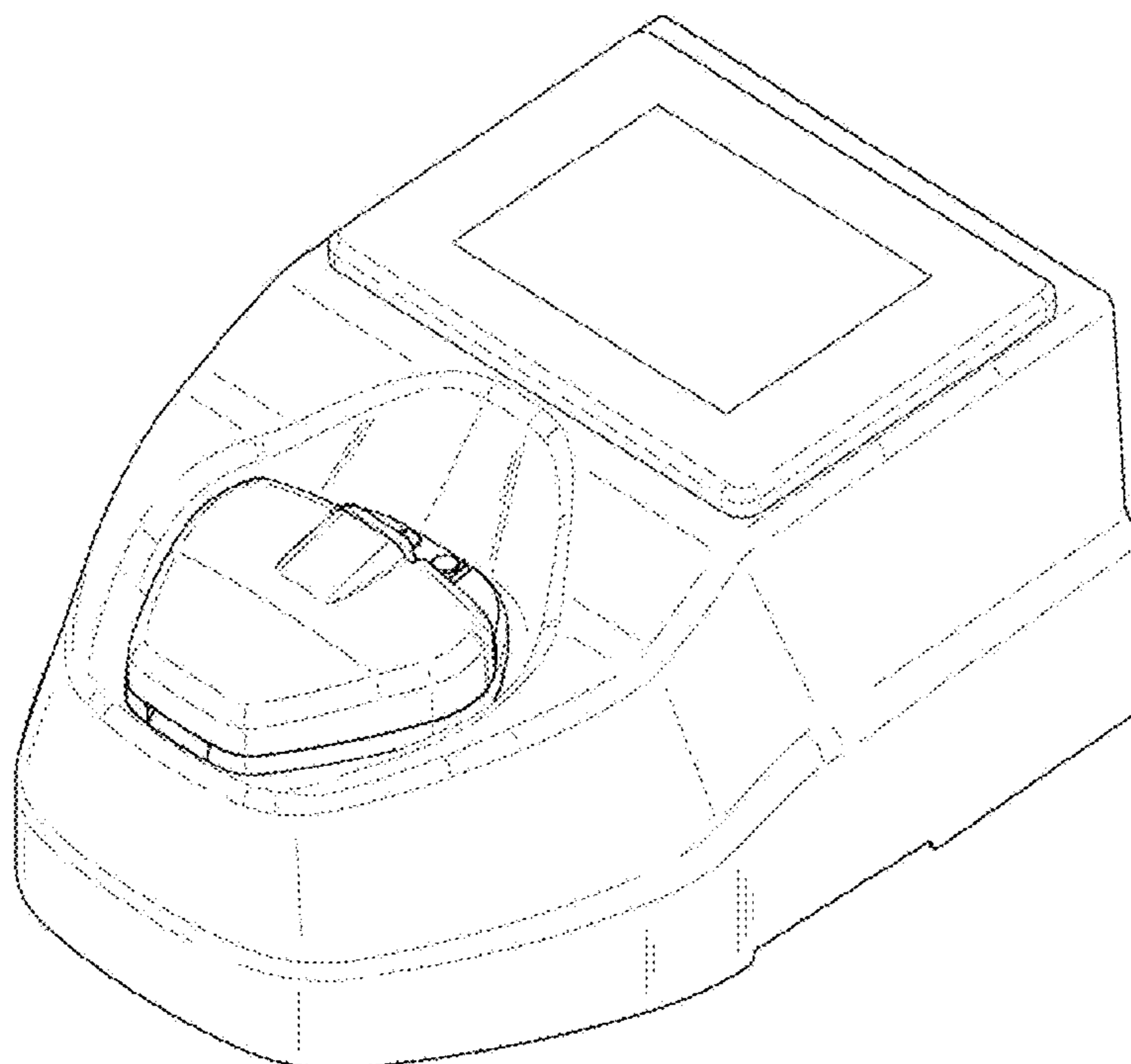
(58) **Field of Classification Search**  
USPC ..... D10/81; D24/216, 219, 220, 222, 223

**DESCRIPTION**

CPC .. G01N 35/08; G01N 35/085; G01N 35/1065;  
G01N 35/1067; G01N 2035/1069; G01N  
35/1072; G01N 35/1074; G01N  
2035/1076; G01N 35/1095; G01N  
2035/00306; G01N 2035/00326; G01N  
21/00; G01N 21/01; G01N 2201/022;  
G01N 2201/0221; G01N 2201/0222;  
G01N 2201/0224; G01N 2201/0225;  
G01N 2201/0227; G01N 2201/0228;  
G01N 2201/024; G01N 2201/0245; G01N  
2021/0112-21/958; G01N  
2021/0106-2021/9586; G01N

FIG. 1 is a front, right perspective view of an analysis device of the present design;  
FIG. 2 is a front, left perspective view thereof;  
FIG. 3 is a front view thereof;  
FIG. 4 is a rear view thereof;  
FIG. 5 is a top view thereof;  
FIG. 6 is a bottom view thereof;  
FIG. 7 is a right side view thereof, the left side view being a mirror image thereof; and,  
FIG. 8 is a front, right perspective view thereof with a lid of the analysis device shown in an open configuration.

**1 Claim, 8 Drawing Sheets**



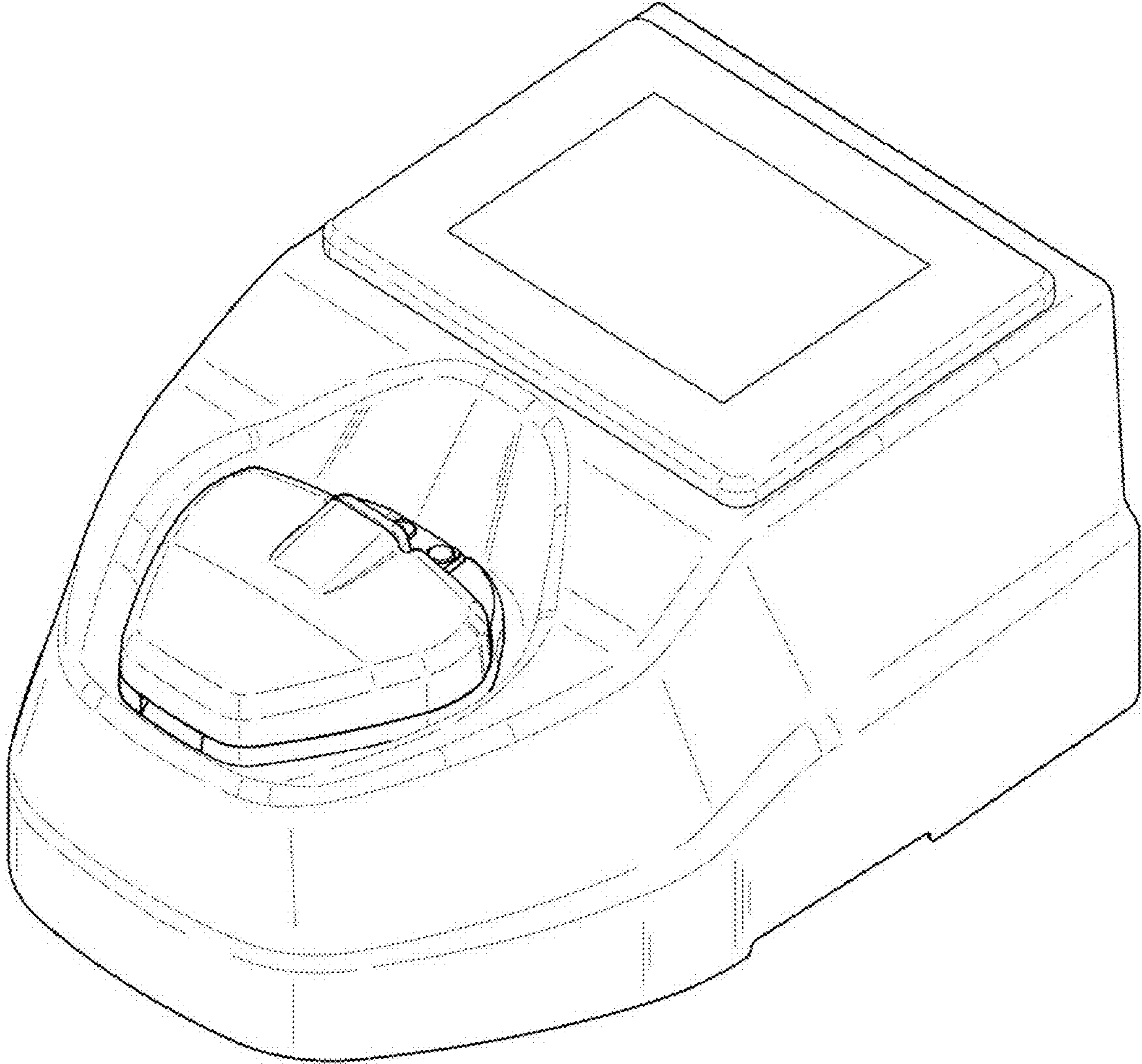


Fig. 1

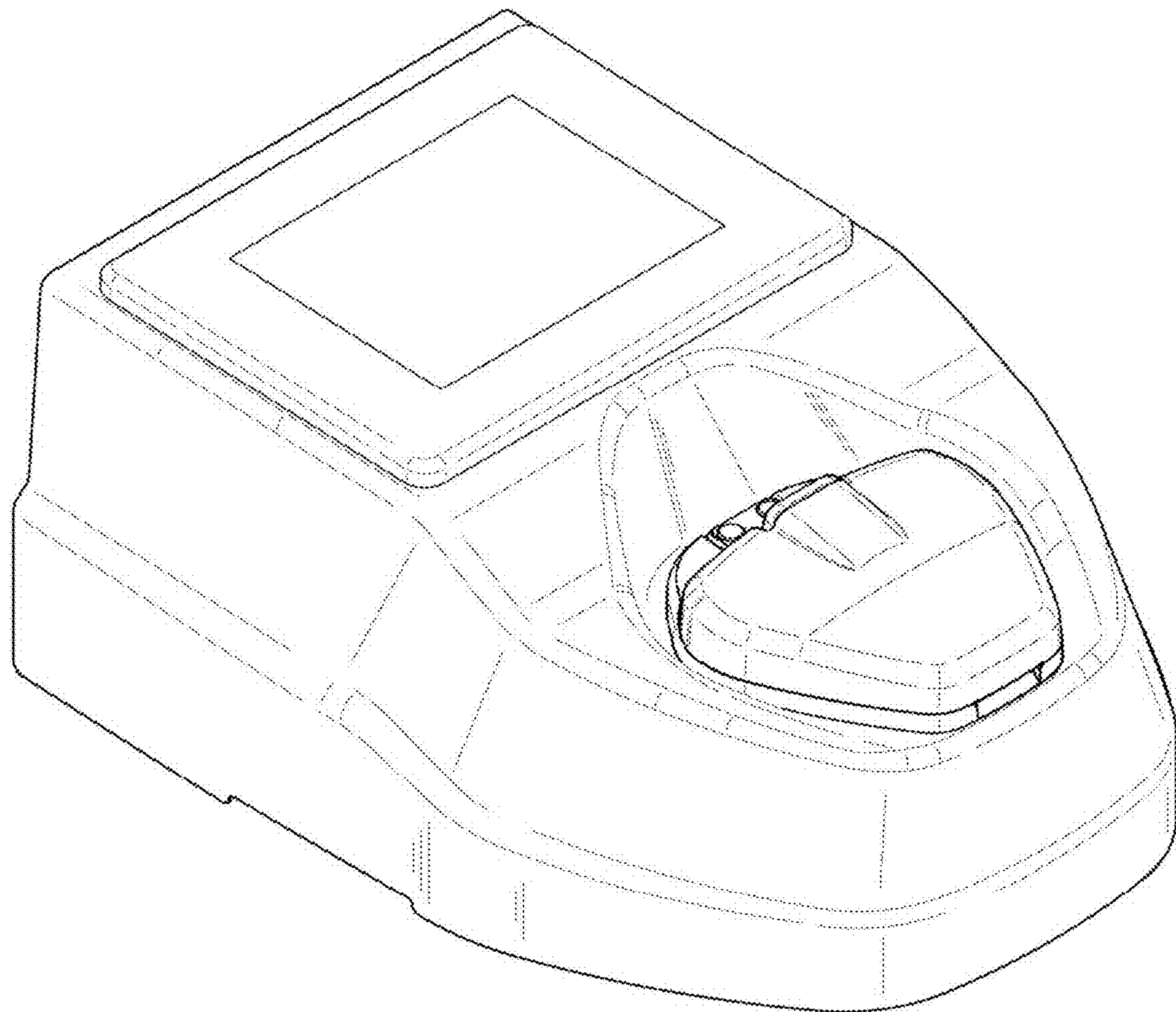


Fig. 2

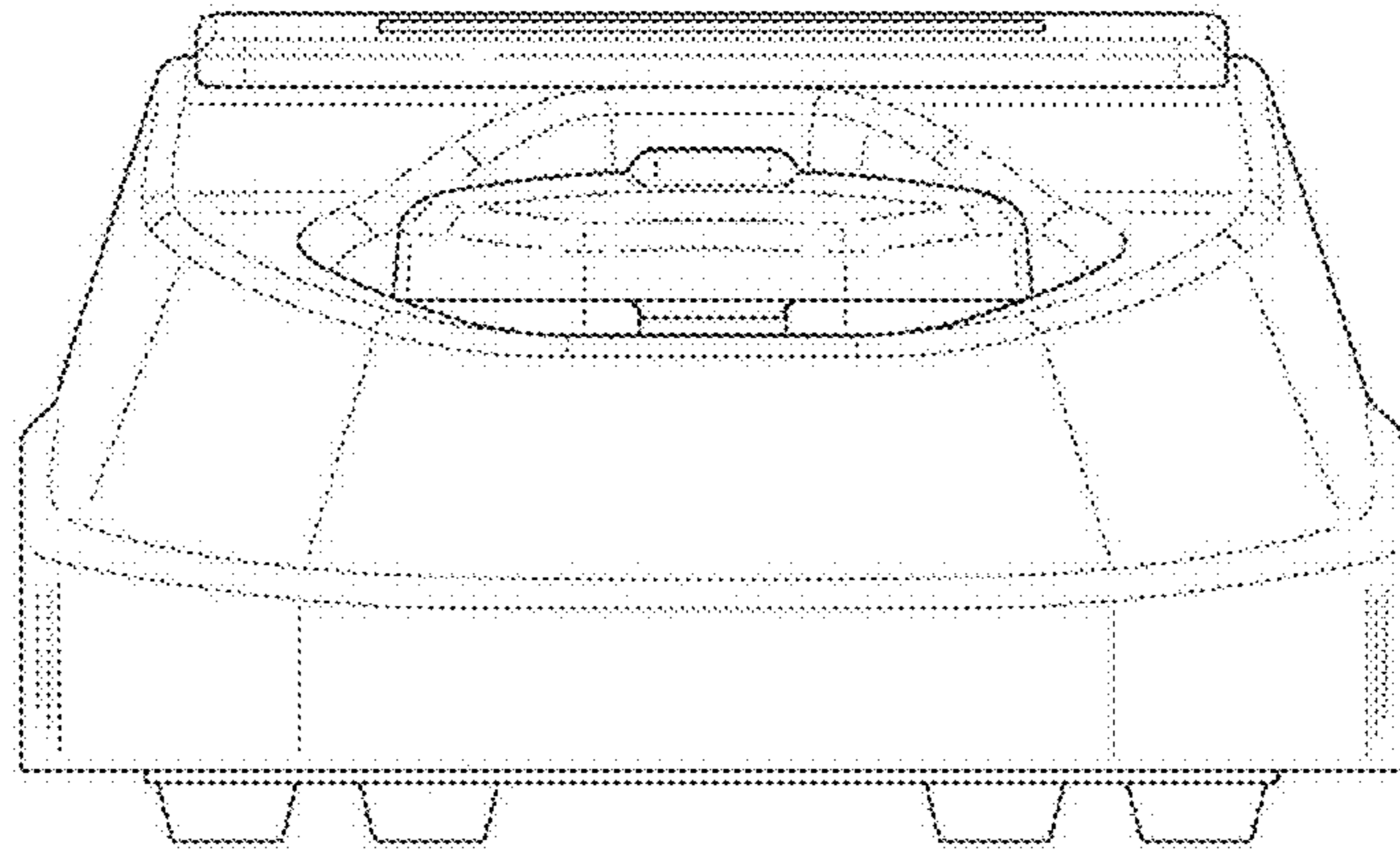


Fig. 3

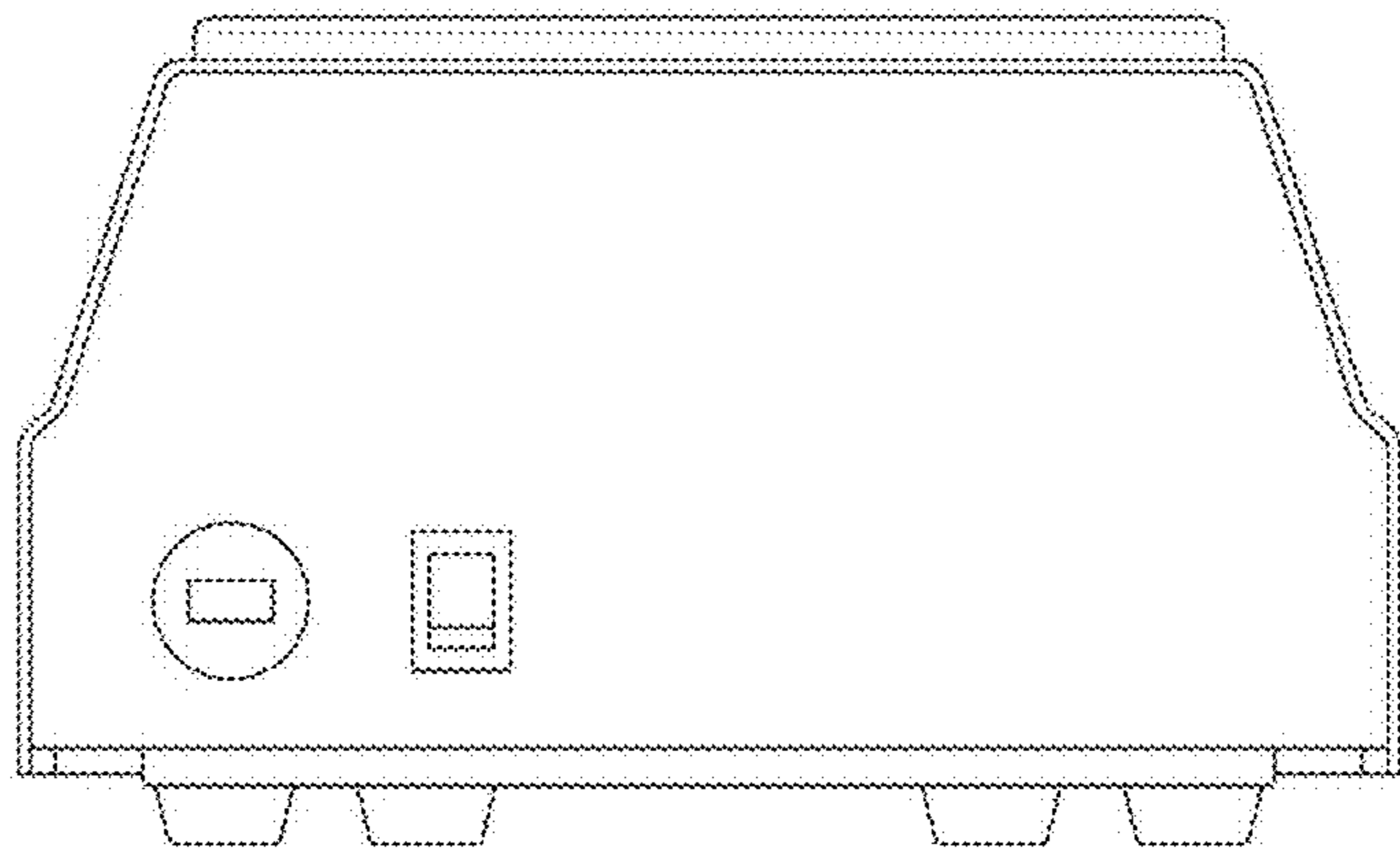


Fig. 4

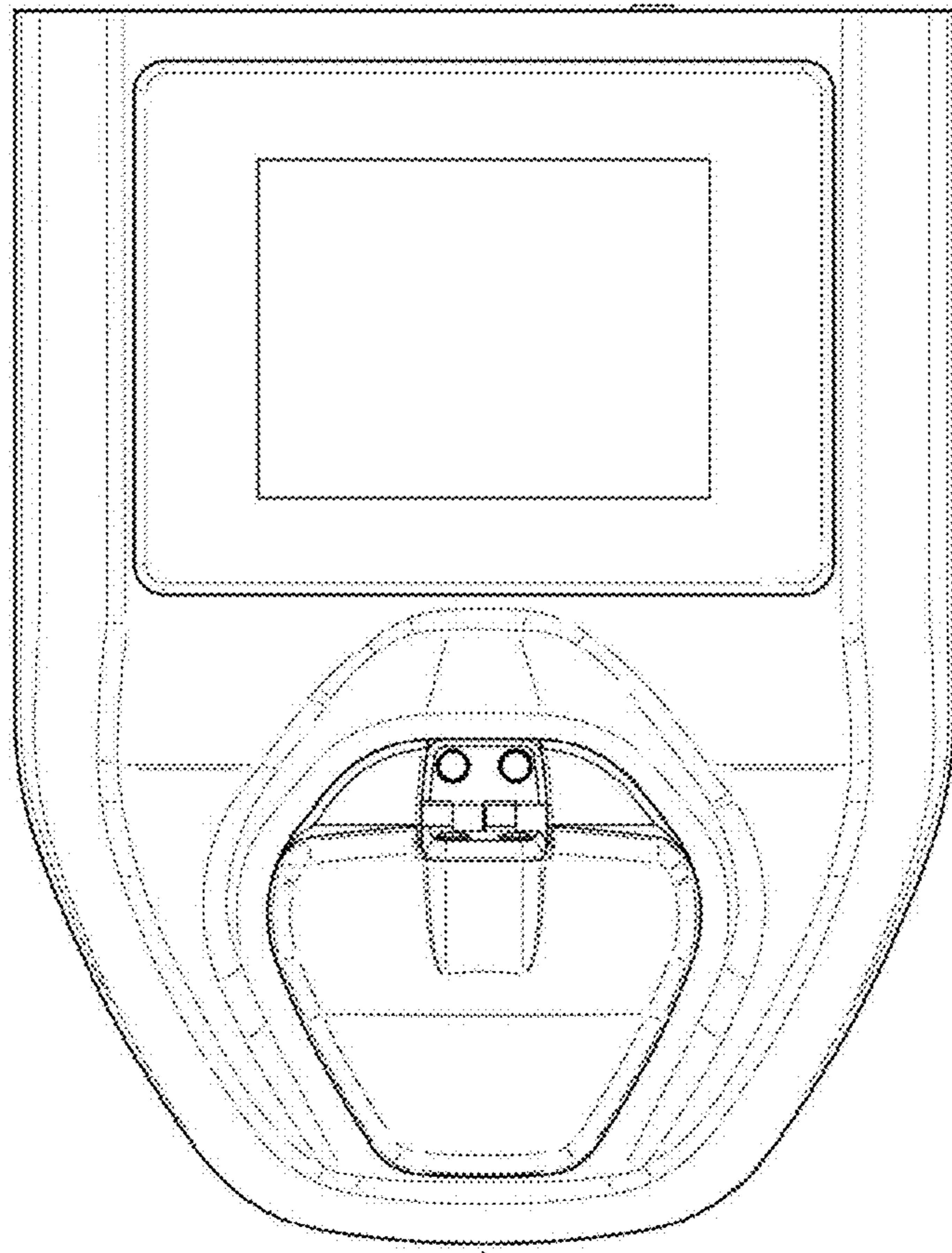


Fig. 5

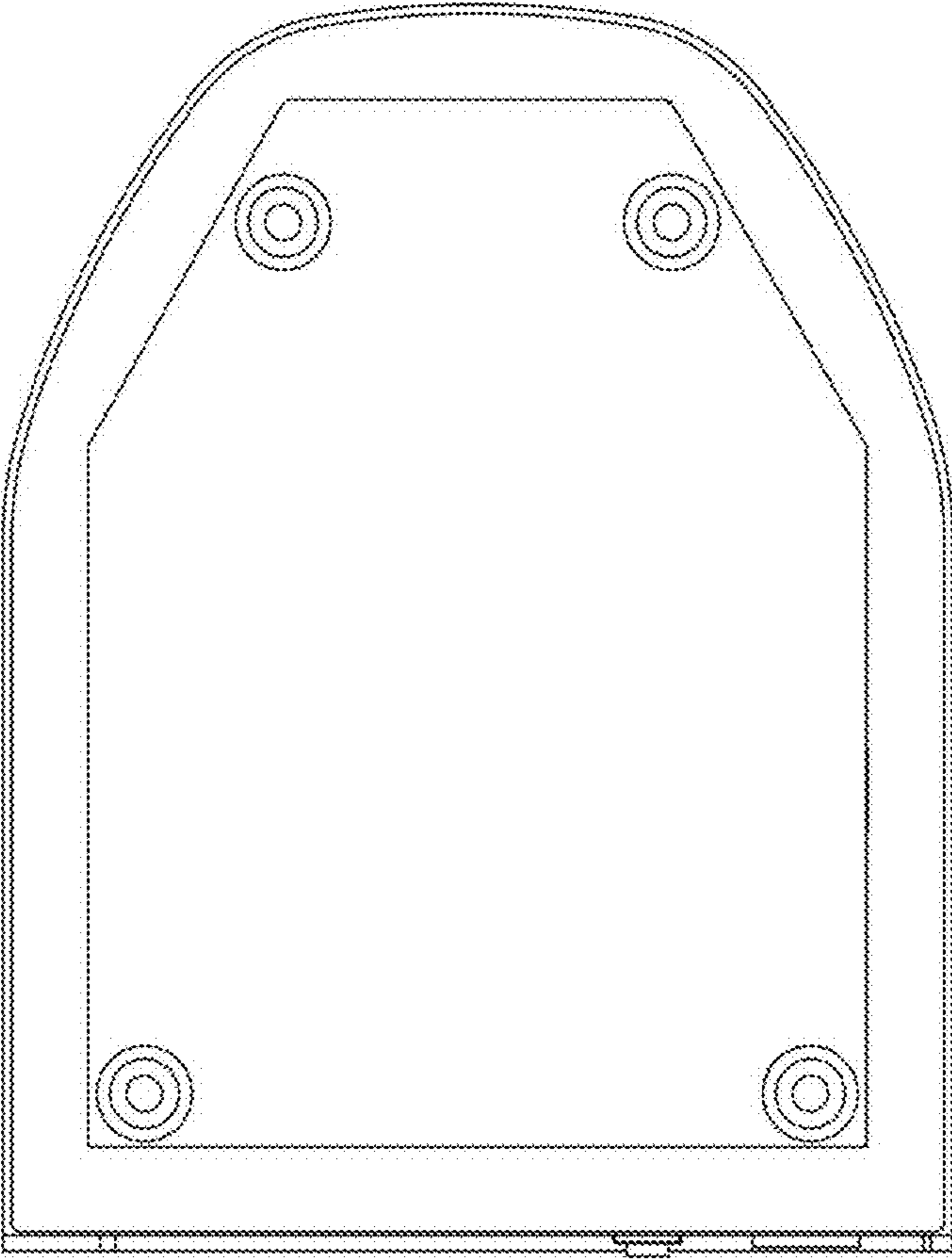


Fig. 6

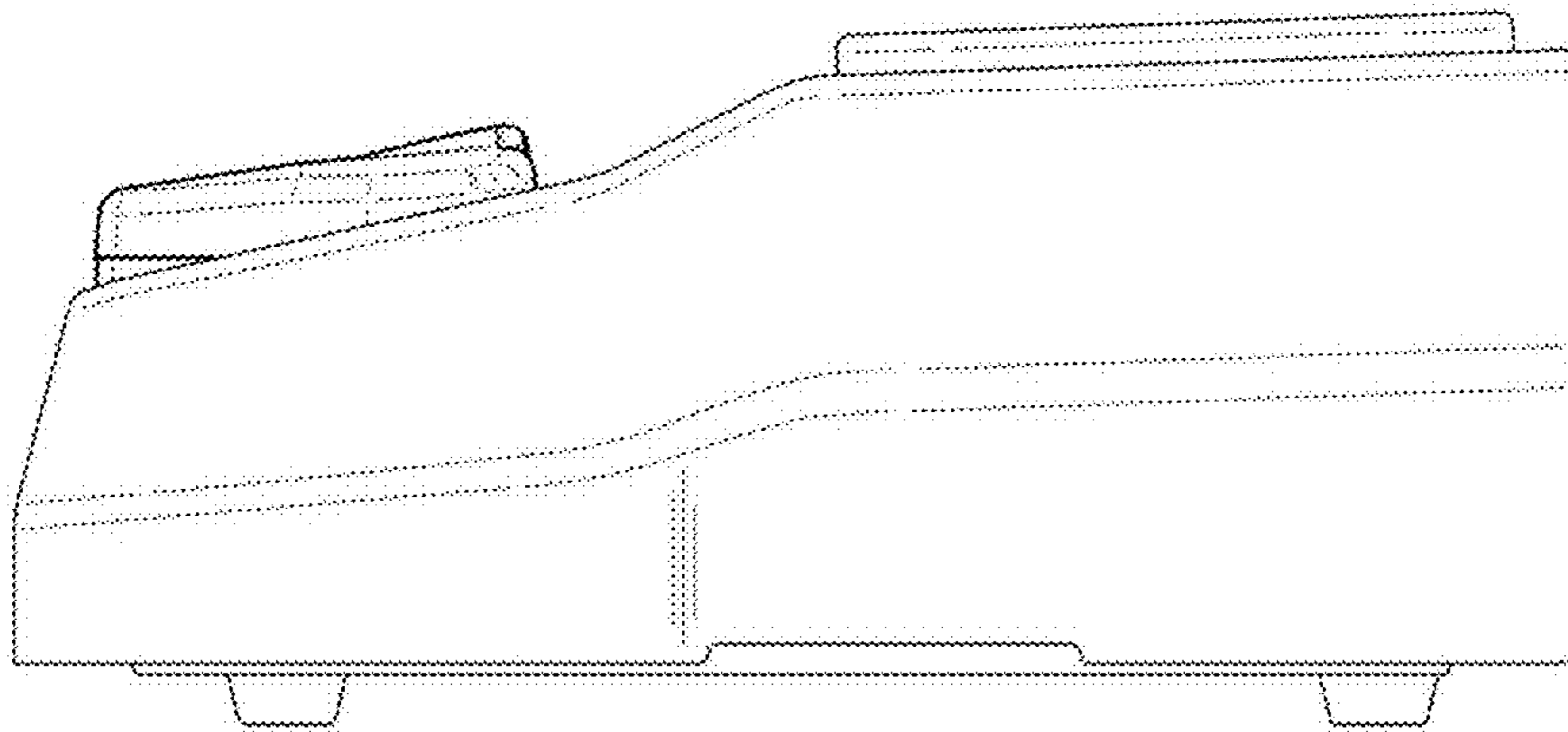


Fig. 7



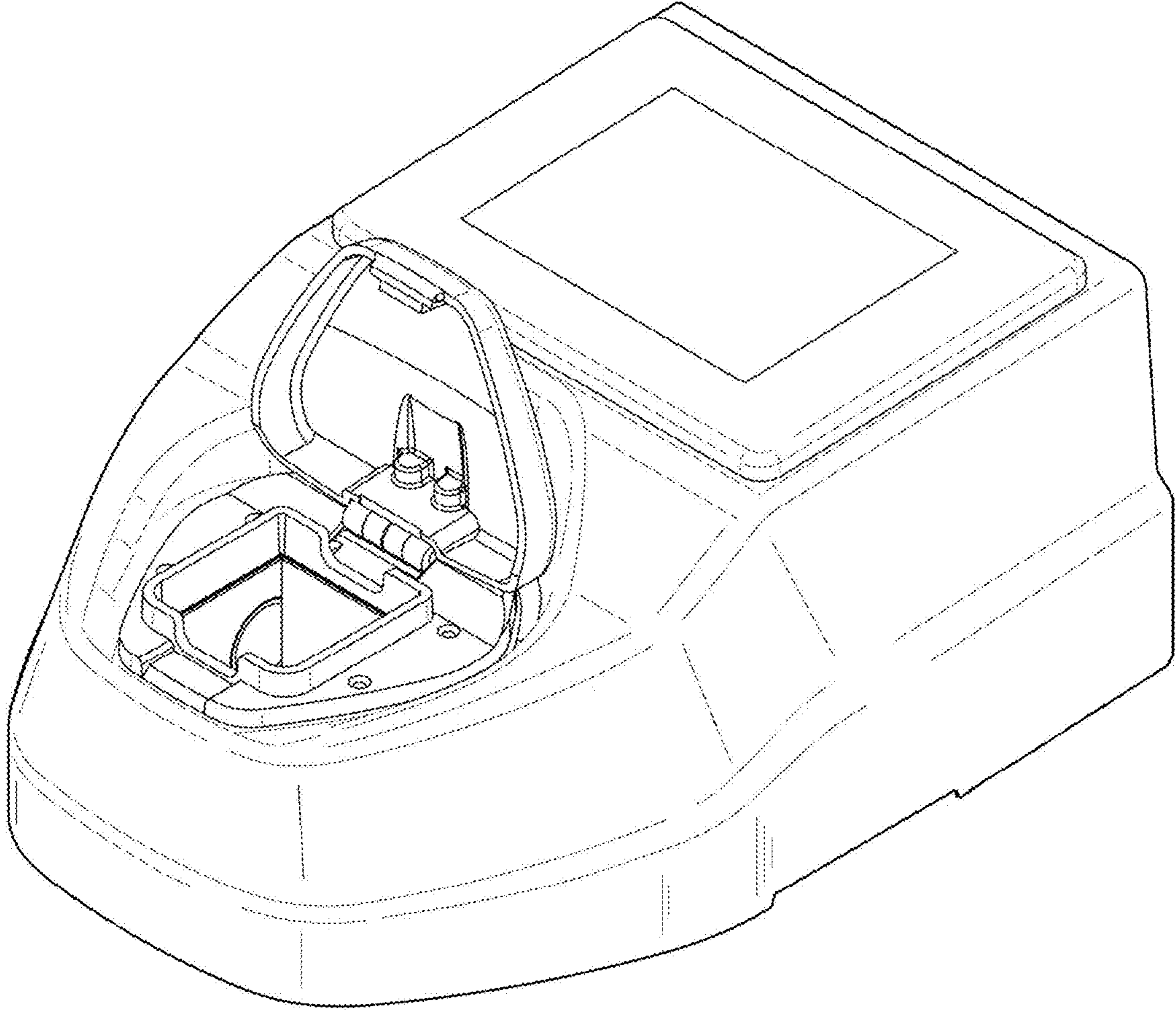


Fig. 8