



US00D872601S

(12) **United States Design Patent** (10) **Patent No.:** **US D872,601 S**
Tremp et al. (45) **Date of Patent:** **** Jan. 14, 2020**

(54) **CONCRETE MEASURING INSTRUMENT**

(56) **References Cited**

U.S. PATENT DOCUMENTS

(71) Applicant: **PROCEQ AG**, Schwerzenbach (CH)
 (72) Inventors: **Reto Tremp**, Benken (CH); **Simon Bürdel**, Aarau (CH); **Patrick Waller**, Dübendorf (CH); **Marcel Poser**, Oberuzwil (CH); **Roman Schnell**, Basel (CH); **Ralph Mennicke**, Uster (CH)

D249,553 S *	9/1978	Sturm	D24/222
D651,102 S *	12/2011	Schwenke	D10/47
D674,913 S *	1/2013	Koop	D24/222
D684,871 S *	6/2013	Lintner	D10/47
D700,073 S *	2/2014	Lintner	D10/47
D700,074 S *	2/2014	Lintner	D10/47
D721,287 S *	1/2015	Dugas	D10/47
D732,987 S *	6/2015	Zhu	D10/46
D770,056 S *	10/2016	LaCroix	D24/222
D798,469 S *	9/2017	Malvoisin	D24/222
D809,668 S *	2/2018	Ramsamy	D24/222
D829,583 S *	10/2018	Tremp	D10/83

(73) Assignee: **PROCEQ AG**, Schwerzenbach (CH)

* cited by examiner

(**) Term: **15 Years**

Primary Examiner — George D. Kirschbaum

(21) Appl. No.: **35/504,987**

(74) *Attorney, Agent, or Firm* — Muncy, Geissler, Olds & Lowe, P.C.

(22) Filed: **Nov. 24, 2017**

(57) **CLAIM**

The ornamental design for a concrete measuring instrument, as shown and described.

(80) **Hague Agreement Data**

Int. Filing Date: **Nov. 24, 2017**
 Int. Reg. No.: **DM/099991**
 Int. Reg. Date: **Nov. 24, 2017**
 Int. Reg. Pub. Date: **May 25, 2018**

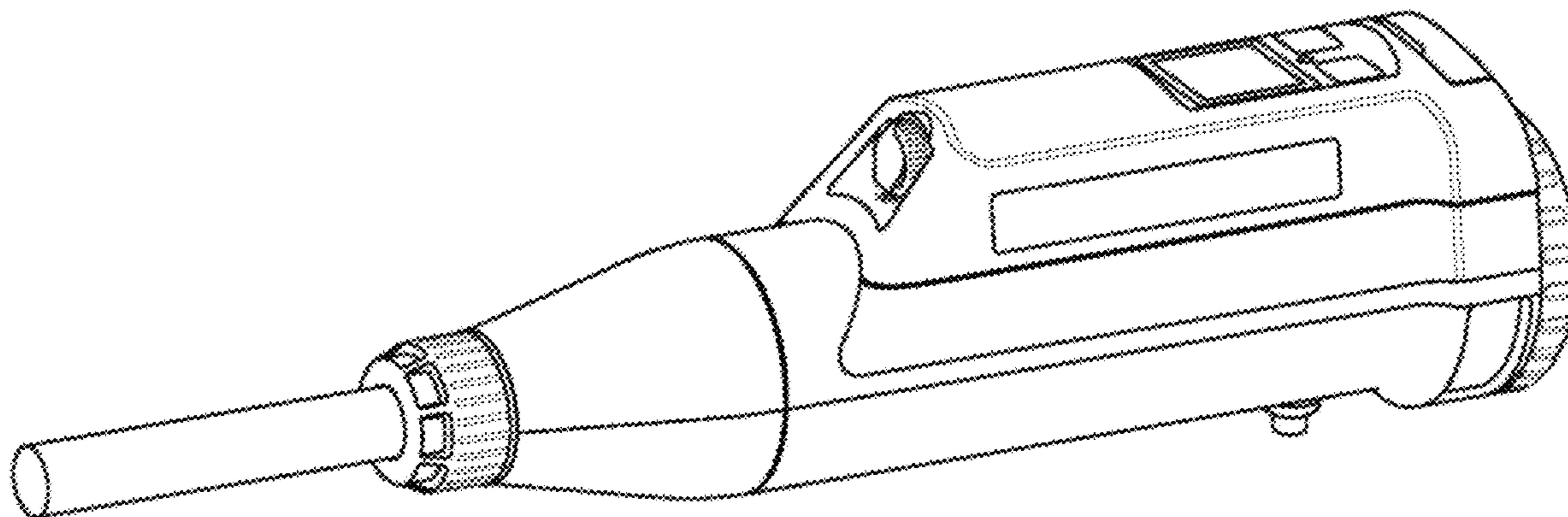
DESCRIPTION

(30) **Foreign Application Priority Data**

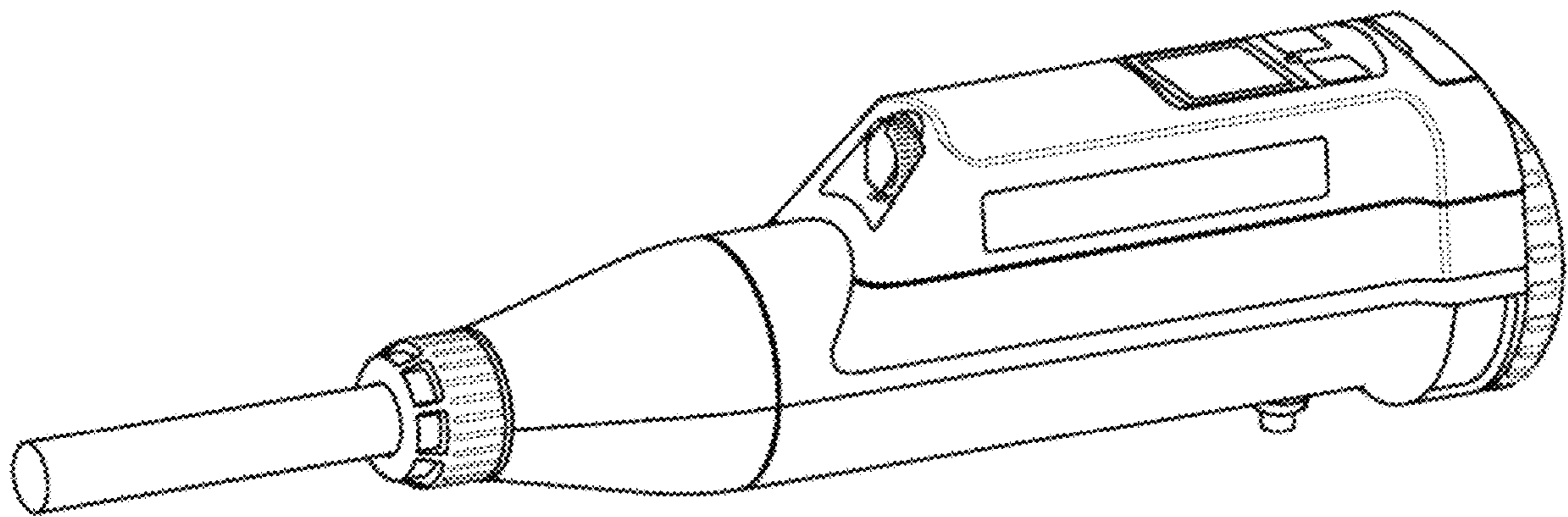
Jun. 22, 2017 (CH) 143339
 (51) **LOC (12) Cl.** **10-07**
 (52) **U.S. Cl.**
 USPC **D10/47**
 (58) **Field of Classification Search**
 USPC D10/47; D24/222
 See application file for complete search history.

- 1. Concrete measuring instrument
 - 1.1 : Perspective
 - 1.2 : Perspective
 - 1.3 : Front
 - 1.4 : Back
 - 1.5 : Left
 - 1.6 : Right
 - 1.7 : Top
 - 1.8 : Bottom
- Measuring instruments.

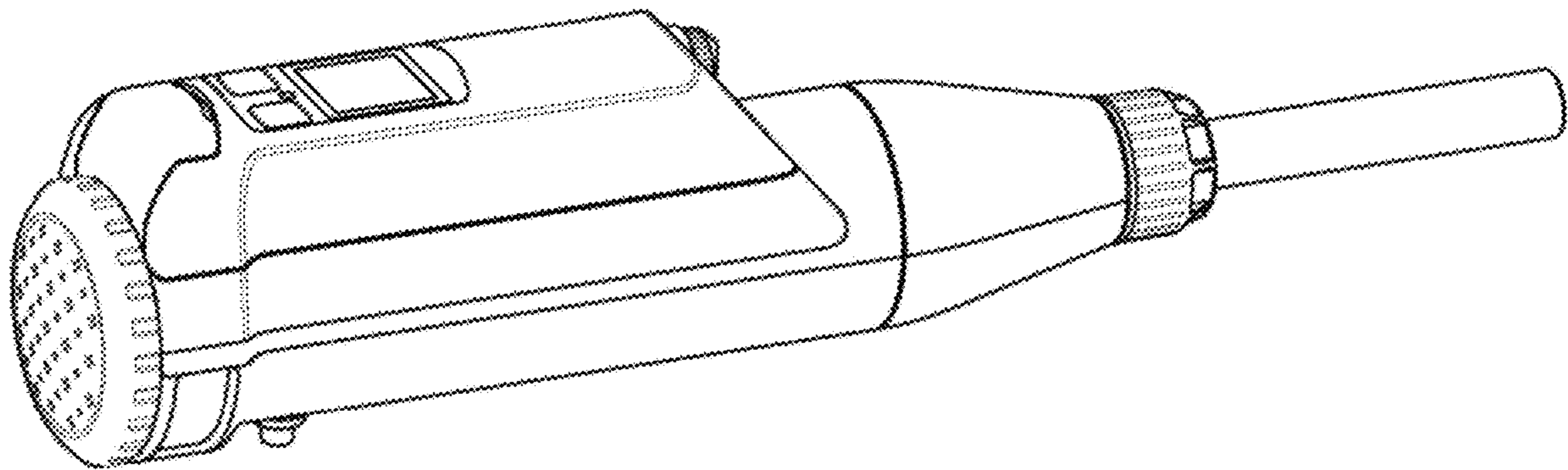
1 Claim, 8 Drawing Sheets



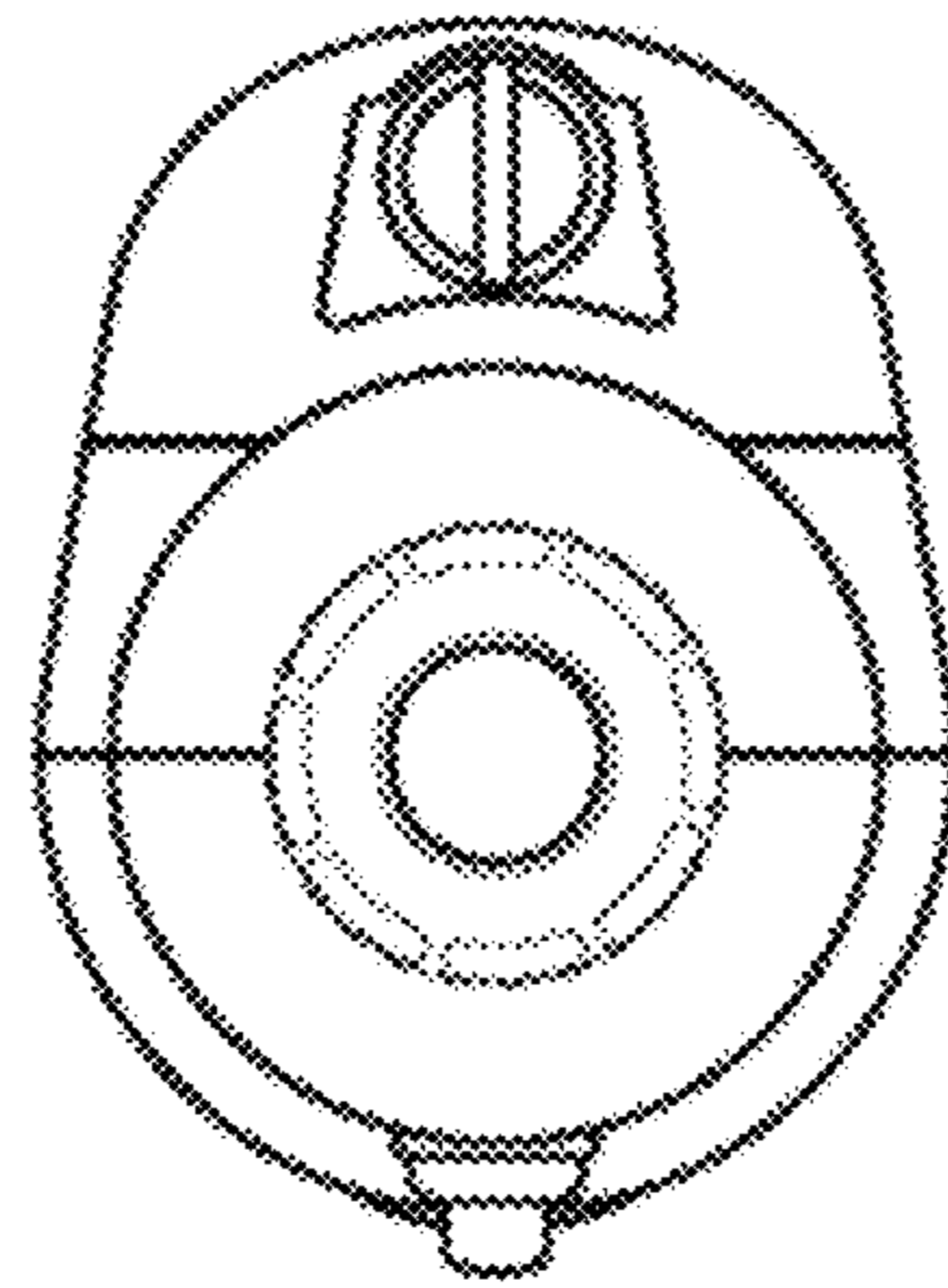
1.1



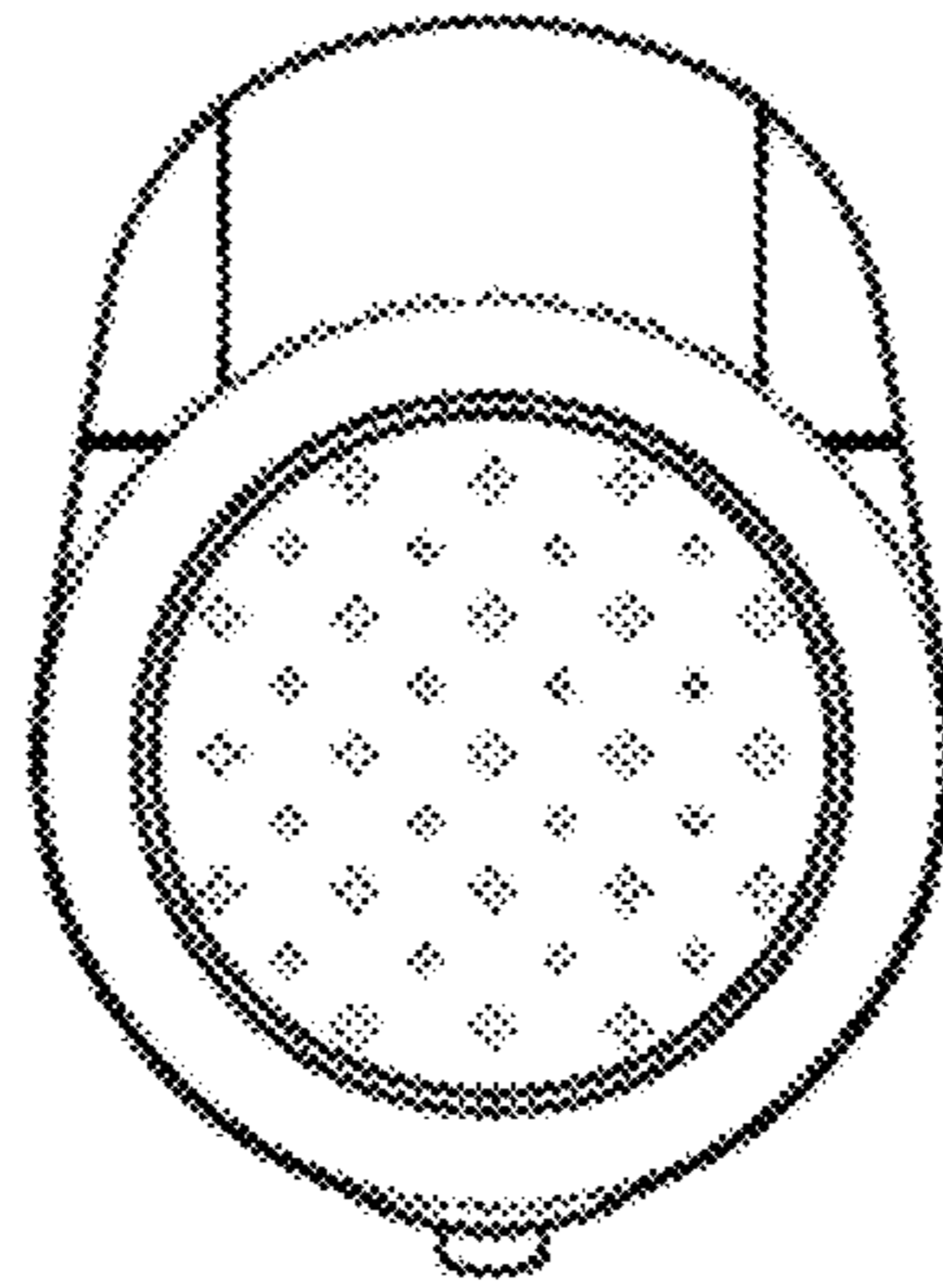
1.2



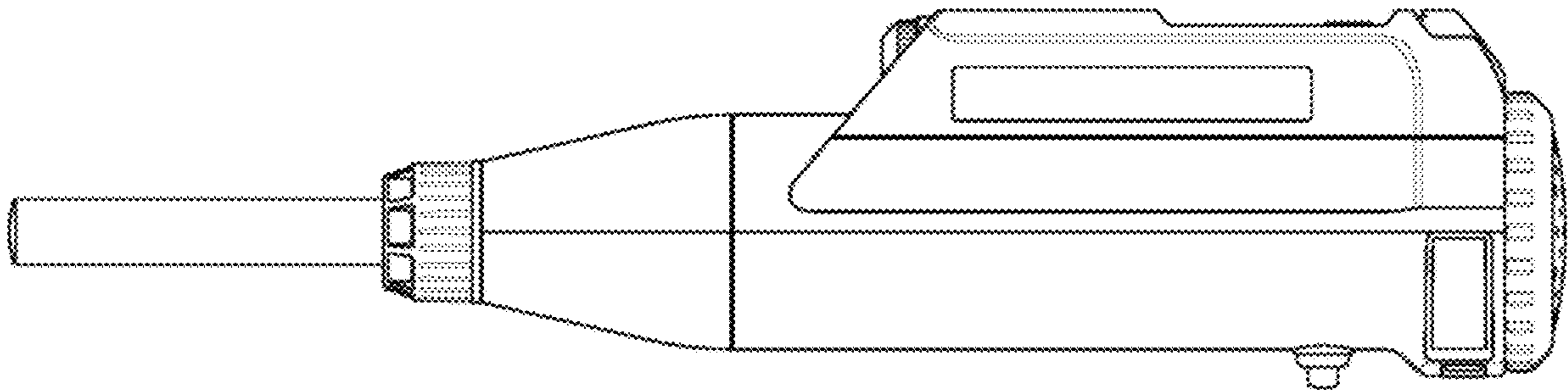
1.3



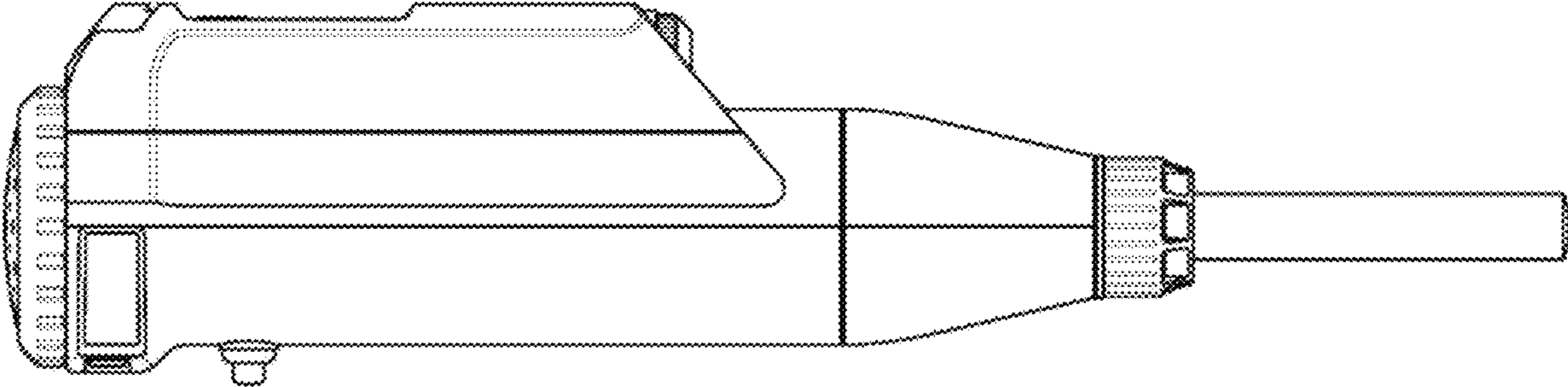
1.4



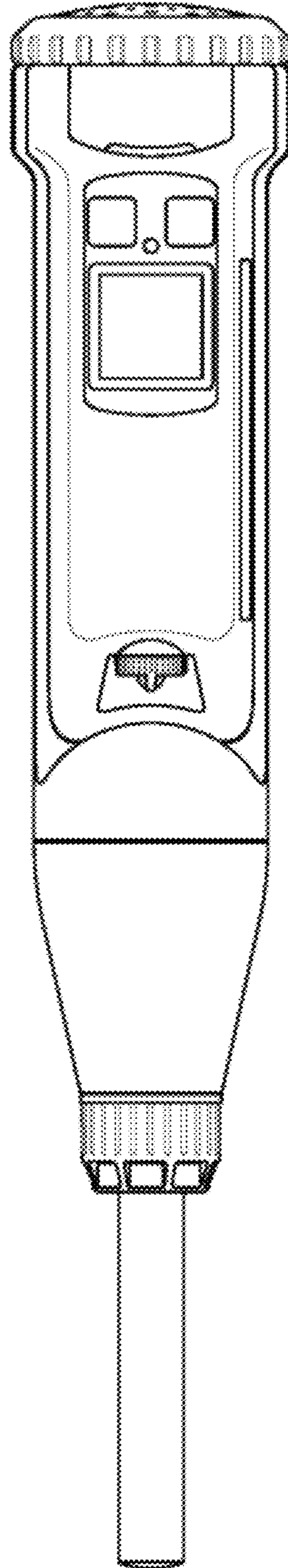
1.5



1.6



1.7



1.8

