



US00D872596S

(12) **United States Design Patent** (10) **Patent No.:** **US D872,596 S**  
**Shakeri Clark** (45) **Date of Patent:** **\*\* Jan. 14, 2020**

(54) **MULTIPLE CHAMBERED DRINKING VESSEL**  
 (71) Applicant: **Marjaneh Shakeri Clark**, Fairfax, VA (US)  
 (72) Inventor: **Marjaneh Shakeri Clark**, Fairfax, VA (US)  
 (\*\*) Term: **15 Years**  
 (21) Appl. No.: **29/624,439**  
 (22) Filed: **Nov. 1, 2017**  
 (51) **LOC (12) Cl.** ..... **09-01**  
 (52) **U.S. Cl.**  
 USPC ..... **D9/741**  
 (58) **Field of Classification Search**  
 USPC ..... D9/737-747, 516, 524-528, 549, 684, D9/719, 573-575; D7/509-511, 563, D7/573, 590, 513, 300, 308, 312, 315, D7/601, 602, 619.1, 622; D3/202; 220/505, 504, 288, 709, 23.4, 23.8, 23.88, 220/633, 916, 660, 669; 264/532; 222/129, 94, 135; 215/6, 10, 216; D24/121, 226  
 CPC ..... B65D 1/04; B65D 1/06; B65D 81/3205; B65D 11/04; B65D 21/0201; B65D 21/0204; B65D 21/0205; B65D 21/0209; B65D 25/04; B65D 51/249; B65D 81/3288; B65D 1/02; B65D 2501/0081; B65D 81/3244; B65D 83/40; B65D 83/68; B65D 81/3222; B65D 23/001; B65D 35/22; B65D 47/06; B65D 83/682; B65D 15/08; B65D 1/16; B65D 1/48; B65D 25/20; B05B 11/0081; B05B 11/30; B05B 11/0037; B05B 11/0056; B05B 11/3081; A47G 2019/122; A61J 1/2093; A45F 3/20  
 See application file for complete search history.

(56) **References Cited**  
 U.S. PATENT DOCUMENTS  
 3,211,343 A \* 10/1965 Silver ..... B65D 83/68 222/144.5  
 3,417,897 A \* 12/1968 Johnson ..... B65D 43/161 220/254.3  
 4,126,239 A \* 11/1978 Gehrig ..... F42B 3/00 206/3  
 D395,790 S \* 7/1998 Gaines ..... D7/510  
 8,844,316 B1 \* 9/2014 Ademola ..... F25D 3/08 62/293  
 D736,565 S \* 8/2015 Wright ..... D7/541  
 D753,363 S \* 4/2016 Iriarte ..... D34/4  
 D798,739 S \* 10/2017 Reaux ..... D9/756  
 2001/0045432 A1 \* 11/2001 Jeoung Su ..... B65D 21/0204 220/23.4  
 2006/0131311 A1 \* 6/2006 Wang ..... B65D 25/04 220/507  
 2006/0243728 A1 \* 11/2006 Roger ..... B65D 21/0201 220/23.9  
 2010/0116769 A1 \* 5/2010 Kountotsis ..... B65D 1/0292 215/6  
 2010/0116826 A1 \* 5/2010 Kountotsis ..... B65D 1/04 220/553

(Continued)

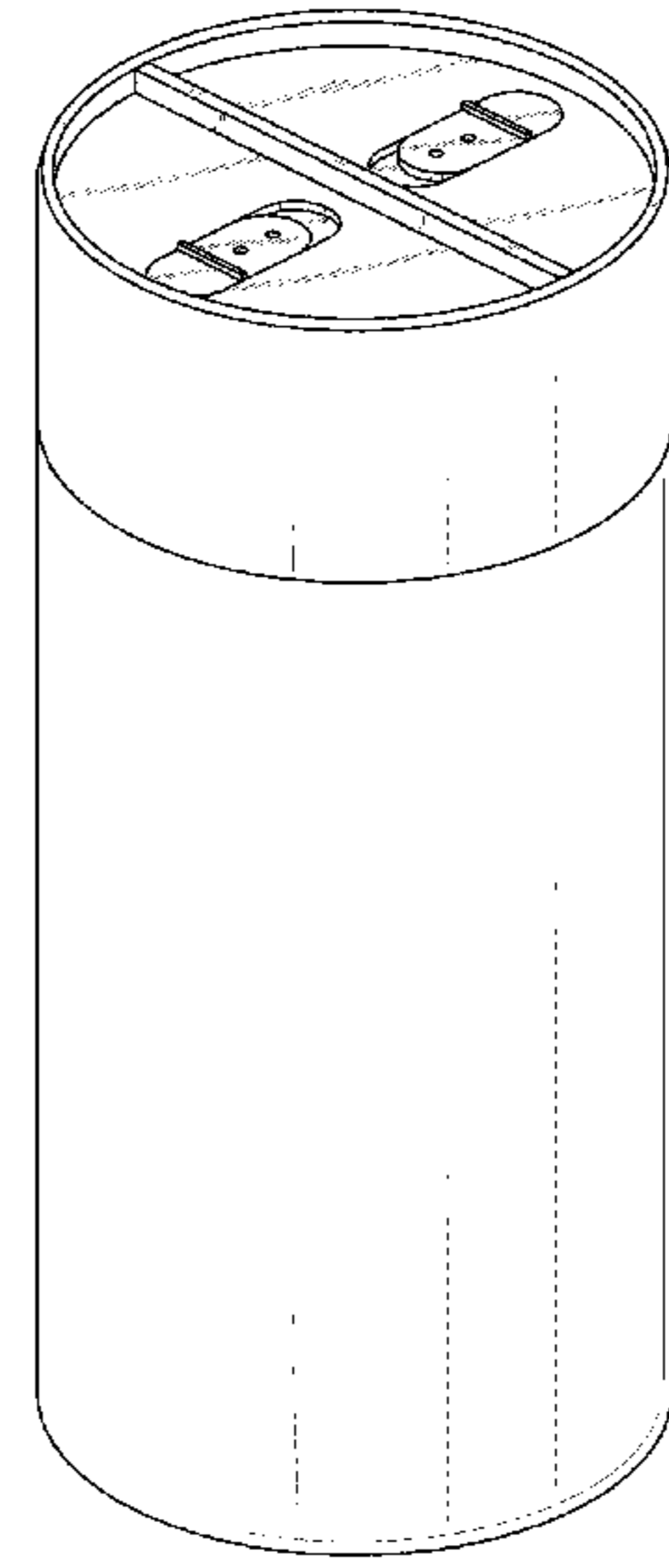
*Primary Examiner* — W. A. Teddy Falloway  
 (74) *Attorney, Agent, or Firm* — Maier & Maier, PLLC

(57) **CLAIM**  
 The ornamental design for a multiple chambered drinking vessel, as shown and described.

**DESCRIPTION**

FIG. 1 is a perspective view of a multiple chambered drinking vessel, showing my design;  
 FIG. 2 is a front elevation view thereof, the left, right, and rear elevation views being mirror images of the front elevation view;  
 FIG. 3 is a top plan view thereof; and,  
 FIG. 4 is a bottom plan view thereof.

**1 Claim, 3 Drawing Sheets**



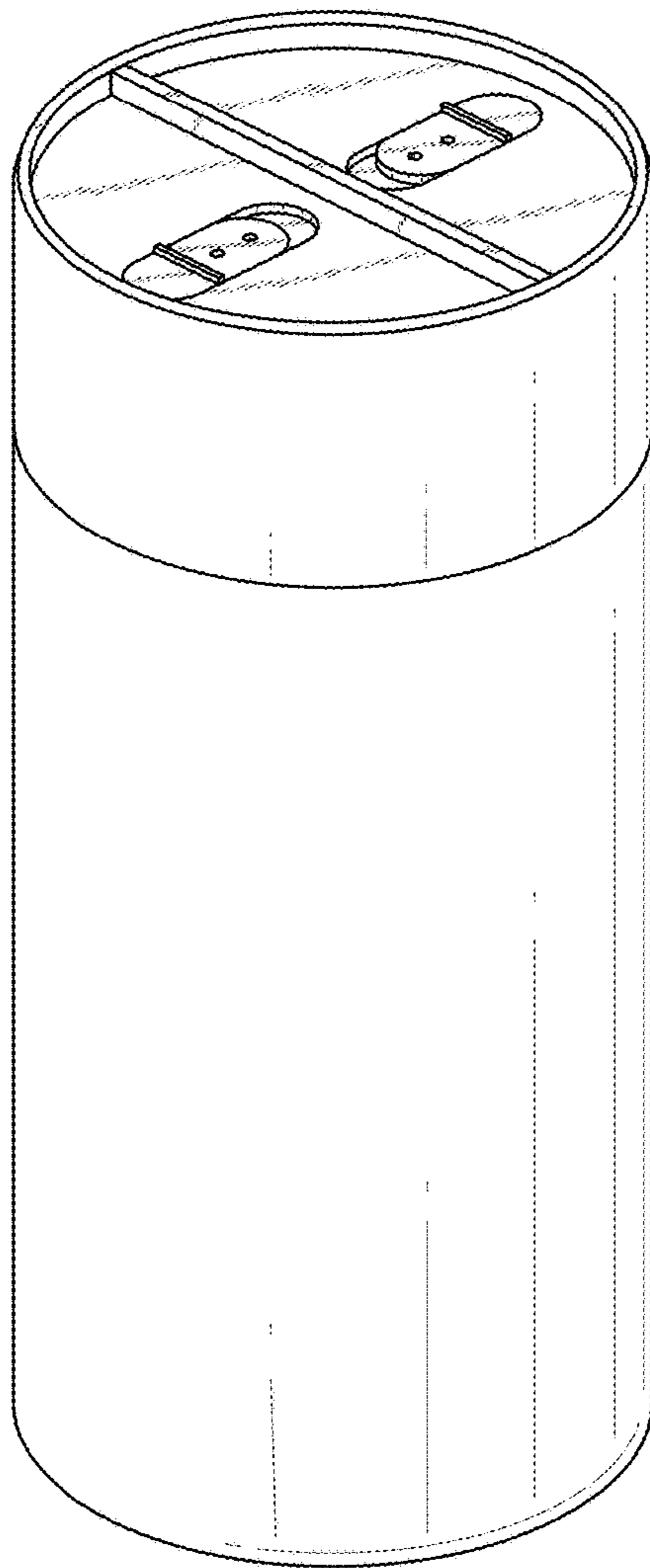
(56)

**References Cited**

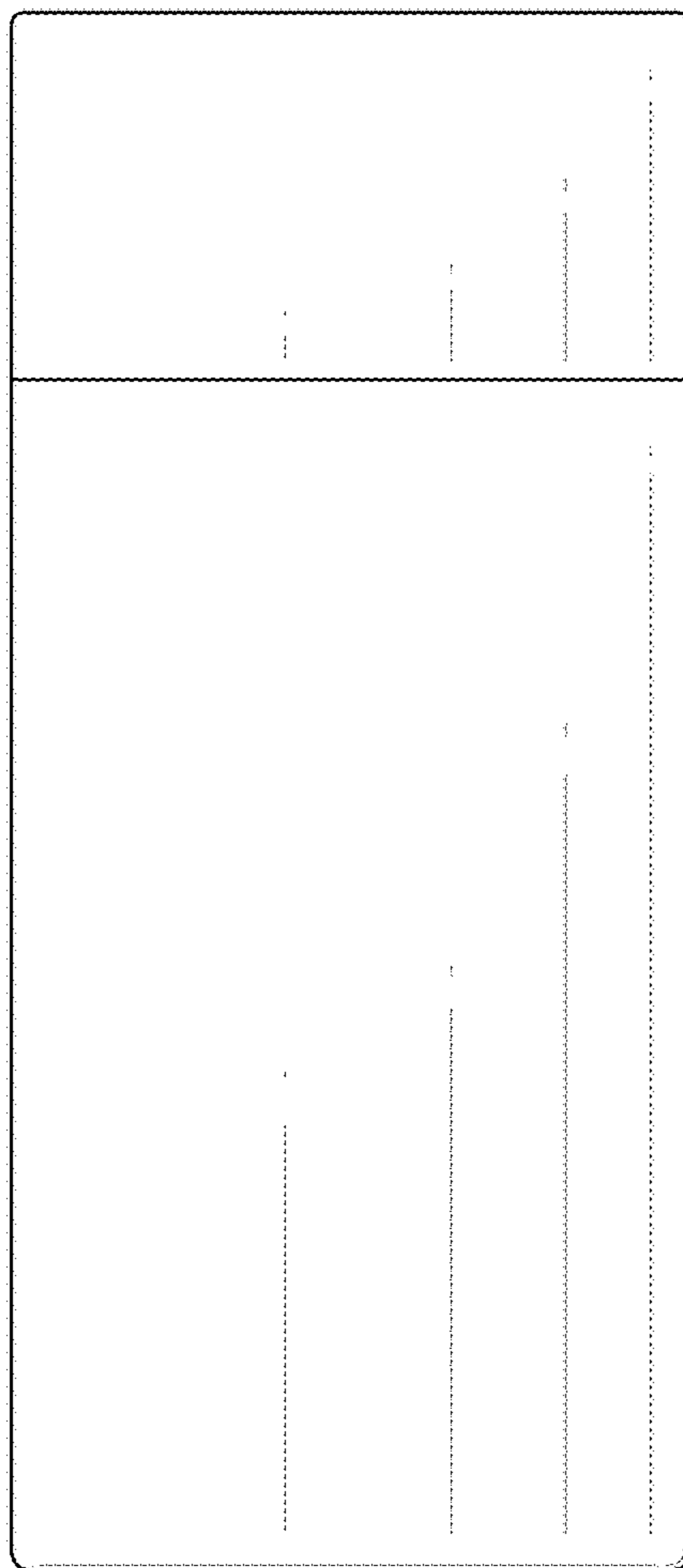
U.S. PATENT DOCUMENTS

2016/0200474 A1\* 7/2016 Burden ..... A47G 19/2266  
222/144.5  
2018/0029752 A1\* 2/2018 Clark ..... B65D 25/04  
2018/0353922 A1\* 12/2018 Pappas ..... B65D 81/3283

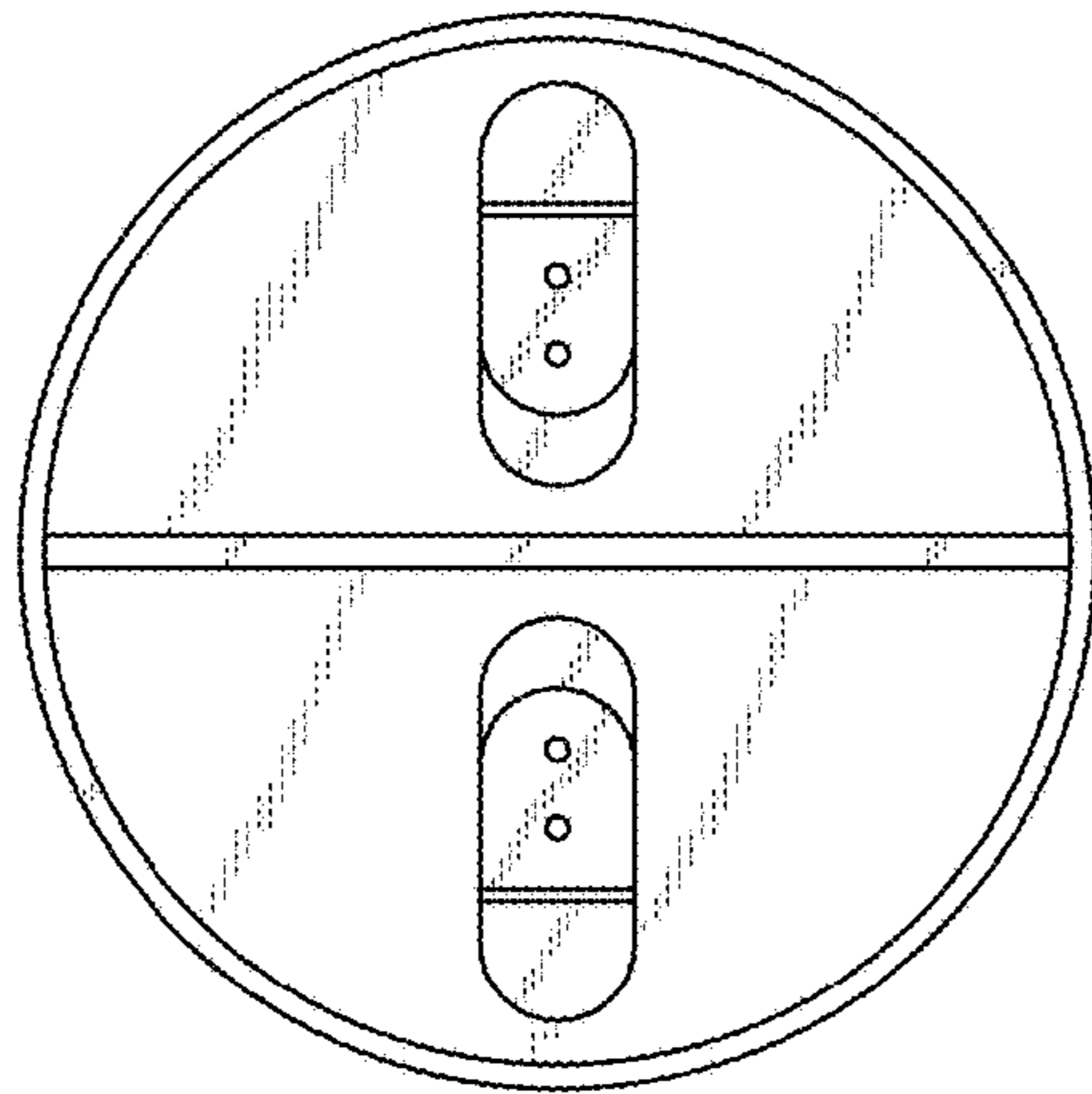
\* cited by examiner



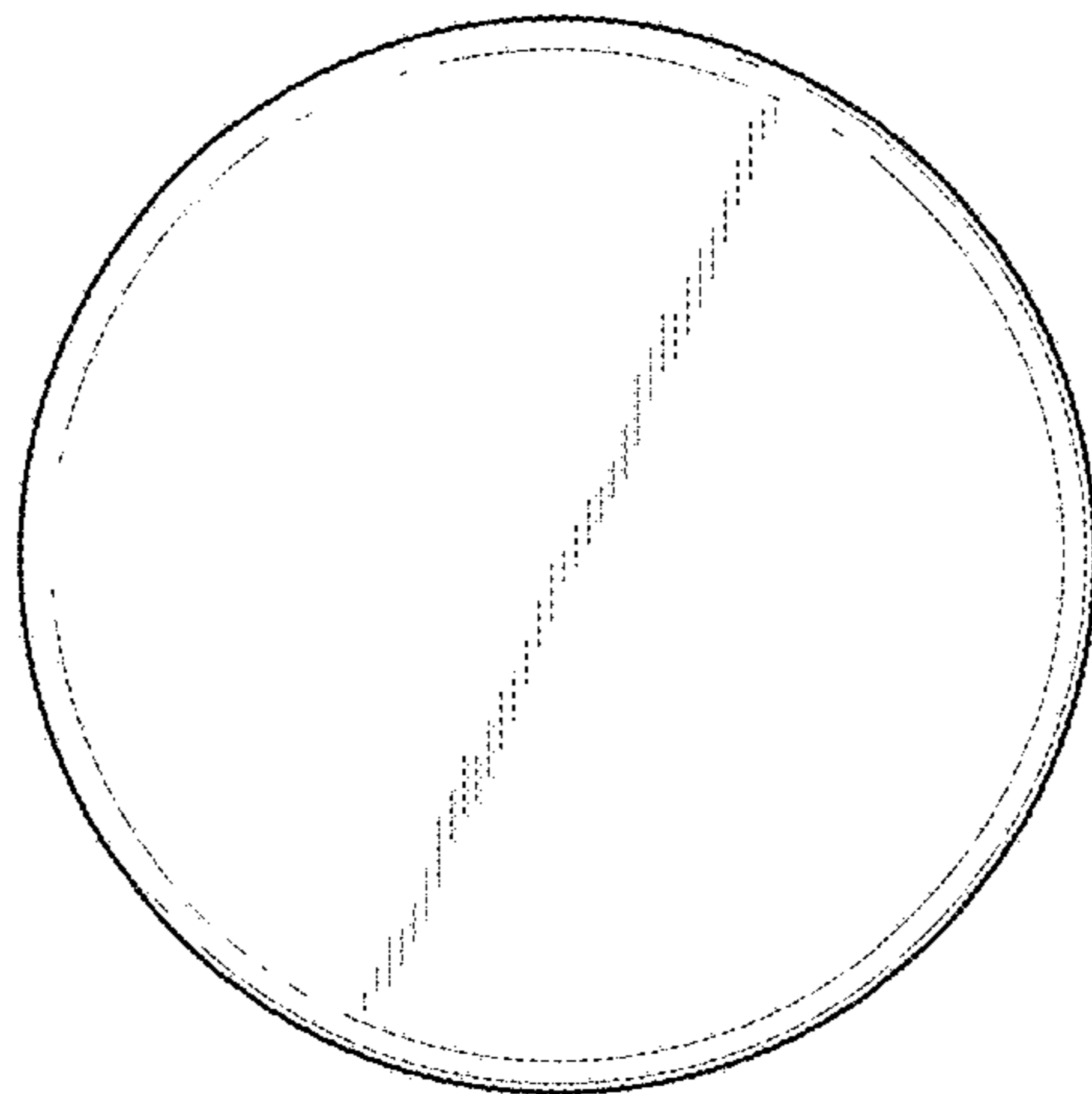
*Fig. 1*



*Fig. 2*



*Fig. 3*



*Fig. 4*