



US00D872595S

(12) **United States Design Patent**
Troudt et al.

(10) **Patent No.:** **US D872,595 S**
(45) **Date of Patent:** **** Jan. 14, 2020**

(54) **CONTAINER**

(71) Applicant: **D6 Inc.**, Portland, OR (US)
(72) Inventors: **Martin Troudt**, Wood Village, OR (US); **Ed Dominion**, Portland, OR (US)
(73) Assignee: **D6 Inc.**, Portland, OR (US)
(**) Term: **15 Years**

(21) Appl. No.: **29/626,695**

(22) Filed: **Nov. 19, 2017**

(51) **LOC (12) Cl.** **09-03**

(52) **U.S. Cl.**
USPC **D9/737**

(58) **Field of Classification Search**

USPC D9/341, 347, 414-432, 440, 444, 447, D9/449-454, 503, 504, 737, 759, 761, D9/456; D7/672, 601, 550.1, 551.1, D7/551.2, 551.3, 552.1, 552.2, 553.1, D7/553.2, 553.4, 553.5, 553.7, 553.8, D7/554.1, 554.3, 555, 557, 602, 629, 630, D7/538-542, 612-615, 584, 586, 587, D7/392.1, 709, 502, 608, 622, 701, 703, D7/543-549, 317-319, 391, 392, 396.2, D7/510, 511; D3/273, 201-206, 276, D3/283, 284, 295, 274, 302; D11/143; 220/575, 500, 505-507, 523, 553, 555, 220/556; 206/216, 217, 541-550, 518, 206/557, 558, 561, 564, 223, 467; 229/107, 406, 120, 125.17; 249/126,
(Continued)

(56) **References Cited**

U.S. PATENT DOCUMENTS

D551,091 S * 9/2007 Shavsavarani D9/737
D615,821 S * 5/2010 Stamper D7/538
(Continued)

OTHER PUBLICATIONS

U.S. Appl. No. 29/639,599, filed Mar. 7, 2018, 21 pages.

(Continued)

Primary Examiner — W. A. Teddy Falloway

(74) *Attorney, Agent, or Firm* — Stoel Rives LLP

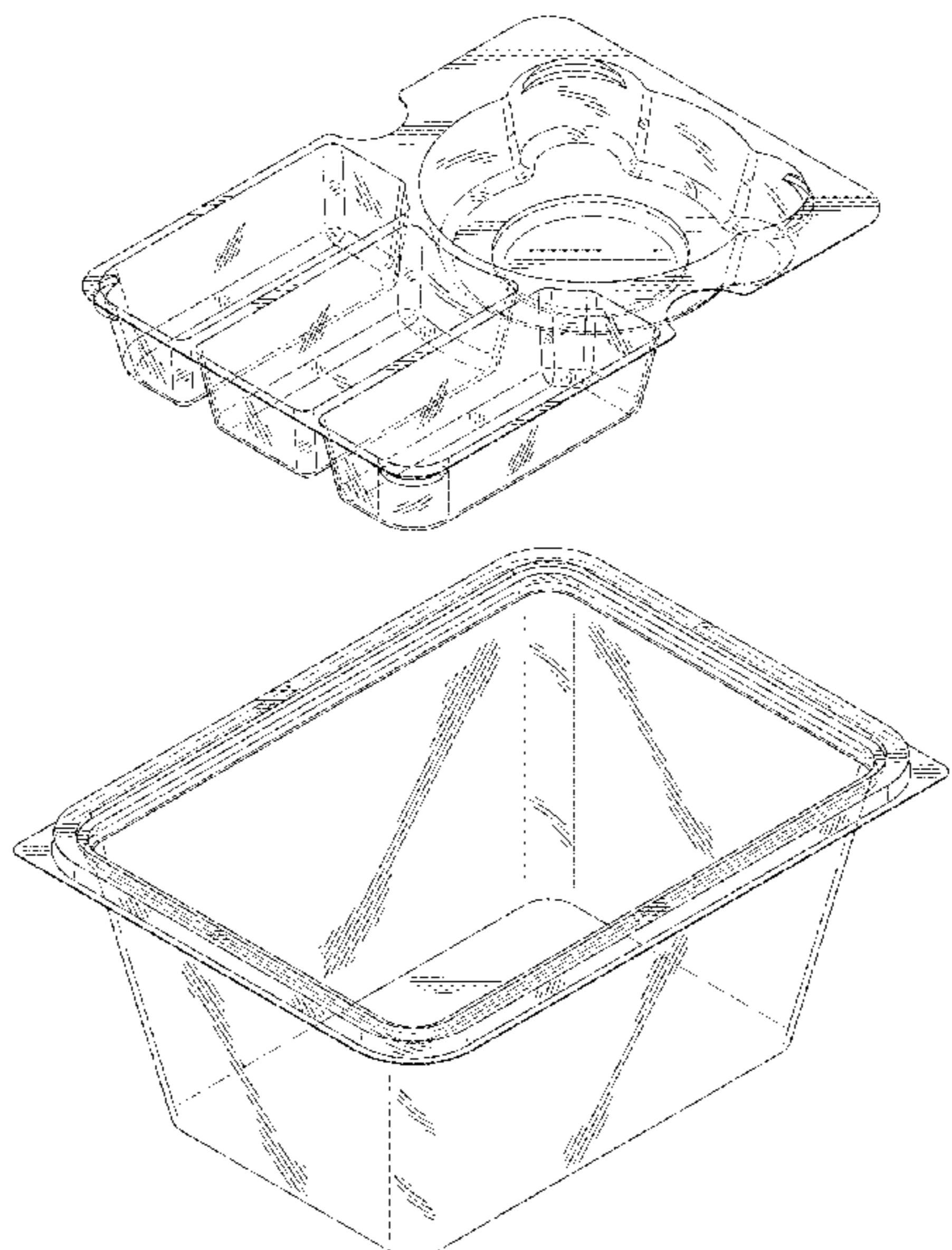
(57) **CLAIM**

The ornamental design for a container, as shown and described.

DESCRIPTION

FIG. 1 is a front, top isometric view of a container;
FIG. 2 is a front elevation view thereof;
FIG. 3 is a rear elevation view thereof;
FIG. 4 is a right side view thereof;
FIG. 5 is a left side view thereof;
FIG. 6 is a top plan view thereof;
FIG. 7 is a bottom plan view thereof;
FIG. 8 is an exploded isometric view thereof;
FIG. 9 is a front, top isometric view of the bottom component of the container in FIG. 1, shown separately for clarity of illustration;
FIG. 10 is a front elevation view thereof;
FIG. 11 is a rear elevation view thereof;
FIG. 12 is a right side view thereof;
FIG. 13 is a left side view thereof;
FIG. 14 is a top plan view thereof;
FIG. 15 is a bottom plan view thereof;
FIG. 16 is a front, top isometric view of the top component of the container in FIG. 1, shown separately for clarity of illustration;
FIG. 17 is a front elevation view thereof;
FIG. 18 is a rear elevation view thereof;
FIG. 19 is a right side view thereof;
FIG. 20 is a left side view thereof;
FIG. 21 is a top plan view thereof; and,
FIG. 22 is a bottom plan view thereof.

1 Claim, 18 Drawing Sheets



(58) **Field of Classification Search**

USPC 249/134; 426/106; 215/211, 200, 224,
215/243
CPC B65D 85/34; B65D 85/345; B65D 43/161;
B65D 43/162; B65D 43/16; B65D 51/28;
B65D 2543/00194; B65D 2543/00296;
B65D 1/24; B65D 21/0237; B65D
2543/00101; B65D 2543/00351; B65D
1/36; B65D 2543/00555; B65D
2581/3425; B65D 25/04; B65D 43/0218;
B65D 2543/00083; B65D 2543/00268;
B65D 2543/00277; B65D 81/3453; A47G
19/02; A47G 19/065; A47G 23/0608;
A47G 23/06

See application file for complete search history.

(56) **References Cited**

U.S. PATENT DOCUMENTS

D634,619 S * 3/2011 Fisher D9/425
D641,235 S * 7/2011 Fisher D9/425

D641,256 S * 7/2011 Fisher D9/425
D698,666 S * 2/2014 Sifuentes D9/425
D728,383 S * 5/2015 Sifuentes D9/425
D799,340 S * 10/2017 Shoshan D9/737
D804,961 S * 12/2017 Shoshan D9/737
D850,932 S * 6/2019 Troutt D9/737
D851,501 S * 6/2019 Dominion D9/761
2007/0059406 A1* 3/2007 Shahsavarani A23B 7/148
426/106
2010/0307116 A1* 12/2010 Fisher B65D 51/28
53/492

OTHER PUBLICATIONS

U.S. Appl. No. 29/639,599, filed Mar. 12, 2018, 3 pages.

U.S. Appl. No. 29/639,670, filed Mar. 7, 2018, 21 pages.

U.S. Appl. No. 29/639,670, filed Mar. 12, 2018, 3 pages.

* cited by examiner

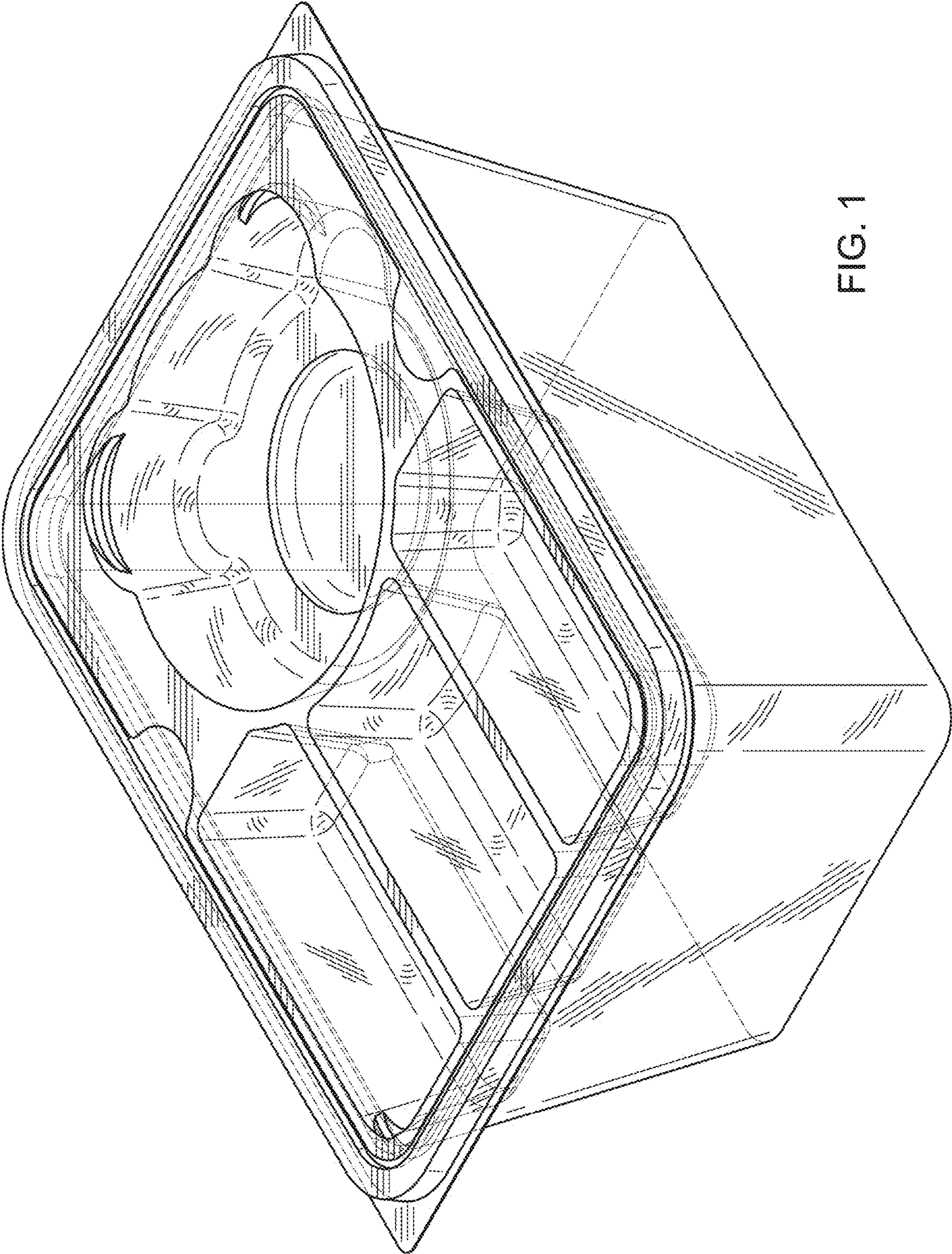


FIG. 1

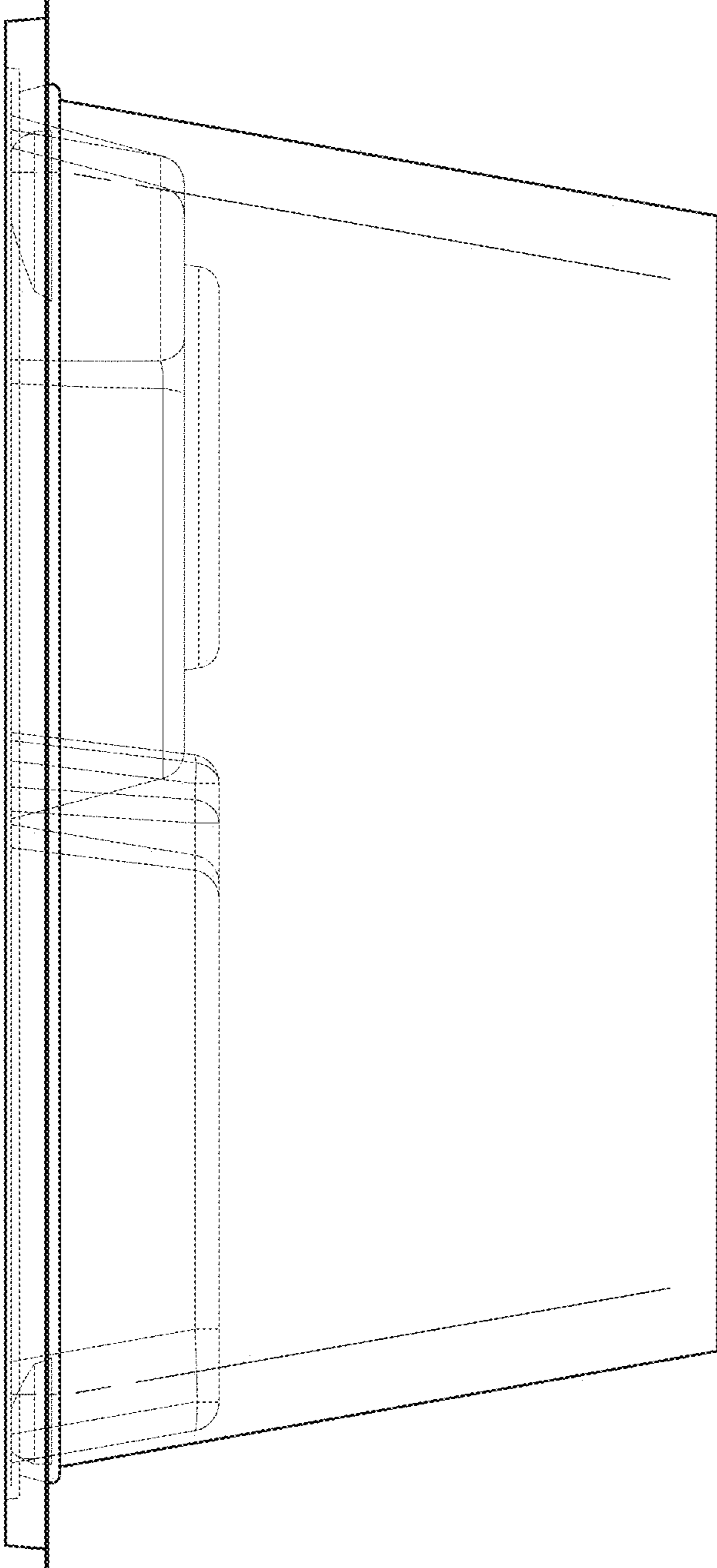


FIG. 2

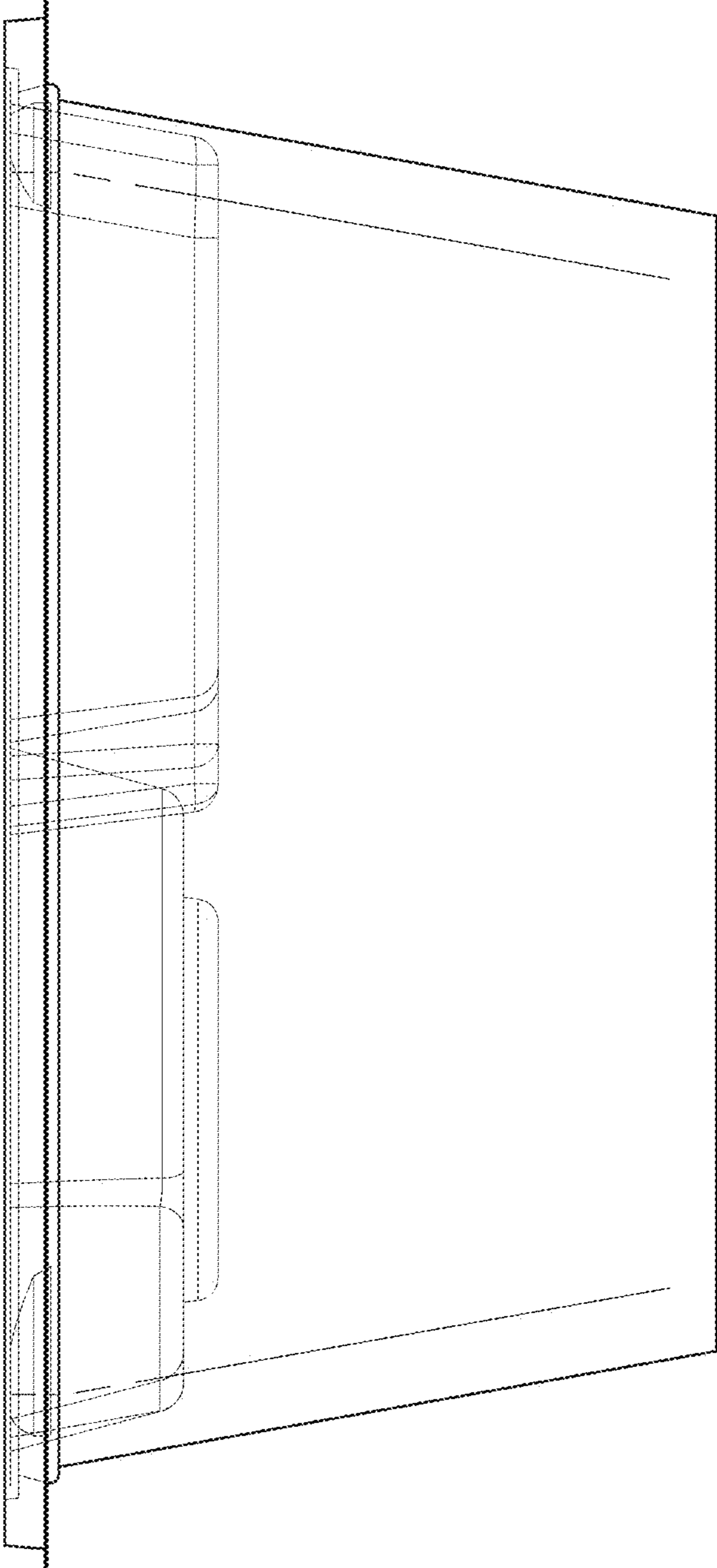


FIG. 3

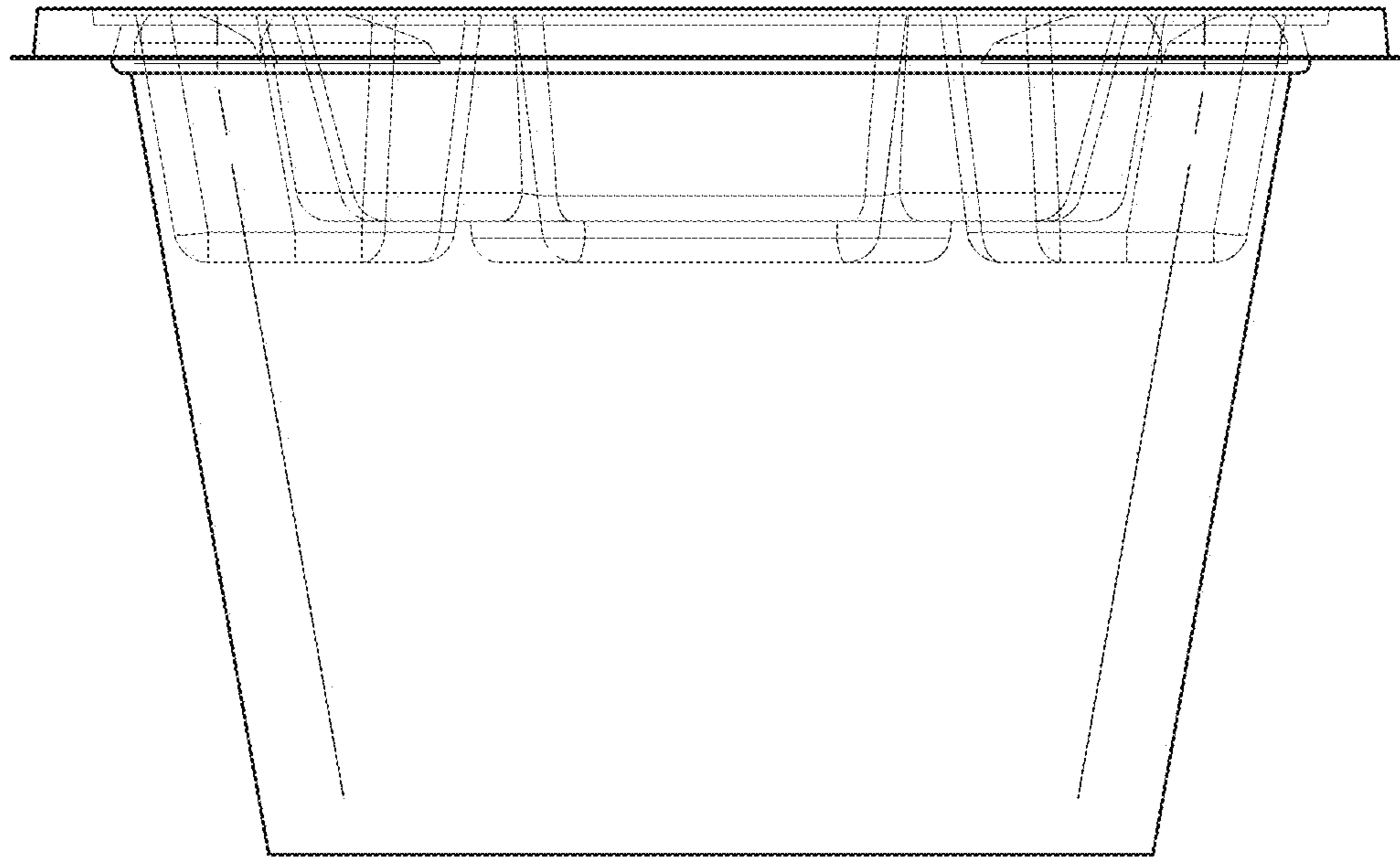


FIG. 4

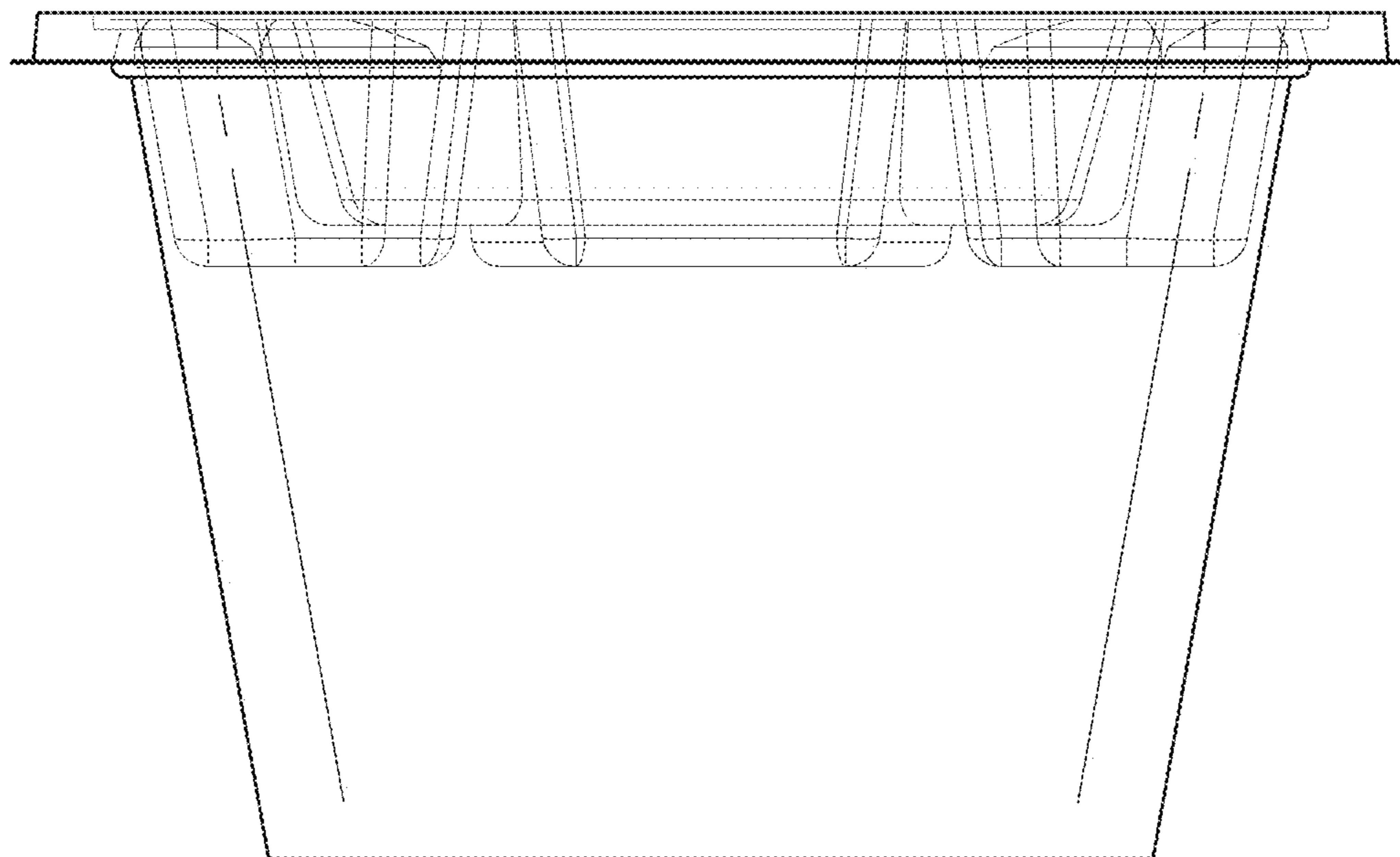


FIG. 5

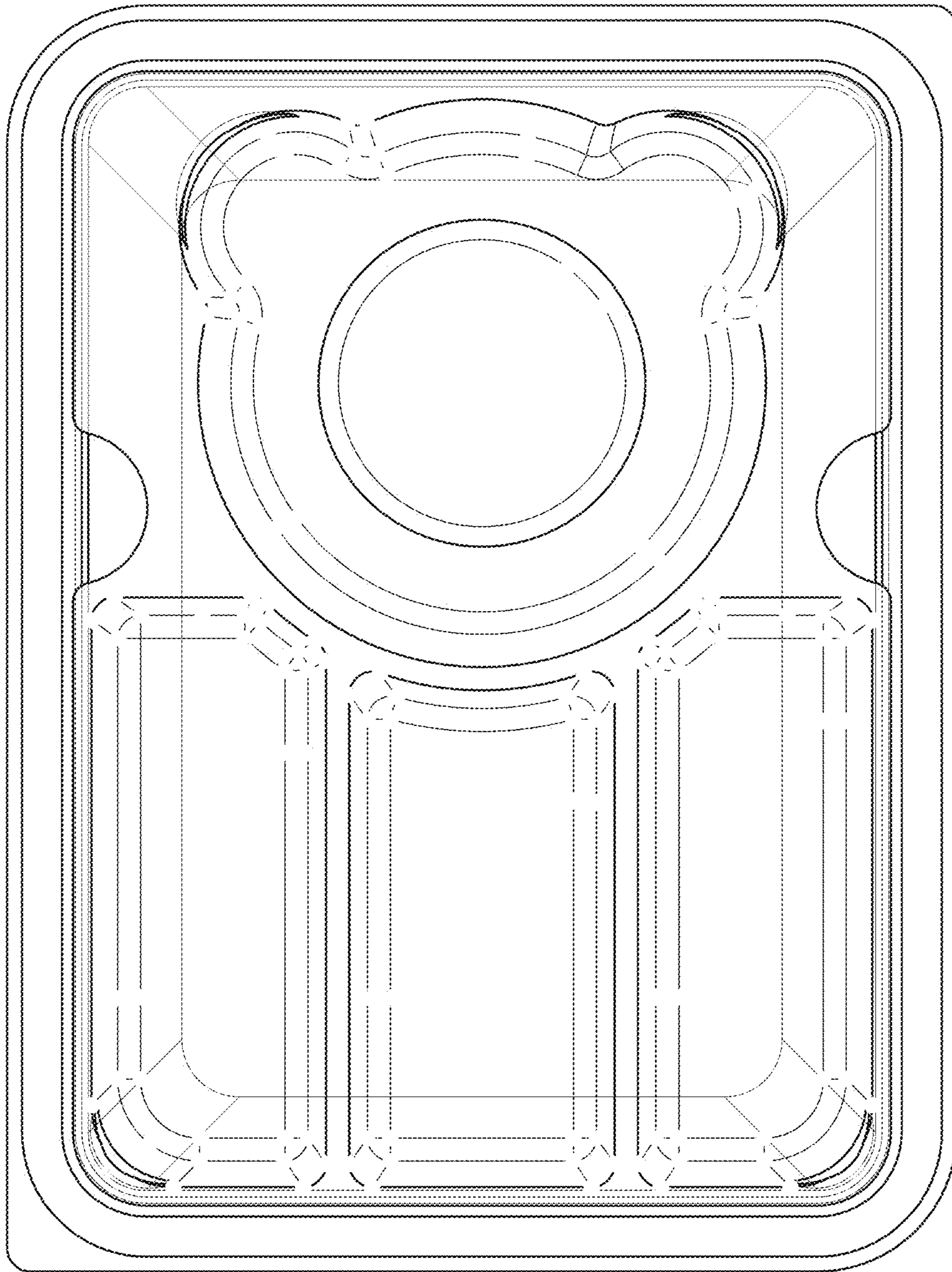


FIG. 6

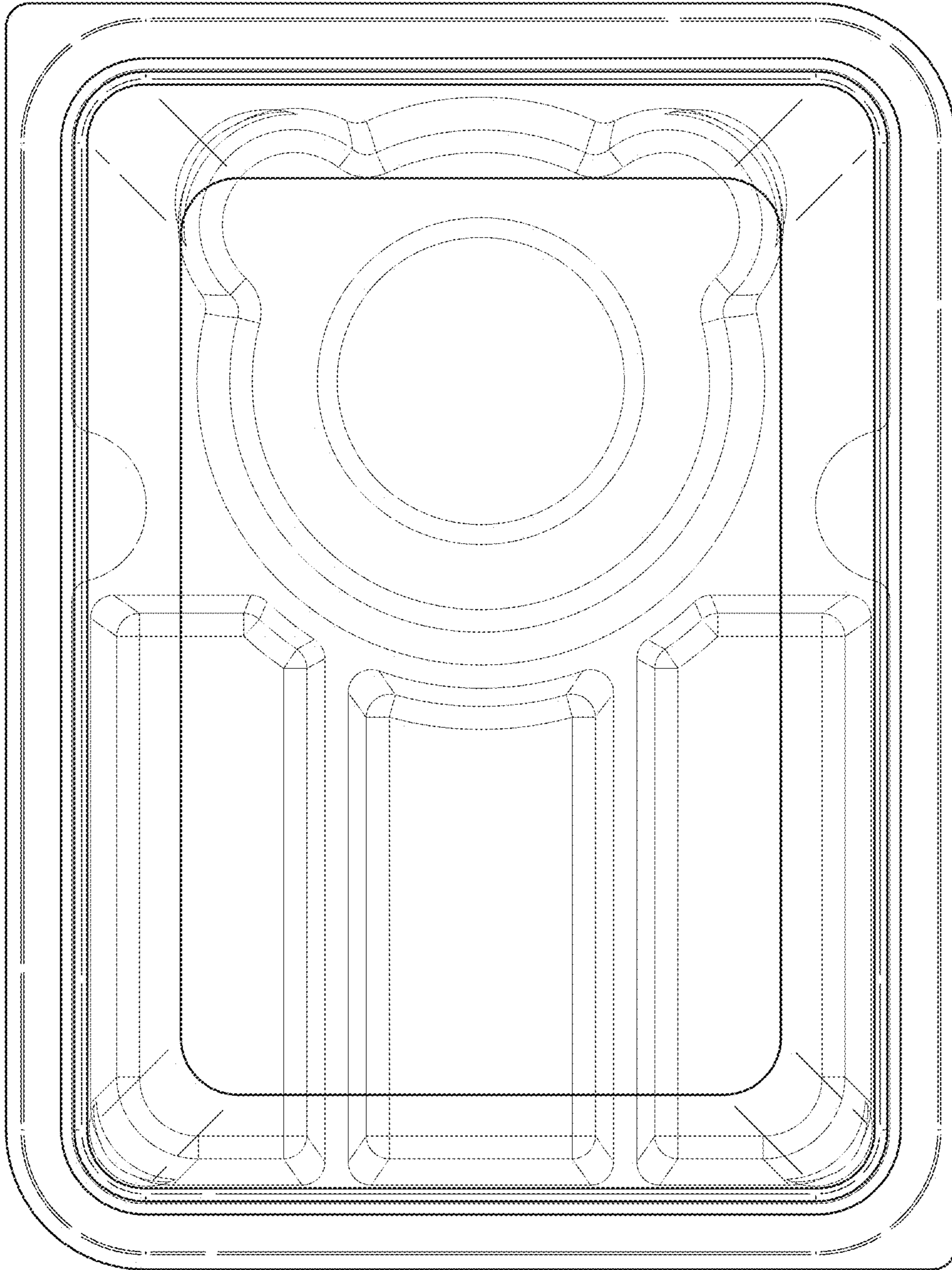
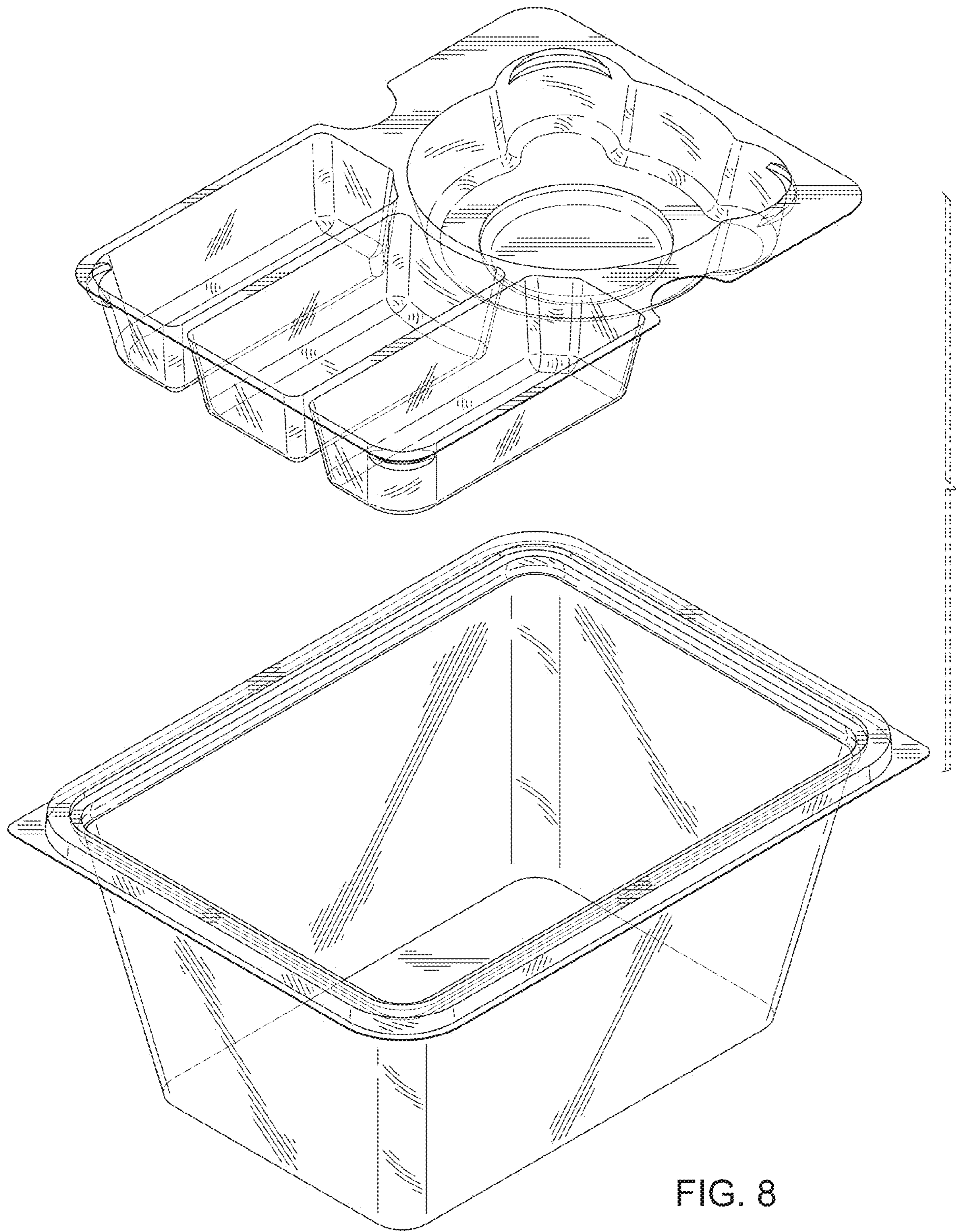
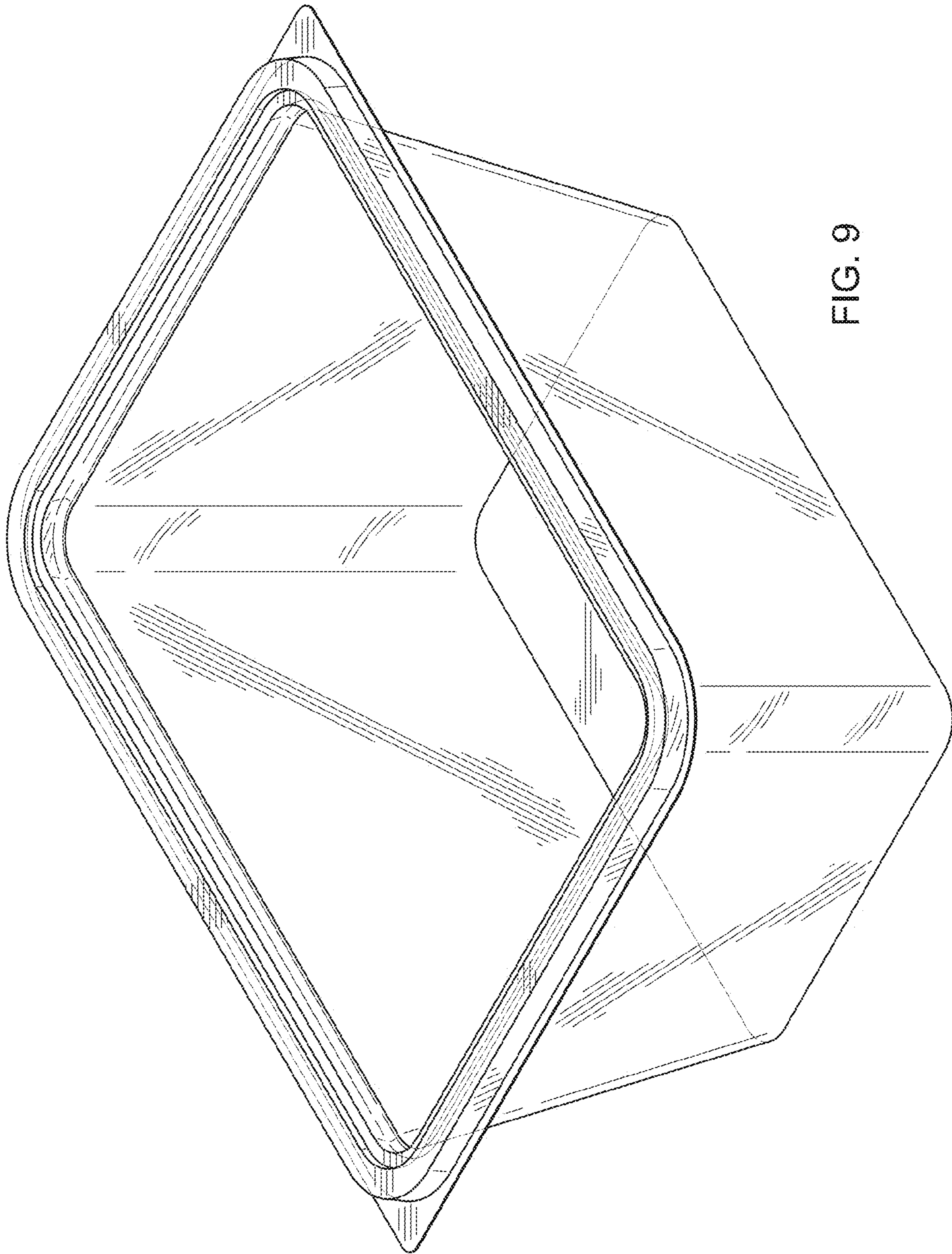


FIG. 7





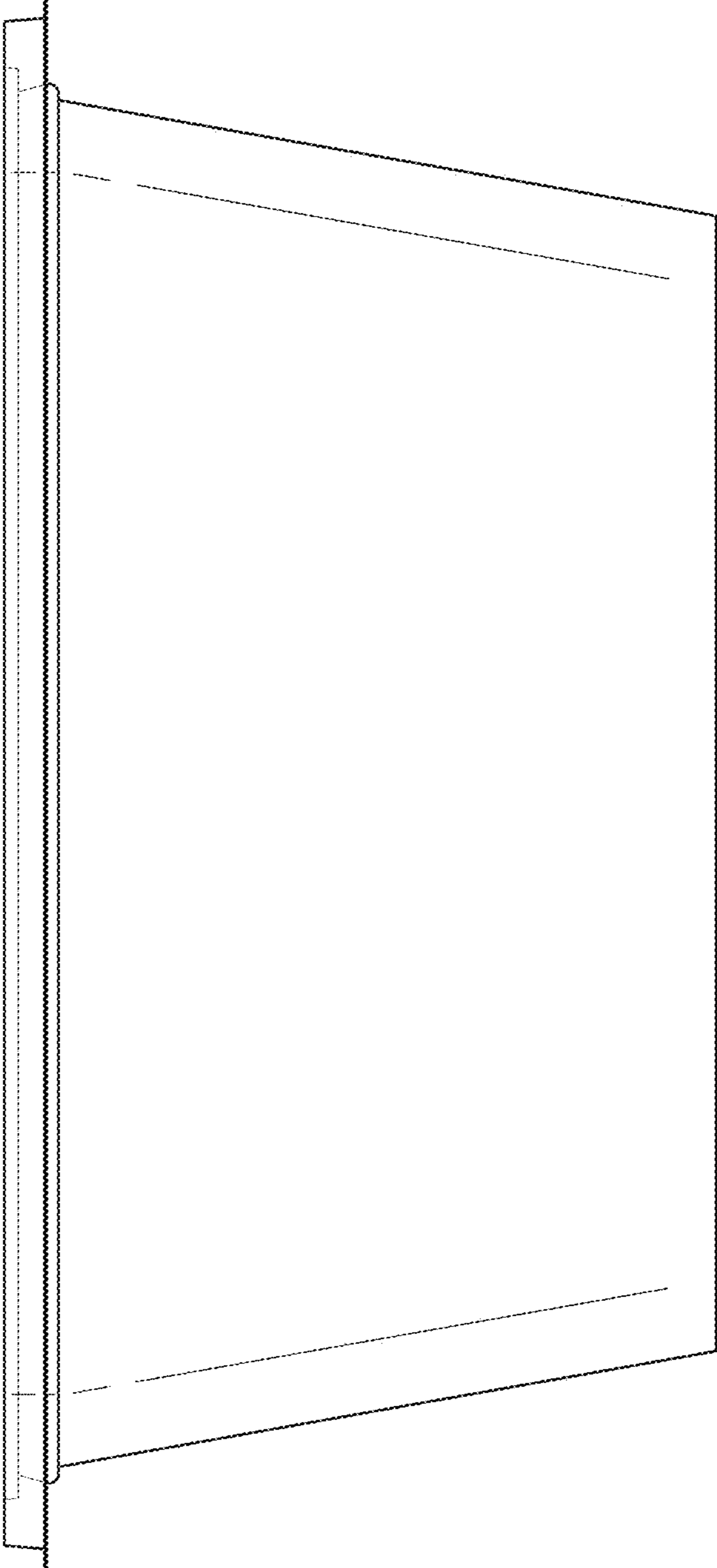


FIG. 10

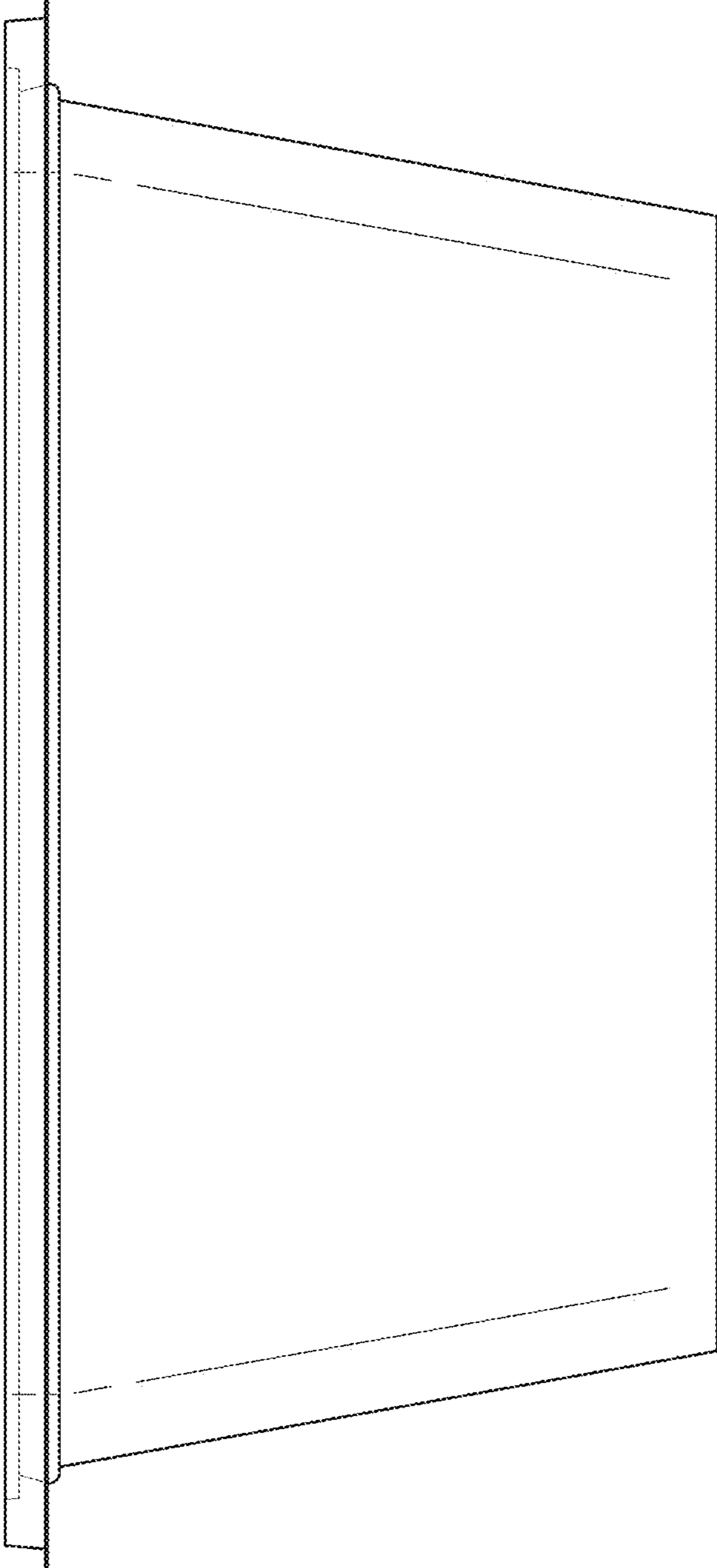


FIG. 11

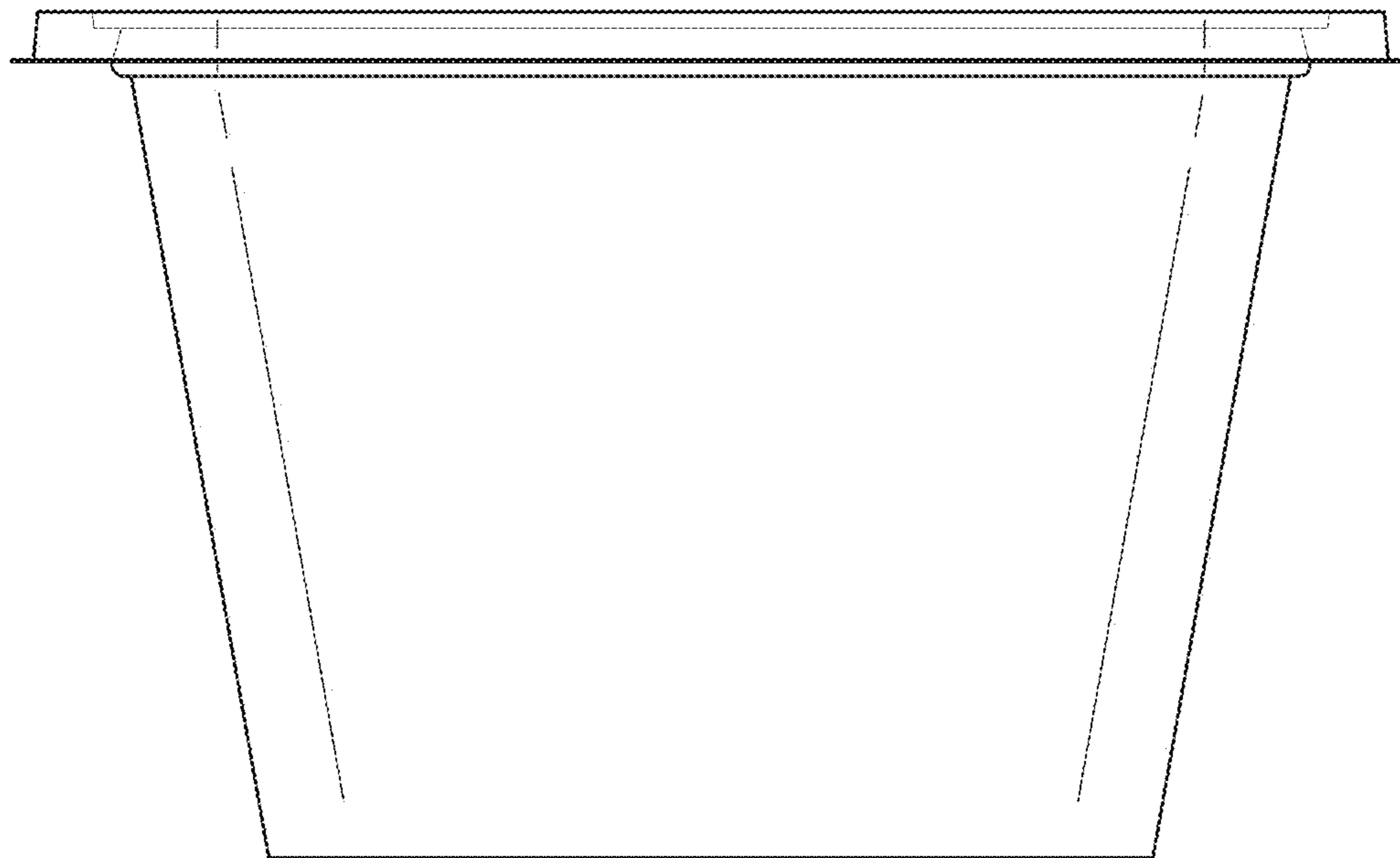


FIG. 12

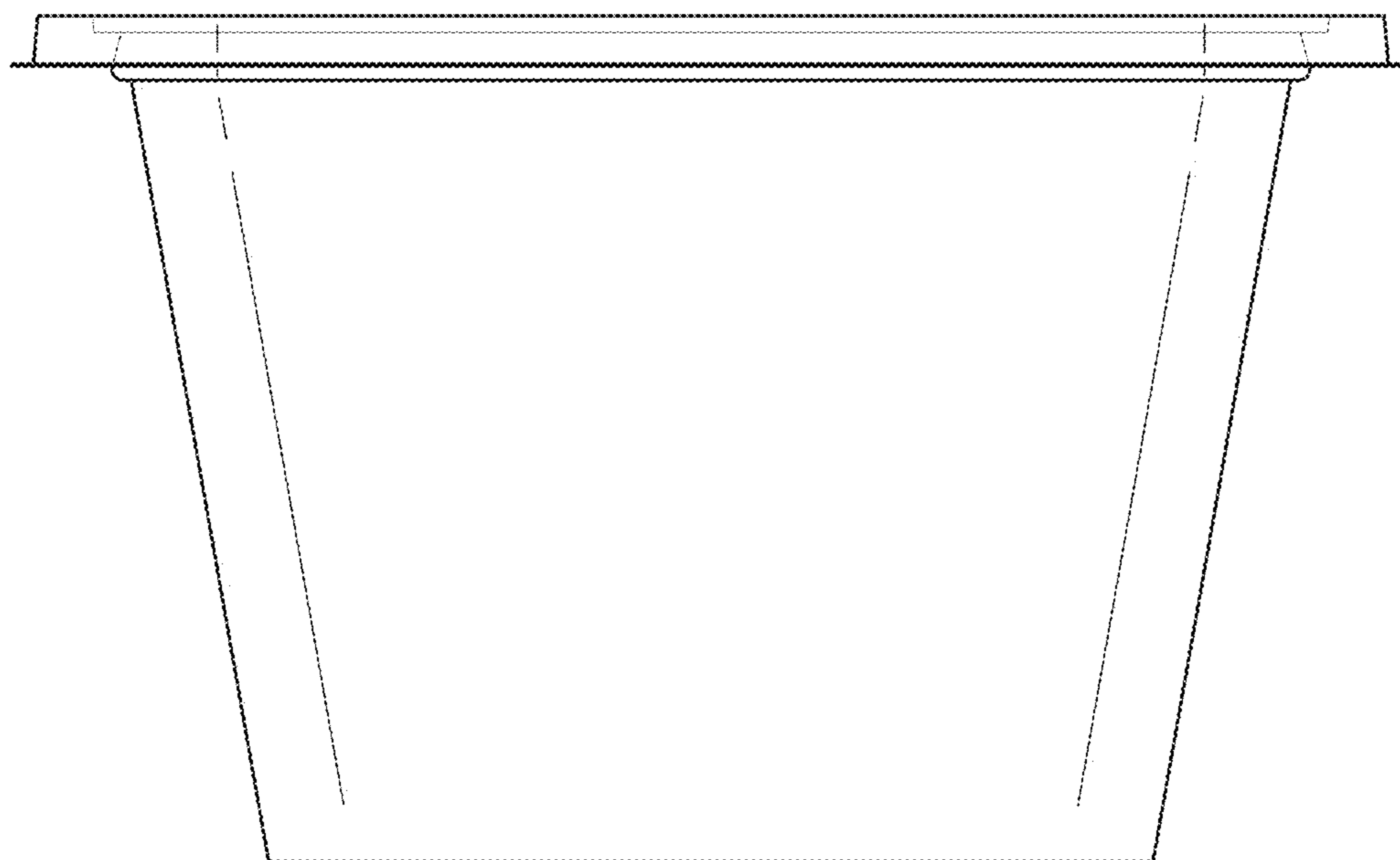


FIG. 13

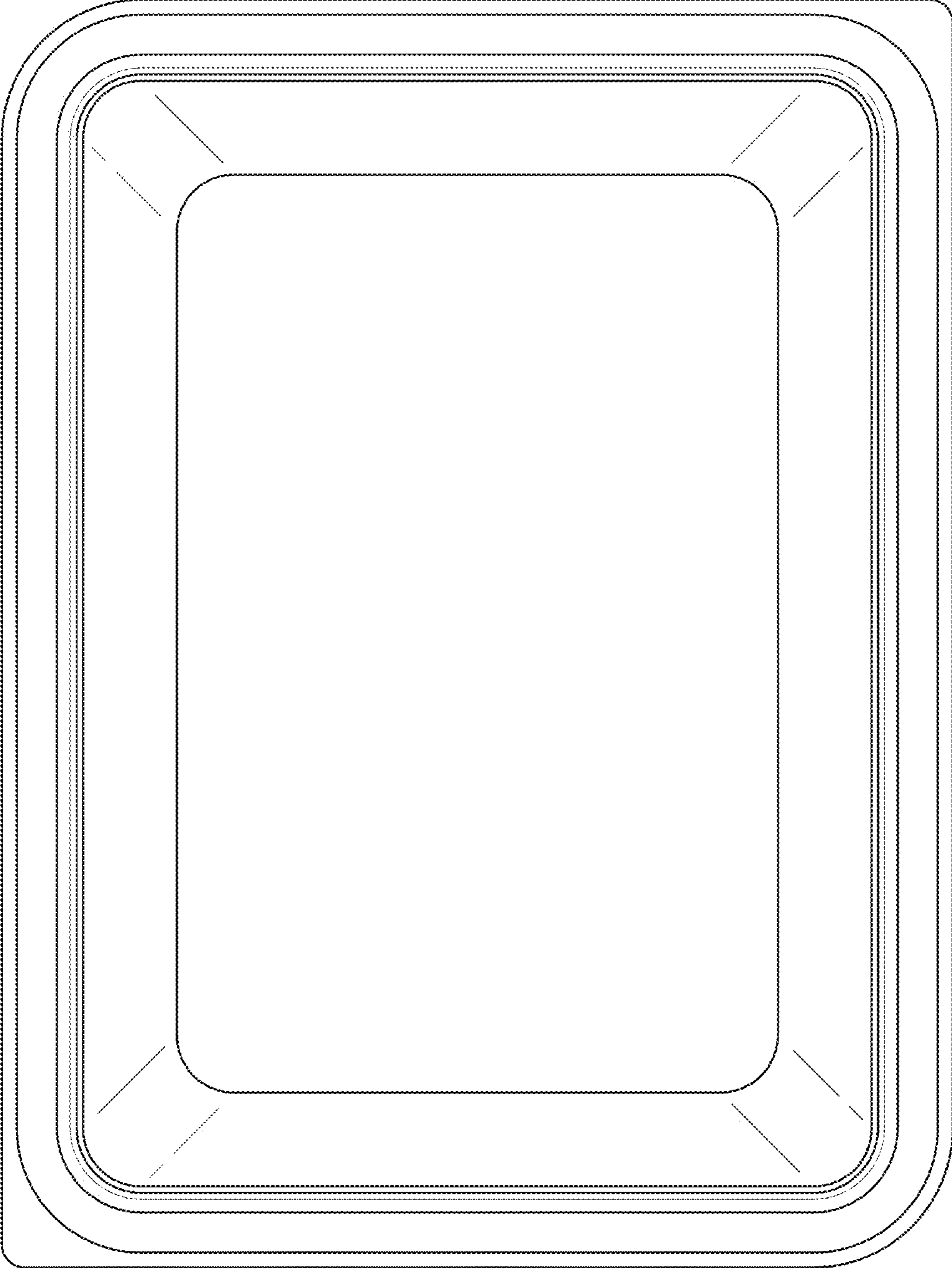


FIG. 14

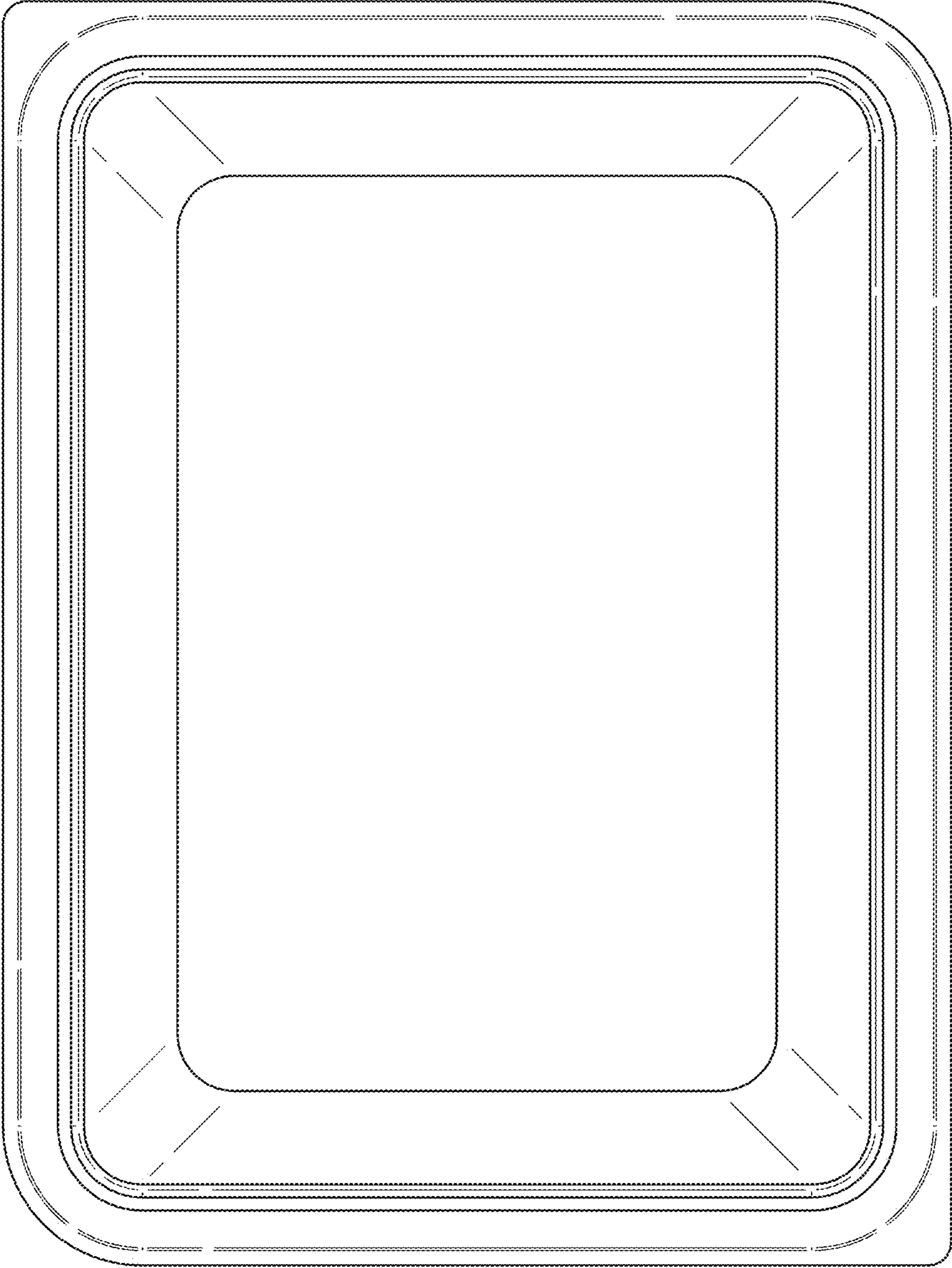


FIG. 15

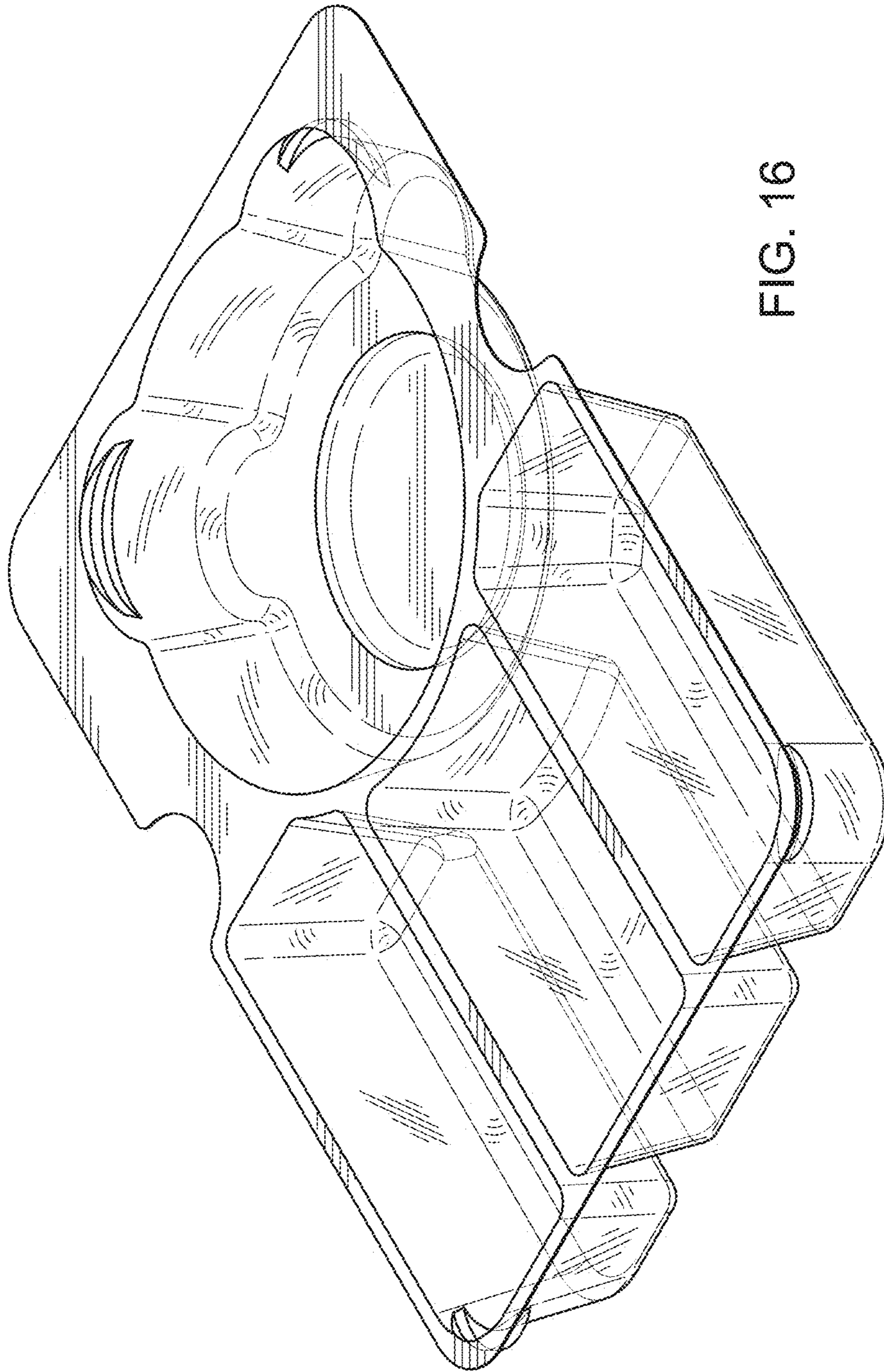


FIG. 16

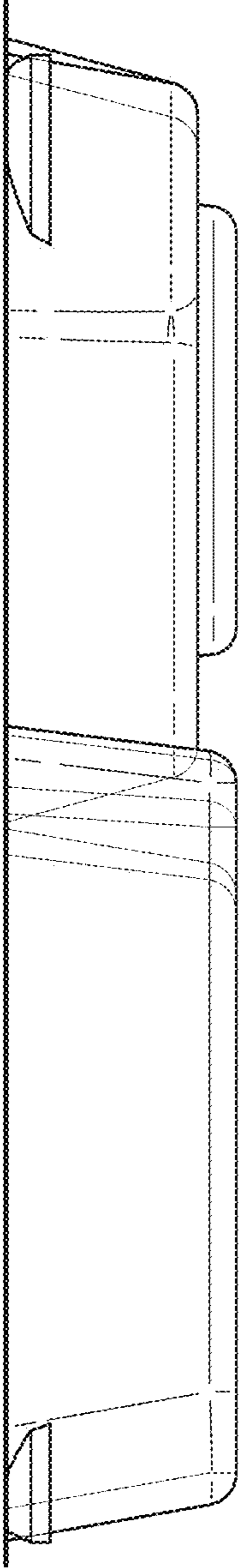


FIG. 17

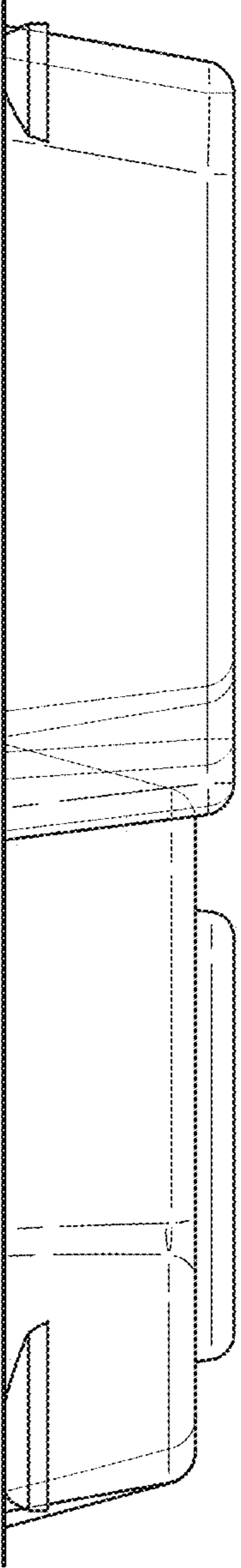


FIG. 18

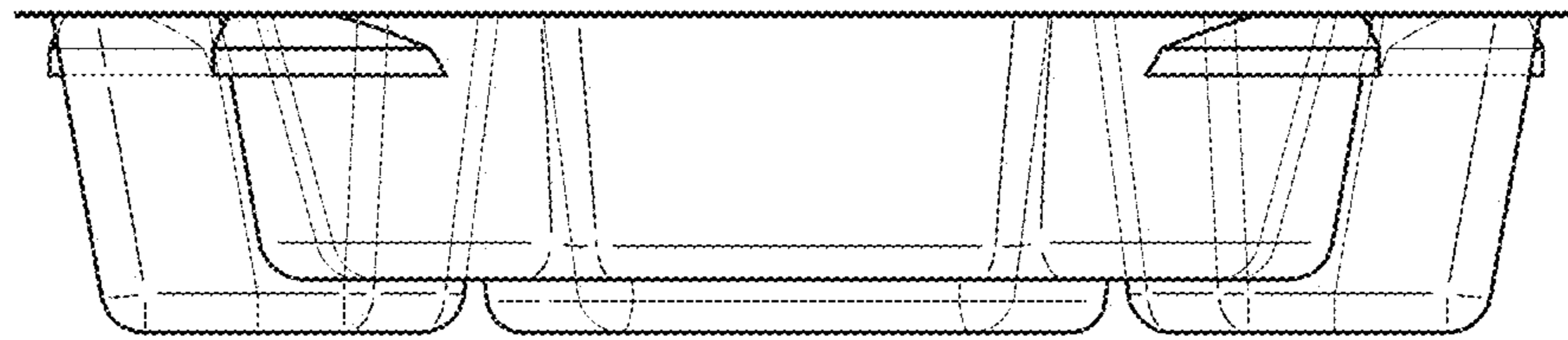


FIG. 19

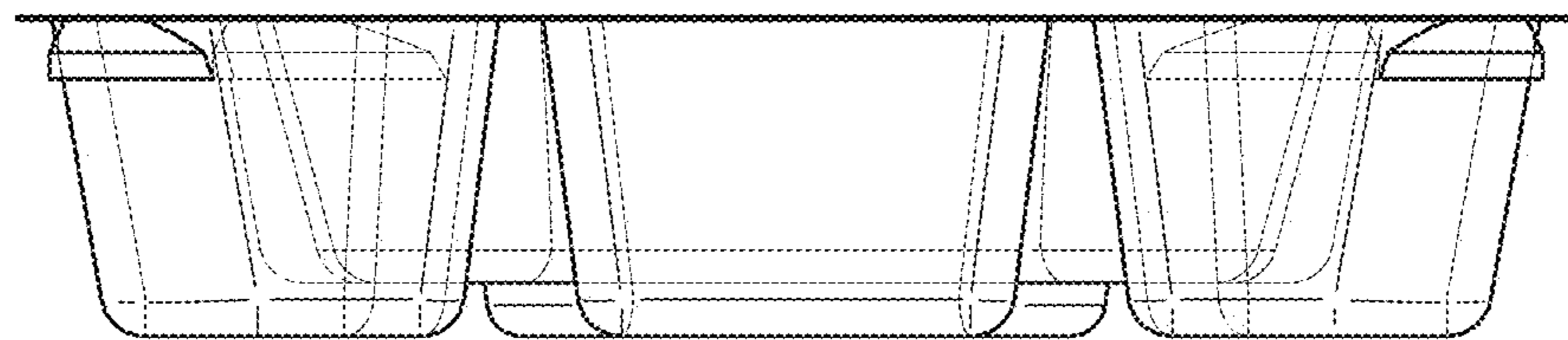


FIG. 20

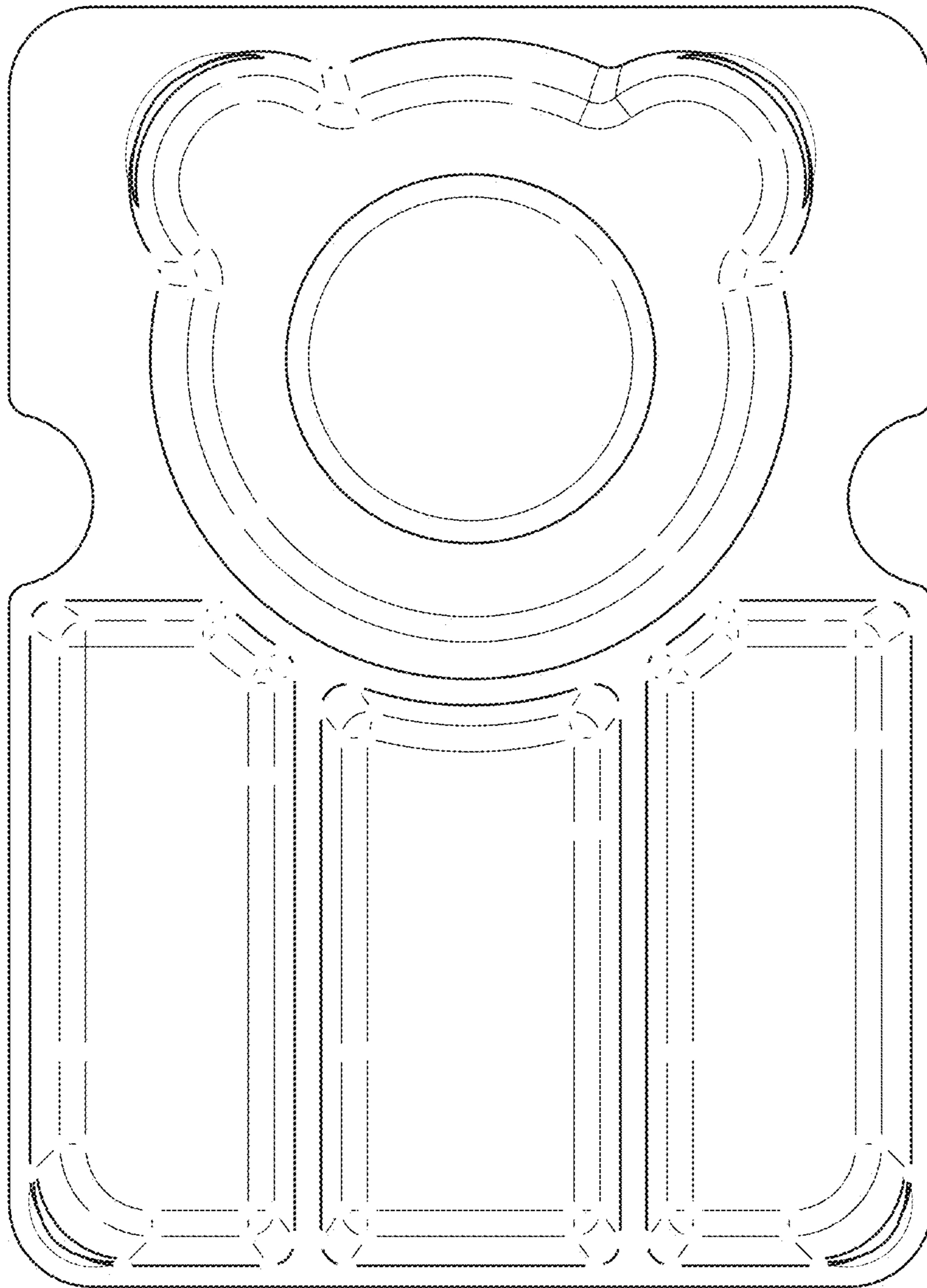


FIG. 21

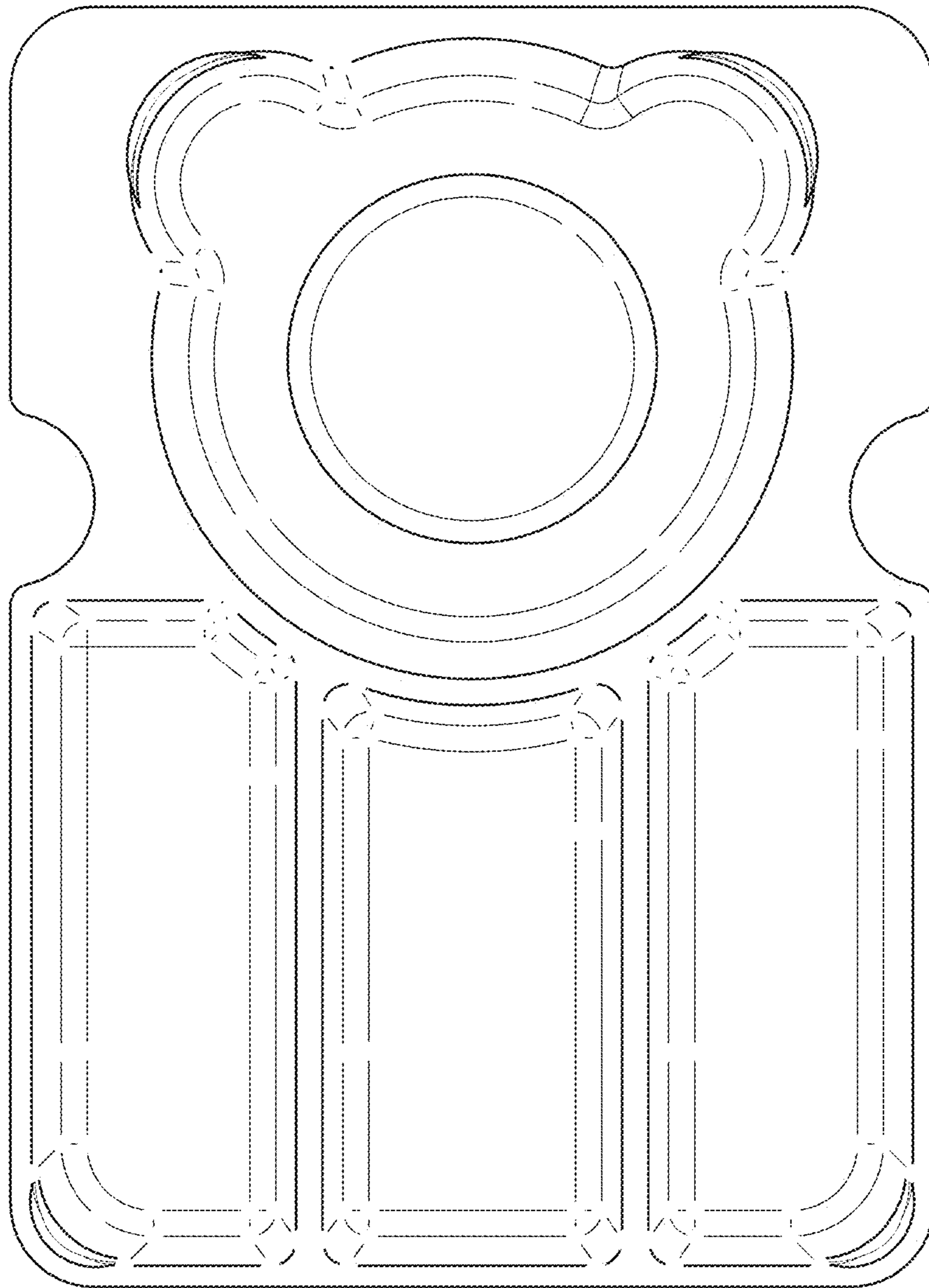


FIG. 22