



US00D872593S

(12) **United States Design Patent** (10) **Patent No.:** **US D872,593 S**
Longobardi (45) **Date of Patent:** **** *Jan. 14, 2020**

(54) **PACKAGE HAVING A DOUBLE BAND QUADRUPLE LOOP GIFT WRAPPING ARTICLE**

3,311,289 A 3/1967 French
3,366,313 A 1/1968 Culberg et al.
D254,637 S * 4/1980 Moore D11/3
4,910,051 A * 3/1990 Pickering D04D 7/10
223/46
5,004,144 A 4/1991 Selga
5,129,106 A * 7/1992 Liou A41D 20/00
2/411

(71) Applicant: **Linda R. Longobardi**, Glastonbury, CT (US)

(72) Inventor: **Linda R. Longobardi**, Glastonbury, CT (US)

(Continued)

(*) Notice: This patent is subject to a terminal disclaimer.

(**) Term: **15 Years**

(21) Appl. No.: **29/587,395**

(22) Filed: **Dec. 13, 2016**

(51) **LOC (12) Cl.** **09-03**

(52) **U.S. Cl.**
USPC **D9/721**; D9/419

(58) **Field of Classification Search**
USPC D11/184; D2/865, 894; D9/434, 721, D9/414, 419, 430, 432, 499; 2/412, 425, 2/DIG. 11; 428/4, 5, 121, 126, 542.2; 28/147; 223/46; 606/203; 132/274, 275; D3/274; 229/922, 923
CPC Y10S 2/11; A41D 20/00; A41D 20/005; A41D 23/00; A42C 5/02; D04D 7/10; A45D 8/04; B65D 5/4262; Y10T 24/1402; Y10T 24/1406
See application file for complete search history.

(56) **References Cited**

U.S. PATENT DOCUMENTS

1,892,722 A * 1/1933 Dodge B65D 63/10
206/410
2,071,976 A 2/1937 Hanson
2,157,193 A 5/1939 Webber et al.
3,276,671 A 10/1966 Fleitman

OTHER PUBLICATIONS

Knotted Jersey Headband Tutorial, available Apr. 30, 2012, [online], [site visited Nov. 25, 2018]. Available from internet, <URL: <http://www.lovestitched.com/my-tutorial/knotted-jersey-headband-tutorial/> (Year: 2012).*

(Continued)

Primary Examiner — W. A. Teddy Falloway
(74) *Attorney, Agent, or Firm* — UConn IP Law Clinic; Hao Zhang; Sara Bonaiuto

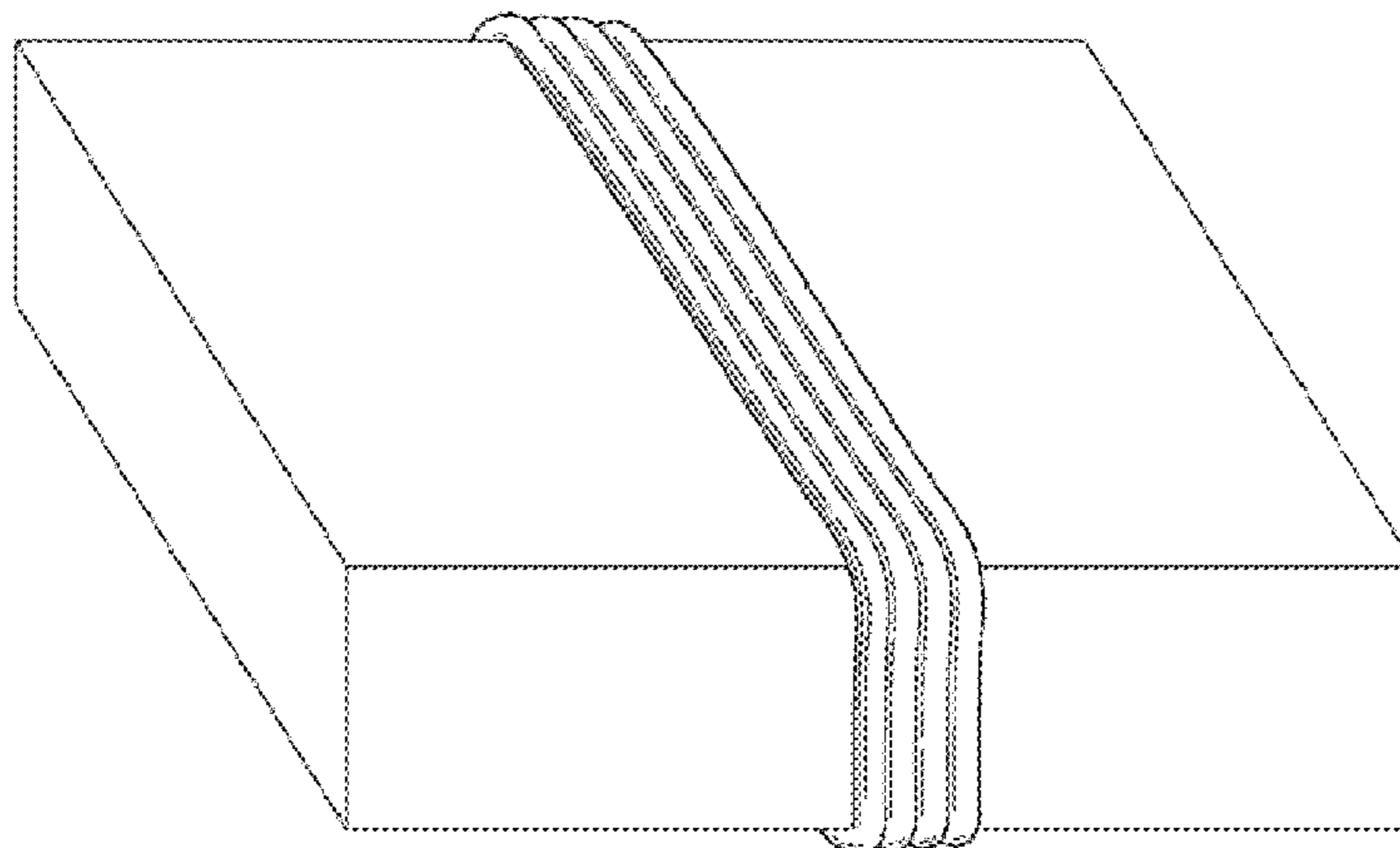
(57) **CLAIM**

The ornamental design for a package having a double band quadruple loop gift wrapping article, as shown and described.

DESCRIPTION

FIG. 1 is a perspective view of a package having a double band quadruple loop gift wrapping article.
FIG. 2 is a top view of the package having a double band quadruple loop gift wrapping article of FIG. 1, shown separately for completeness of illustration.
FIG. 3 is a side view thereof.
FIG. 4 is a perspective end view thereof.
FIG. 5 is a cross-sectional view thereof, taken along and in the direction of the section cut line as shown in FIG. 3; and, FIG. 6 is a perspective view of the package having a double band quadruple loop gift wrapping article of FIG. 2.

1 Claim, 3 Drawing Sheets



(56)

References Cited

U.S. PATENT DOCUMENTS

5,147,705 A * 9/1992 Lin A41F 19/00
2/336
5,169,702 A * 12/1992 Schell A01K 27/006
119/858
5,392,983 A 2/1995 Clarke-Bolling et al.
5,407,125 A 4/1995 Yates et al.
5,456,062 A 10/1995 Wechsler
5,529,395 A 6/1996 French
5,572,745 A * 11/1996 Mainus A41D 20/005
2/171.2
5,904,289 A 5/1999 Hagan
5,934,548 A 8/1999 Kenyon
6,295,992 B1 * 10/2001 Sapp A45D 8/34
132/200
D476,265 S * 6/2003 Lee D2/894
6,726,259 B2 * 4/2004 Kettler B21D 5/08
100/76
D503,884 S * 4/2005 Camilleri-Oller D9/419
7,007,308 B1 3/2006 Howland et al.
7,882,951 B2 * 2/2011 Zelina B65D 5/4262
206/457
8,128,288 B2 3/2012 Feeney
D680,007 S * 4/2013 Gavrieli D9/635
D703,531 S * 4/2014 Gavrieli A43B 3/248
D9/432
D728,158 S * 4/2015 Beaugureau D28/41
9,174,783 B1 11/2015 Grabell et al.

D757,931 S * 5/2016 Pulie D24/118
D785,246 S * 4/2017 Ethington D28/41
9,936,748 B1 * 4/2018 Pinto A41D 23/00
D847,428 S * 4/2019 Sze D28/41
2007/0041670 A1 2/2007 Spizman et al.
2010/0064634 A1 3/2010 Hughes et al.
2010/0127053 A1 5/2010 Johnson
2010/0127055 A1 * 5/2010 Zelina B65D 5/3628
229/116.5

OTHER PUBLICATIONS

Regift The Wrap, LLC (via Facebook), available Dec. 20, 2016, [online], [site visited Nov. 25, 2018]. Available from internet, <URL: https://www.facebook.com/pg/regiftthewrap/photos/?ref=page_internal (Year: 2016).*

Pinwheels Combo Pack—Includes 2 stretch sleeves and 2 coordinated bands, available Nov. 9, 2018, [online], [site visited Nov. 25, 2018]. Available from internet, <URL: <http://regiftthewrap.com/pinwheels-combo-pack-includes-2-stretch-sleeves-and-2-coordinated-bands/> (Year: 2018).*

My Heating Pad—Multi Purpose Wrap (via amazon.com), available Nov. 8, 2015, [online], [site visited Nov. 25, 2018]. Available from internet, <URL: <https://www.amazon.com/My-Heating-Pad-Multi-Purpose/dp/B01417VD9C/ref=pd> (Year: 2015).*

www.wrapeez.com/shop/ (downloaded from the web on Dec. 9, 2016).

* cited by examiner

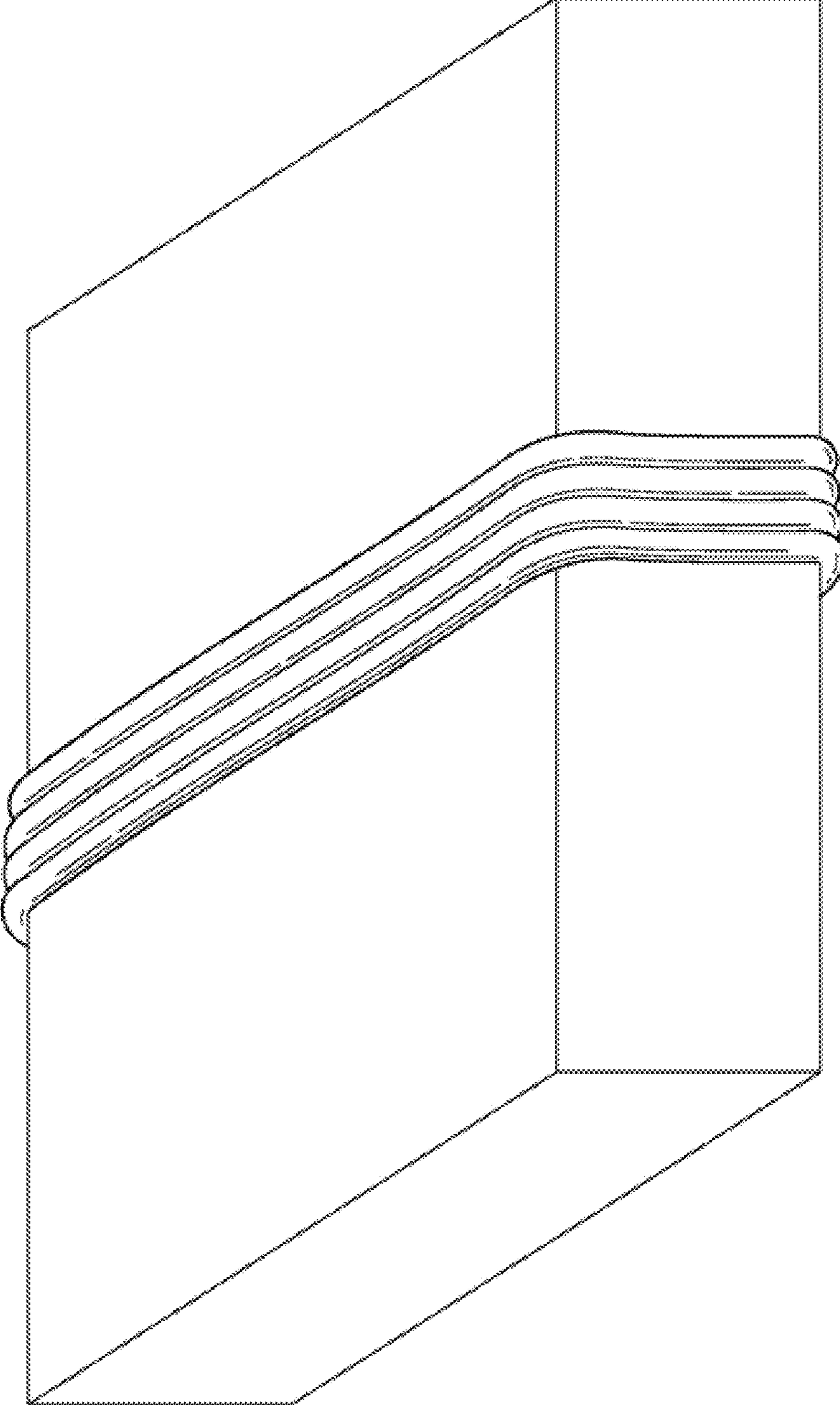


FIG. 1

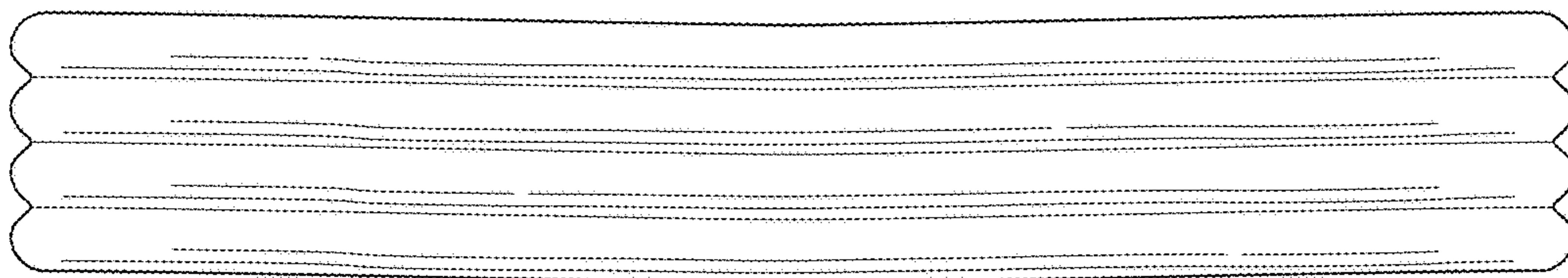


FIG. 2

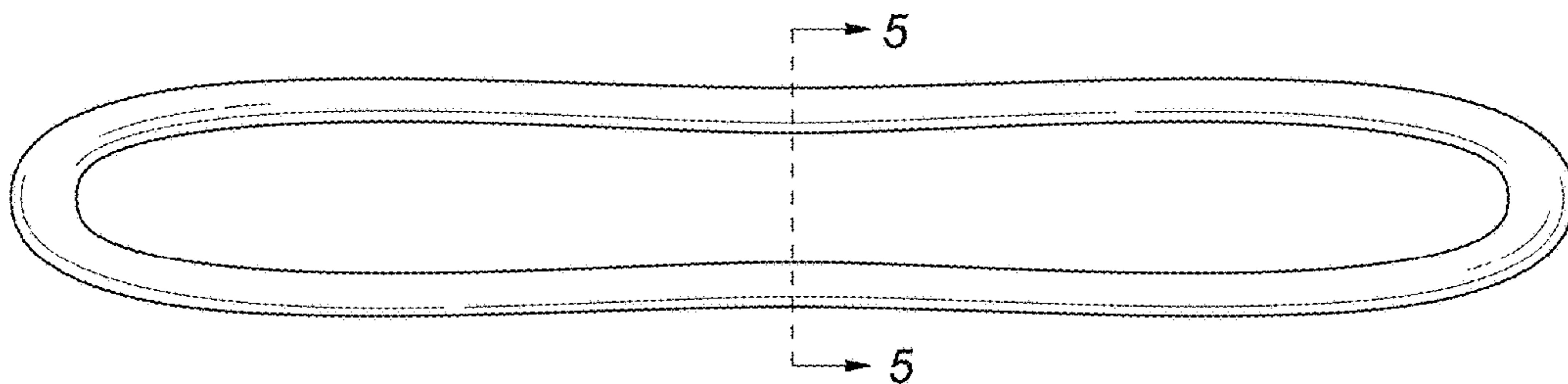


FIG. 3

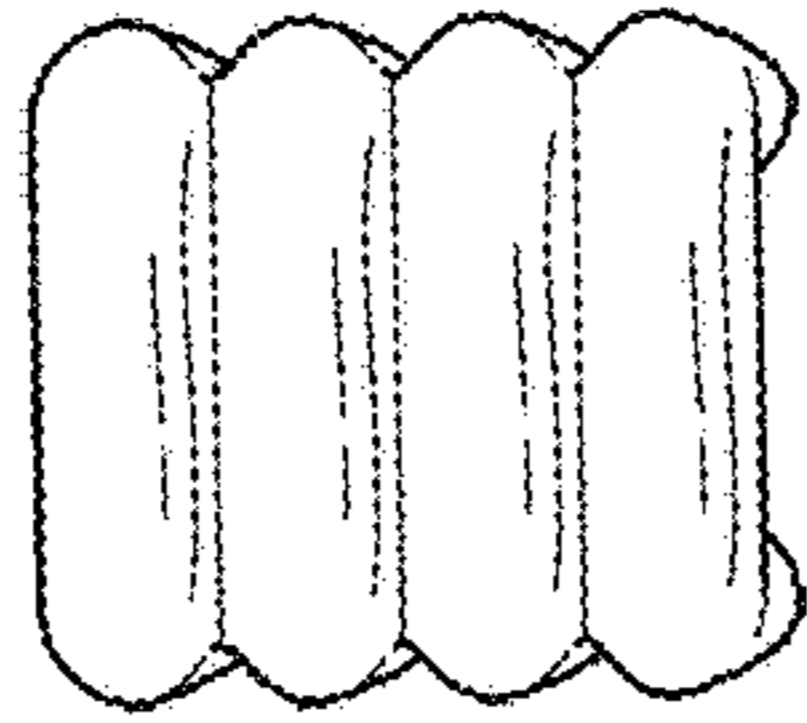


FIG. 4

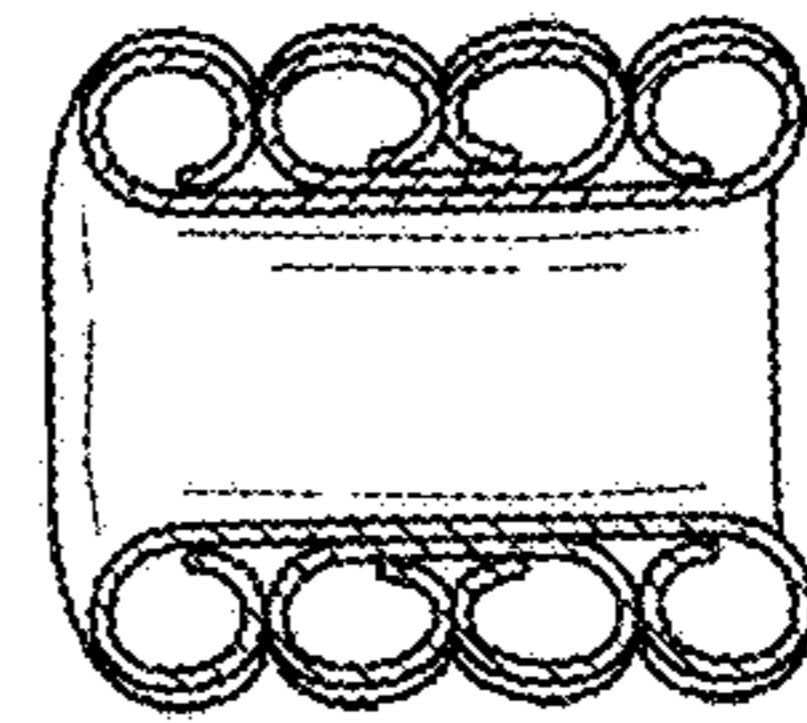


FIG. 5

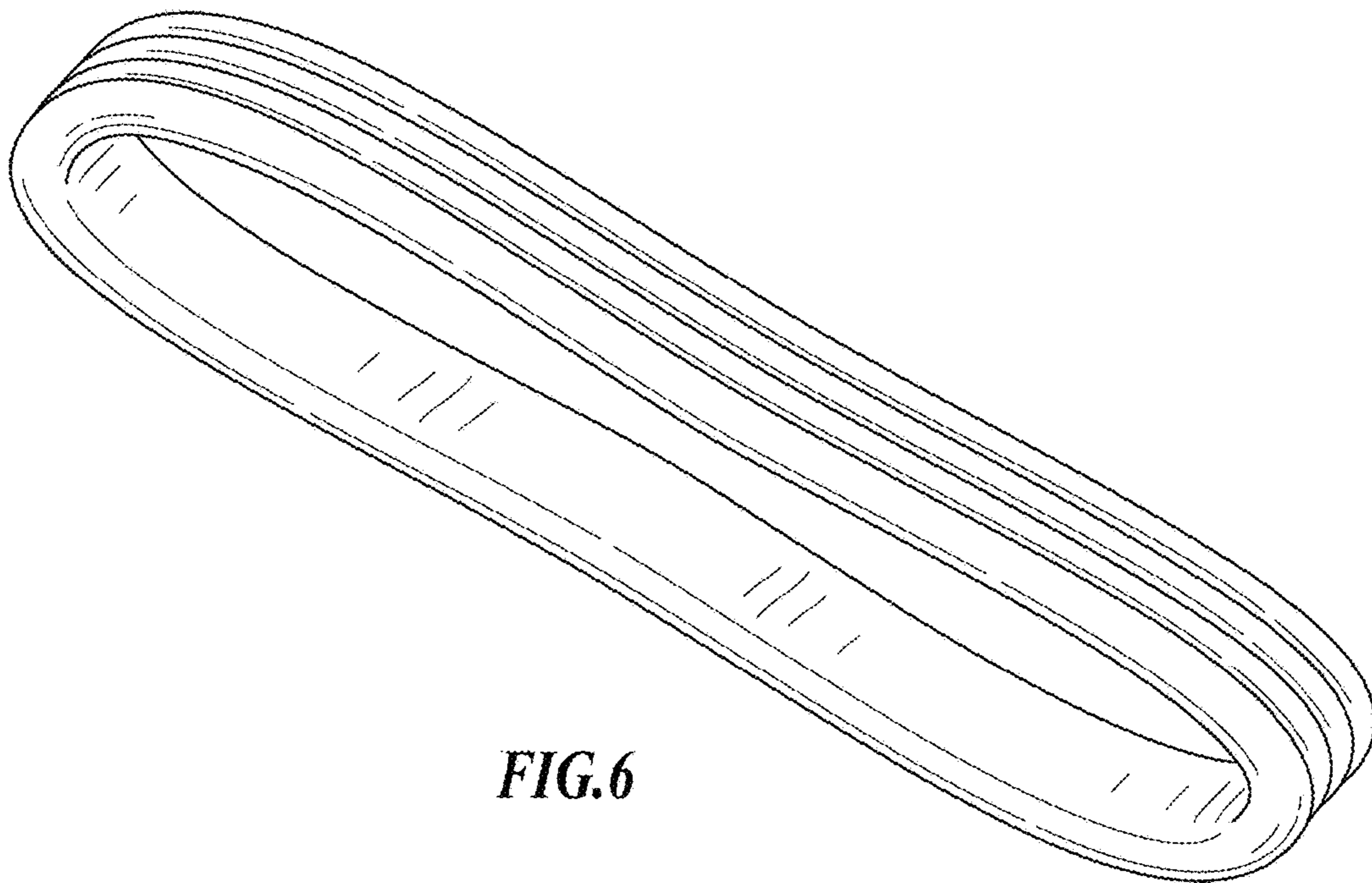


FIG. 6