



US00D872590S

(12) **United States Design Patent** (10) **Patent No.:** **US D872,590 S**  
**Vivas** (45) **Date of Patent:** **\*\* Jan. 14, 2020**

(54) <b>PERFUME BOTTLE</b>	2,546,122 A * 3/1951 Goldfarb ..... A47G 19/2222 D7/392.1
(71) Applicant: <b>Penhaligon's Limited</b> , London (GB)	D224,998 S * 10/1972 Sayre et al. .... D9/611 D347,573 S * 6/1994 Bishop ..... D9/611
(72) Inventor: <b>Josep Vivas</b> , Barcelona (ES)	D424,424 S * 5/2000 Indelicato ..... D9/611 D572,142 S * 7/2008 Baldwin ..... D9/611
(73) Assignee: <b>PENHALIGON'S LIMITED</b> , London (GB)	D628,492 S * 12/2010 Kim ..... D9/611 D712,272 S * 9/2014 Veletakos ..... D9/601 D725,478 S * 3/2015 Huang ..... A47G 19/2222 D9/611
(**) Term: <b>15 Years</b>	D798,151 S * 9/2017 Vivas ..... D9/611 D798,153 S * 9/2017 Vivas ..... B65D 81/365 D9/451
(21) Appl. No.: <b>29/657,735</b>	

(22) Filed: **Jul. 25, 2018**

(30) **Foreign Application Priority Data**

Jan. 26, 2018 (EM) ..... 004682631

(51) **LOC (12) Cl.** ..... **09-01**

(52) **U.S. Cl.**  
USPC ..... **D9/611; D9/451**

(58) **Field of Classification Search**  
USPC .... D3/270, 271.1-271.4; D7/510, 514-520,  
D7/539, 544, 599, 604, 613, 619.2, 623,  
D7/628, 392.1; D9/600-613, 434-454;  
206/457, 459.5, 527; 215/381-384, 400  
CPC ..... B65D 5/42; B65D 5/4258; B65D 81/60;  
B65D 81/365; B65D 81/366; B65D  
81/368; B65D 2203/00; B65D 2203/02;  
B65D 67/00; A63H 33/16  
See application file for complete search history.

(56) **References Cited**

**U.S. PATENT DOCUMENTS**

D141,322 S *	5/1945 Ganz .....	D7/613
2,543,850 A *	3/1951 Henricson .....	B65D 81/365 D9/451

\* cited by examiner

*Primary Examiner* — Sandra L Morris

(74) *Attorney, Agent, or Firm* — Day Pitney LLP

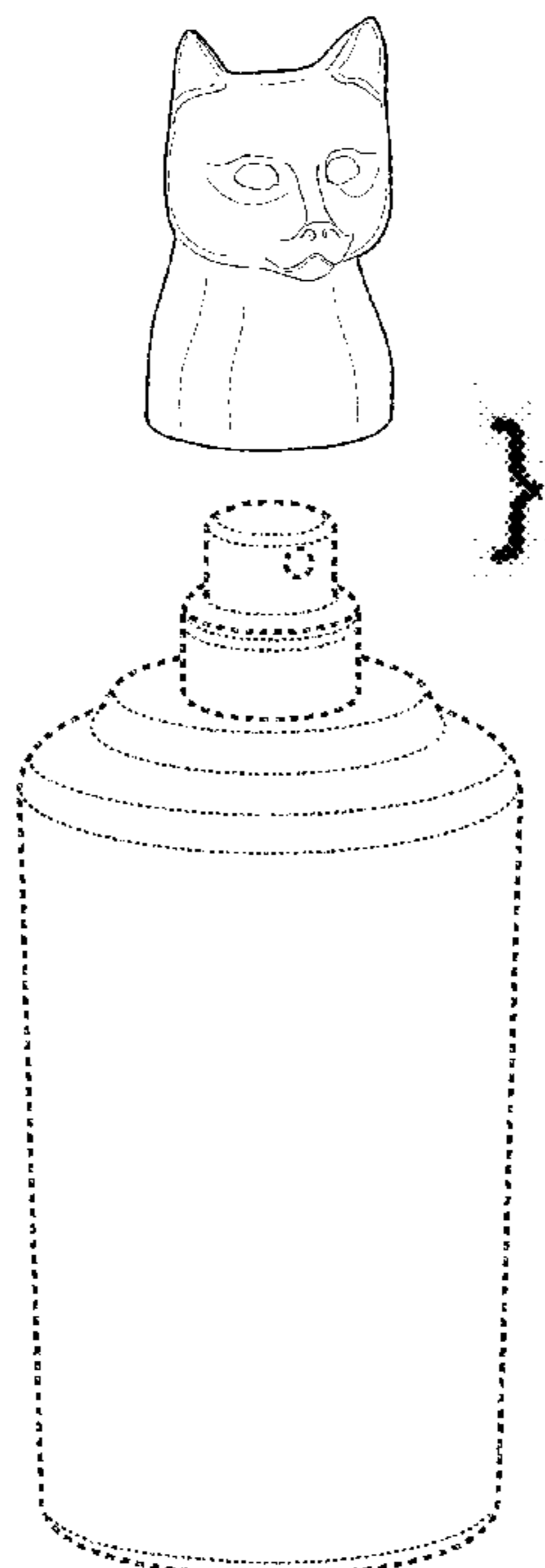
(57) **CLAIM**

The ornamental design for a perfume bottle, as shown and described.

**DESCRIPTION**

FIG. 1 is a front exploded view of my ornamental design for a perfume bottle with cap removed from the bottle; FIG. 2 is top plan view thereof; FIG. 3 is rear elevational view thereof; FIG. 4 is left side view thereof; FIG. 5 is a front elevational view thereof; and, FIG. 6 is right side view thereof. The broken lines in each of the figures are for environmental purposes only and form no part of the claimed design.

**1 Claim, 6 Drawing Sheets**



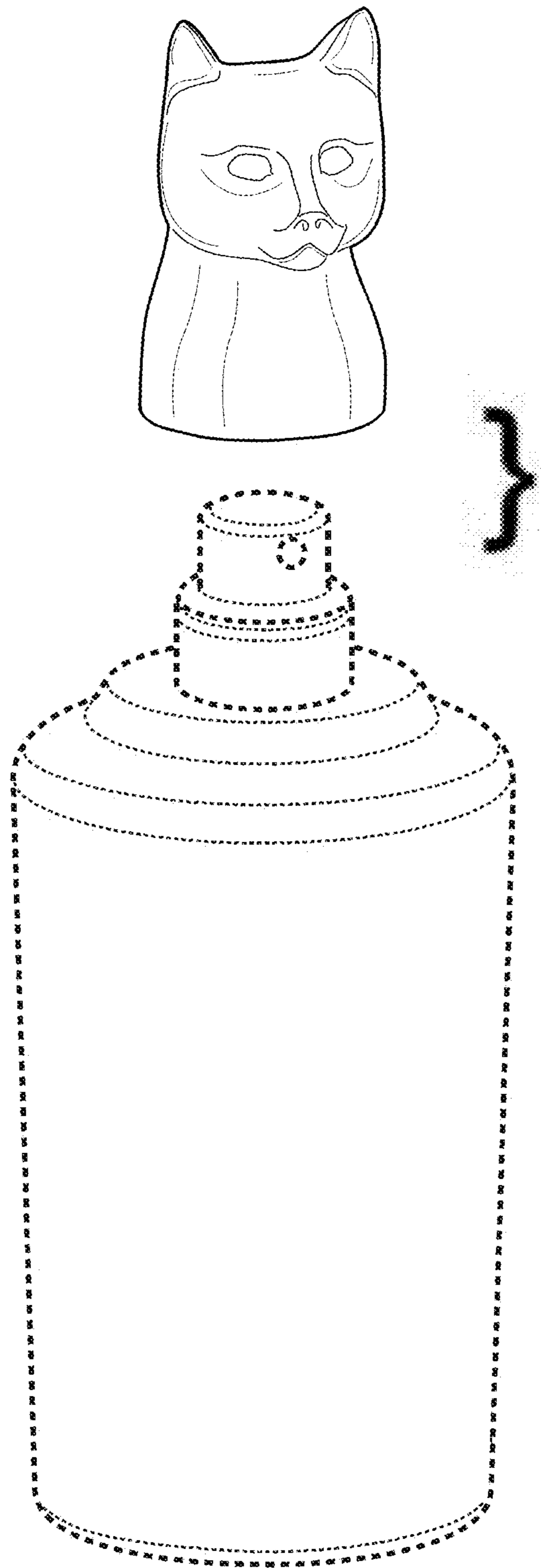
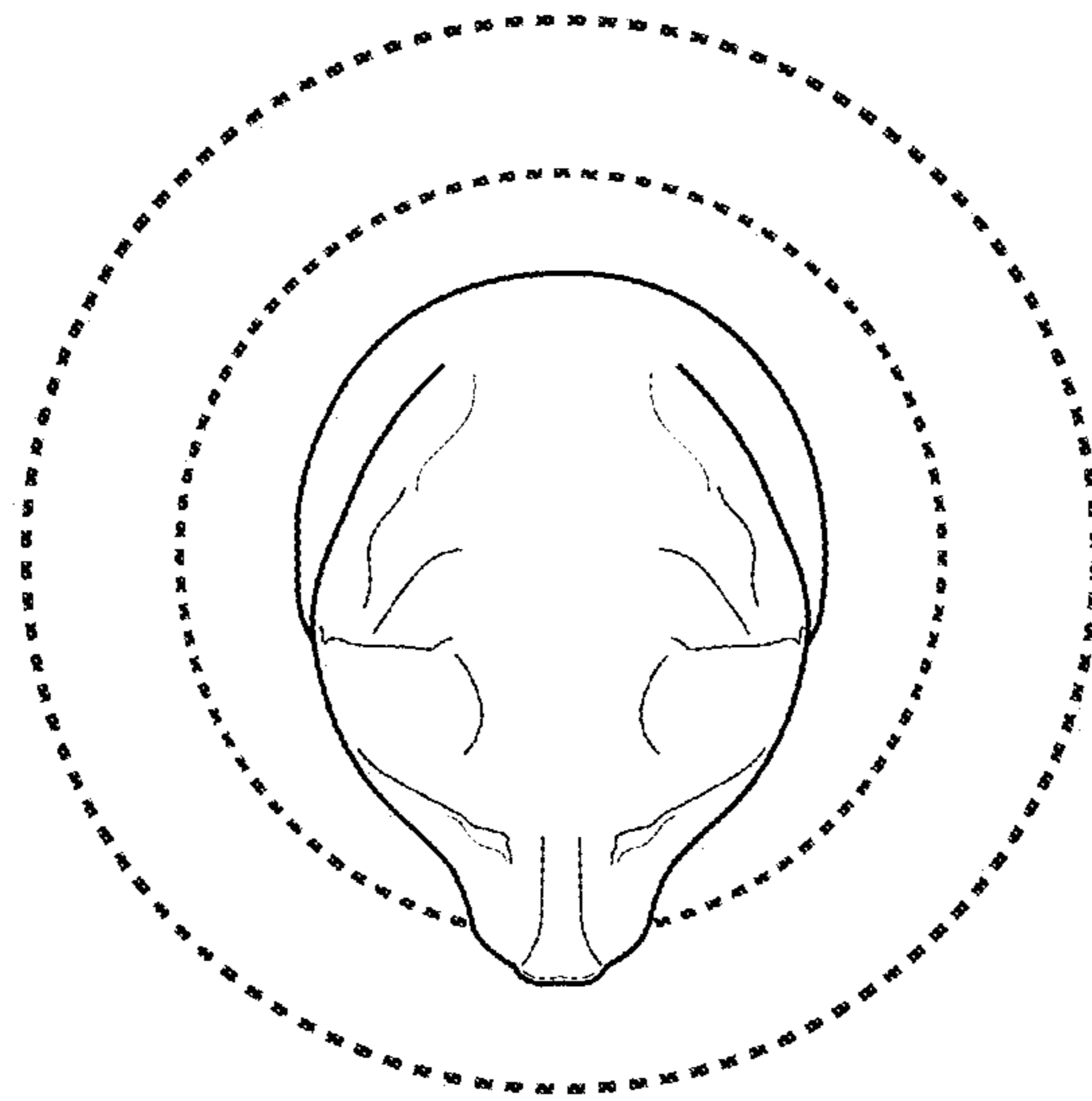
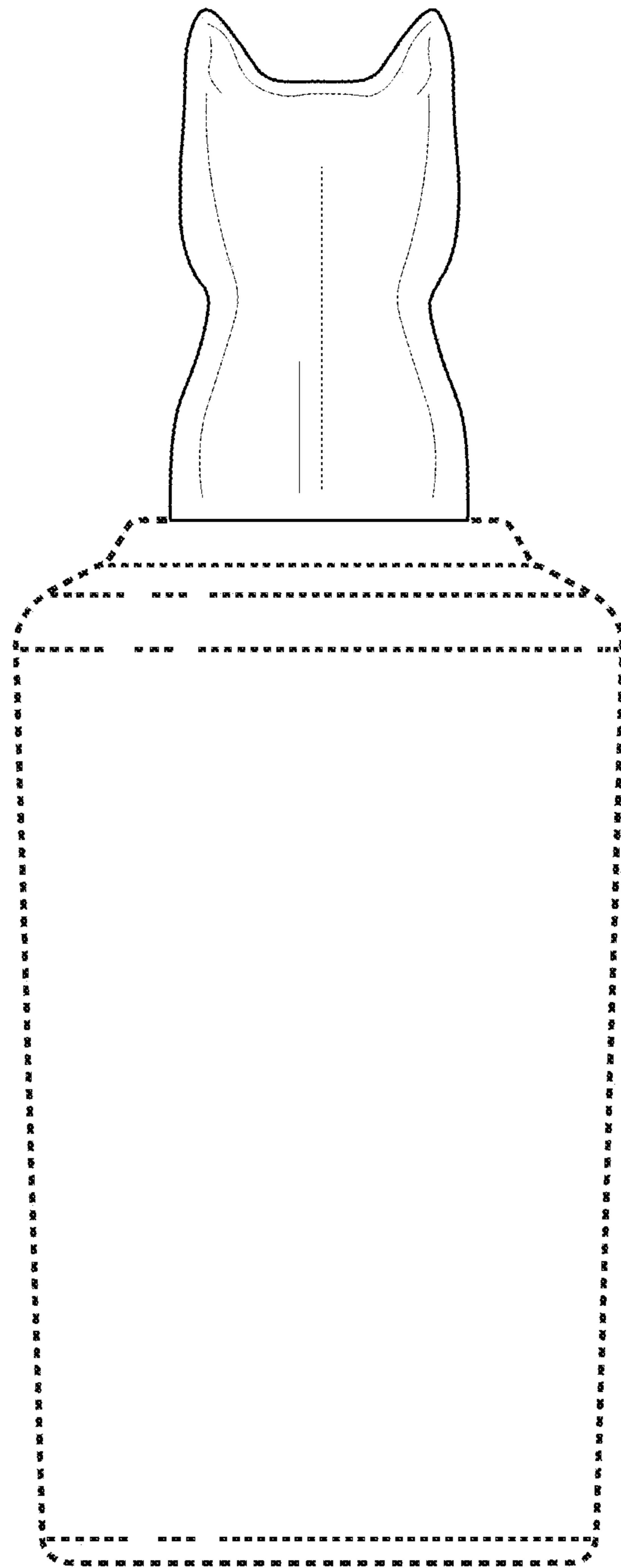


FIG. 1



**FIG. 2**



**FIG. 3**

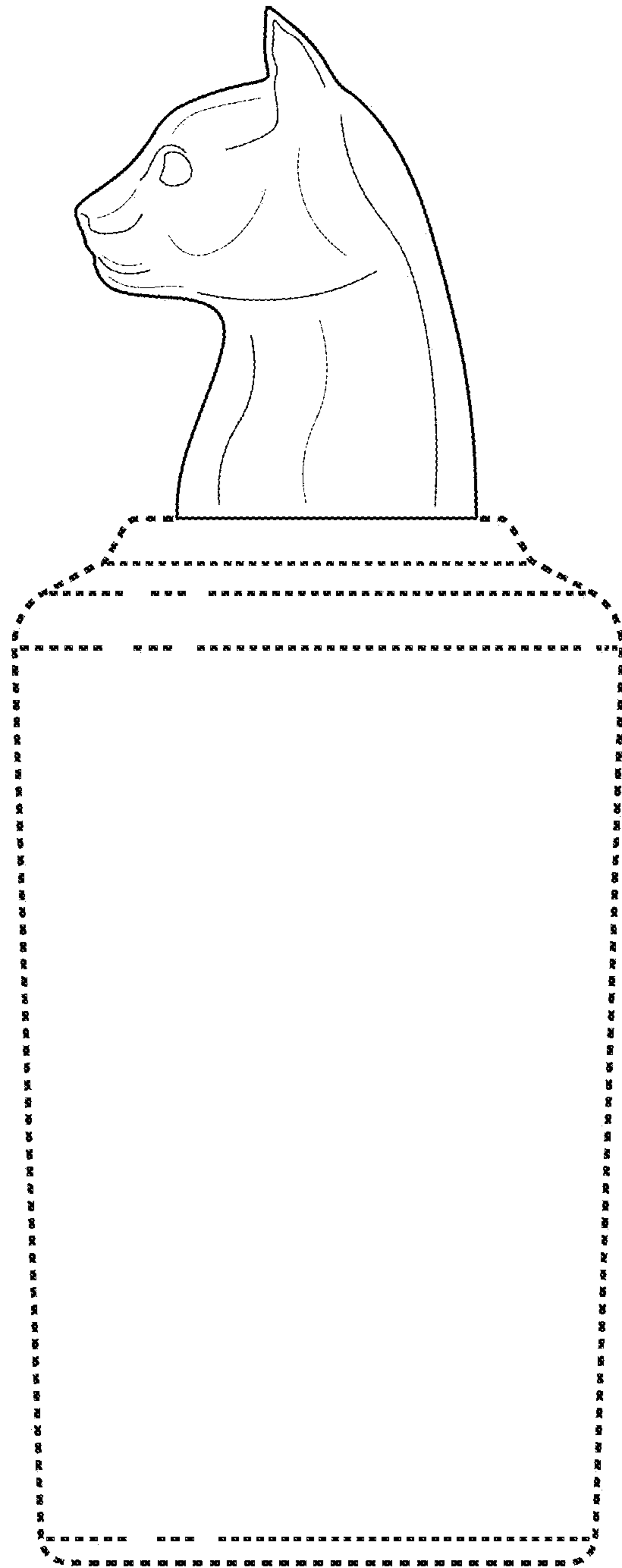


FIG. 4

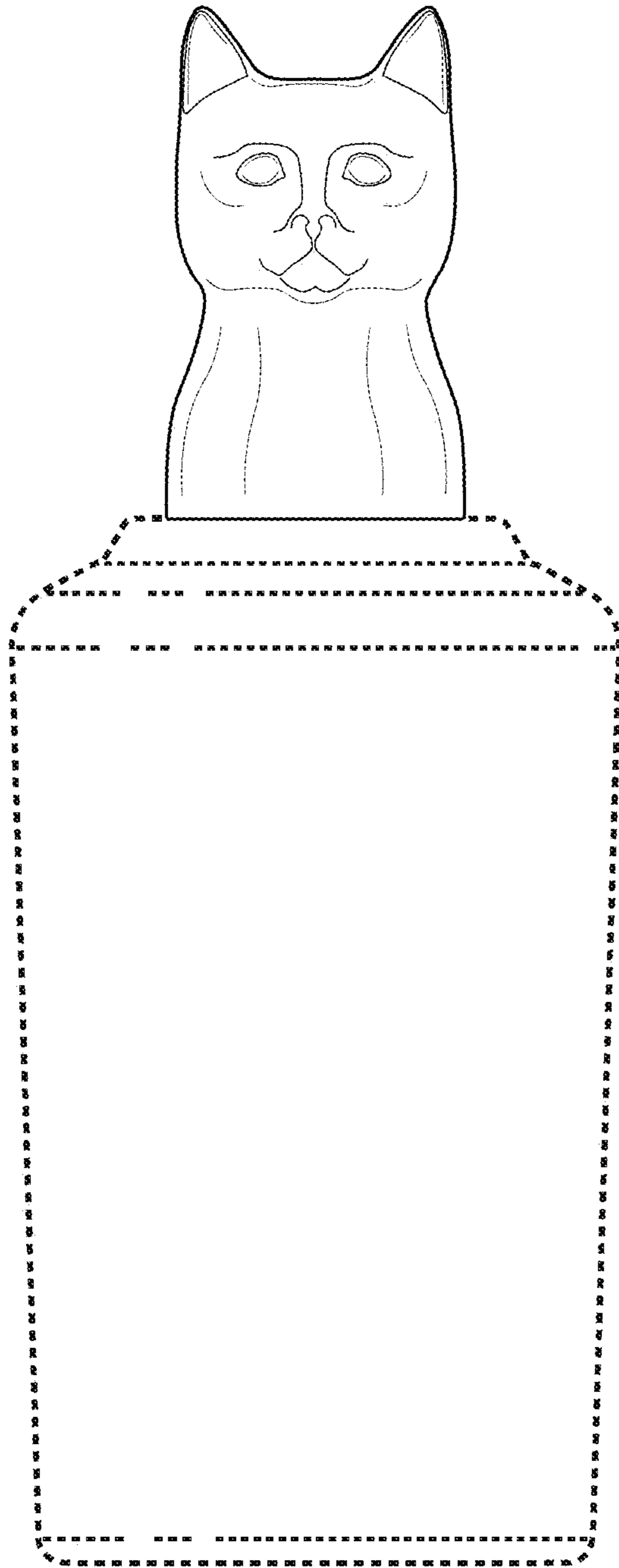


FIG. 5

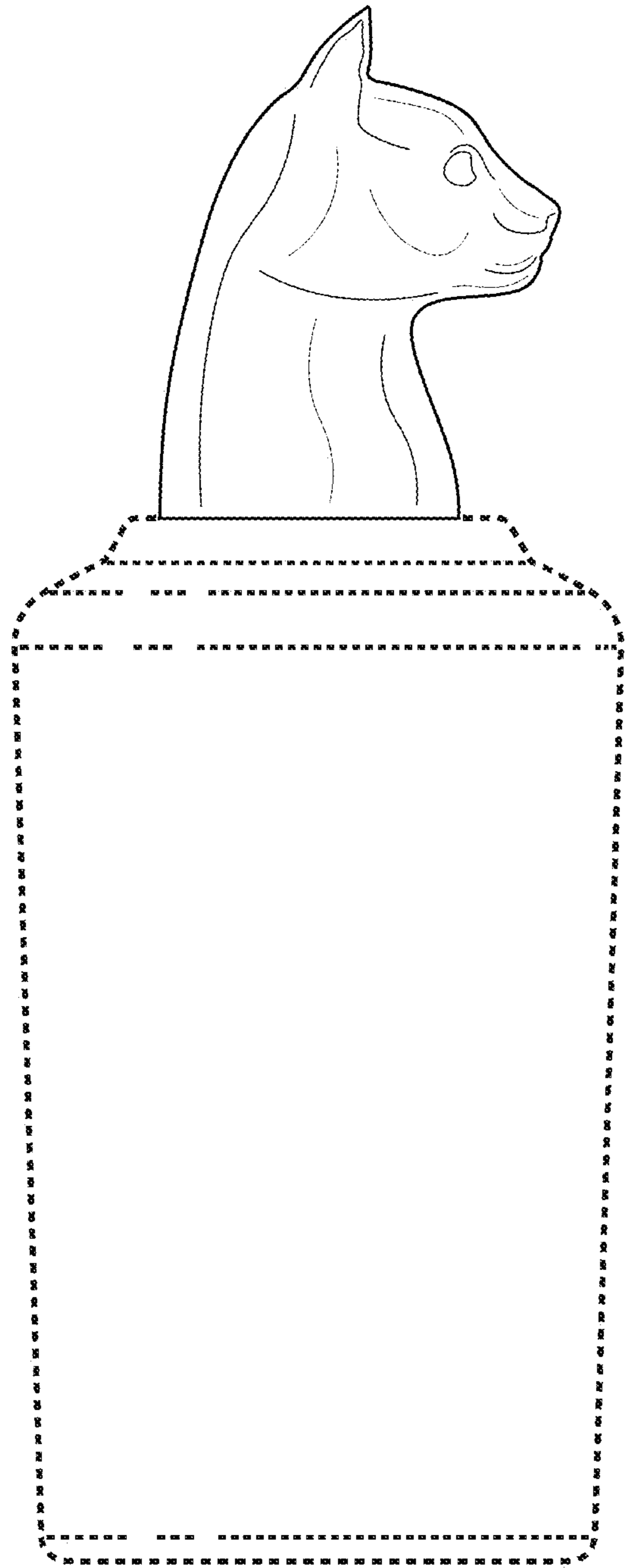


FIG. 6