



US00D872589S

(12) **United States Design Patent** (10) **Patent No.:** **US D872,589 S**
Vivas (45) **Date of Patent:** **** Jan. 14, 2020**

(54) **PERFUME BOTTLE**
(71) Applicant: **Penhaligon's Limited**, London (GB)
(72) Inventor: **Josep Vivas**, Barcelona (ES)
(73) Assignee: **PENHALIGON'S LIMITED**, London (GB)
(**) Term: **15 Years**
(21) Appl. No.: **29/657,737**

(22) Filed: **Jul. 25, 2018**
(30) **Foreign Application Priority Data**
Jan. 26, 2018 (EM) 004682631
(51) **LOC (12) Cl.** **09-01**
(52) **U.S. Cl.**
USPC **D9/607; D9/451**
(58) **Field of Classification Search**
USPC D3/270, 271.1-271.4; D7/510, 514-520, D7/539, 544, 599, 604, 613, 619.2, 623, D7/628, 392.1; D9/600-613, 434-454; 206/457, 459.5, 527; 215/381-384, 400
CPC B65D 5/42; B65D 5/4258; B65D 81/60; B65D 81/365; B65D 81/366; B65D 81/368; B65D 2203/00; B65D 2203/02; B65D 67/00; A63H 33/16
See application file for complete search history.

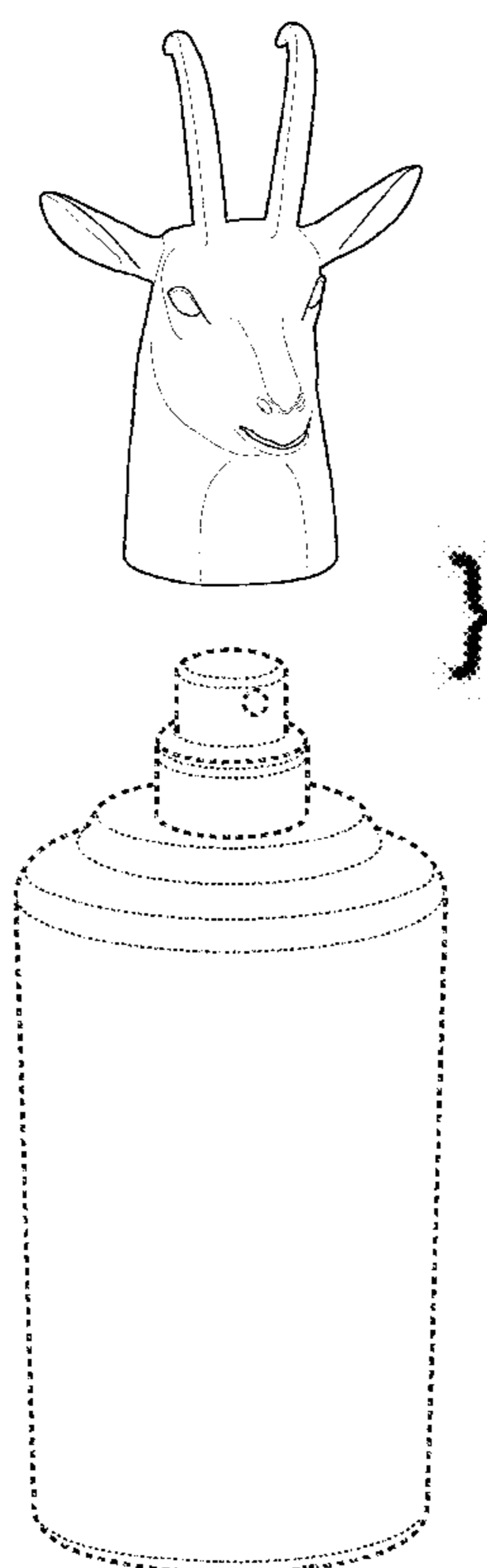
(56) **References Cited**
U.S. PATENT DOCUMENTS
D60,202 S * 1/1922 Quinby D9/607
D151,520 S * 10/1948 Liello D9/607
2,543,850 A * 3/1951 Henricson B65D 81/365
D9/451
D299,695 S * 2/1989 Hine D9/607
D686,039 S * 7/2013 Eubank B65D 81/365
D7/515
D712,272 S * 9/2014 Veletakos D9/607
D798,152 S * 9/2017 Vivas D9/607

* cited by examiner
Primary Examiner — Sandra L Morris
(74) *Attorney, Agent, or Firm* — Day Pitney LLP

(57) **CLAIM**
The ornamental design for a perfume bottle, as shown and described.

DESCRIPTION
FIG. 1 is a front exploded view of my ornamental design for a perfume bottle with cap removed from the bottle; FIG. 2 is top plan view thereof; FIG. 3 is rear elevational view thereof; FIG. 4 is left side view thereof; FIG. 5 is a front elevational view thereof; and, FIG. 6 is right side view thereof.
The broken lines in each of the figures are for environmental purposes only and form no part of the claimed design.

1 Claim, 6 Drawing Sheets



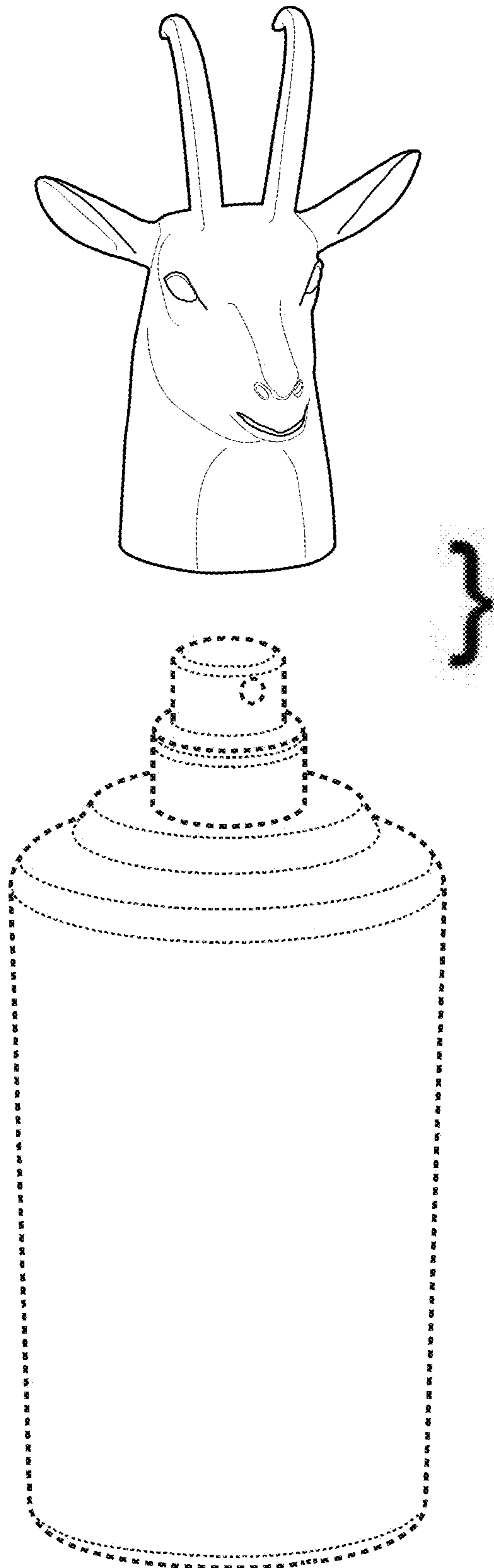


FIG. 1

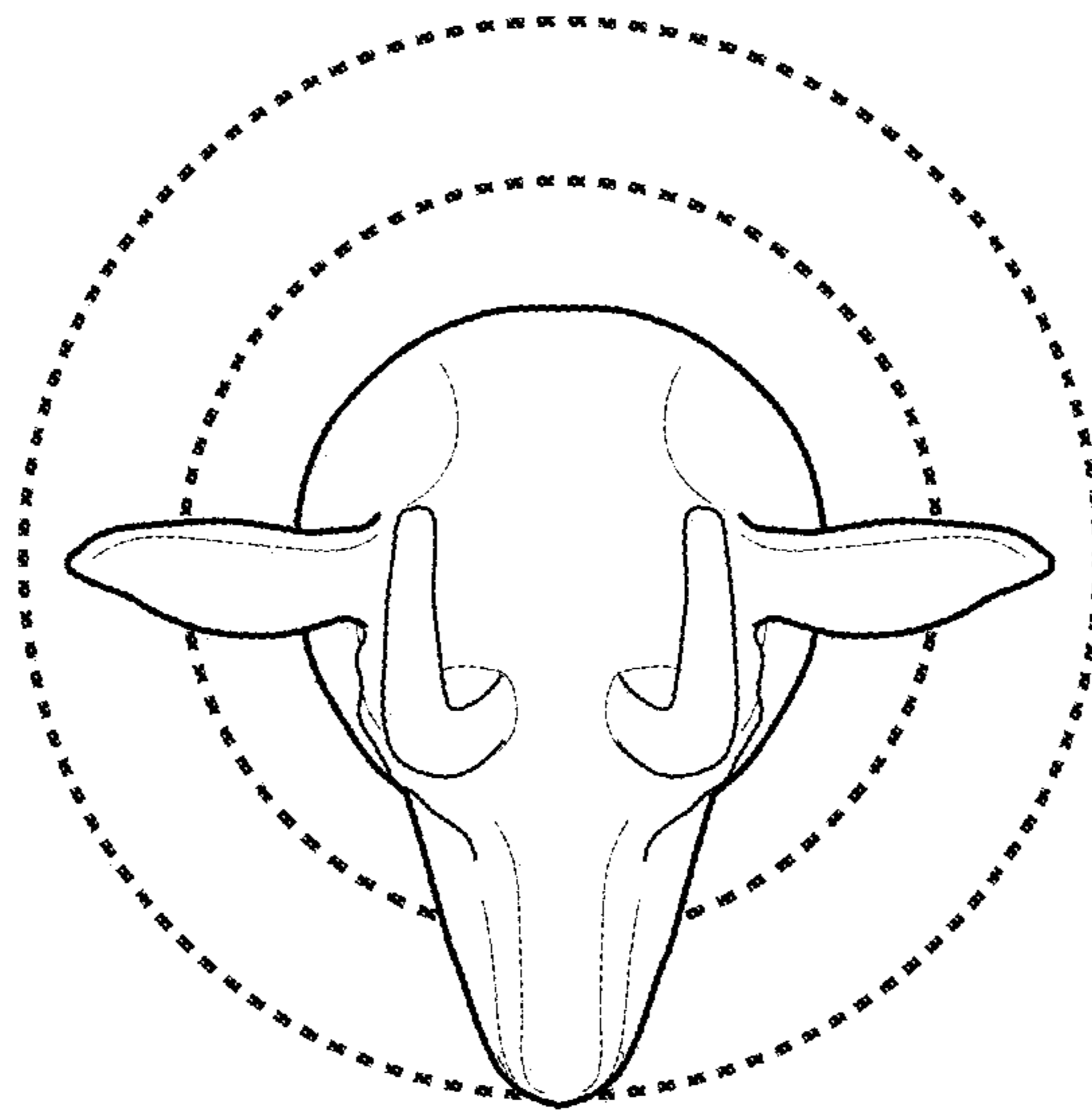


FIG. 2

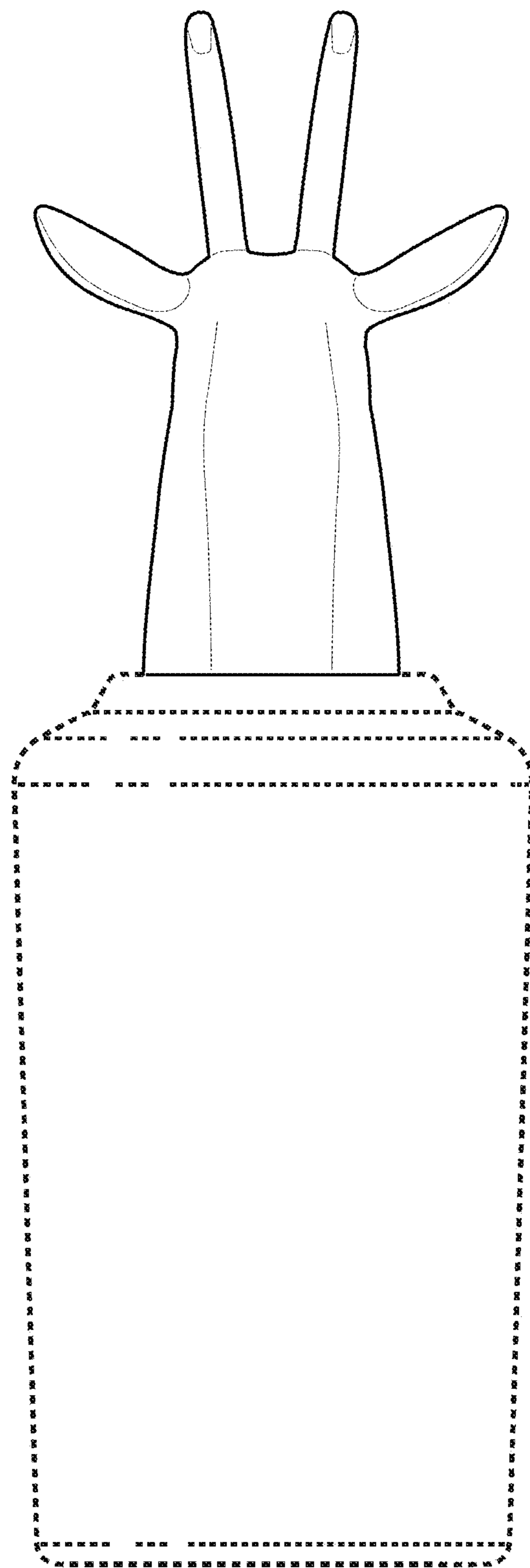


FIG. 3

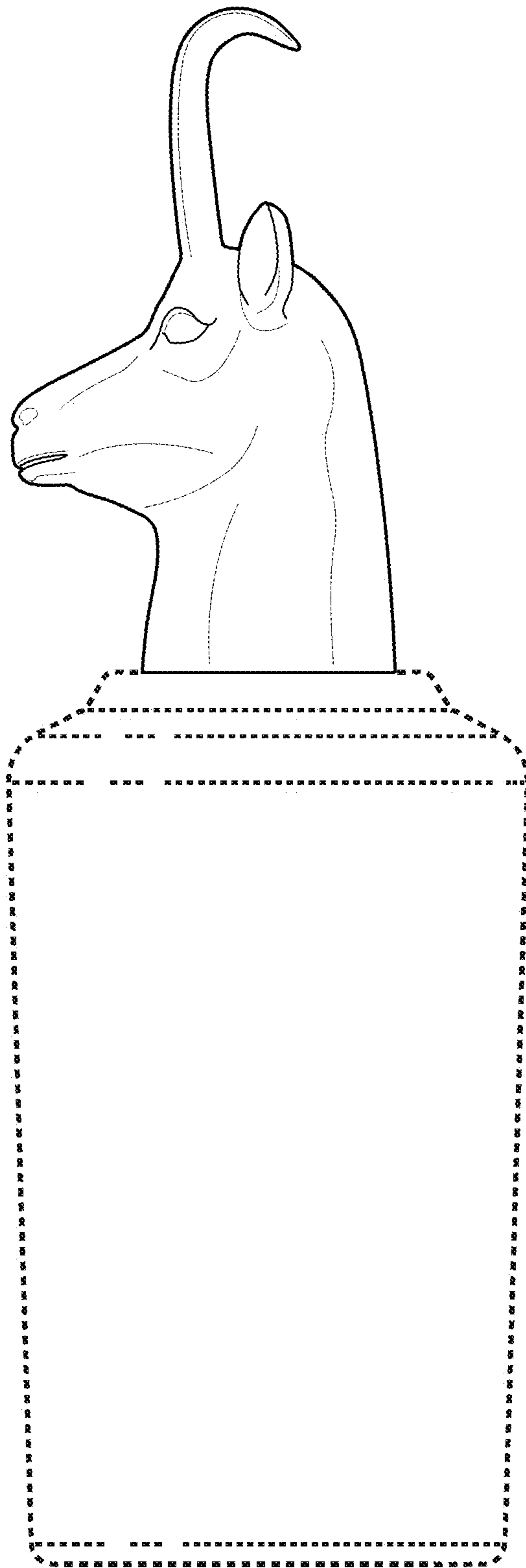


FIG. 4

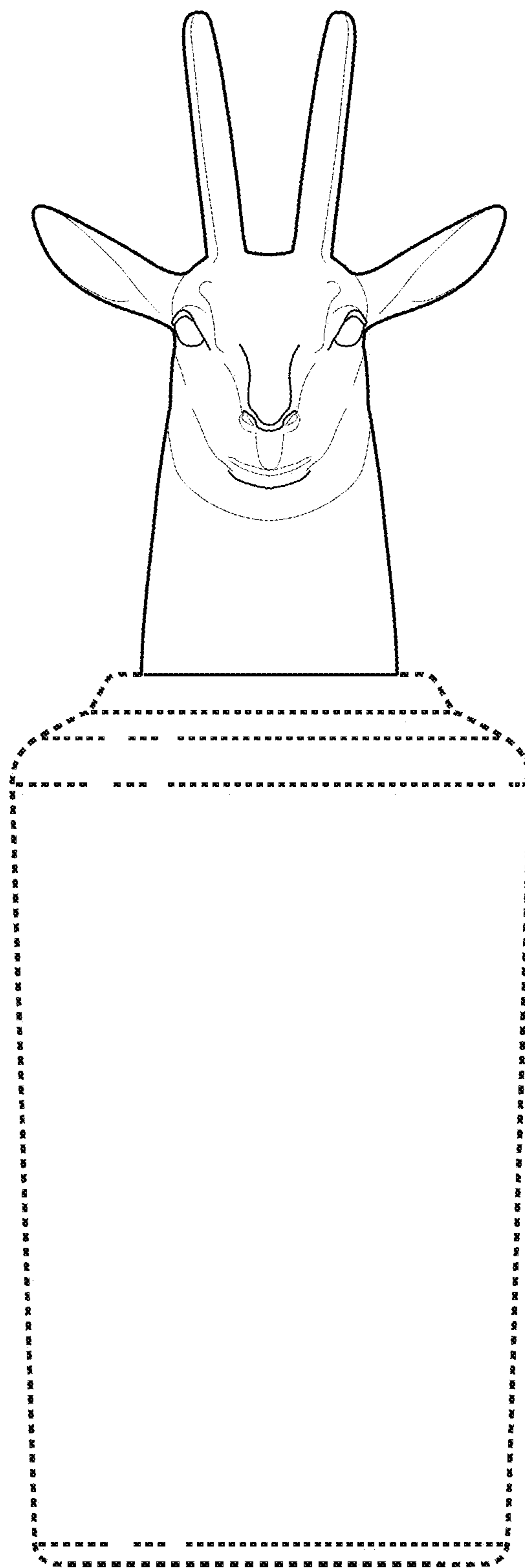


FIG. 5

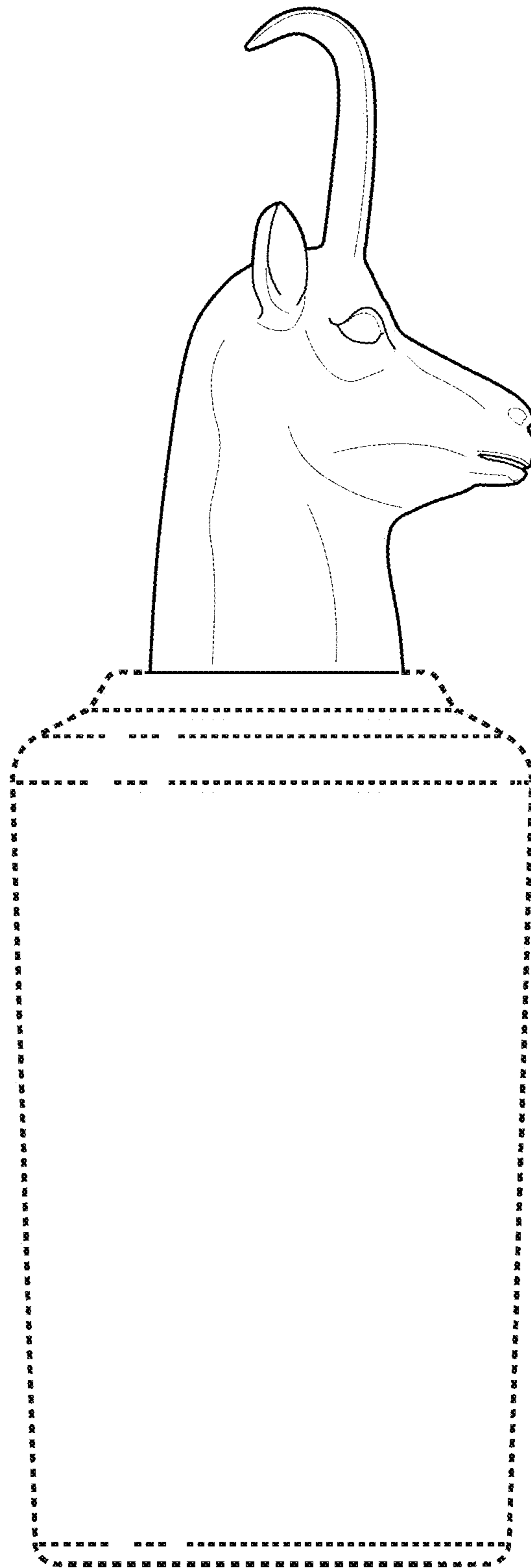


FIG. 6