



US00D872587S

(12) **United States Design Patent** (10) **Patent No.:** **US D872,587 S**  
**Vivas** (45) **Date of Patent:** **\*\* Jan. 14, 2020**

(54) **PERFUME BOTTLE**  
(71) Applicant: **Penhaligon's Limited**, London (GB)  
(72) Inventor: **Josep Vivas**, Barcelona (ES)  
(73) Assignee: **PENHALIGON'S LIMITED**, London (GB)

D205,480 S \* 8/1966 Thomte et al. .... D9/604  
D206,496 S \* 12/1966 Giessinger ..... D9/604  
D210,866 S \* 4/1968 Wickham ..... D9/604  
D436,845 S \* 1/2001 Lin ..... D9/604  
D460,217 S \* 7/2002 Shih ..... D9/451  
D626,425 S \* 11/2010 Lam ..... D9/604  
D700,522 S \* 3/2014 Toro ..... D9/604  
D712,272 S \* 9/2014 Veletakos ..... D9/601  
D739,253 S \* 9/2015 Davidovici ..... D9/604

(\*\*) Term: **15 Years**  
(21) Appl. No.: **29/657,738**  
(22) Filed: **Jul. 25, 2018**

\* cited by examiner  
*Primary Examiner* — Sandra L Morris  
(74) *Attorney, Agent, or Firm* — Day Pitney LLP

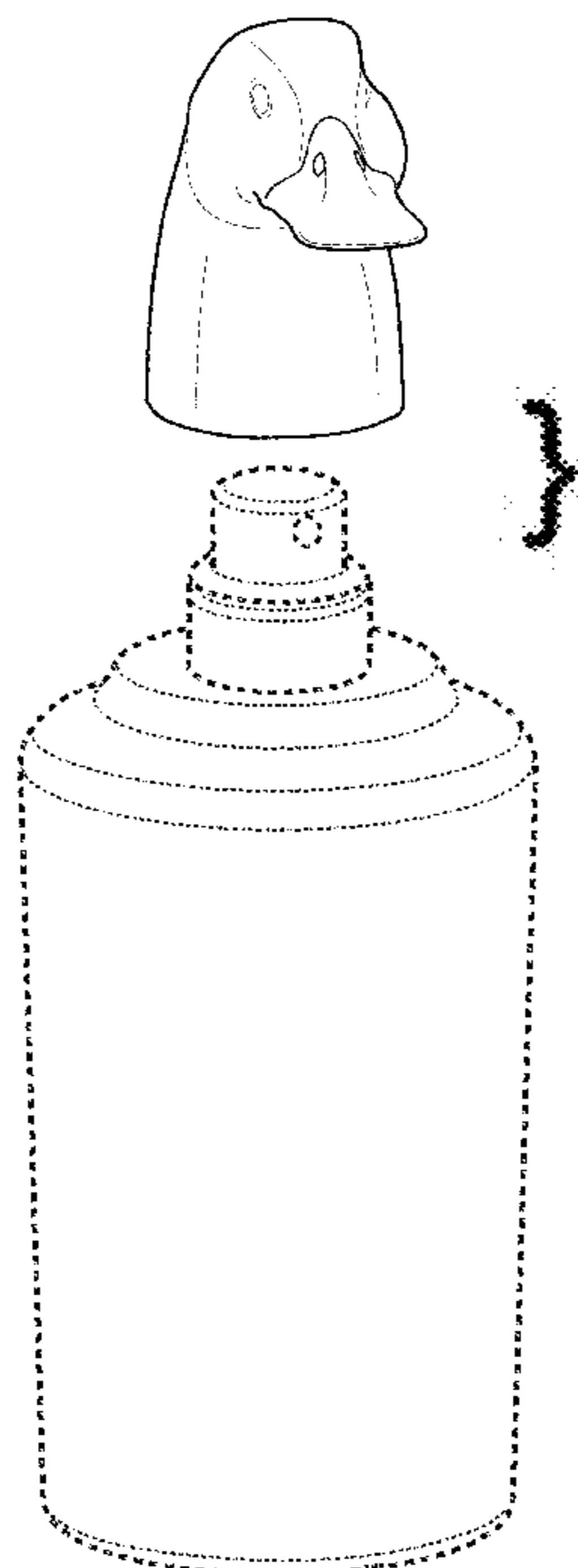
(30) **Foreign Application Priority Data**  
Jan. 26, 2018 (EM) ..... 004682631  
(51) **LOC (12) Cl.** ..... **09-01**  
(52) **U.S. Cl.**  
USPC ..... **D9/604; D9/451**  
(58) **Field of Classification Search**  
USPC ..... D3/270, 271.1–271.4; D7/510, 514–520,  
D7/599, 604, 613, 619.2, 623, 628, 392.1;  
D9/600–613, 434–454; 206/457, 459.5,  
206/527; 215/381–384, 400  
CPC ..... B65D 5/42; B65D 5/4258; B65D 81/60;  
B65D 81/365; B65D 81/366; B65D  
81/368; B65D 2203/00; B65D 2203/02;  
B65D 67/00; A63H 33/16  
See application file for complete search history.

(56) **References Cited**  
U.S. PATENT DOCUMENTS  
D122,715 S \* 9/1940 Staven-hagen ..... D7/539  
D204,211 S \* 3/1966 Fahlgren ..... D9/604

(57) **CLAIM**  
The ornamental design for a perfume bottle, as shown and described.

**DESCRIPTION**  
FIG. 1 is a front exploded view of my ornamental design for a perfume bottle with cap removed from the bottle;  
FIG. 2 is top plan view thereof;  
FIG. 3 is rear elevational view thereof;  
FIG. 4 is left side view thereof;  
FIG. 5 is a front elevational view thereof; and,  
FIG. 6 is right side view thereof.  
The broken lines in each of the figures are for environmental purposes only and form no part of the claimed design.

**1 Claim, 6 Drawing Sheets**



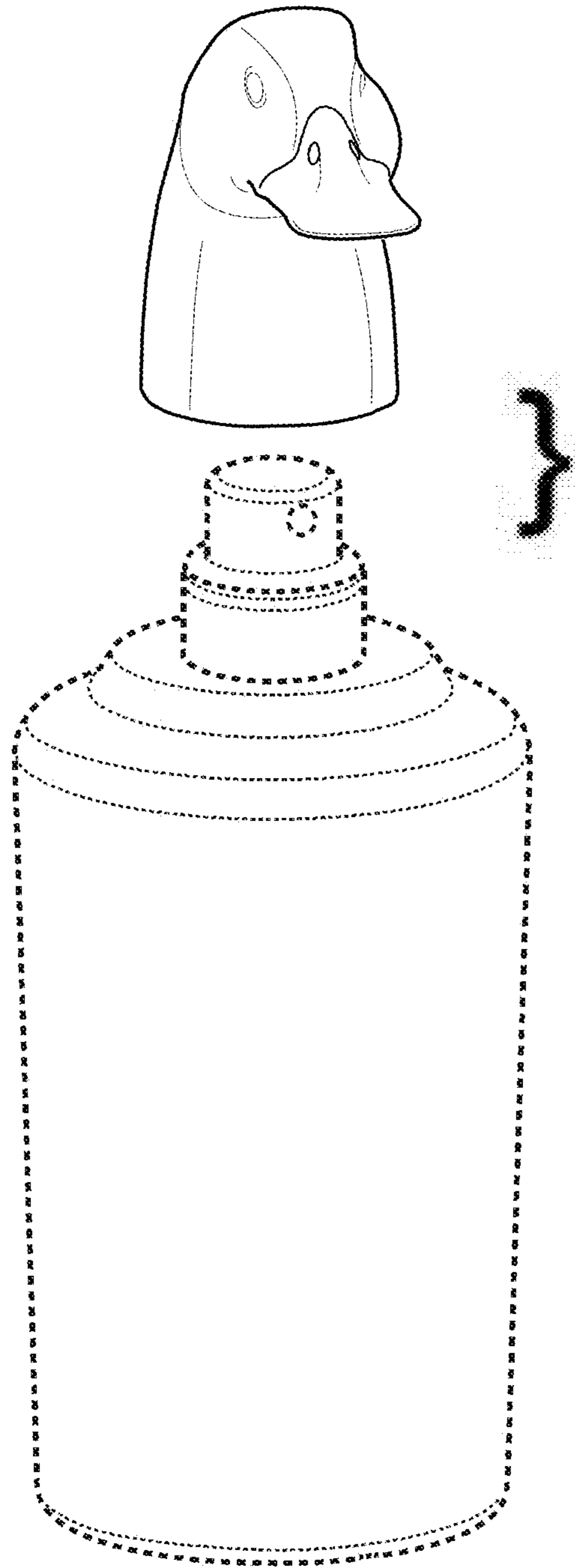
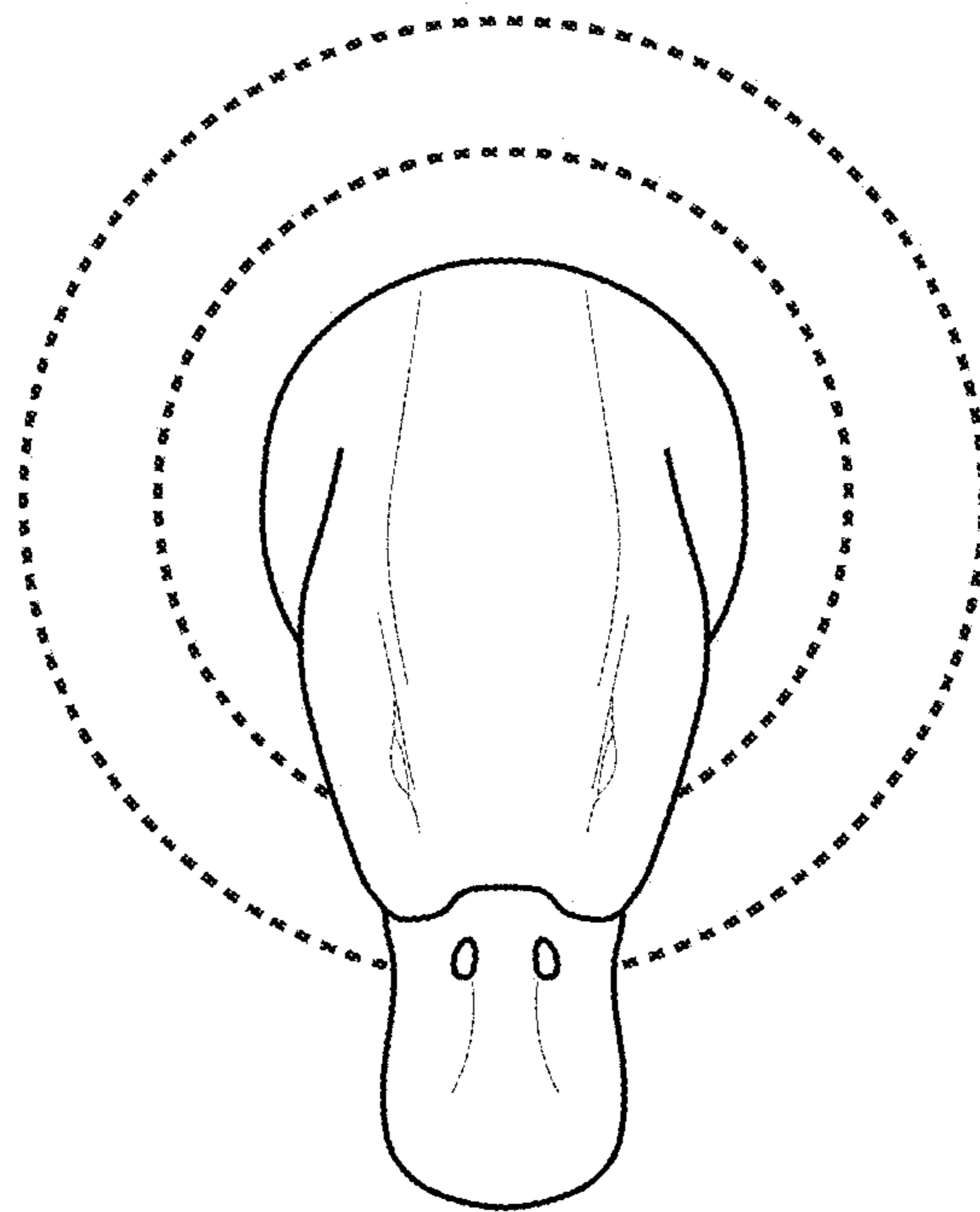
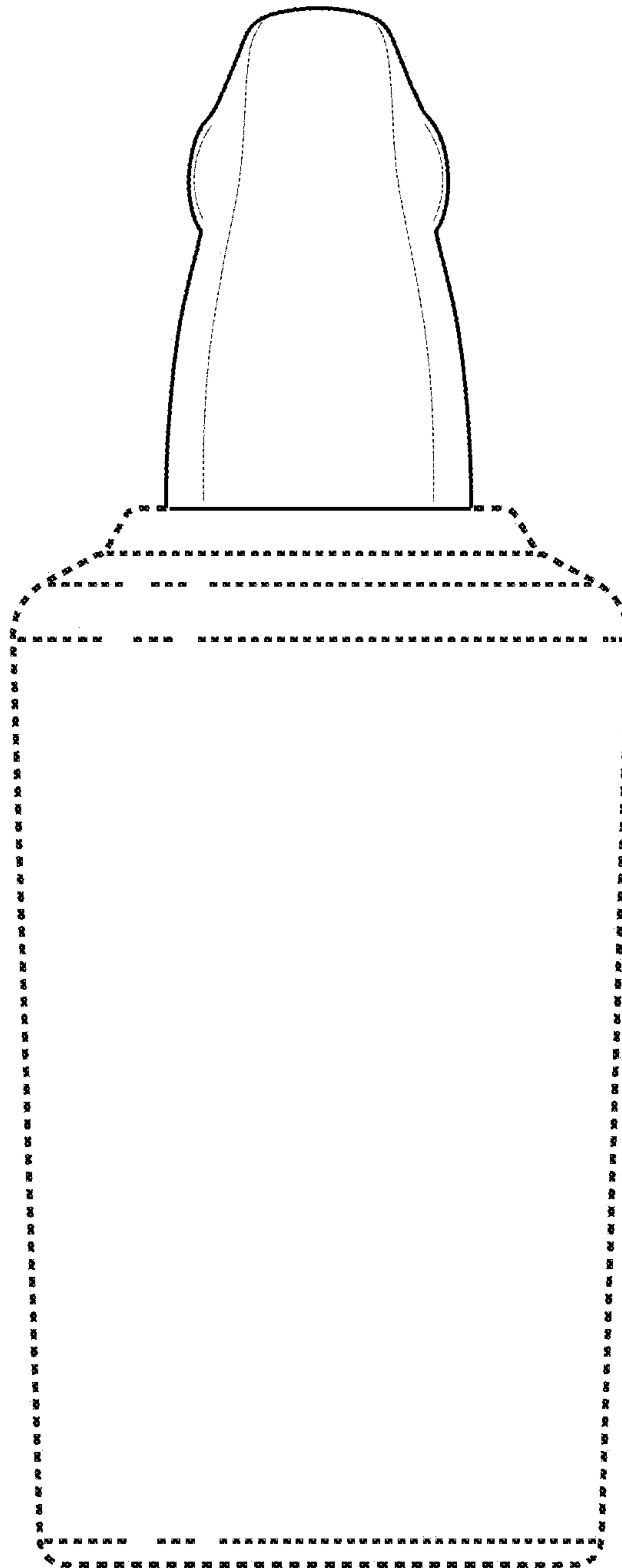


FIG. 1



**FIG. 2**



**FIG. 3**

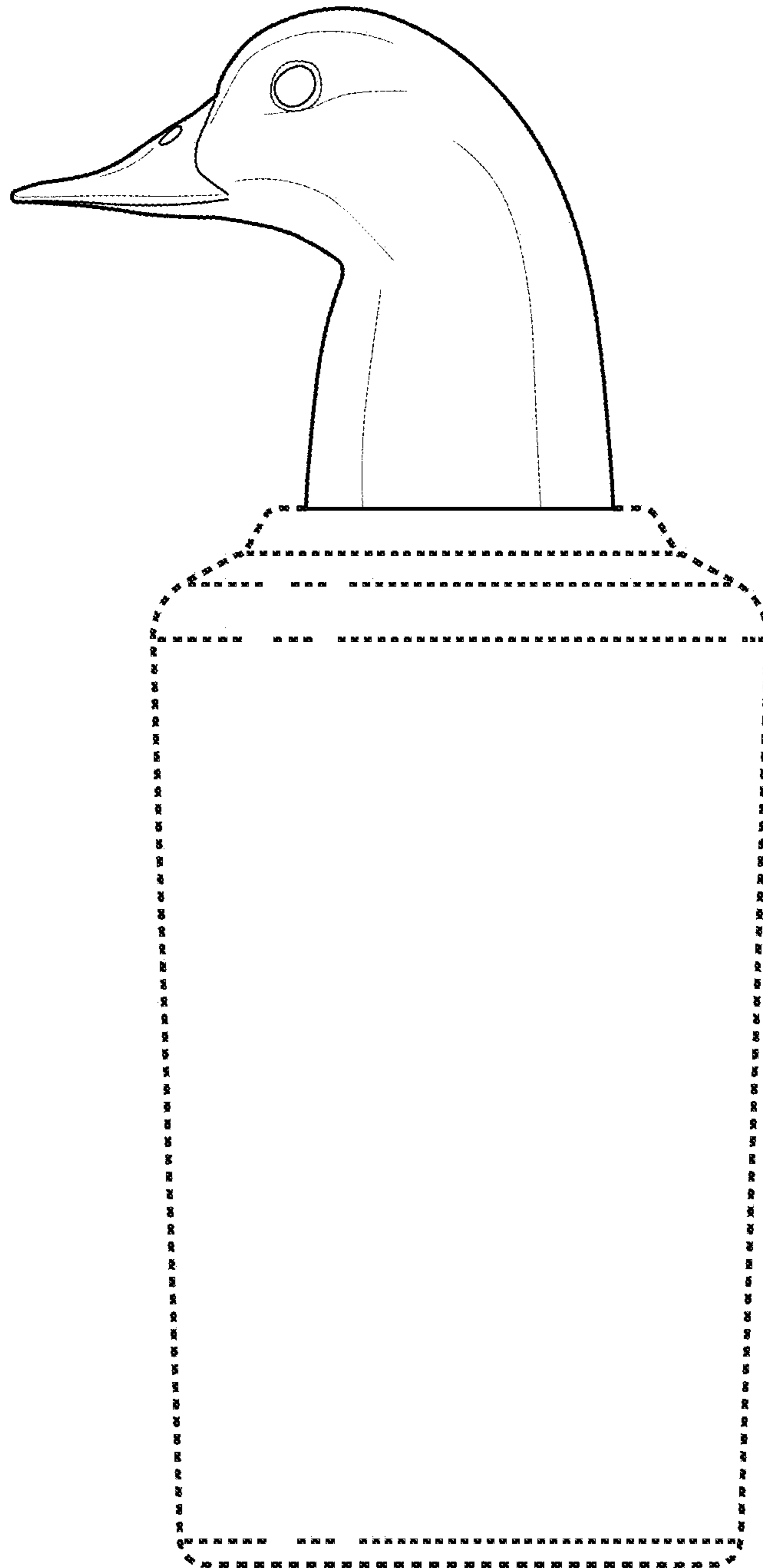


FIG. 4

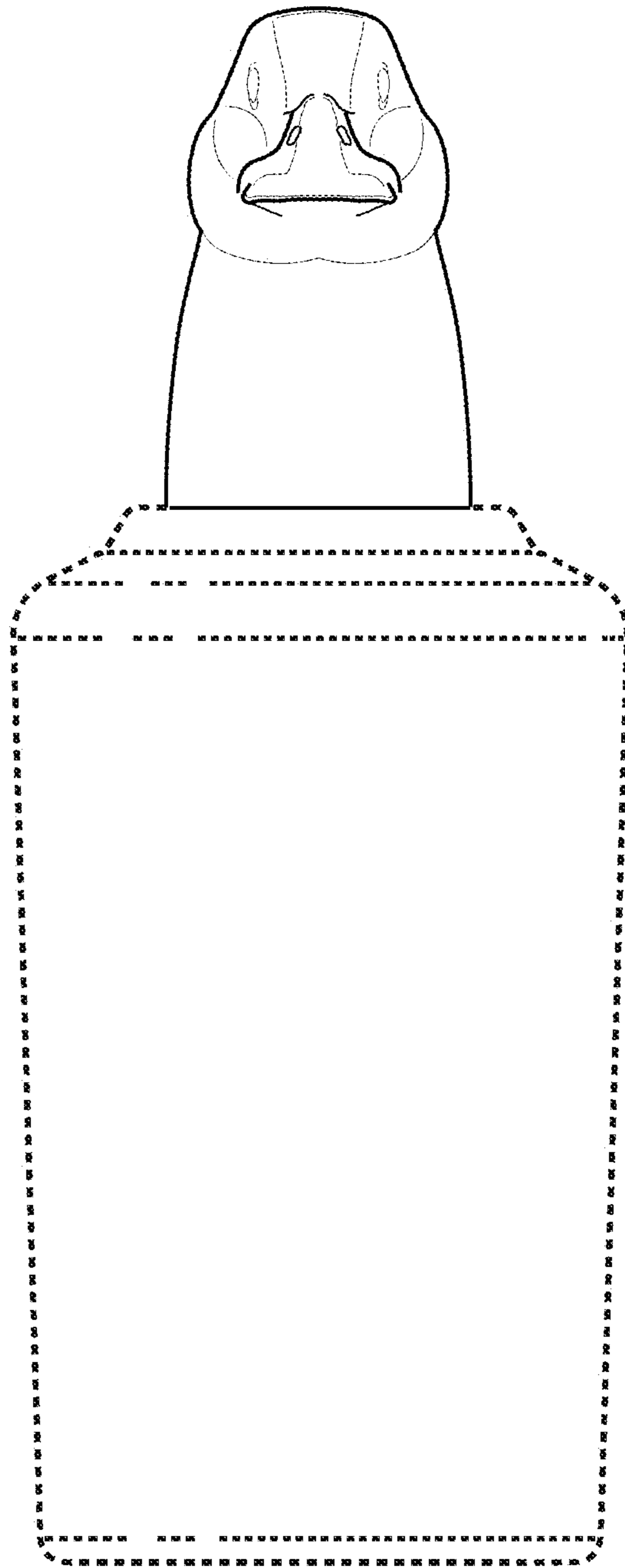


FIG. 5

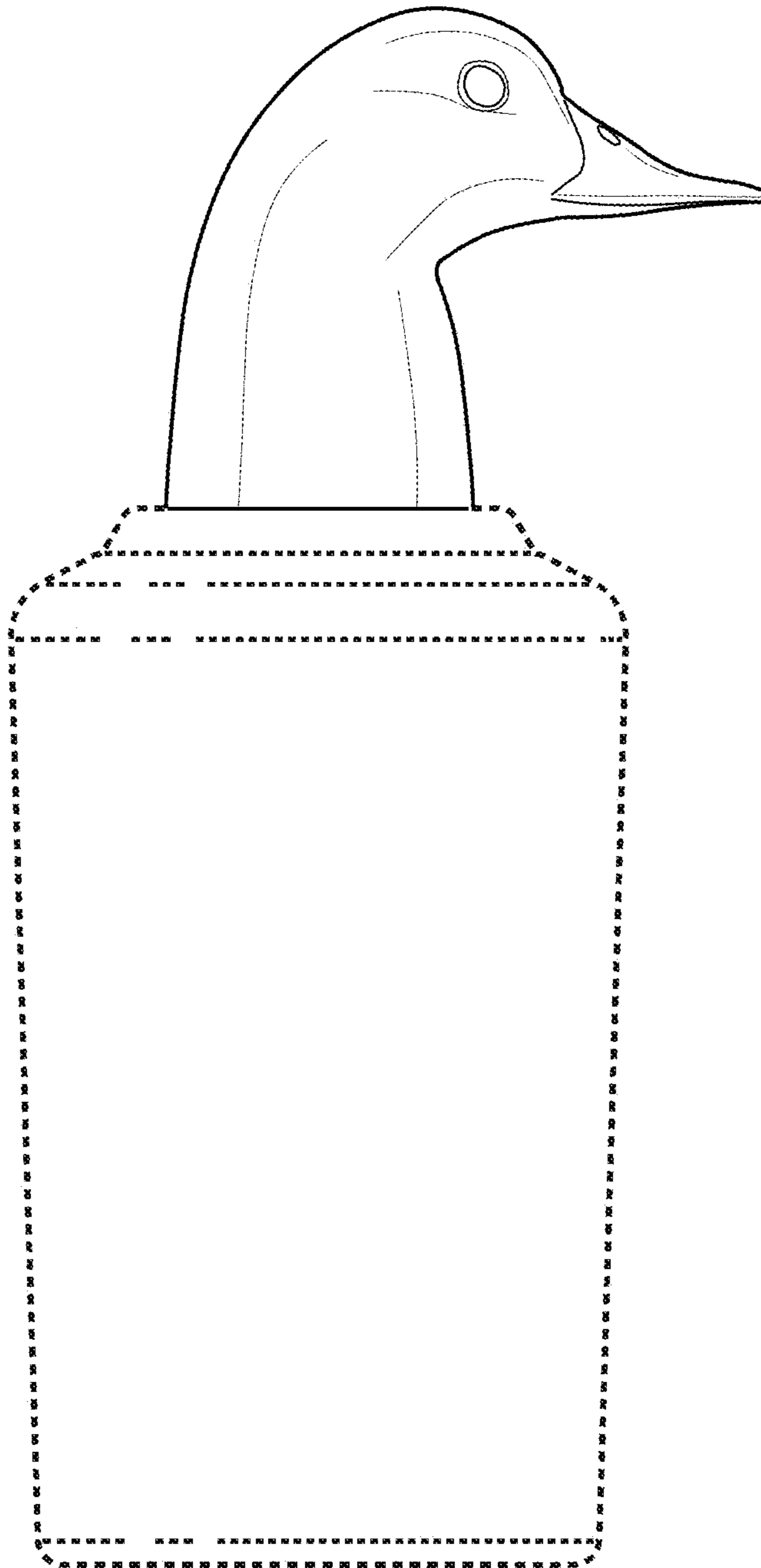


FIG. 6