



US00D872586S

(12) **United States Design Patent** (10) **Patent No.:** **US D872,586 S**
Vivas (45) **Date of Patent:** **** Jan. 14, 2020**

(54) **PERFUME BOTTLE**

(56) **References Cited**

(71) Applicant: **Penhaligon's Limited**, London (GB)

U.S. PATENT DOCUMENTS

(72) Inventor: **Josep Vivas**, Barcelona (ES)

D75,954 S *	8/1928	Charpentier	D9/603
D76,547 S *	10/1928	Matthews	D9/441
D86,702 S *	4/1932	Delich	D9/603
D101,048 S *	9/1936	Kessler	D9/451
D165,830 S *	2/1952	Dworkin	D7/613
D232,996 S *	10/1974	Snyder	D9/603
D243,429 S *	2/1977	Thrush	D7/539
D338,588 S *	8/1993	Ancona	D7/302
D342,187 S *	12/1993	Chen	D9/603
D496,411 S *	9/2004	Weiser	D21/609

(73) Assignee: **PENHALIGON'S LIMITED**, London (GB)

(**) Term: **15 Years**

(21) Appl. No.: **29/657,745**

* cited by examiner

(22) Filed: **Jul. 25, 2018**

Primary Examiner — Sandra L Morris

(30) **Foreign Application Priority Data**

(74) *Attorney, Agent, or Firm* — Day Pitney LLP

Jan. 26, 2018 (EM) 004682631

(51) **LOC (12) Cl.** **09-01**

(57) **CLAIM**

(52) **U.S. Cl.**

The ornamental design for a perfume bottle, as shown and described.

USPC **D9/603**; D9/451

DESCRIPTION

(58) **Field of Classification Search**

USPC D3/270, 271.1–271.4; D7/510, 514–520,
D7/599, 604, 613, 619.2, 623, 628, 392.1;
D9/600–613, 434–454; 206/457, 459.5,
206/527; 215/381–384, 400;
D21/606–609

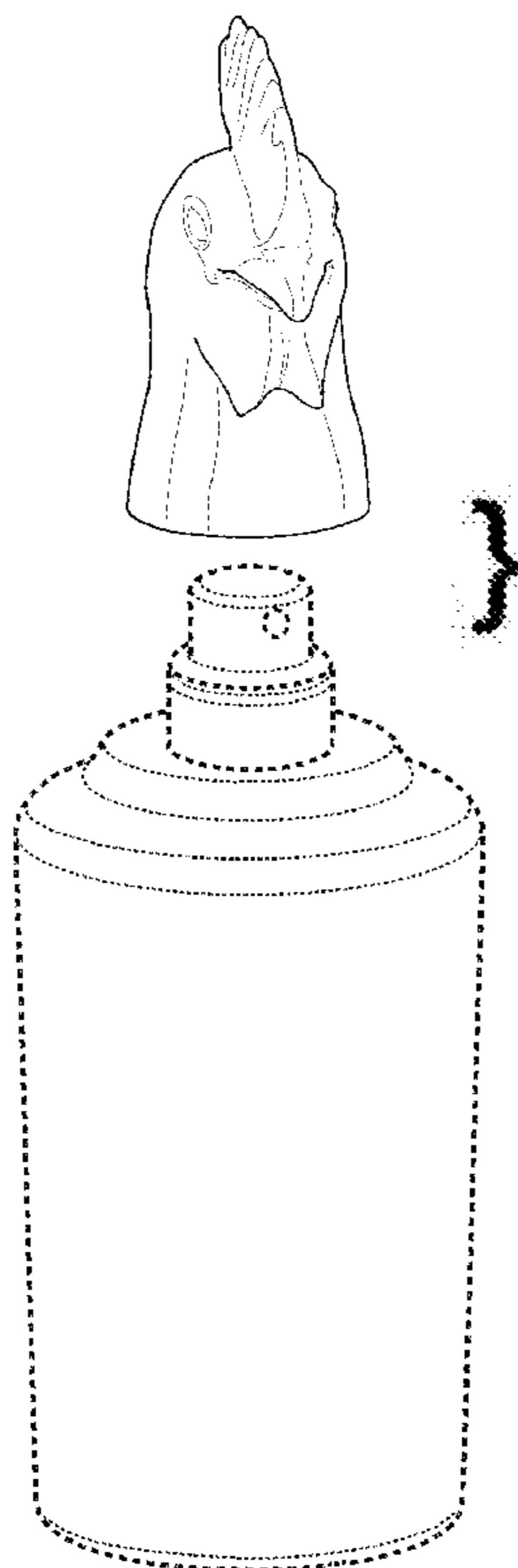
FIG. 1 is a front exploded view of my ornamental design for a perfume bottle with cap removed from the bottle;
FIG. 2 is top plan view thereof;
FIG. 3 is rear elevational view thereof;
FIG. 4 is left side view thereof;
FIG. 5 is a front elevational view thereof; and,
FIG. 6 is right side view thereof.

CPC B65D 5/42; B65D 5/4258; B65D 81/60;
B65D 81/365; B65D 81/366; B65D
81/368; B65D 2203/00; B65D 2203/02;
B65D 67/00; A63H 33/16

The broken lines in each of the figures are for environmental purposes only and form no part of the claimed design.

See application file for complete search history.

1 Claim, 6 Drawing Sheets



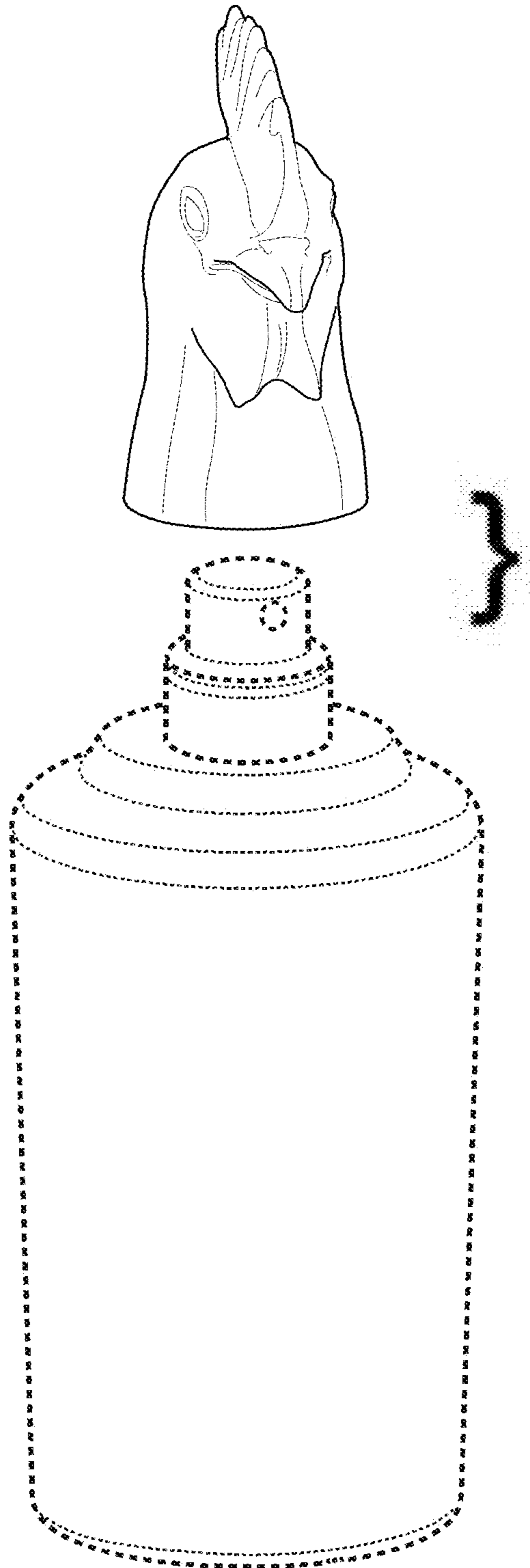


FIG. 1

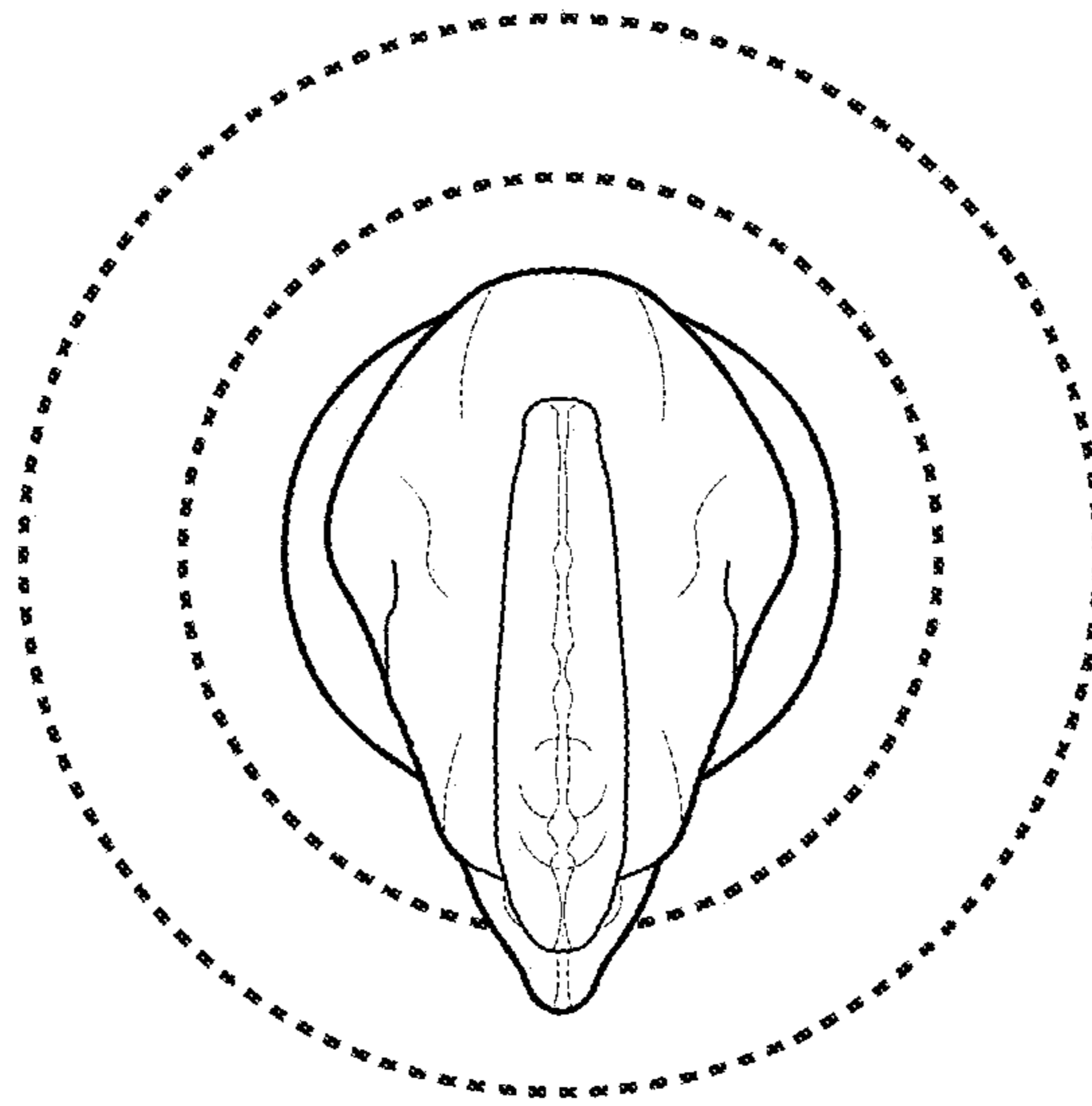


FIG. 2

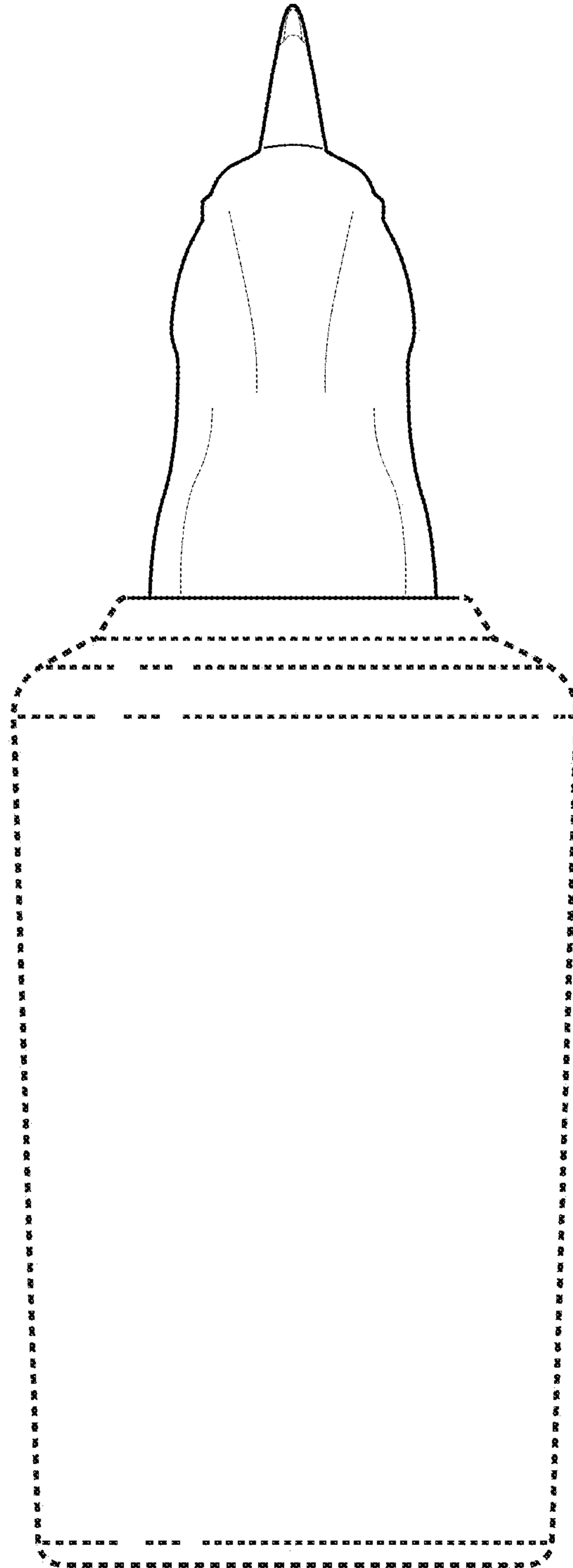


FIG. 3

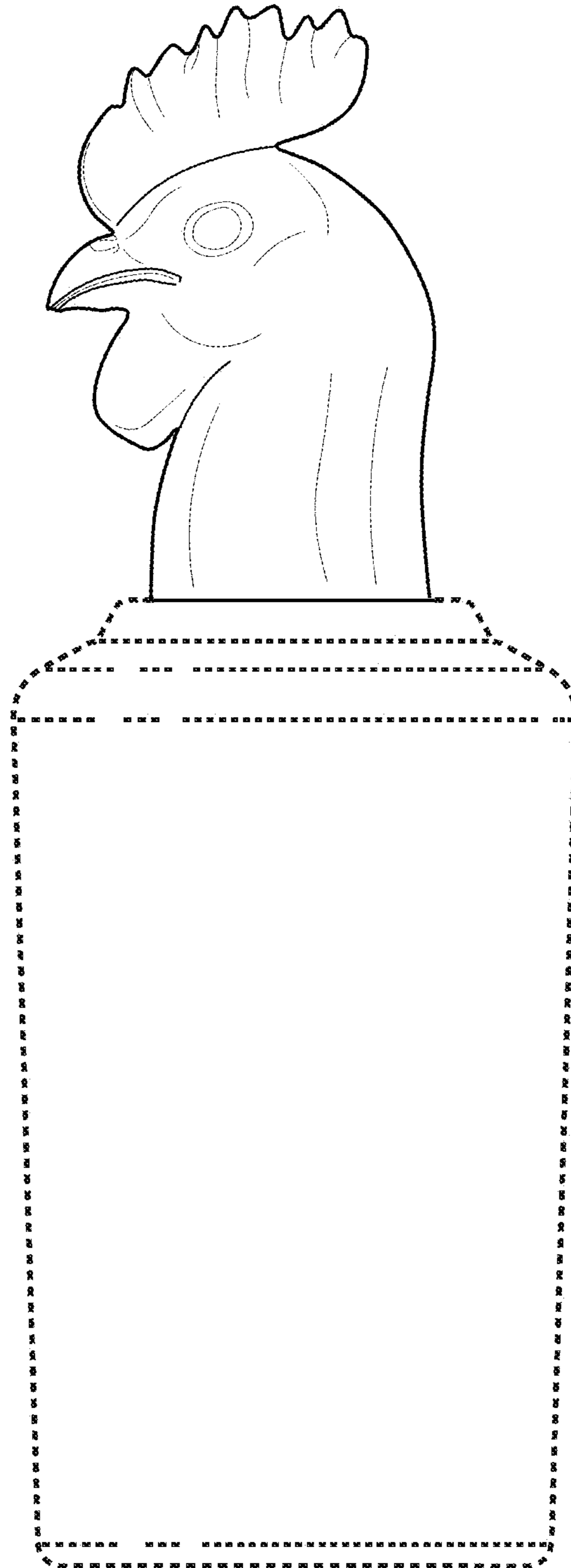


FIG. 4

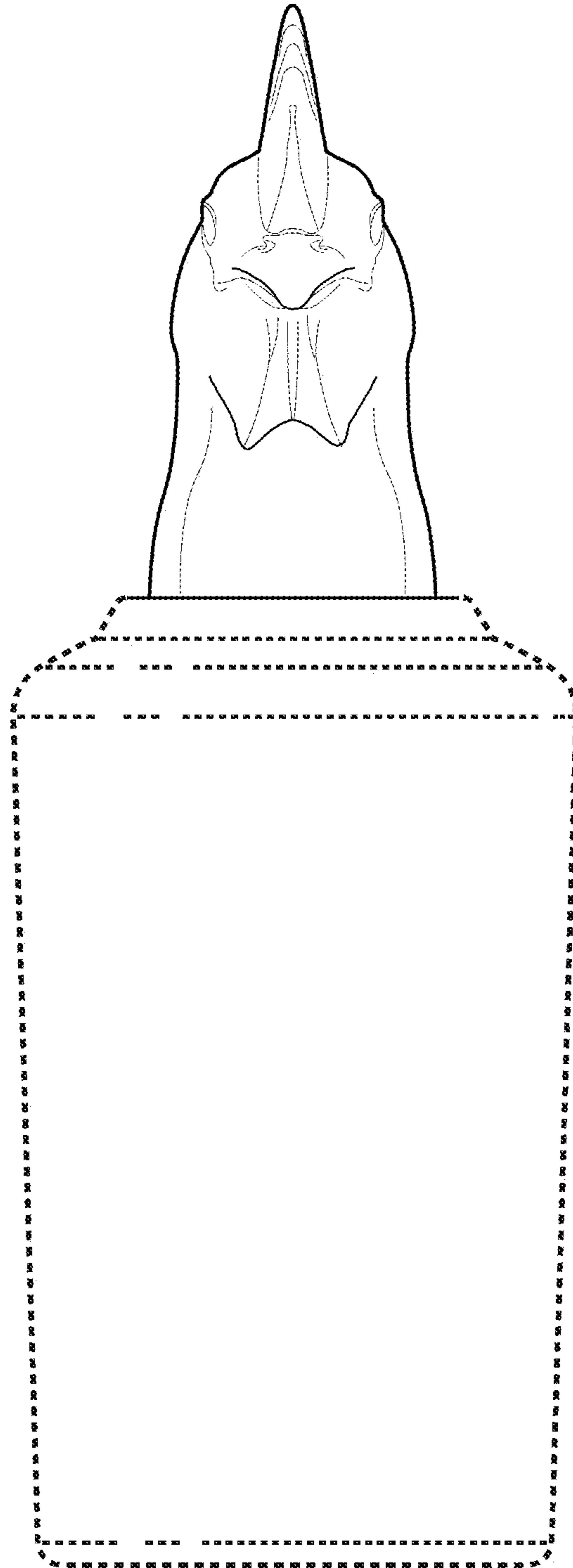


FIG. 5

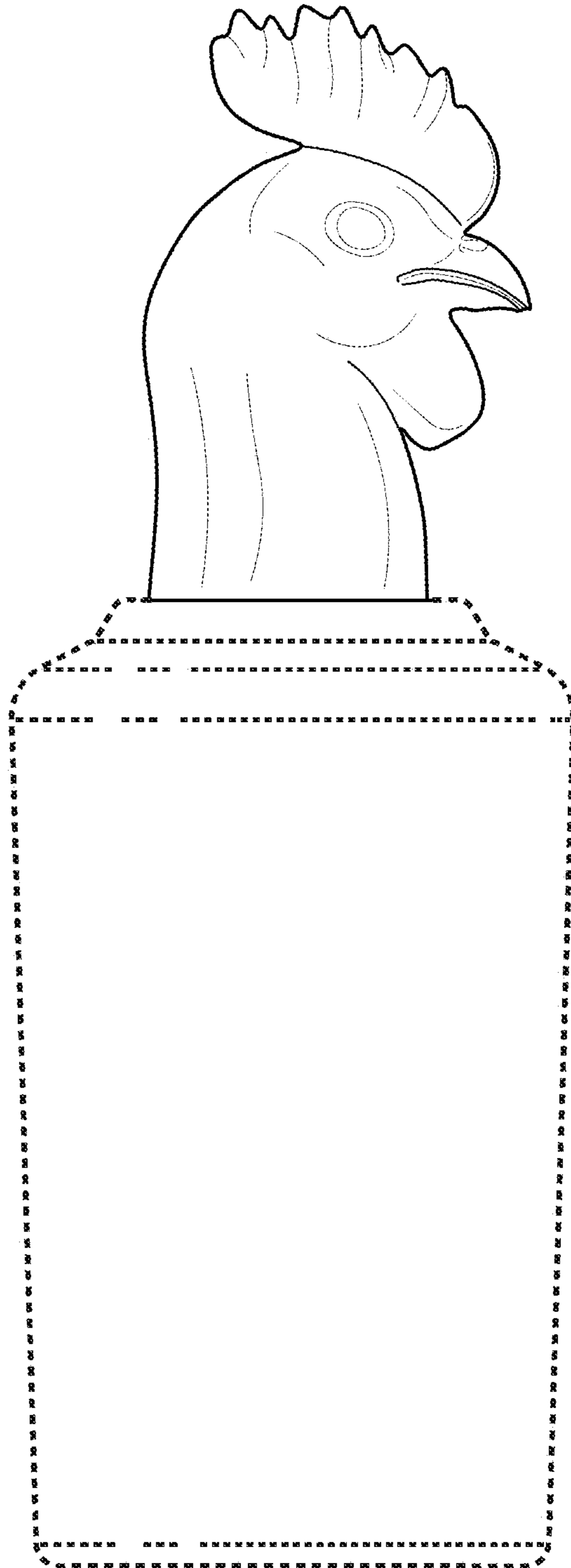


FIG. 6