



US00D872579S

(12) **United States Design Patent**  
**Wieland et al.**

(10) **Patent No.:** **US D872,579 S**  
(45) **Date of Patent:** **\*\* Jan. 14, 2020**

(54) **NAIL POLISH REMOVER BOTTLE**

(71) Applicant: **ILNP Cosmetics Inc.**, Las Vegas, NV  
(US)

(72) Inventors: **Jason Wieland**, Las Vegas, NV (US);  
**Zoran Sekulovski**, Bitola (MK)

(73) Assignee: **ILNP Cosmetics Inc.**, Las Vegas, NV  
(US)

(\*\*) Term: **15 Years**

(21) Appl. No.: **29/645,510**

(22) Filed: **Apr. 26, 2018**

(51) **LOC (12) Cl.** ..... **09-01**

(52) **U.S. Cl.**  
USPC ..... **D9/500**

(58) **Field of Classification Search**  
USPC ..... D9/434, 500, 503–504, 516, 530, 537,  
D9/539, 549, 558, 715, 719  
CPC ..... B65D 1/00; B65D 1/02; B65D 1/0223;  
B65D 23/00; B65D 81/00; B65D  
2501/00; B65D 2501/0009  
See application file for complete search history.

(56) **References Cited**

**U.S. PATENT DOCUMENTS**

|              |         |                    |        |
|--------------|---------|--------------------|--------|
| D178,919 S * | 10/1956 | Grebowiec .....    | D9/500 |
| D216,250 S * | 12/1969 | Kneapler .....     | D9/500 |
| D404,254 S * | 1/1999  | Asberg .....       | D7/511 |
| D426,953 S * | 6/2000  | Vanden Dries ..... | D3/264 |
| D472,471 S * | 4/2003  | McClure .....      | D9/537 |
| D489,992 S * | 5/2004  | Brauner .....      | D9/500 |
| D497,809 S * | 11/2004 | Fenton .....       | D9/500 |
| D499,337 S * | 12/2004 | Wadalawala .....   | D9/500 |
| D501,792 S * | 2/2005  | Priestman .....    | D9/500 |
| D573,470 S * | 7/2008  | Bradley .....      | D9/500 |
| D582,773 S * | 12/2008 | Klemm .....        | D9/500 |

|                   |         |                       |                         |
|-------------------|---------|-----------------------|-------------------------|
| D582,774 S *      | 12/2008 | Klemm .....           | D9/500                  |
| D654,362 S *      | 2/2012  | Weber-Trinkfass ..... | D9/452                  |
| D655,167 S *      | 3/2012  | Weber-Trinkfass ..... | D9/454                  |
| D664,852 S *      | 8/2012  | Weber-Trinkfass ..... | D9/452                  |
| D850,263 S *      | 6/2019  | Struggl .....         | D9/503                  |
| D856,805 S *      | 8/2019  | Moretti .....         | D9/500                  |
| 2012/0265245 A1 * | 10/2012 | Yamashita .....       | A61J 11/0065<br>606/236 |
| 2013/0270214 A1 * | 10/2013 | Huels .....           | B65D 1/0276<br>215/377  |

\* cited by examiner

*Primary Examiner* — Dana Meyrow

(74) *Attorney, Agent, or Firm* — **Intellent Patents LLC;**  
**Ahmed Alhafidh**

(57) **CLAIM**

The ornamental design for a nail polish remover bottle, as shown and described.

**DESCRIPTION**

FIG. 1 is a perspective view of of a design for a nail polish remover bottle, showing my new design.

FIG. 2 is a perspective view of the nail polish remover bottle of FIG. 1 shown without the cap.

FIG. 3 is a front elevational view of the nail polish remover bottle of FIG. 2.

FIG. 4 is a rear elevational view of the nail polish remover bottle of FIG. 2.

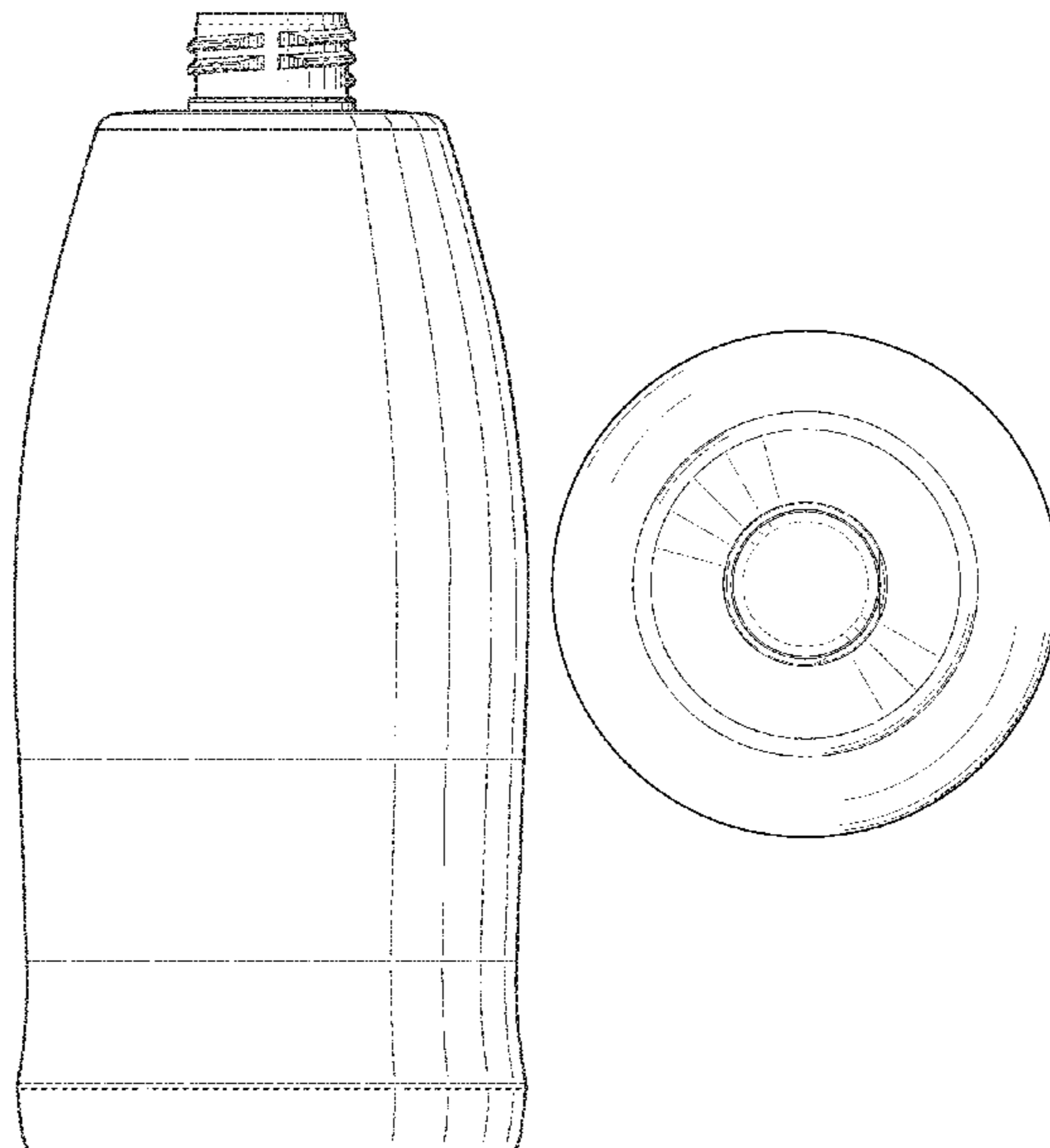
FIG. 5 is a left elevational view of the nail polish remover bottle of FIG. 2.

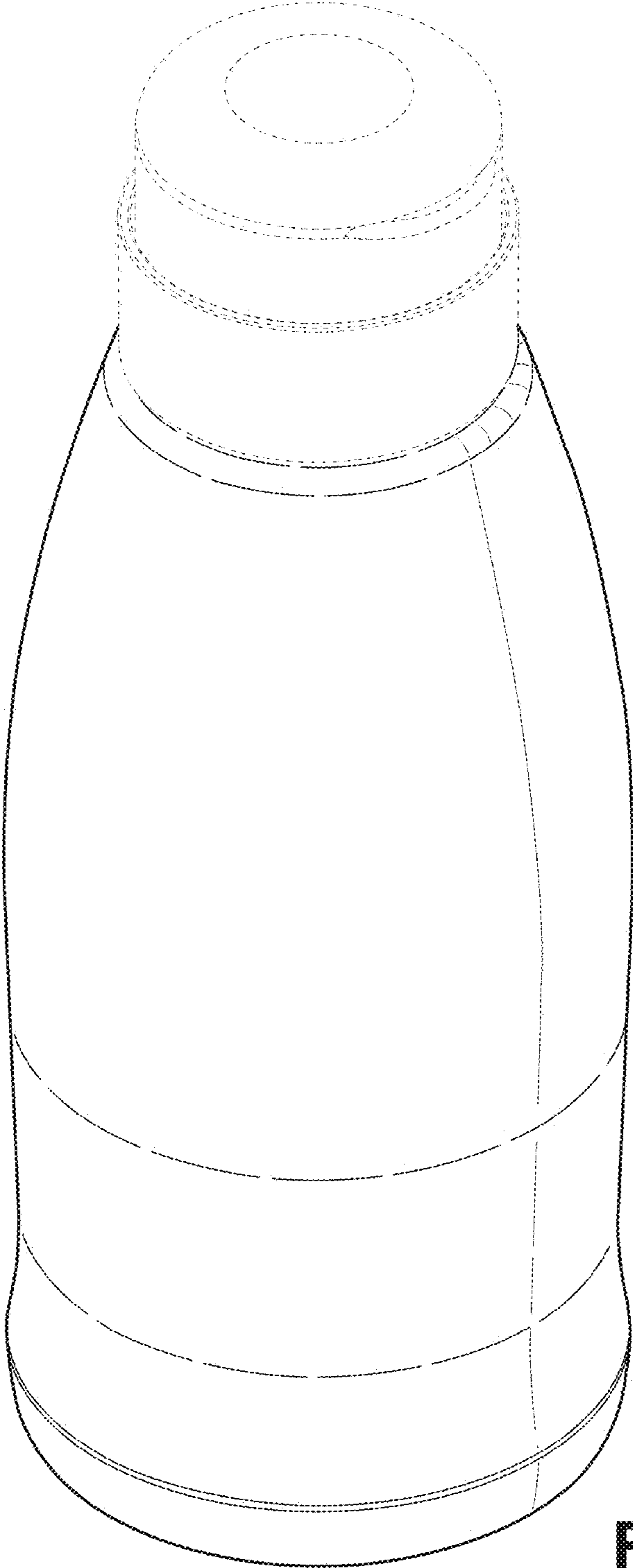
FIG. 6 is a right elevational view of the nail polish remover bottle of FIG. 2; and,

FIG. 7 is a top elevational view of the nail polish remover bottle of FIG. 2.

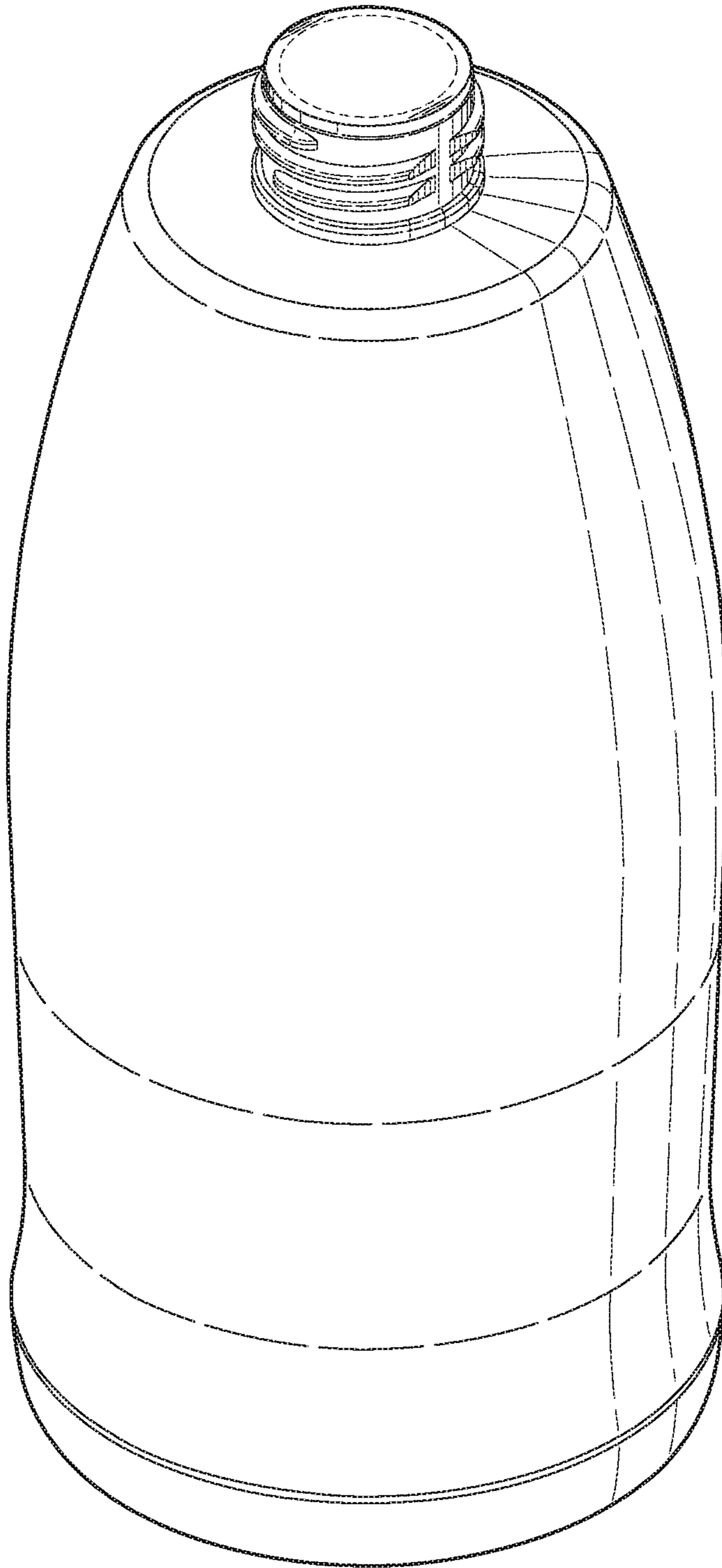
The broken lines in the drawings illustrate a portion of the nail polish remover bottle which form no part of the claimed design.

**1 Claim, 7 Drawing Sheets**

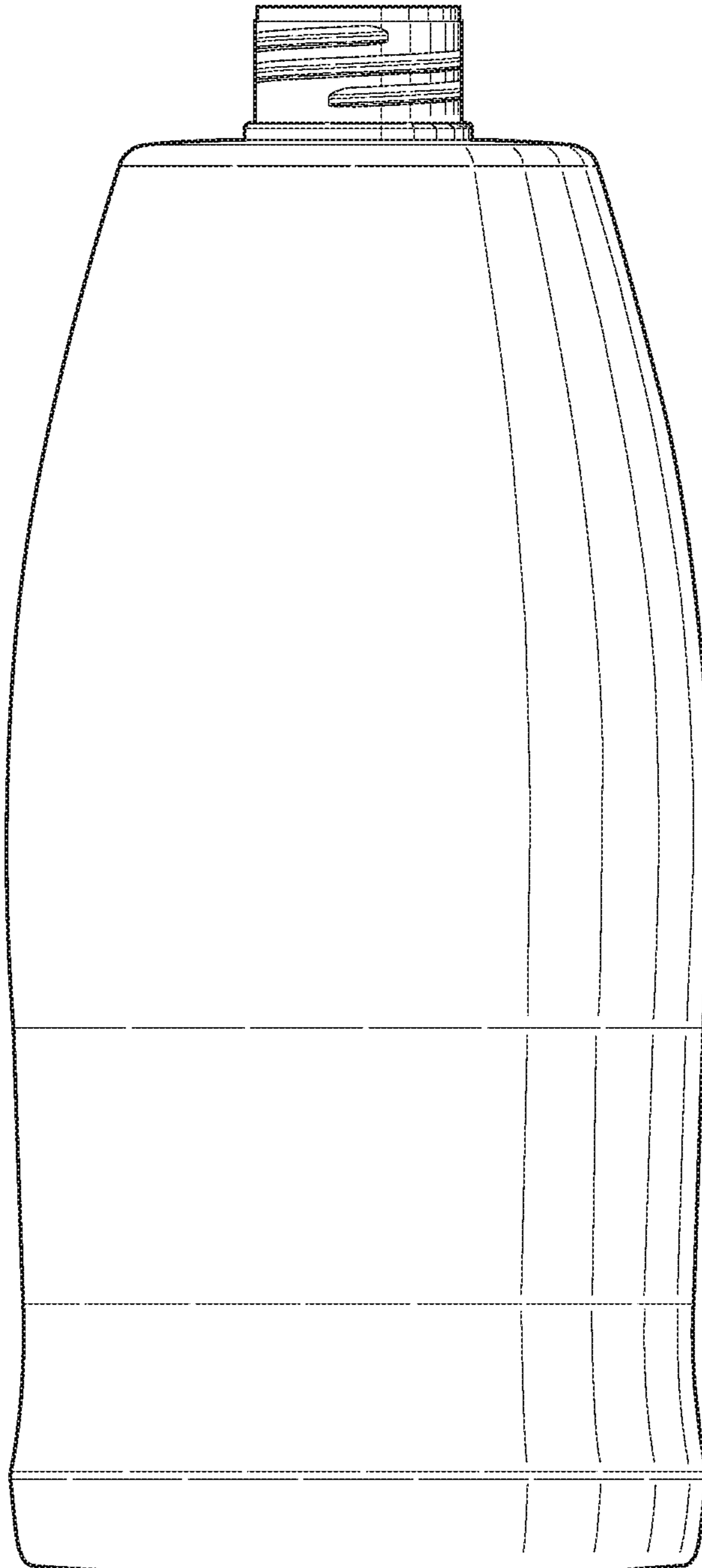




**FIG. 1**



**FIG. 2**



**FIG. 3**

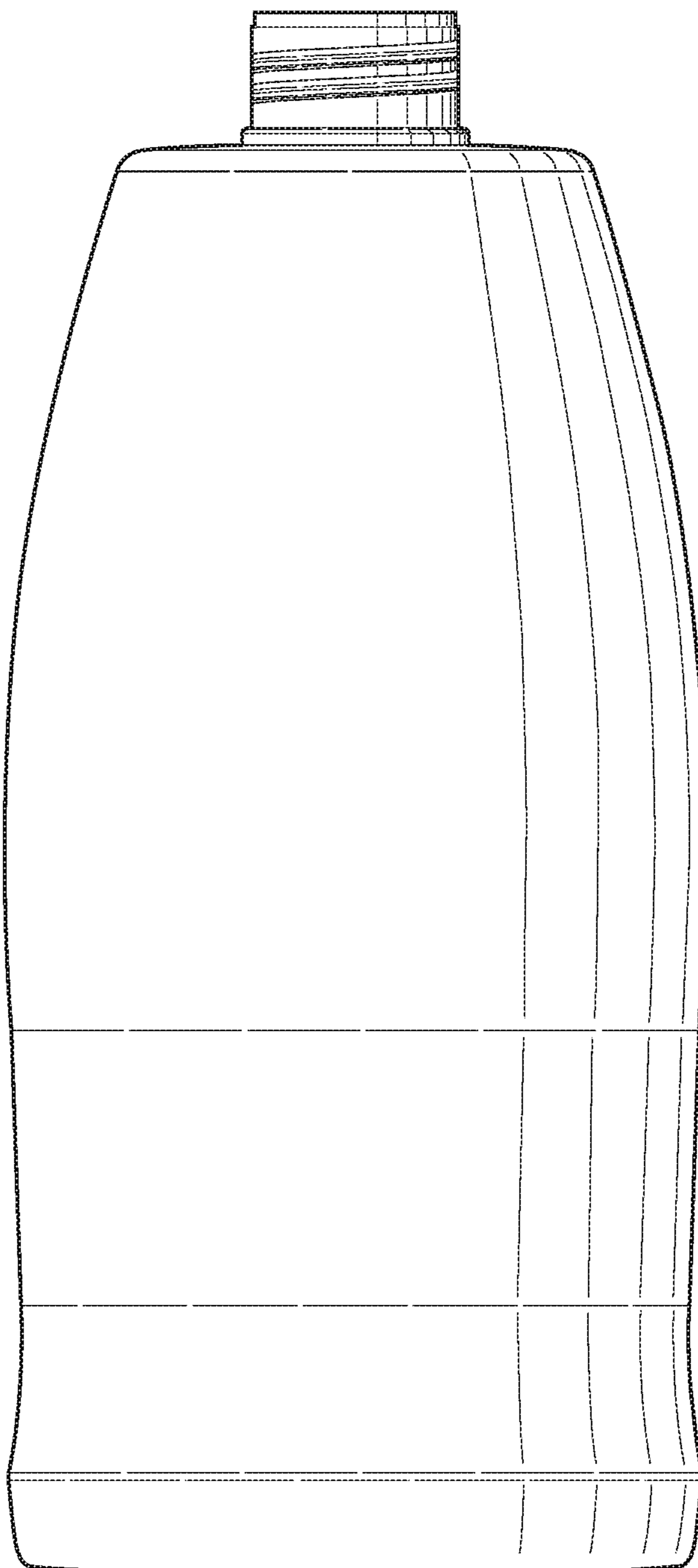


FIG. 4

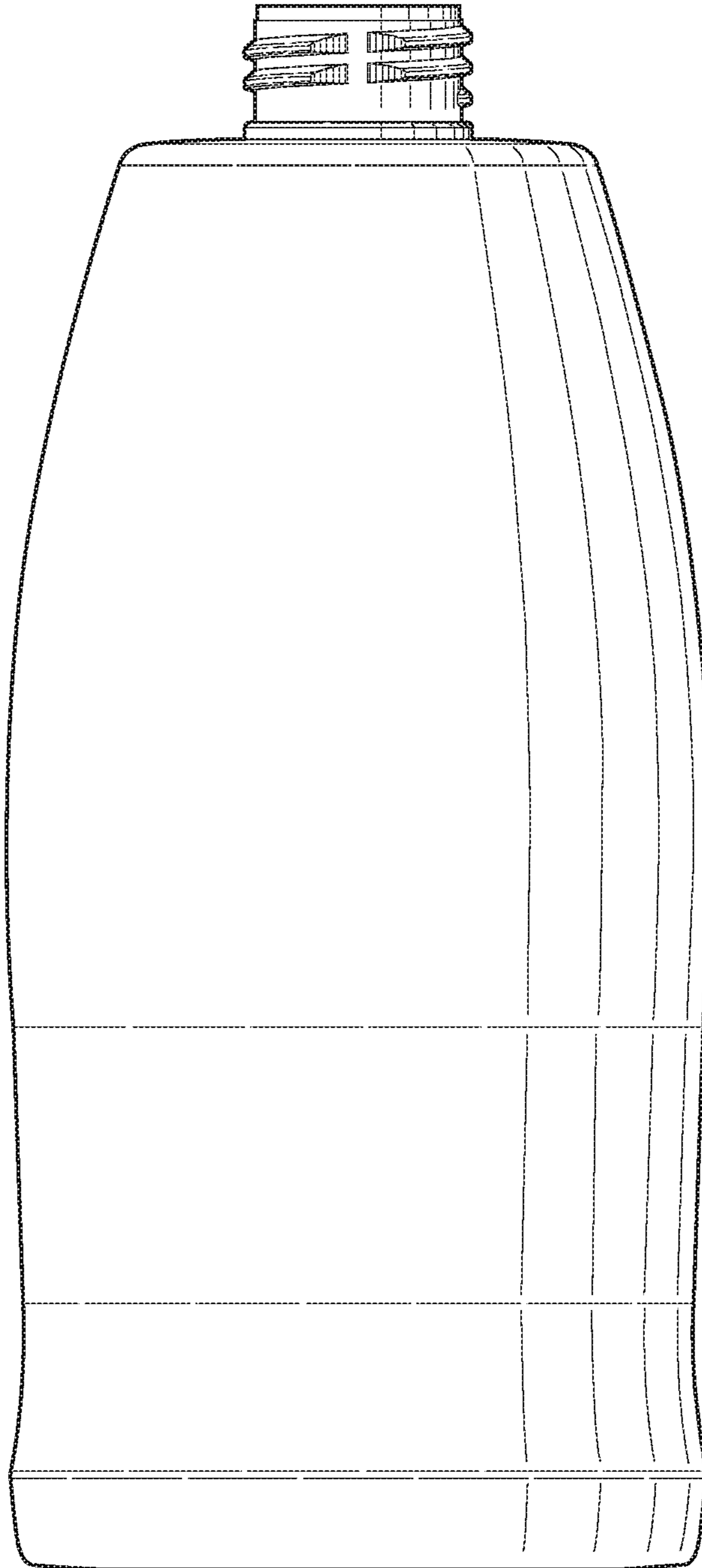


FIG. 5



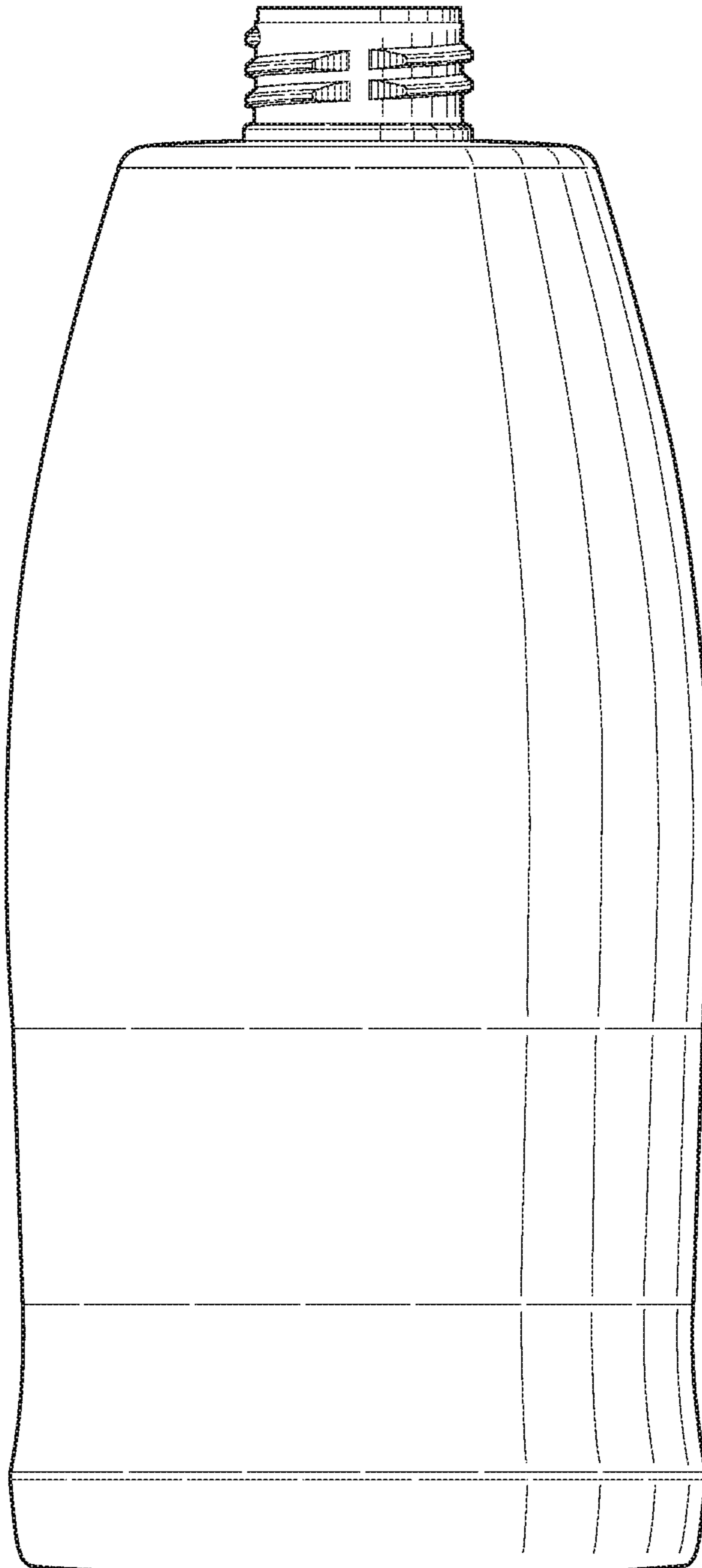
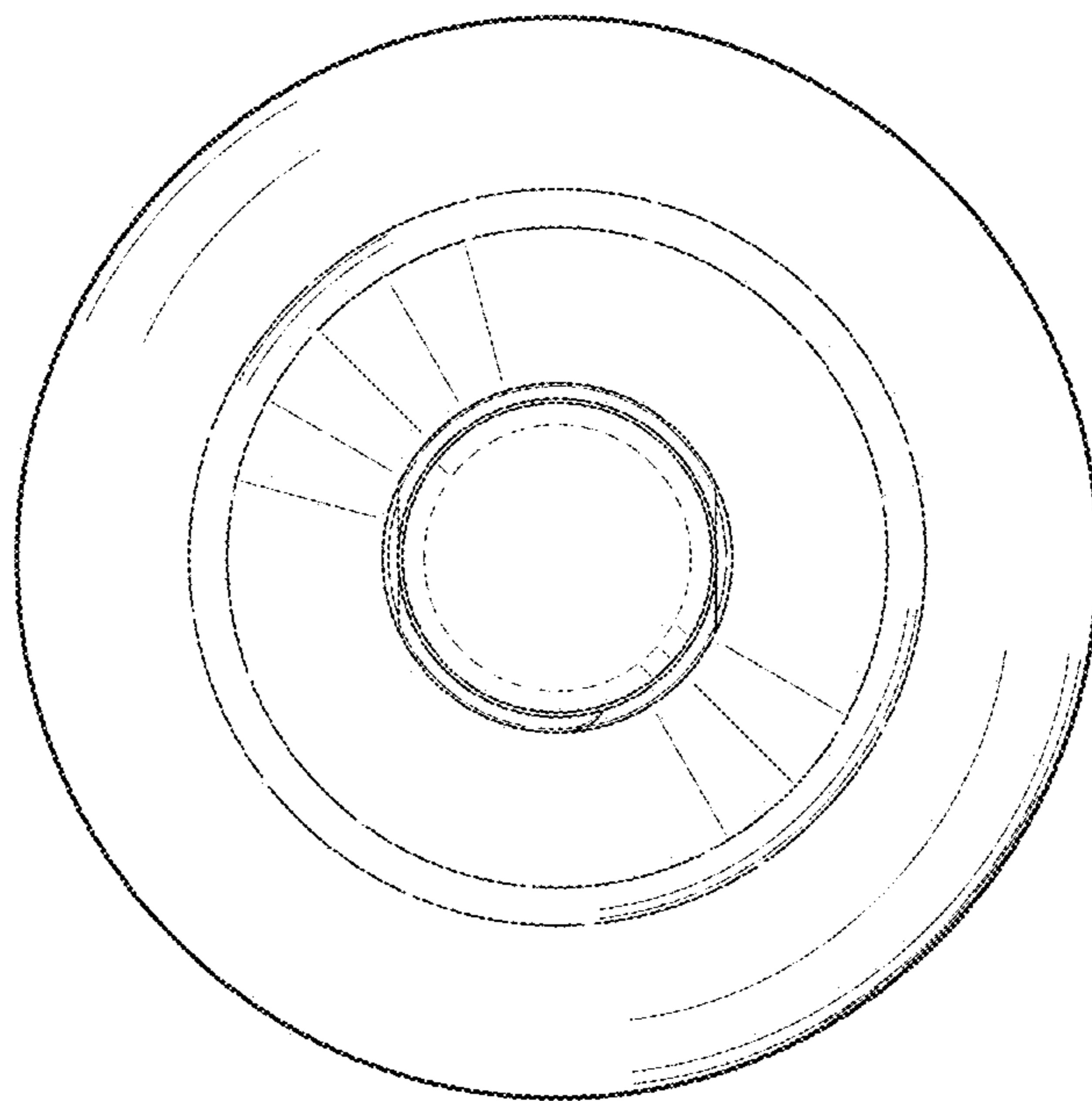


FIG. 6



**FIG. 7**