

US00D872578S

(12) **United States Design Patent** (10) **Patent No.:** **US D872,578 S**
Anderson et al. (45) **Date of Patent:** **** Jan. 14, 2020**

(54) **PACKAGING**

- (71) Applicant: **Apple Inc.**, Cupertino, CA (US)
- (72) Inventors: **Alissa Anderson**, San Francisco, CA (US); **Jonathan Berk**, Mountain View, CA (US); **Margaret Madigan Burke**, Sunnyvale, CA (US); **Jack Wanderman**, San Francisco, CA (US); **Kevin Scott Fetterman**, Los Altos, CA (US)
- (73) Assignee: **Apple Inc.**, Cupertino, CA (US)
- (**) Term: **15 Years**
- (21) Appl. No.: **29/697,459**
- (22) Filed: **Jul. 9, 2019**

Related U.S. Application Data

- (63) Continuation of application No. 29/668,073, filed on Oct. 26, 2018, now Pat. No. Des. 856,147, which is a (Continued)
- (51) **LOC (12) Cl.** **09-07**
- (52) **U.S. Cl.**
USPC **D9/456**
- (58) **Field of Classification Search**
USPC D9/737, 721, 748, 749, 756, 501, 414, D9/424, 434, 455-457, 759; D3/304,
(Continued)

(56) **References Cited**

U.S. PATENT DOCUMENTS

- 2,470,370 A 5/1949 Ritter
 - D190,974 S 7/1961 Salis
- (Continued)

OTHER PUBLICATIONS

Tactical Field OPS Watch: Rugged watch with ballistic computer (via MSM), available Apr. 2, 2007, [online], [site visited May 8,

2016]. Available from internet, <URL: <https://www.milspecmonkey.com/index.php/equipment-page/electronics/95-511-tactical-field-ops-watch-rugged-watch-with-ballistic-computer>>.

(Continued)

Primary Examiner — W. A. Teddy Falloway
(74) *Attorney, Agent, or Firm* — Sterne, Kessler, Goldstein & Fox P.L.L.C.

(57) **CLAIM**

The ornamental design for packaging, as shown and described.

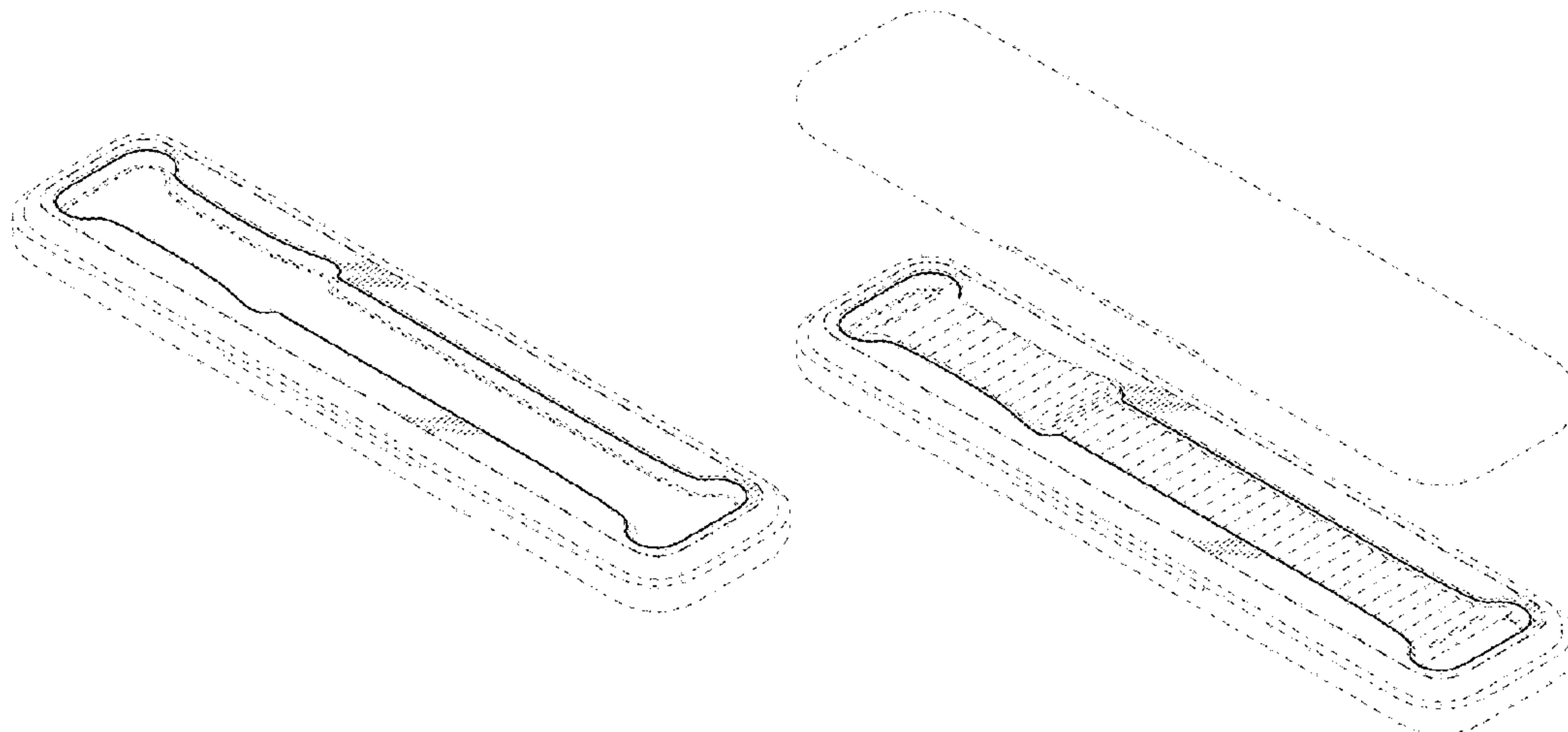
DESCRIPTION

FIG. 1 is a top front perspective view of packaging showing the claimed design;
 FIG. 2 is a front view thereof;
 FIG. 3 is a rear view thereof;
 FIG. 4 is a left side view thereof;
 FIG. 5 is a right side view thereof;
 FIG. 6 is a top view thereof;
 FIG. 7 is a bottom view thereof;
 FIG. 8 is a top front perspective reference view thereof showing the claimed design in an environment in which it may be used;
 FIG. 9 is a top front perspective view of another packaging showing the claimed design;
 FIG. 10 is a front view thereof;
 FIG. 11 is a rear view thereof;
 FIG. 12 is a left side view thereof;
 FIG. 13 is a right side view thereof;
 FIG. 14 is a top view thereof;
 FIG. 15 is a bottom view thereof; and,
 FIG. 16 is a top front perspective reference view thereof showing the claimed design in an environment in which it may be used.

The dashed broken lines in the figures show portions of the packaging and environment that form no part of the claimed design.

The dot-dash broken lines in the figures show boundaries that form no part of the claimed design.

1 Claim, 10 Drawing Sheets



Related U.S. Application Data

continuation of application No. 29/593,124, filed on Feb. 6, 2017, now Pat. No. Des. 832,103, which is a continuation of application No. 29/519,811, filed on Mar. 9, 2015, now Pat. No. Des. 778,161.

(58) **Field of Classification Search**

USPC D3/295; D7/550.1, 553.1–553.8, 581, D7/586, 587; D24/227, 229, 230; 428/131; 229/120; 220/4.21; 206/733, 206/528, 486, 485, 427, 461, 828; D1/106

CPC A61B 10/0096; A61B 50/20; A61B 50/30; A61C 2202/00; A61J 1/16; A63B 57/203; B25H 3/003; B44D 3/125; B65D 73/0092; B65D 81/025

See application file for complete search history.

(56) **References Cited**

U.S. PATENT DOCUMENTS

D202,013 S	8/1965	Hamilton
3,685,648 A	8/1972	Heller
D247,425 S	3/1978	Cordell, Jr.
D285,617 S	9/1986	Stillwagon
D306,235 S	2/1990	Tamamura
4,912,855 A	4/1990	Tatelbame
D325,526 S	4/1992	Deguchi et al.
D346,960 S	5/1994	Bennett
D362,274 S	9/1995	Willat
D365,754 S	1/1996	Plassier
D369,103 S	4/1996	Plassier
D398,527 S	9/1998	Maceachern et al.
D406,755 S	3/1999	Garganese
D415,022 S	10/1999	Gaudet et al.
6,006,911 A	12/1999	Levy
D420,586 S	2/2000	MacEachern et al.
6,065,596 A	5/2000	Cavanagh
D442,697 S	5/2001	Hajianpour
6,691,905 B2	2/2004	Berdan
D506,744 S	6/2005	Andre et al.
D508,633 S	8/2005	Kozlowski et al.
D511,093 S	11/2005	Keeton
D546,127 S	7/2007	Vovan
D551,562 S	9/2007	Considine et al.
D558,572 S	1/2008	Andre et al.
D572,588 S	7/2008	Osborn et al.
D575,585 S	8/2008	Geens
D580,752 S	11/2008	Andre et al.
D582,267 S	12/2008	Andre et al.
D584,142 S	1/2009	Andre et al.
D588,000 S	3/2009	Goetz et al.
D593,853 S	6/2009	Sorrentino et al.
D594,347 S	6/2009	Sorrentino et al.
D601,884 S	10/2009	Andre et al.
D607,323 S	1/2010	Bruno et al.
D616,738 S	6/2010	Andre et al.
D616,741 S	6/2010	Andre et al.
D619,352 S	7/2010	Antler
D621,256 S	8/2010	Andre et al.
D634,983 S	3/2011	Chen
D648,630 S	11/2011	Doster
8,104,615 B2	1/2012	Liu
D655,165 S	3/2012	Jensen et al.
D658,492 S	5/2012	Akana et al.
D659,530 S	5/2012	Akana et al.
D660,723 S	5/2012	Akana et al.
D668,143 S	10/2012	Akana et al.
D672,191 S	12/2012	Hollinger

D677,563 S	3/2013	Andre et al.
D685,654 S	7/2013	Akana et al.
D688,027 S	8/2013	Smith et al.
D692,279 S	10/2013	Chen
D695,632 S	12/2013	Akana et al.
D702,547 S	3/2014	Akana et al.
D706,643 S	6/2014	Akana et al.
D708,761 S	7/2014	Smeja
D708,762 S	7/2014	Smeja
D712,279 S	9/2014	Akana et al.
D712,748 S	9/2014	Akana et al.
D713,738 S	9/2014	Akana et al.
D713,739 S	9/2014	Akana et al.
D713,740 S	9/2014	Akana et al.
D720,696 S	1/2015	Huang
D746,595 S	1/2016	Wax
D748,498 S	2/2016	Pipes et al.
D750,940 S	3/2016	Zalewski
D764,285 S	8/2016	Akana et al.
D764,293 S	8/2016	Wang
D764,910 S	8/2016	Akana et al.
D774,899 S	12/2016	Tang et al.
D778,161 S	2/2017	Anderson et al.
D779,932 S	2/2017	Delle Cese et al.
D790,964 S	7/2017	Akana et al.
D793,856 S	8/2017	Akana et al.
D797,383 S	9/2017	Peninger
D800,549 S	10/2017	Delle Cese et al.
D802,414 S	11/2017	Delle Cese et al.
10,081,485 B2	9/2018	Cernokus et al.
D830,169 S	10/2018	Akana et al.
D832,103 S	10/2018	Anderson et al.
D856,147 S *	8/2019	Anderson D9/456
2002/0074255 A1	6/2002	Lee
2003/0230512 A1	12/2003	Yeh
2004/0108236 A1	6/2004	Reed et al.
2006/0215978 A1	9/2006	Choy et al.
2012/0080351 A1	4/2012	Takahashi et al.
2015/0231033 A1	8/2015	Agren
2016/0064993 A1	3/2016	Fetterman et al.

OTHER PUBLICATIONS

FoamFit Tools, available Jan. 8, 2012, [online], [site visited Nov. 4, 2016]. Available from internet, <URL: <http://www.foamfittools.com/>>.

“Six beautifully-designed watch boxes worth holding onto” (via dezeenWatchstore), available Aug. 8, 2014, [online], [site visited Nov. 2, 2016]. Available from internet, <URL: <https://www.dezeenwatchstore.com/blog/2014/08/six-watch-boxes-worth-holding-onto/>>.

“Hands-on: Apple Watch standalone bands, packaging, & swapping” (via 9TO5Mac), available May 8, 2015, [online], [site visited May 8, 2016]. Available from internet, <URL: <http://9to5mac.com/2015/05/08/hands-on-apple-watch-standalone-band-packaging-swapping/>>.

Unboxing Monowear Leather Bands (YouTube), available Oct. 24, 2015, [online], [site visited Nov. 4, 2016]. Video available from internet, <URL: <https://www.youtube.com/watch?v=WsJ10Bhzmyo>>.

MonoChest Apple Watch Case and Apple Watch Bands (YouTube), available Feb. 19, 2016, [online], [site visited Nov. 4, 2016]. Video available from internet, <URL: <https://www.youtube.com/watch?v=VFIM99-DF3s>>.

Review: Mintapple Limited Edition Genuine Crocodile Leather Apple Watch Strap (via SuperPhen’s Tech Blog), available May 22, 2016, [online], [site visited Nov. 2, 2016]. Available from internet, <URL: <https://superphen.co/2016/05/22/review-mintapple-limited-edition-genuine-crocodile-leather-apple-watch-strap/>>.

* cited by examiner

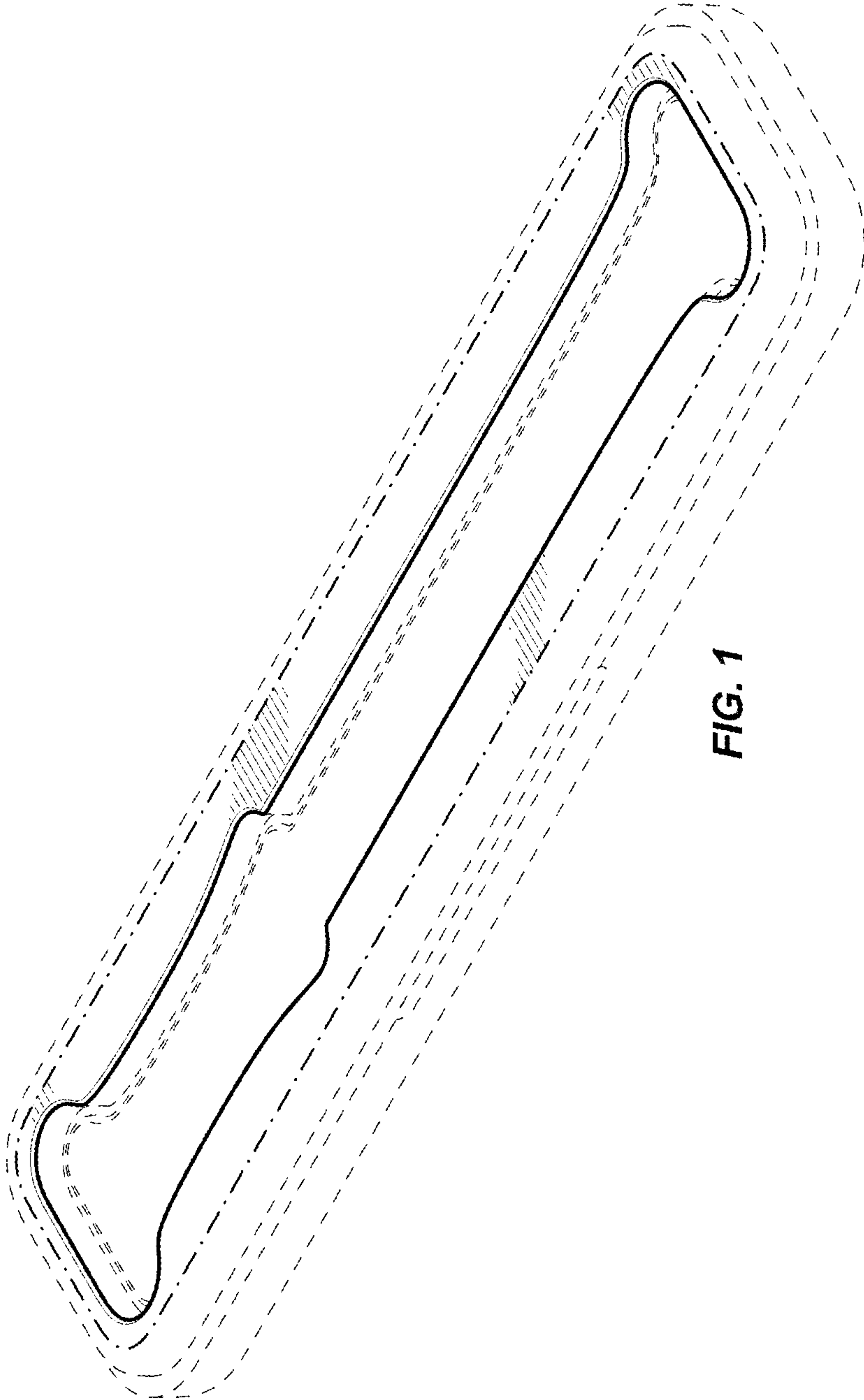


FIG. 1

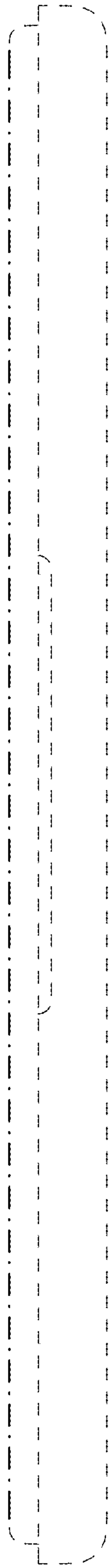


FIG. 2

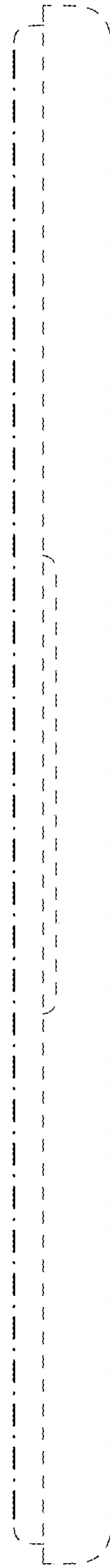


FIG. 3



FIG. 5



FIG. 4

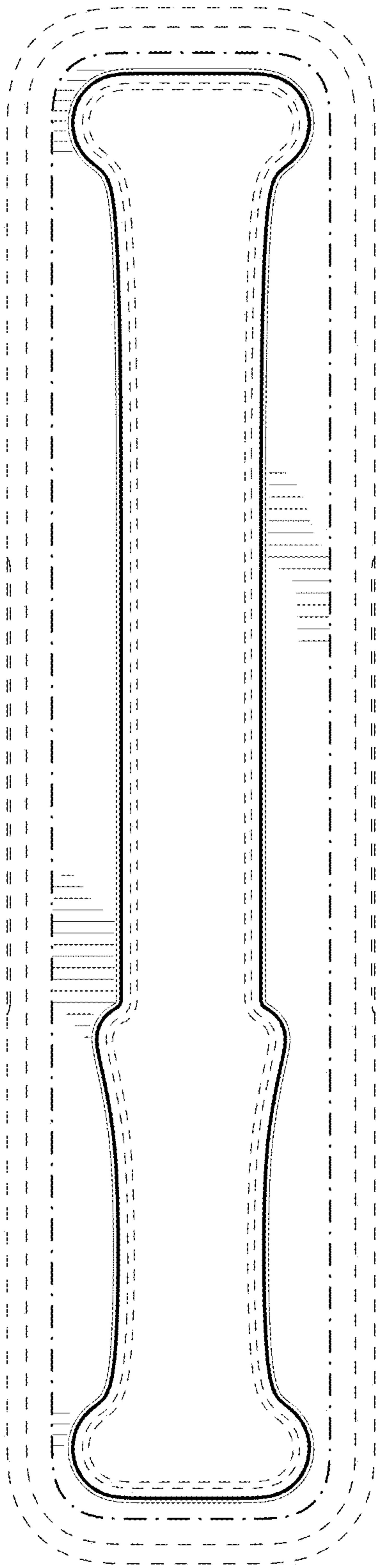


FIG. 6

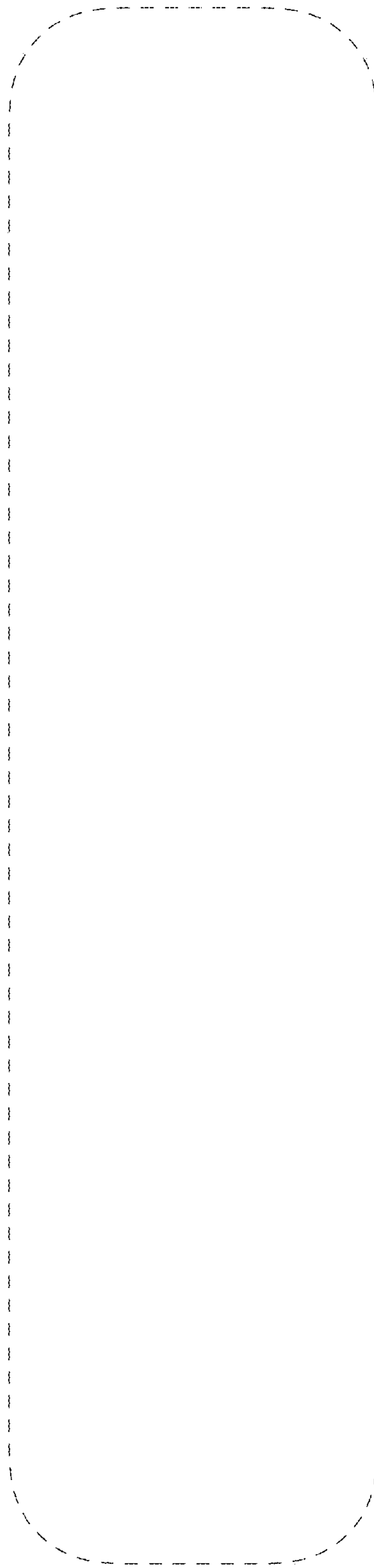


FIG. 7

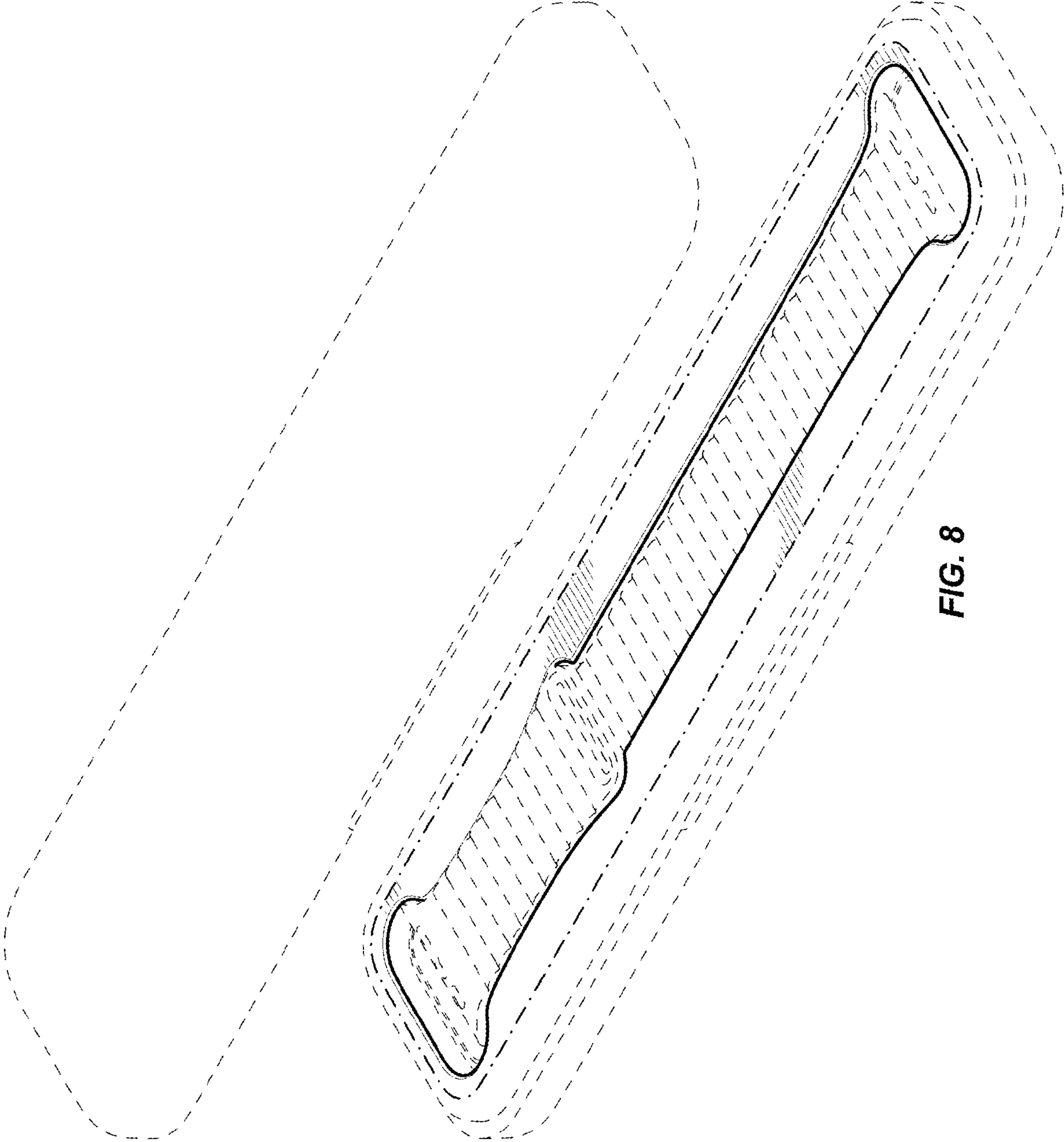


FIG. 8

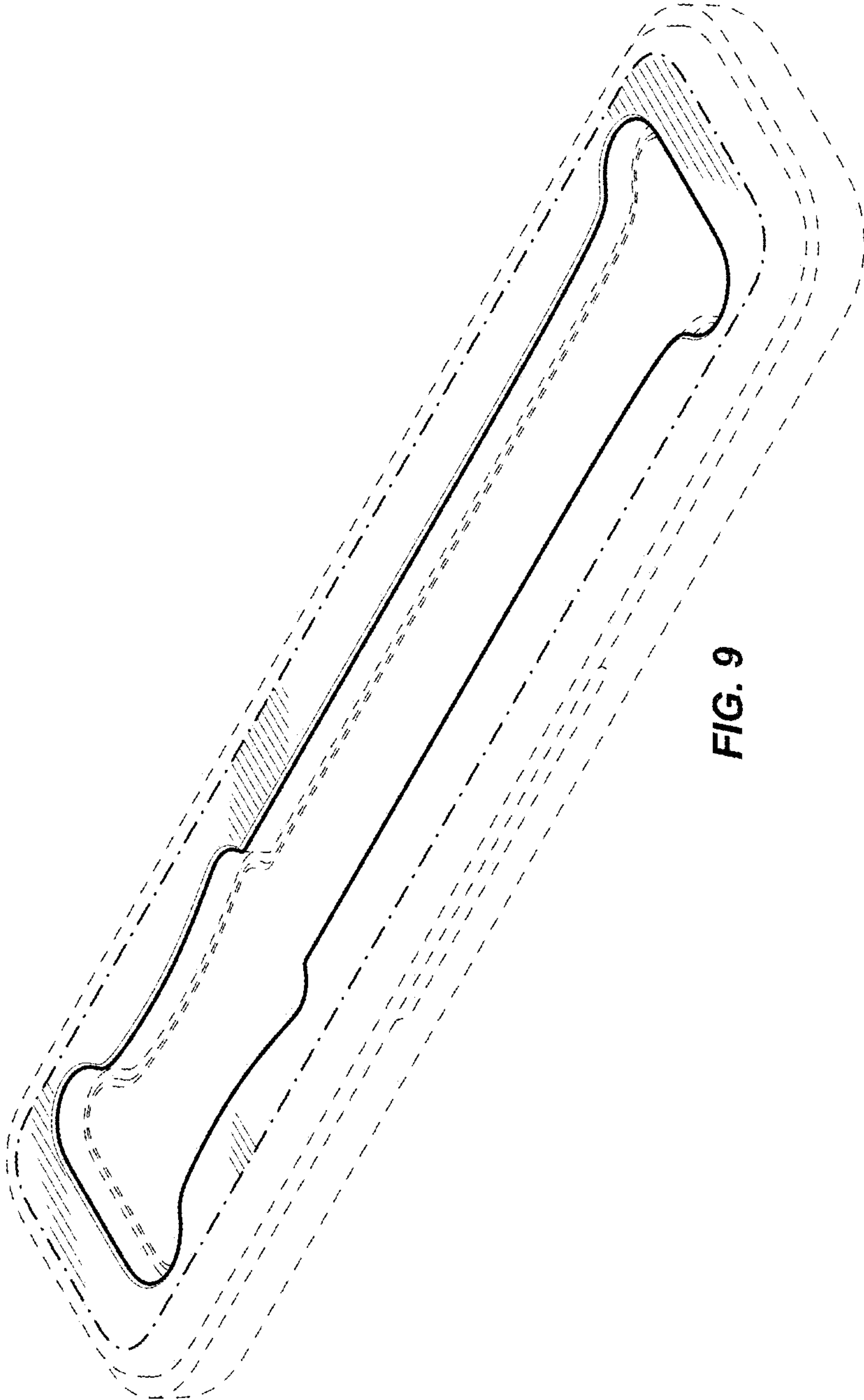


FIG. 9

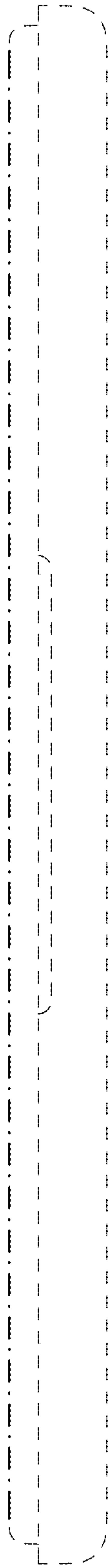


FIG. 10

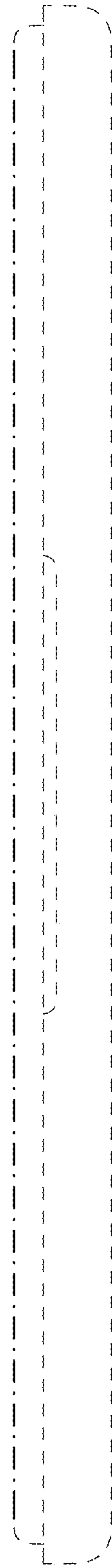


FIG. 11



FIG. 12



FIG. 13

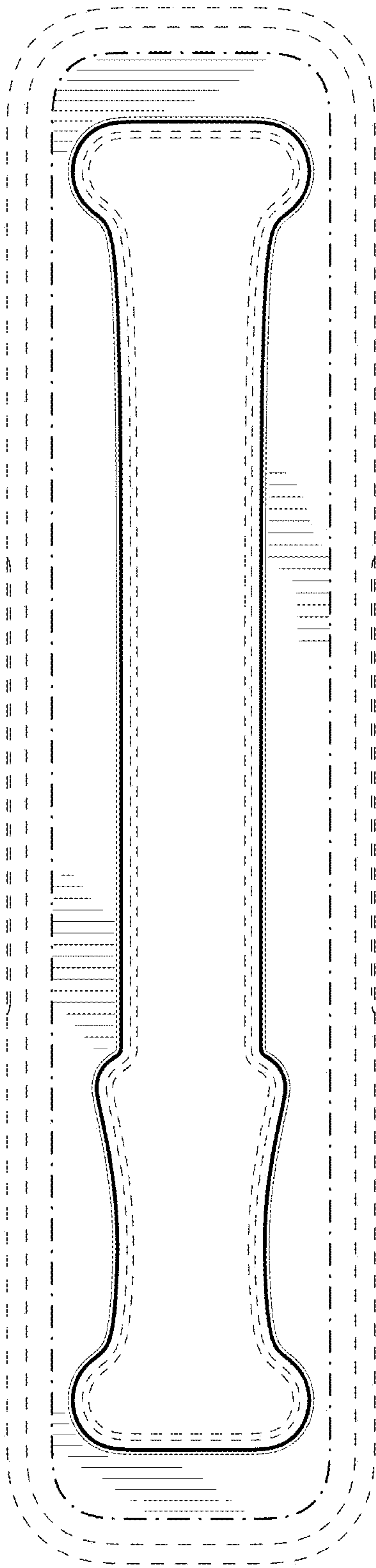


FIG. 14

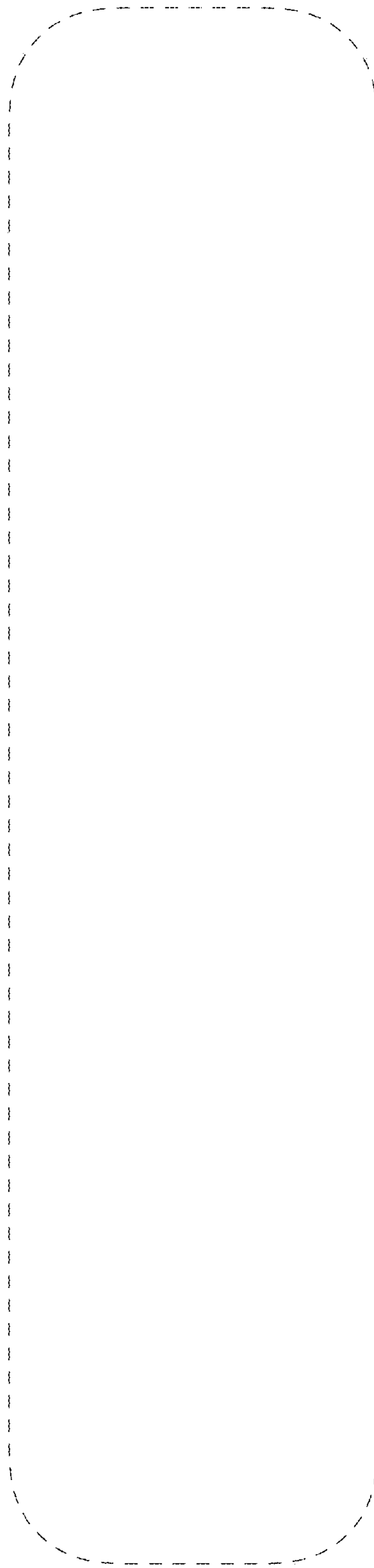


FIG. 15

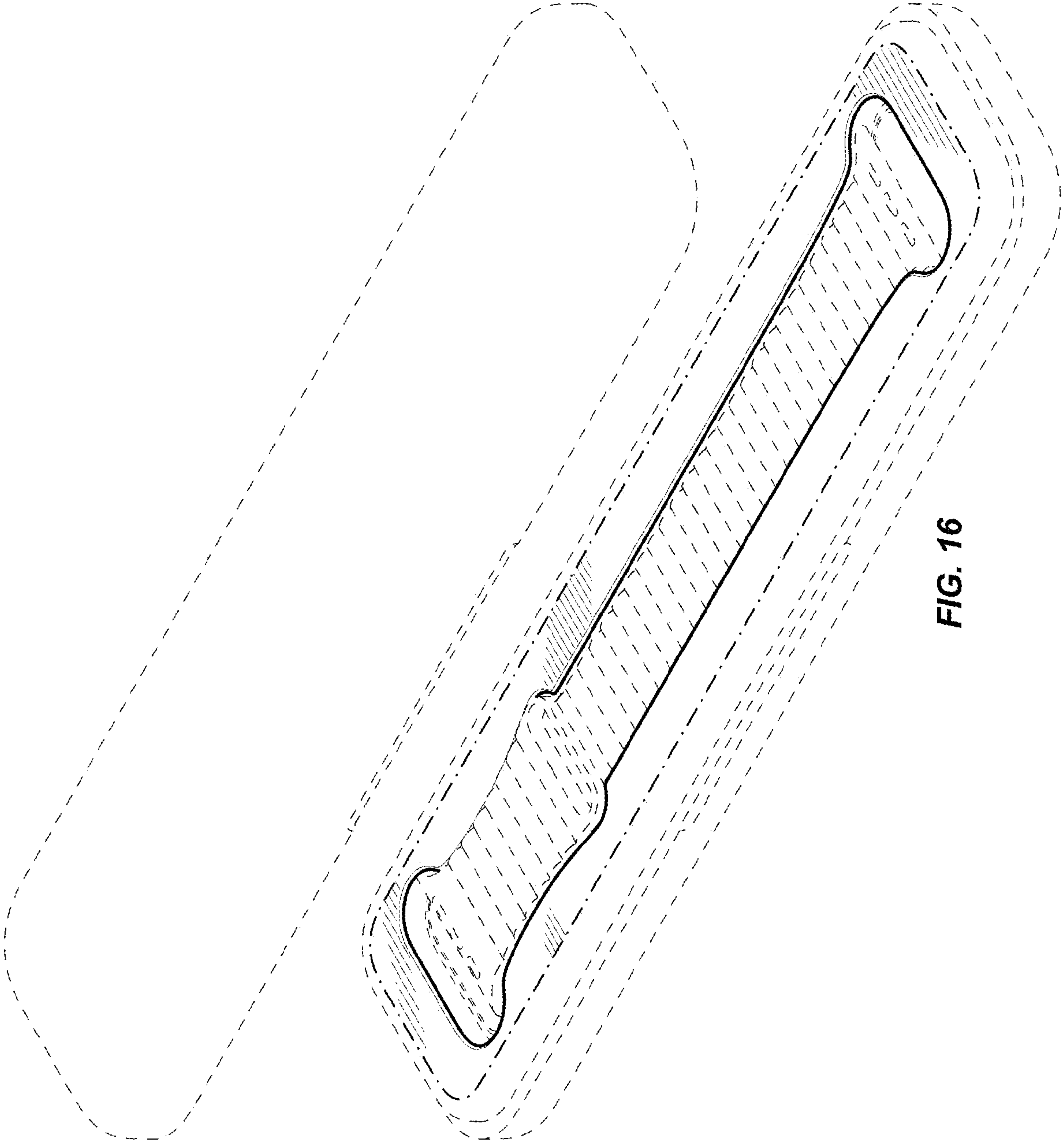


FIG. 16