



US00D872576S

(12) **United States Design Patent** (10) **Patent No.:** **US D872,576 S**
Tomassetti et al. (45) **Date of Patent:** **** Jan. 14, 2020**

(54) **NOZZLE CAP FOR A PRESSURIZED GAS DISPENSING CANISTER**

(71) Applicants: **Peter C. Tomassetti**, Pompano Beach, FL (US); **Louis D. Tomassetti**, Pompano Beach, FL (US)

(72) Inventors: **Peter C. Tomassetti**, Pompano Beach, FL (US); **Louis D. Tomassetti**, Pompano Beach, FL (US)

(**) Term: **15 Years**

(21) Appl. No.: **29/659,829**

(22) Filed: **Aug. 13, 2018**

(51) **LOC (12) Cl.** **09-07**

(52) **U.S. Cl.**
USPC **D9/451**; D9/448

(58) **Field of Classification Search**
USPC D9/428, 429, 432, 434, 435, 436, 439, D9/440, 443, 444, 445, 449-455, 499, D9/500, 503, 504, 705, 448, 600, 607, D9/609, 611, 682, 686; D7/317, 387, D7/391, 392, 392.1, 393, 396.1, 396.2, D7/509-511, 538, 629, 900; D3/202, D3/203.2, 294, 302, 318; D28/91; D30/151, 199

CPC .. A61J 1/00; A61J 1/1412; B65D 1/00; B65D 1/02; B65D 1/10; B65D 1/46; B65D 2585/56; B65D 2585/545; B65D 41/00; B65D 41/38; B65D 41/56; B65D 41/62; B65D 47/00; B65D 47/06; B65D 47/08; B65D 2543/00046; B65D 2543/00092; B65D 2543/00296; B65D 5/46; B65D 2251/00

See application file for complete search history.

(56) **References Cited**

U.S. PATENT DOCUMENTS

3,334,627 A * 8/1967 Gorman A61M 15/009 D9/448
D222,036 S * 9/1971 Carpenter D9/448

D238,934 S * 2/1976 Corba D9/448
4,735,803 A 4/1988 Katz et al.
4,847,292 A 7/1989 Katz et al.
D325,348 S * 4/1992 Bishop D9/448
D328,708 S * 8/1992 Kanthak D9/448
D353,537 S * 12/1994 Starrett D9/448
D386,684 S * 11/1997 Marogil D9/448
D416,490 S * 11/1999 Kunesh D9/448
D506,389 S * 6/2005 Geier D9/448
D529,381 S * 10/2006 Castillo Higareda D9/448
7,174,856 B2 2/2007 Neri
D572,141 S * 7/2008 Slabaugh D9/607
D576,874 S * 9/2008 Miller D9/448
D587,576 S * 3/2009 Miller D9/448
D591,162 S * 4/2009 Slabaugh D9/607
D591,914 S * 5/2009 Witham D30/199

(Continued)

Primary Examiner — Michael A. Pratt

Assistant Examiner — Wendy L Arminio

(74) *Attorney, Agent, or Firm* — Robert M. Downey, P.A.

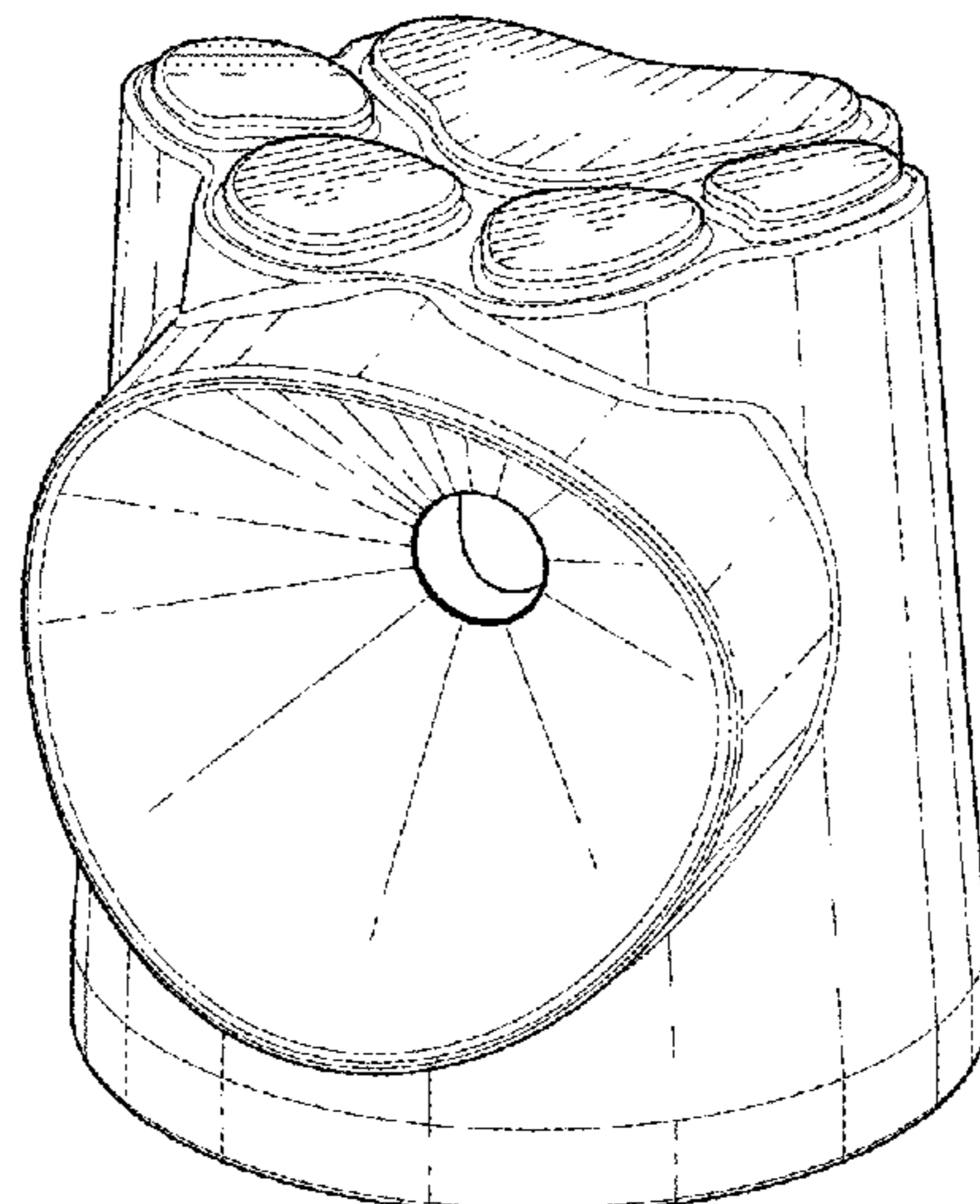
(57) **CLAIM**

The ornamental design for a nozzle cap for a pressurized gas dispensing canister, as shown and described.

DESCRIPTION

FIG. 1 is a front, top perspective view of a nozzle cap for a pressurized gas dispensing canister showing our new design; FIG. 2 is a front elevational view thereof; FIG. 3 is a rear elevational view thereof; FIG. 4 is a top plan view thereof; FIG. 5 is a bottom plan view thereof; FIG. 6 is a left side elevational view thereof; and, FIG. 7 is a right side elevational view thereof. The broken lines shown in FIG. 5 form no part of the claimed design.

1 Claim, 7 Drawing Sheets



(56)

References Cited

U.S. PATENT DOCUMENTS

D610,453	S *	2/2010	Cichy	D9/448
7,658,166	B1	2/2010	Rheinschmidt, Jr. et al.	
D622,028	S *	8/2010	Kerr	D1/107
D650,147	S *	12/2011	Kerr	D1/106
D654,245	S *	2/2012	School	D99/5
D659,535	S *	5/2012	Gidlow	D9/448
D676,202	S *	2/2013	Hansen	D30/199
D693,862	S *	11/2013	Wirth, Jr.	D15/140
D697,687	S *	1/2014	Kerr	D1/107
9,044,395	B2	6/2015	McGlone et al.	
9,314,804	B1 *	4/2016	Harrower	B05B 1/28
D840,816	S *	2/2019	Sireau	D9/451
2007/0272144	A1 *	11/2007	Tomassetti	G08B 7/06 116/3

* cited by examiner

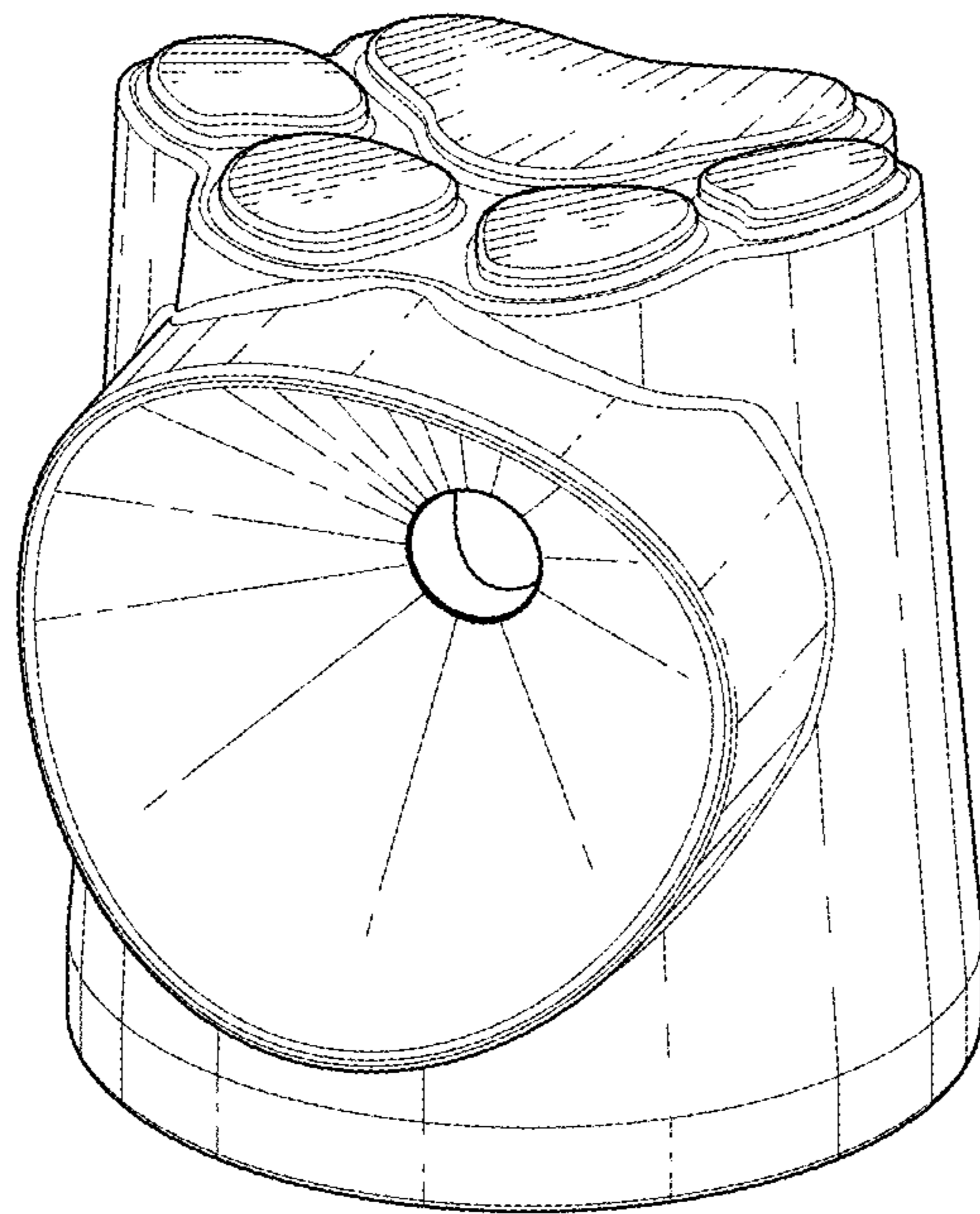


FIG. 1

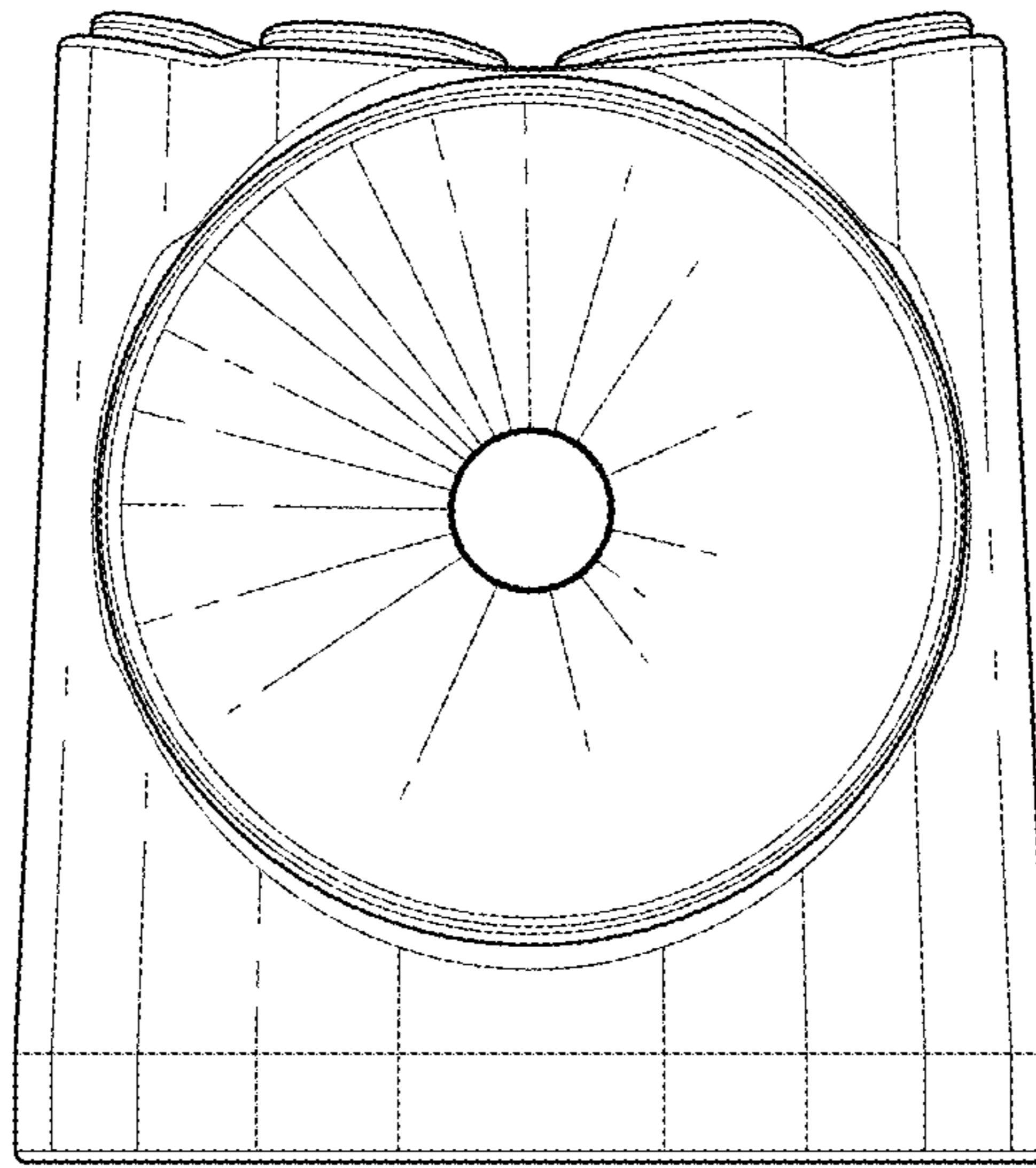


FIG. 2

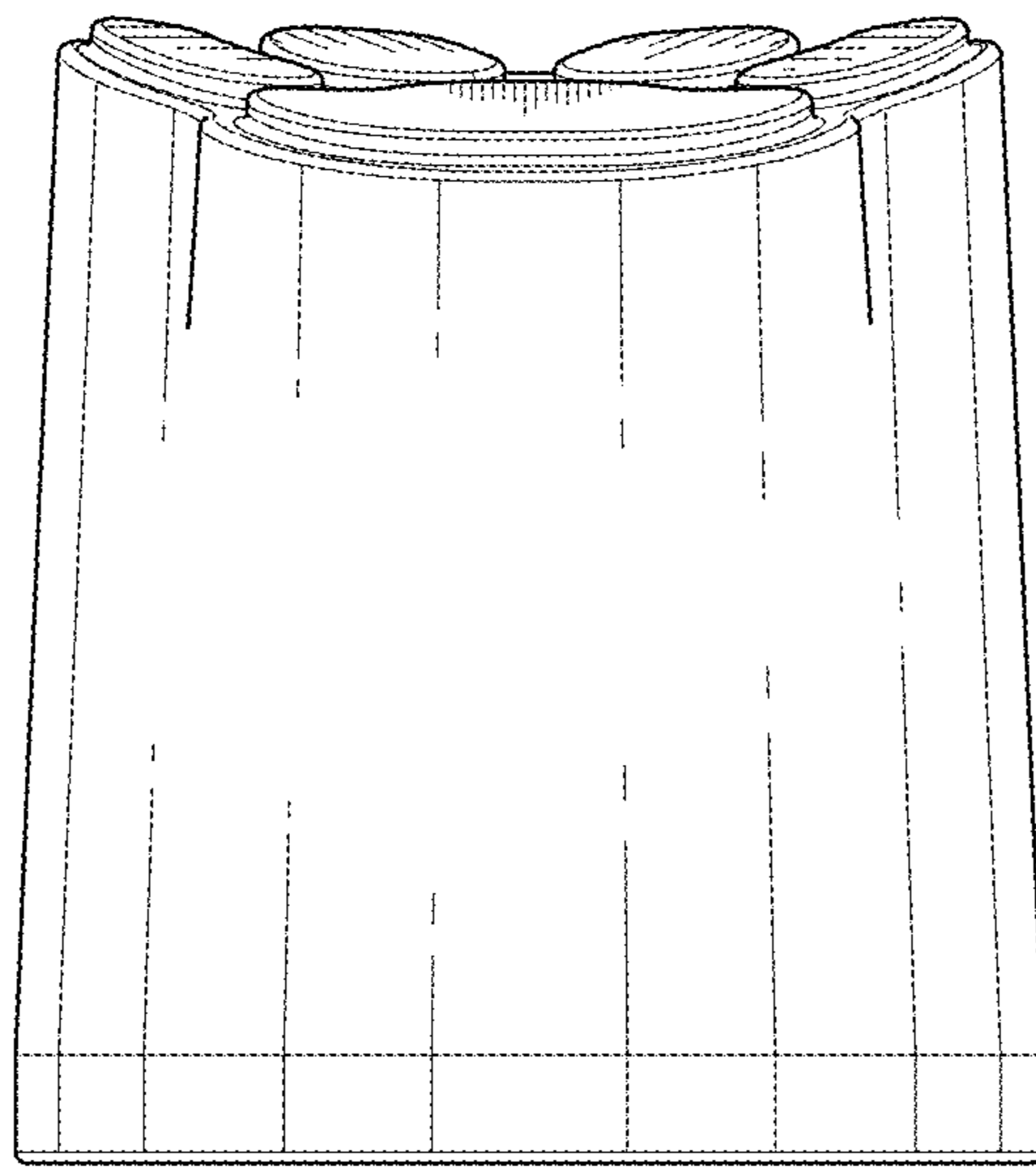


FIG.3

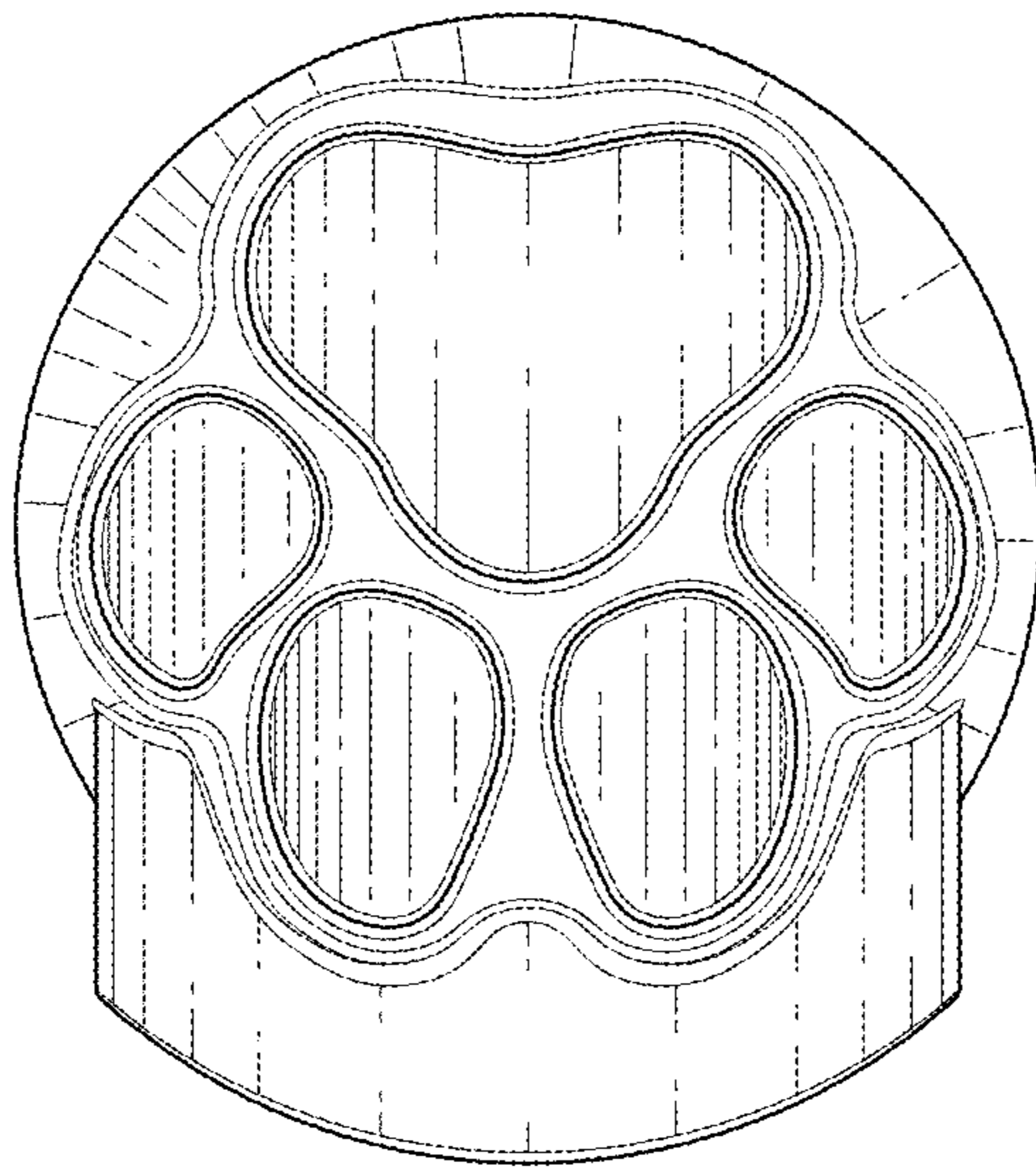


FIG. 4

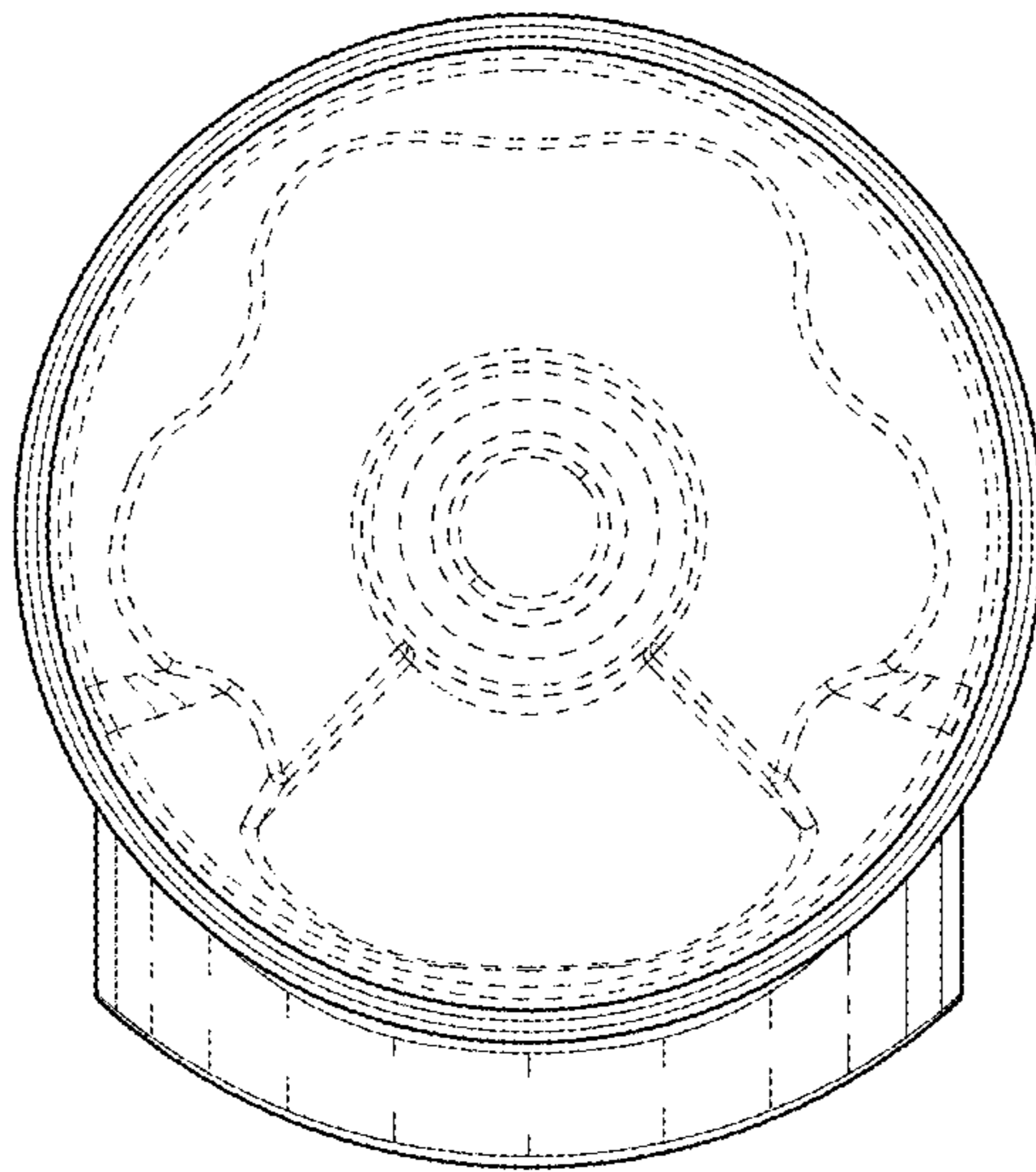


FIG. 5

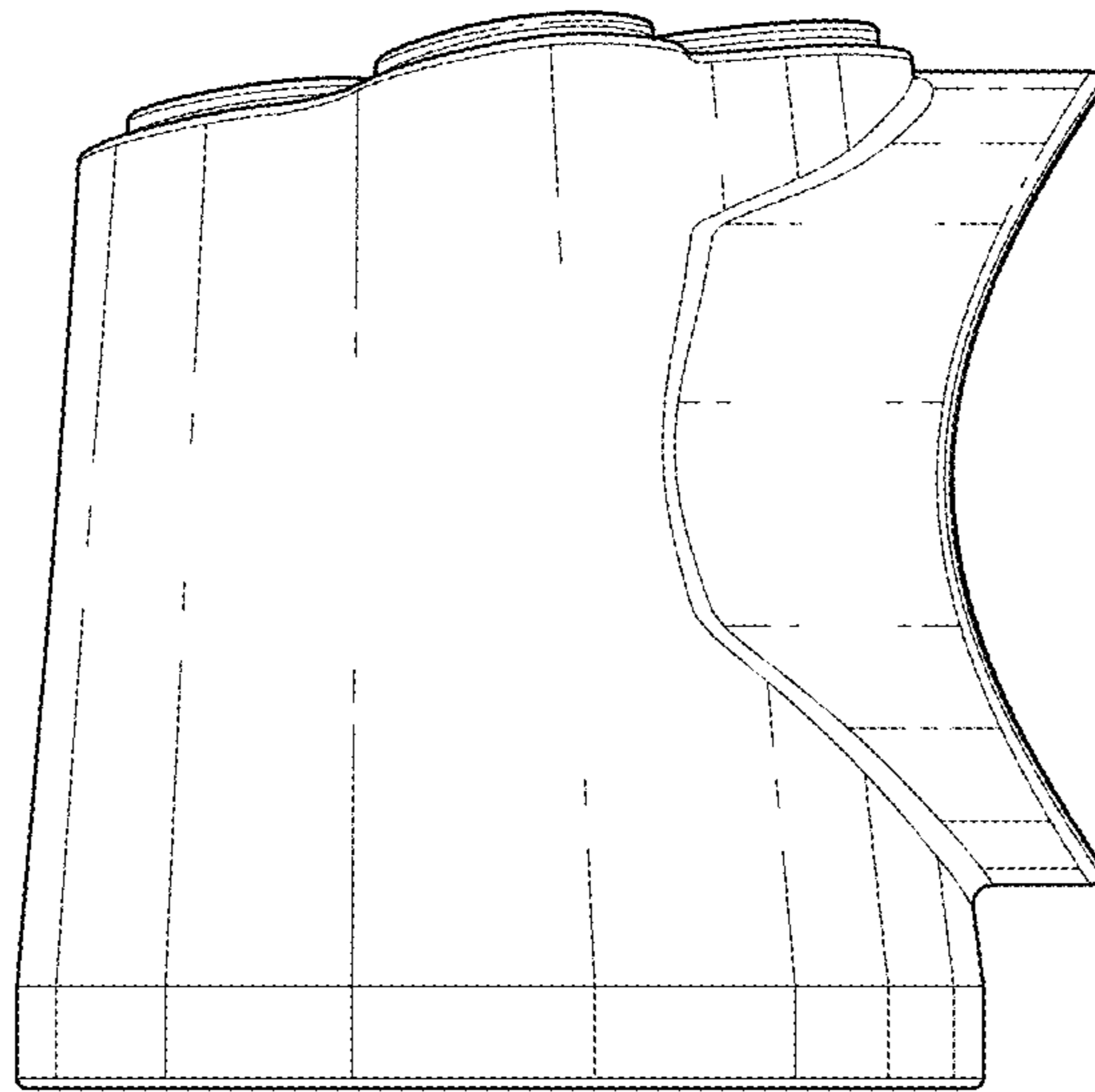


FIG. 6

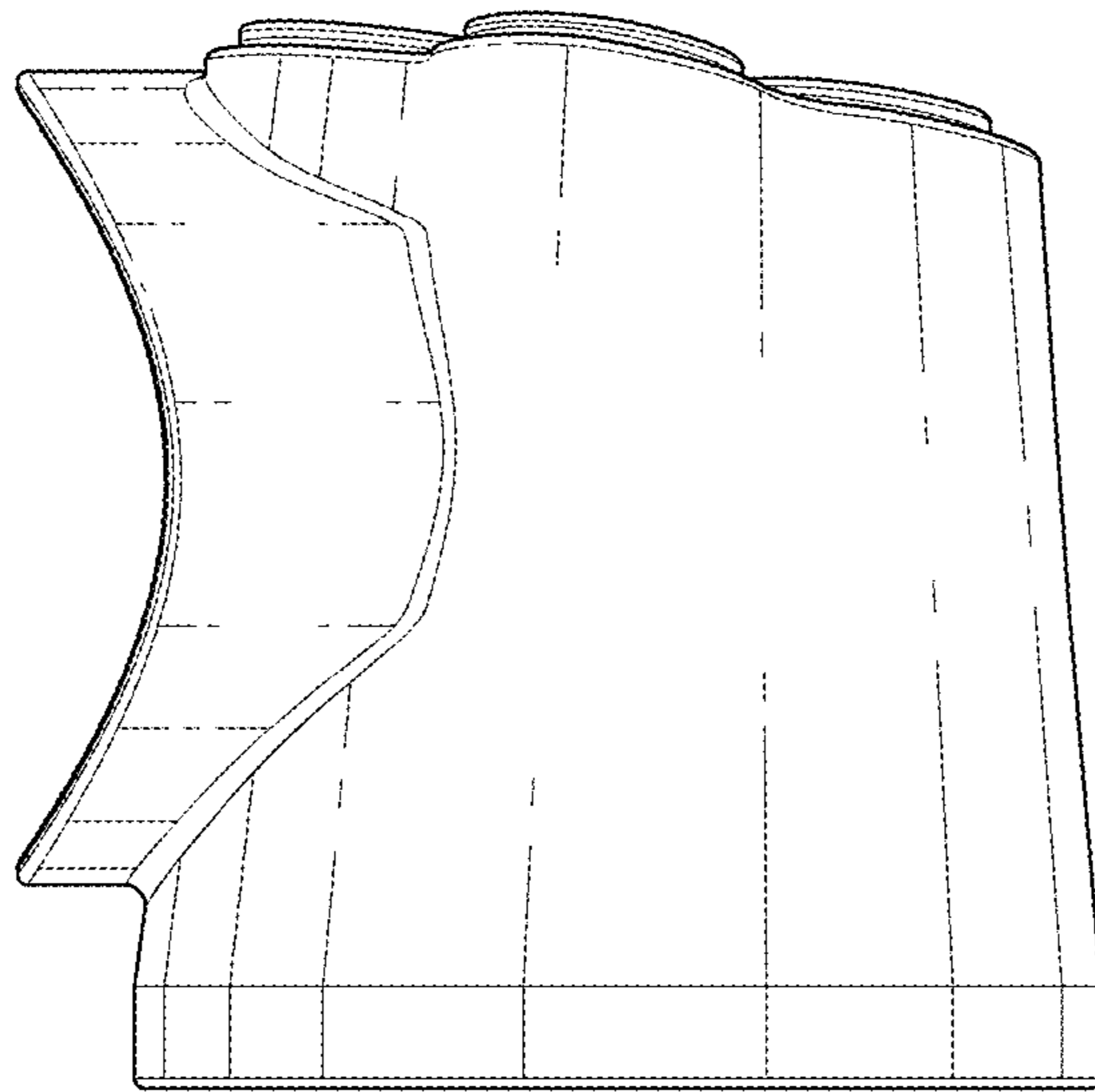


FIG. 7