



US00D872575S

(12) **United States Design Patent**
Tebbs

(10) **Patent No.:** **US D872,575 S**
(45) **Date of Patent:** **** Jan. 14, 2020**

(54) **BOTTLE CAP**

(71) Applicant: **Karen Tebbs**, Orem, UT (US)

(72) Inventor: **Karen Tebbs**, Orem, UT (US)

(**) Term: **15 Years**

(21) Appl. No.: **29/637,957**

(22) Filed: **Feb. 23, 2018**

(51) **LOC (12) Cl.** **09-06**

(52) **U.S. Cl.**
USPC **D9/446**

(58) **Field of Classification Search**
USPC D9/414, 416, 425, 434, 435, 436, 438,
D9/439, 440, 442, 443, 446-450,
D9/452-457, 499, 503-505, 682, 685,
D9/686; D7/387, 391, 392, 392.1, 393,
D7/394, 396.1-396.4, 401.1, 503-505,
D7/509-511, 538, 900; D3/201, 202,
D3/203.2, 318; D28/91, 91.1
CPC .. A61J 1/00; A61J 1/1412; B65D 1/00; B65D
1/02; B65D 1/10; B65D 1/46; B65D
2585/56; B65D 2585/545; B65D 41/00;
B65D 41/38; B65D 41/56; B65D 41/62;
B65D 47/00; B65D 47/06; B65D 47/08;
B65D 2543/00046; B65D 2543/00092;
B65D 2543/00296; B65D 5/46; B65D
2251/00
See application file for complete search history.

(56) **References Cited**
U.S. PATENT DOCUMENTS

D193,121 S * 6/1962 Wickman D9/446
3,160,327 A * 12/1964 Porcelli B65D 47/103
220/258.2
D404,646 S * 1/1999 Black, Sr. D9/440

D464,262 S * 10/2002 Drennow D9/446
7,726,505 B2 * 6/2010 Cheung F16K 17/28
206/543
D678,767 S * 3/2013 Haley D9/440
D679,589 S * 4/2013 Hauth D9/446
D730,730 S * 6/2015 Haley D9/440
D750,490 S * 3/2016 Moore D9/446
9,618,130 B1 * 4/2017 Nguyen F16K 15/147
10,181,672 B2 * 1/2019 Yanagihara B62K 11/14
2005/0184026 A1 * 8/2005 Haley B65D 47/06
215/306
2010/0096398 A1 * 4/2010 Gorskey B65D 47/06
220/793

* cited by examiner

Primary Examiner — Michael A. Pratt
Assistant Examiner — Wendy L Arminio
(74) *Attorney, Agent, or Firm* — Amy Fiene PC

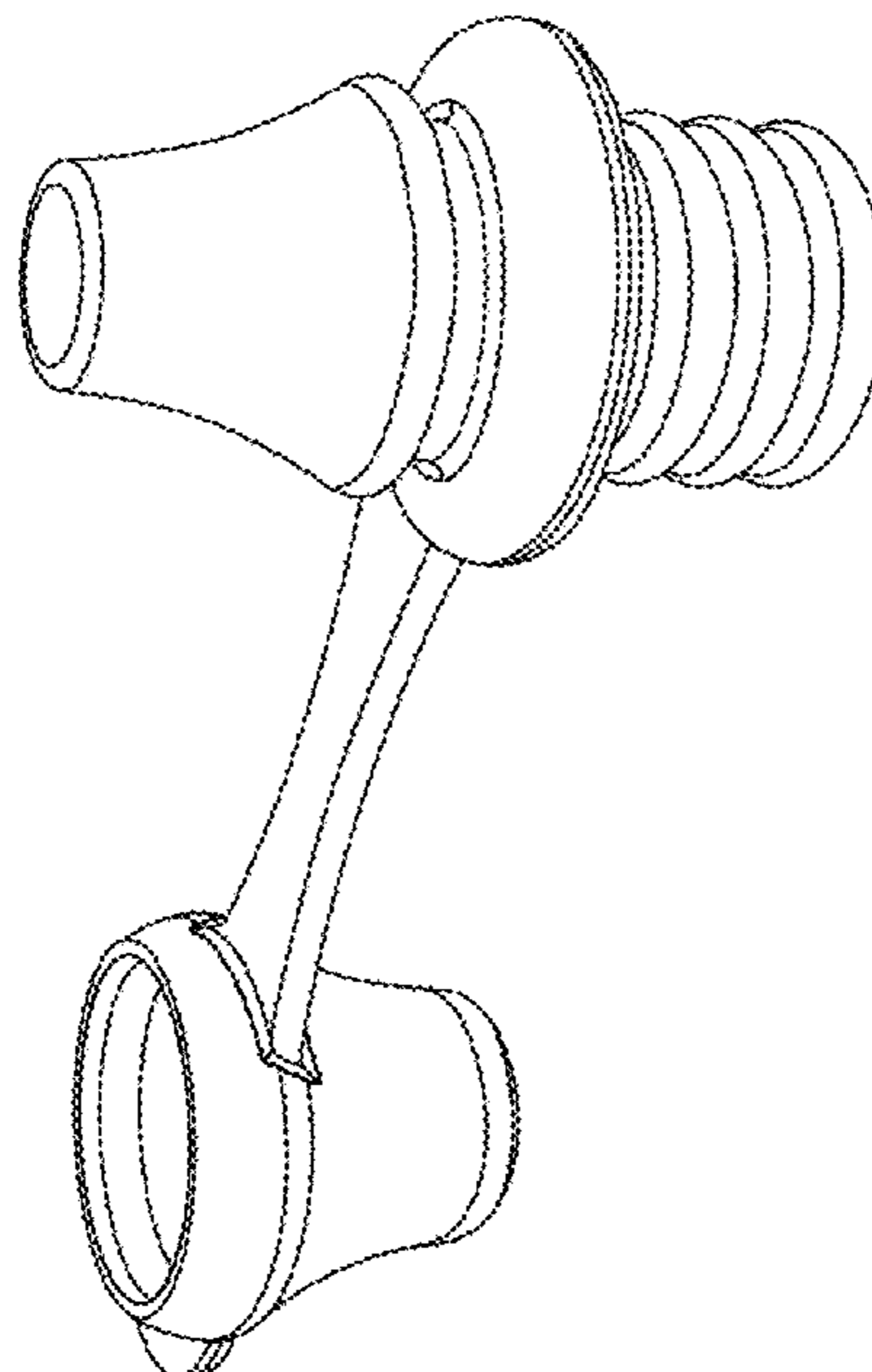
(57) **CLAIM**

The ornamental design for a bottle cap, as shown and described.

DESCRIPTION

FIG. 1 is a front perspective view of a bottle cap showing my new design;
FIG. 2 is a side view thereof;
FIG. 3 is a top view thereof;
FIG. 4 is a bottom view thereof;
FIG. 5 is a side view thereof shown in a position of use on a bottle drawn in broken lines; and,
FIG. 6 is a side view thereof shown in an alternative closed configuration and in a position of use on a bottle drawn in broken lines.
The broken lines in FIGS. 5 and 6 illustrating a bottle depict environment and form no part of the claimed design. All other broken lines depict portions of the bottle cap that form no part of the claimed design.

1 Claim, 6 Drawing Sheets



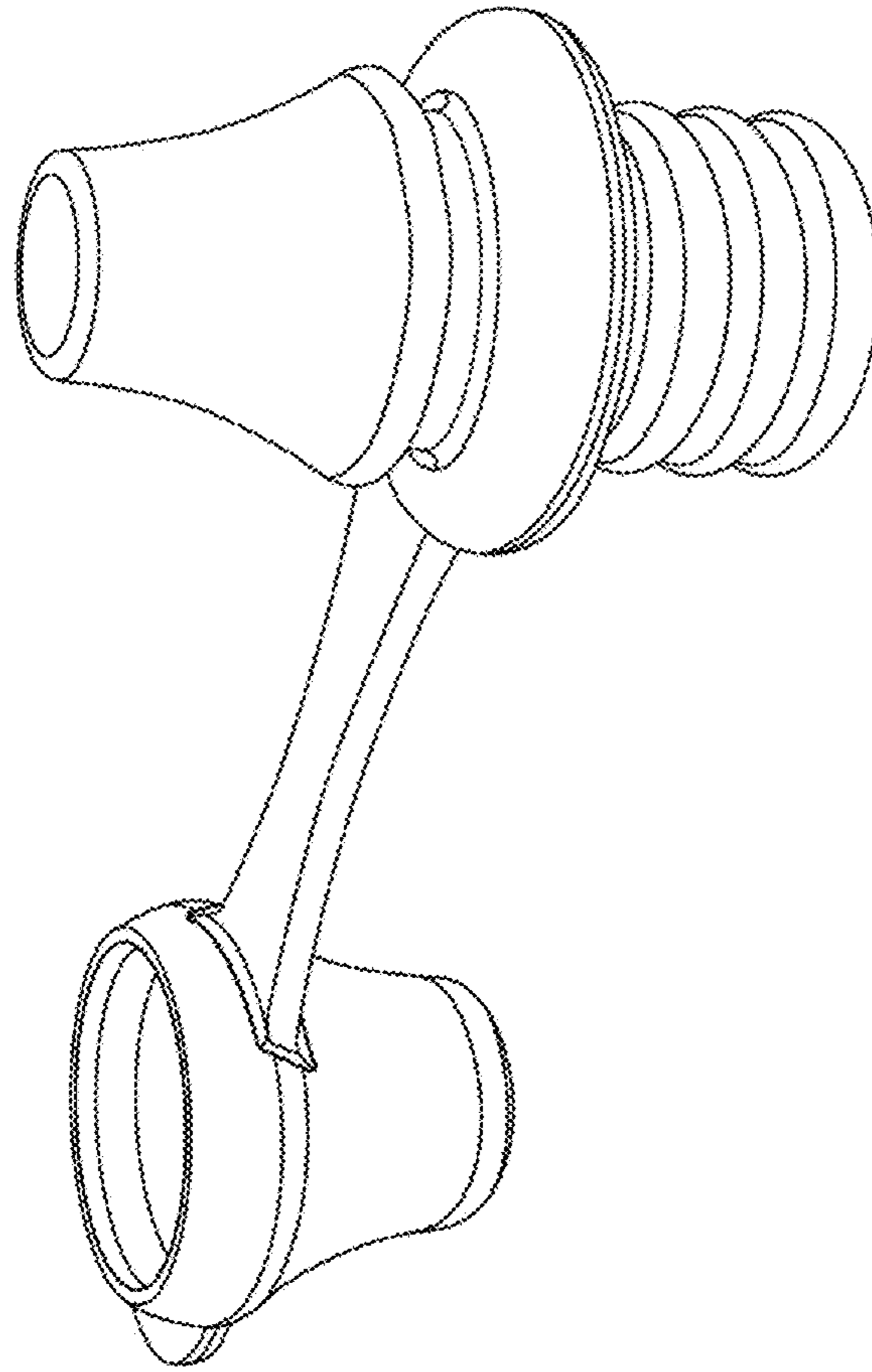


FIG. 1

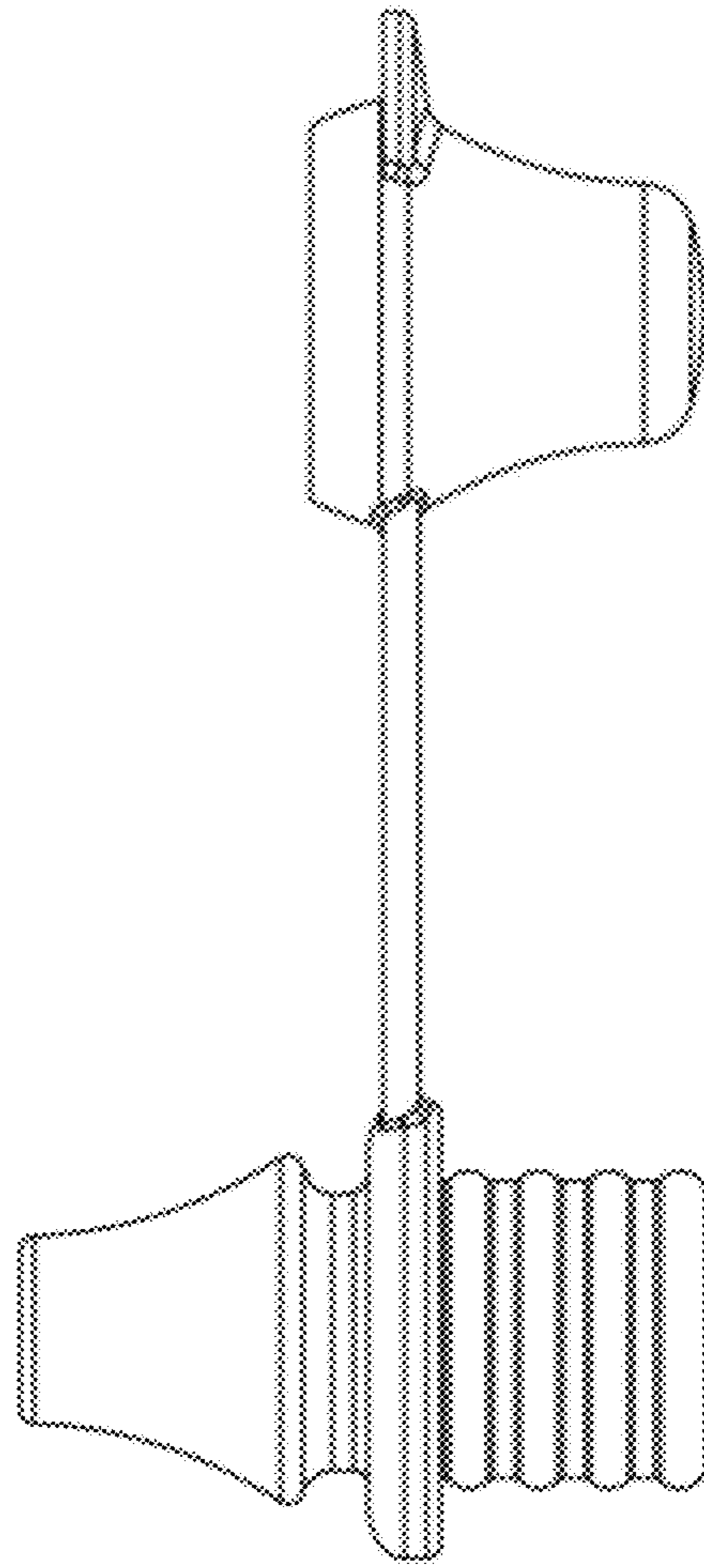


FIG. 2

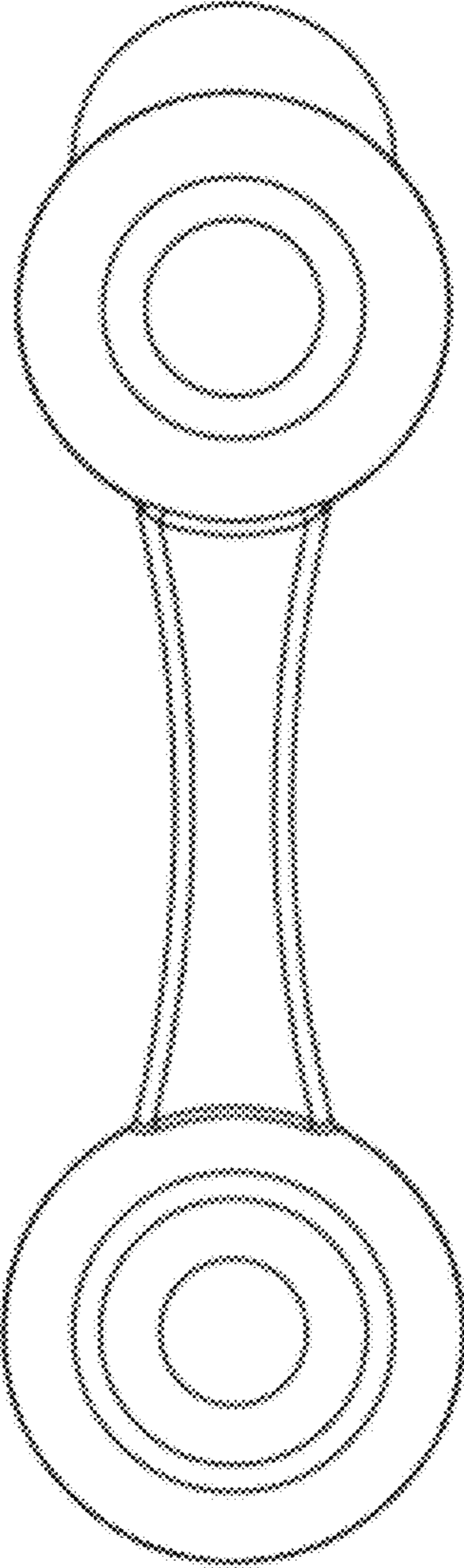


FIG. 3

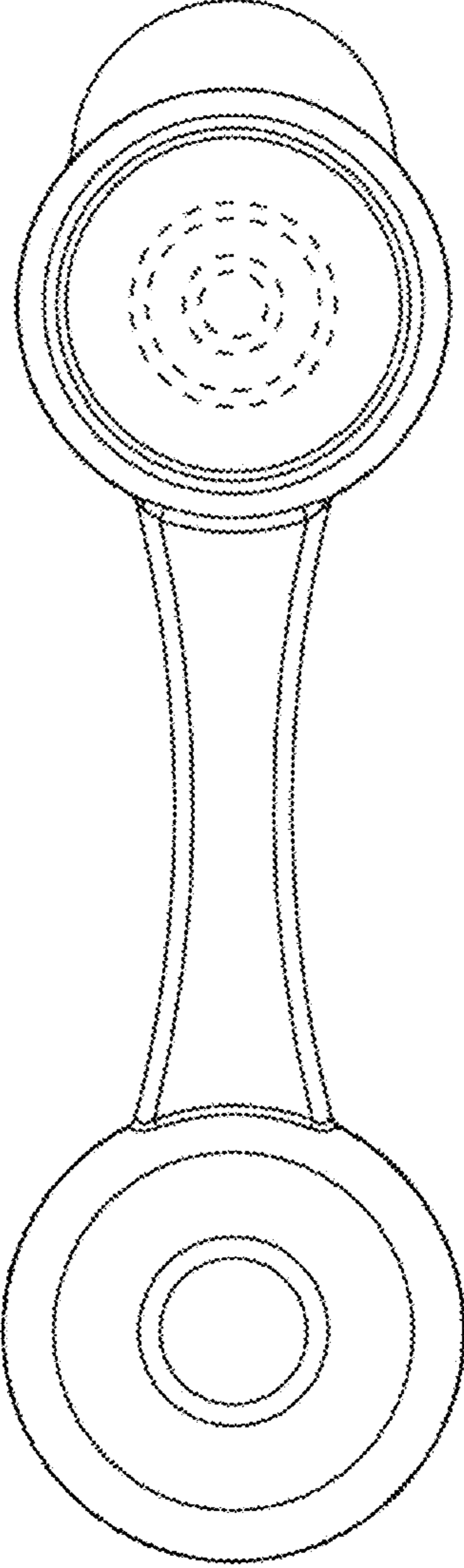


FIG. 4

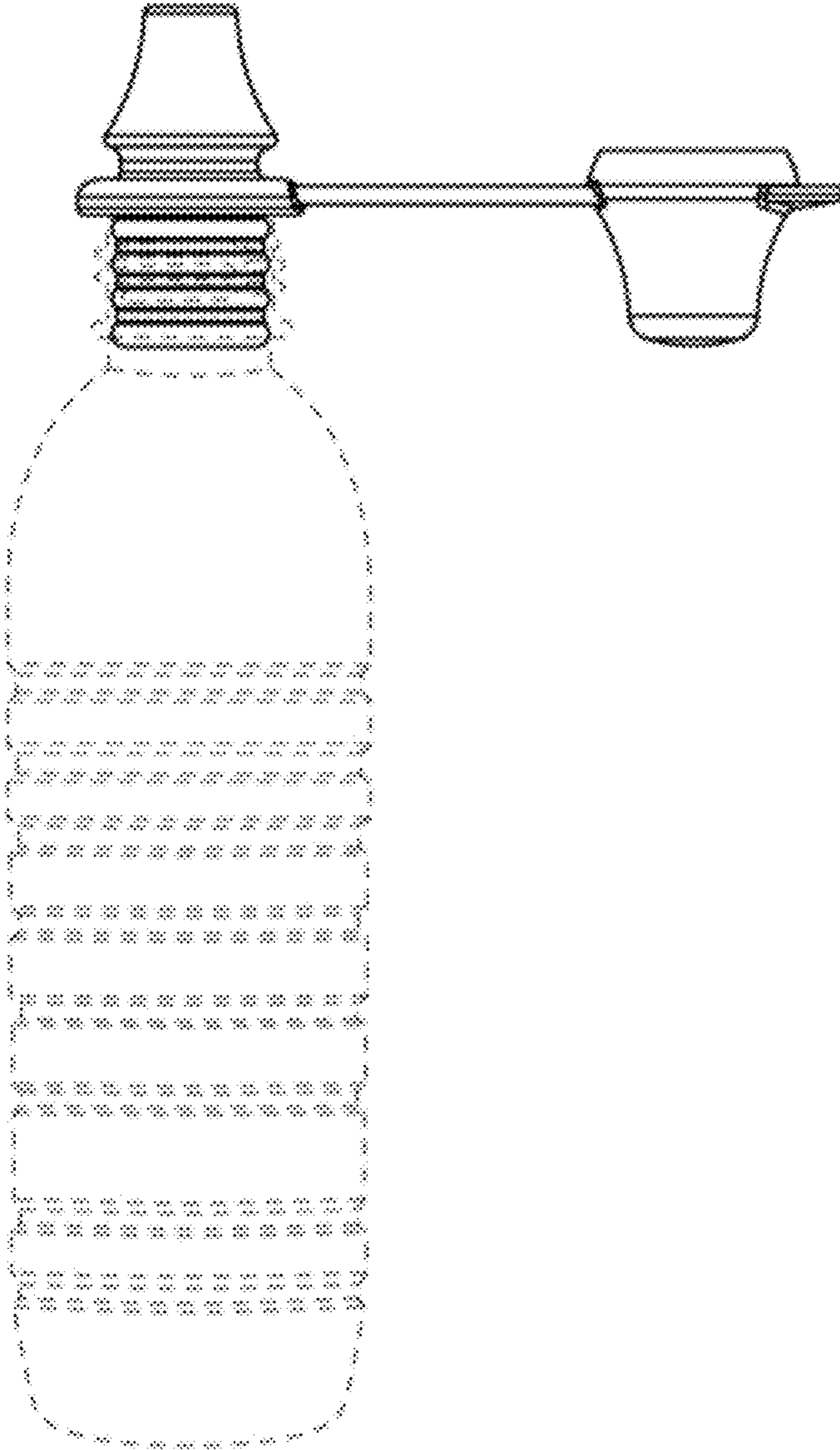


FIG. 5

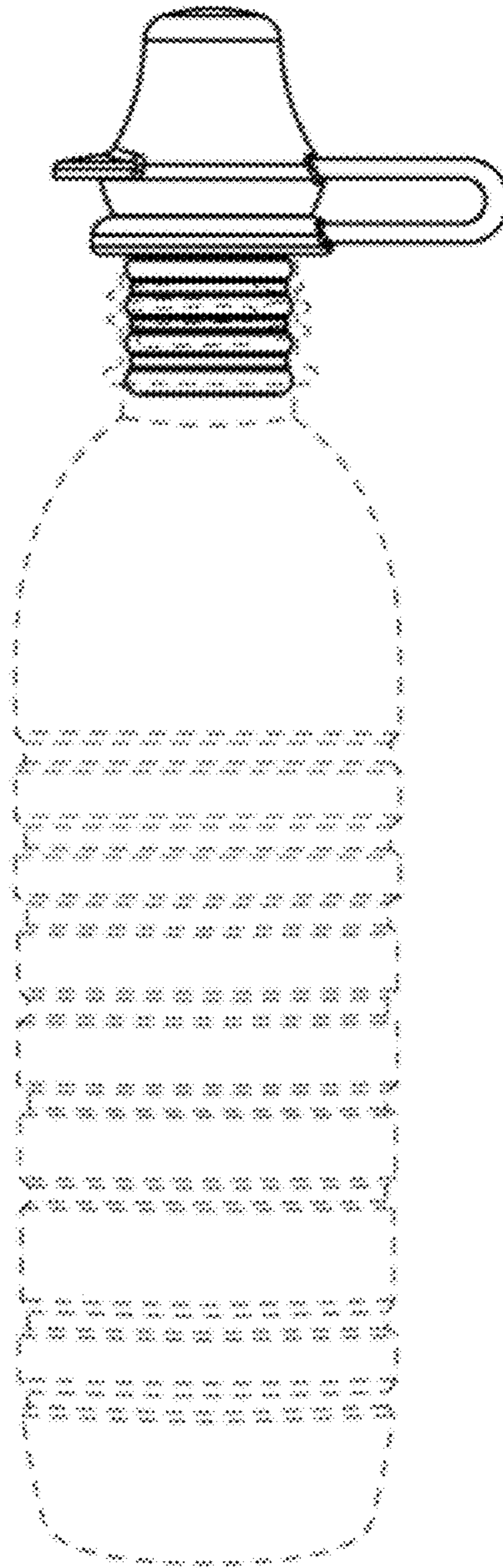


FIG. 6