



US00D872574S

(12) **United States Design Patent** (10) **Patent No.:** **US D872,574 S**
Deylamian et al. (45) **Date of Patent:** **** *Jan. 14, 2020**

(54) **BOTTLE**

(71) Applicant: **OnMyWhey, LLC**, San Jose, CA (US)

(72) Inventors: **Farbod Deylamian**, New York, NY (US); **Kyle Lewis**, San Mateo, CA (US); **Kayvon Pourmirzaie**, San Jose, CA (US)

(73) Assignee: **OnMyWhey, LLC**, Burlingame, CA (US)

(*) Notice: This patent is subject to a terminal disclaimer.

(**) Term: **15 Years**

(21) Appl. No.: **29/679,732**

(22) Filed: **Feb. 8, 2019**

Related U.S. Application Data

(63) Continuation of application No. 29/617,382, filed on Sep. 13, 2017, now Pat. No. Des. 844,438, which is a continuation of application No. 29/617,385, filed on Sep. 13, 2017, now Pat. No. Des. 844,439.

(51) **LOC (12) Cl.** **09-07**

(52) **U.S. Cl.**
USPC **D9/436**; D9/454

(58) **Field of Classification Search**
USPC D9/434-436, 443, 454, 499, 500-504, D9/516, 529, 549, 558, 715, 719, 722, D9/741, 745-746; D3/203.1-203.2, D3/207-208, 212, 215; D7/391, 507, D7/590, 629-630
CPC B65D 1/00; B65D 1/02; B65D 1/0223; B65D 11/04; B65D 23/00; B65D 23/0003; B65D 51/24; B65D 2313/00; B65D 2501/00; B65D 2501/0009; B65D 2501/0072; B65D 1/06; A63B 29/02; Y10T 24/45346; Y10T 24/45435

See application file for complete search history.

(56) **References Cited**

U.S. PATENT DOCUMENTS

D246,029 S	10/1977	Lynn et al.	
D272,722 S	2/1984	Haakenson	
D315,095 S	3/1991	Wright	
D316,671 S	5/1991	Rohmeder	
D481,937 S	11/2003	McRae	
D489,171 S	5/2004	Jackson	
D530,195 S	10/2006	Marry et al.	
D606,447 S	12/2009	West et al.	
D612,240 S	3/2010	Cresswell et al.	
D618,906 S	7/2010	Covington et al.	
D633,808 S	3/2011	Titherington	
D646,888 S *	10/2011	Kieswetter	D3/208
D653,116 S *	1/2012	McMahon	D9/542
D654,366 S *	2/2012	Presche	D9/504

(Continued)

Primary Examiner — Dana Meyrow

(74) *Attorney, Agent, or Firm* — Young Basile Hanlon & MacFarlane, P.C.

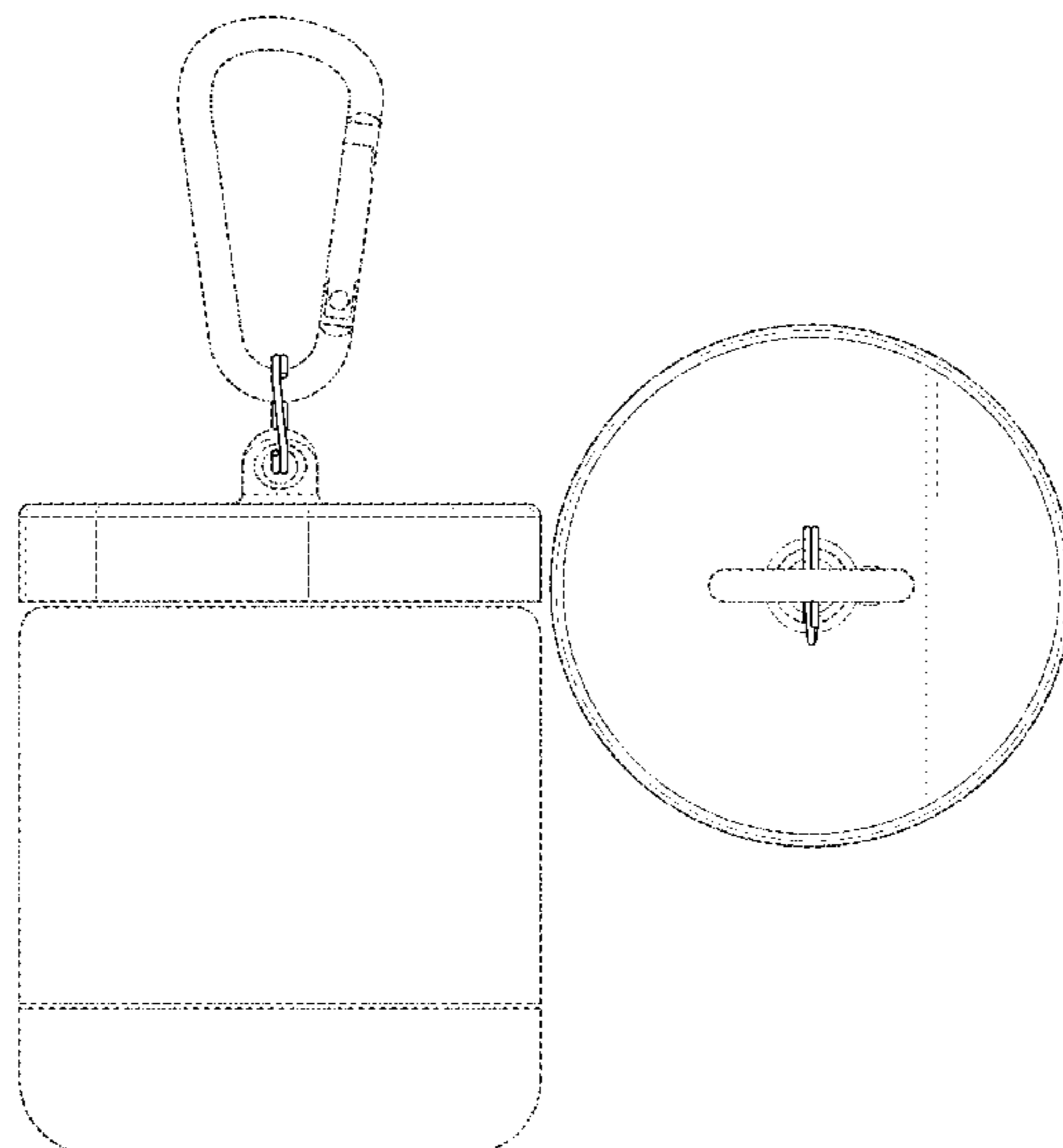
(57) **CLAIM**

The ornamental design for a bottle, as shown and described.

DESCRIPTION

FIG. 1 is a first perspective view of an embodiment of a bottle.
FIG. 2 is a second perspective view of the bottle shown in FIG. 1.
FIG. 3 is a front view of the bottle shown in FIG. 1.
FIG. 4 is a back view of the bottle shown in FIG. 1.
FIG. 5 is a left view of the bottle shown in FIG. 1.
FIG. 6 is a right view of the bottle shown in FIG. 1; and, FIG. 7 is a top view of the bottle shown in FIG. 1.
The broken lines shown in the drawings are included for purposes of illustrating portions of the bottle and form no part of the claimed design.

1 Claim, 7 Drawing Sheets



(56)

References Cited

U.S. PATENT DOCUMENTS

D679,960	S	4/2013	Hopkins et al.	
D680,319	S	4/2013	Lawrence	
D680,387	S	4/2013	Hopkins et al.	
D690,161	S	* 9/2013	Garner	D7/510
D690,772	S	10/2013	Kado	
D752,925	S	4/2016	Lewis et al.	
D759,480	S	6/2016	Shugar	
D807,177	S	1/2018	Belinsky et al.	
D831,489	S	10/2018	Deylamian et al.	
D832,100	S	* 10/2018	Deylamian	D9/443
D832,106	S	* 10/2018	Deylamian	D9/516
D844,435	S	4/2019	Deylamian et al.	
D844,436	S	4/2019	Deylamian et al.	
D844,438	S	4/2019	Deylamian et al.	
D844,439	S	4/2019	Deylamian et al.	
2011/0309083	A1	12/2011	Hsiu-Tzu	
2018/0162582	A1	6/2018	Deylamian et al.	

* cited by examiner

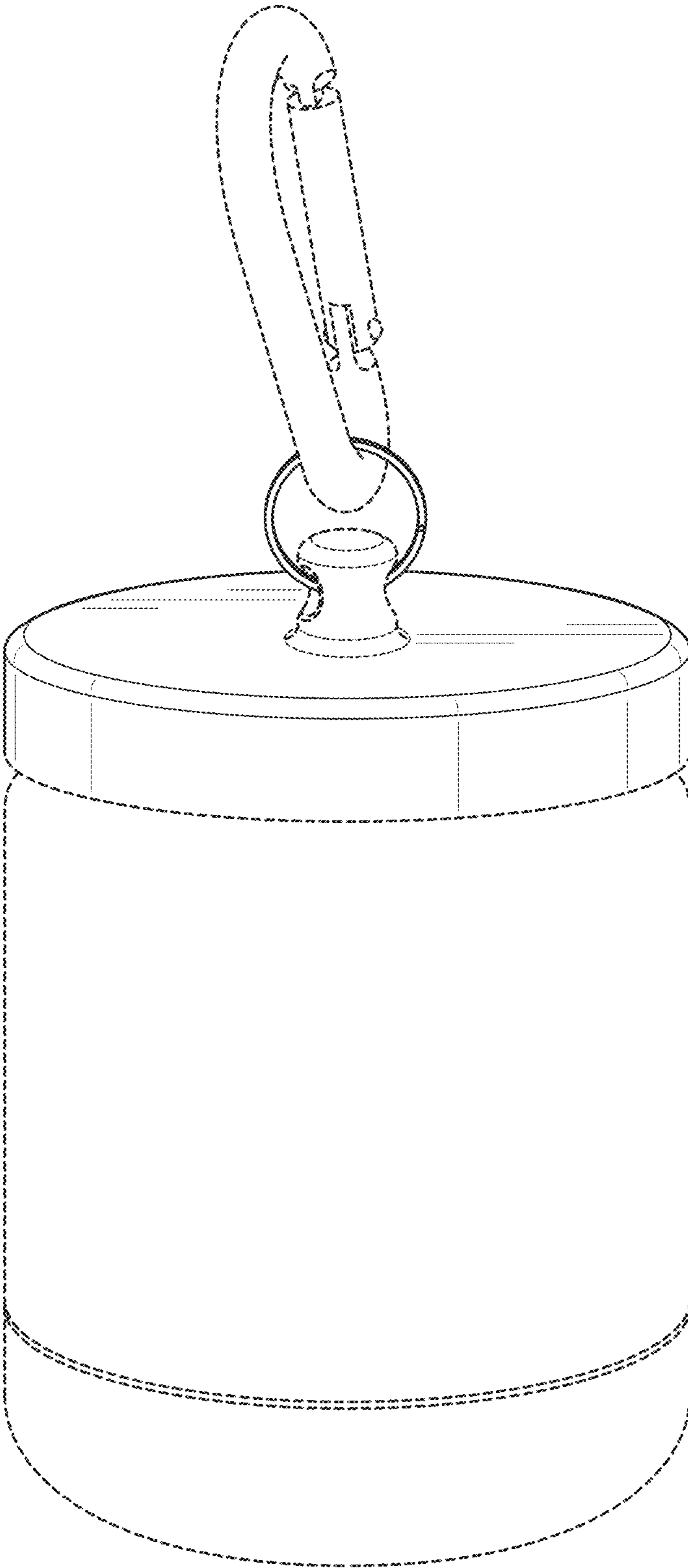


FIG. 1

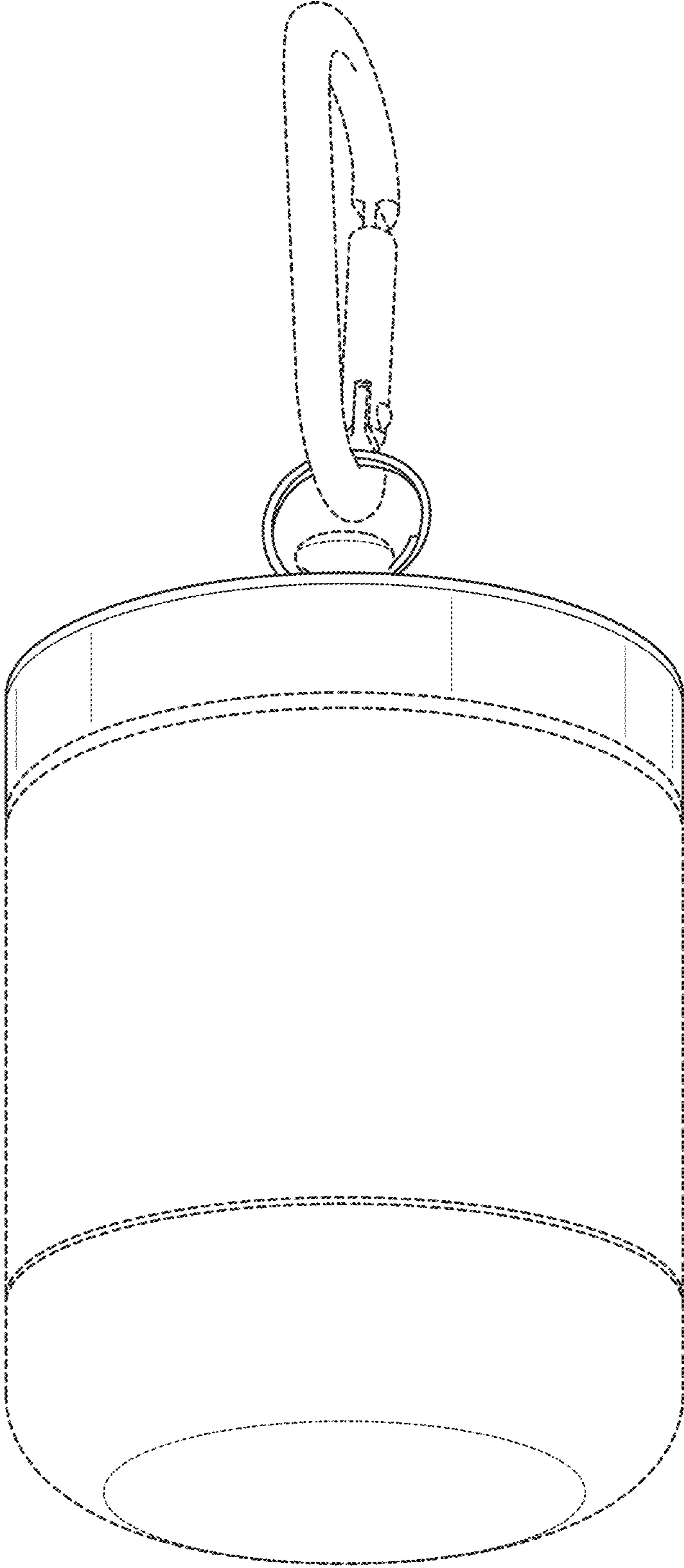


FIG. 2

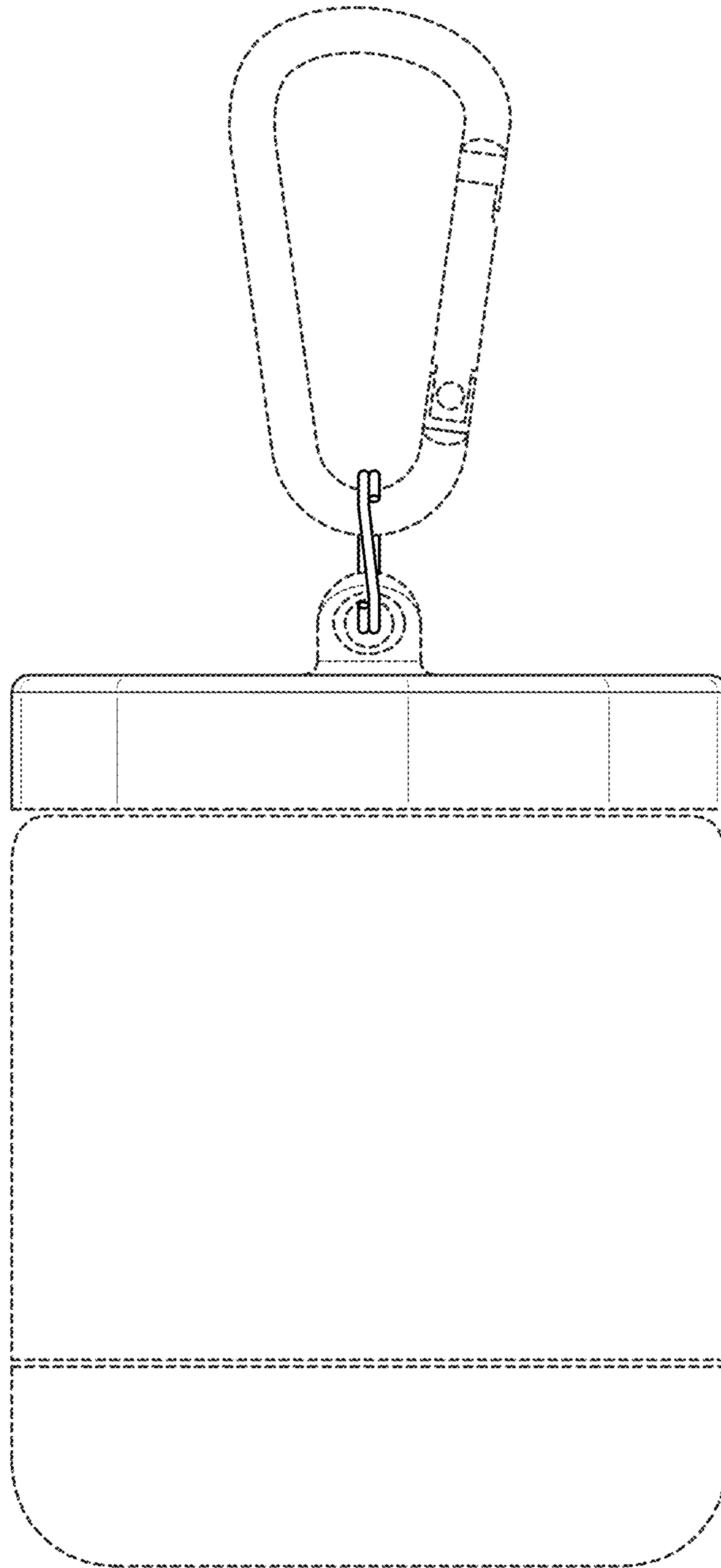


FIG. 3

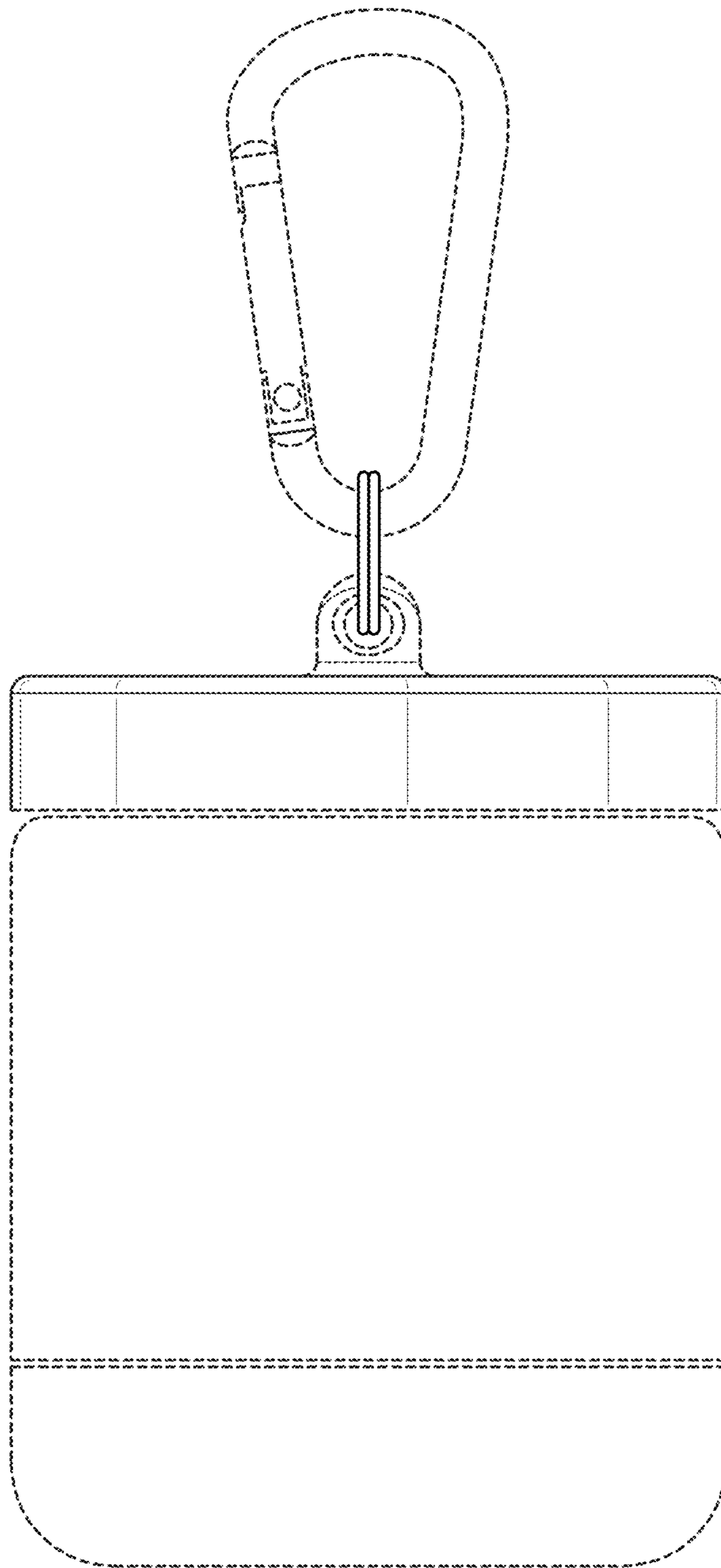


FIG. 4

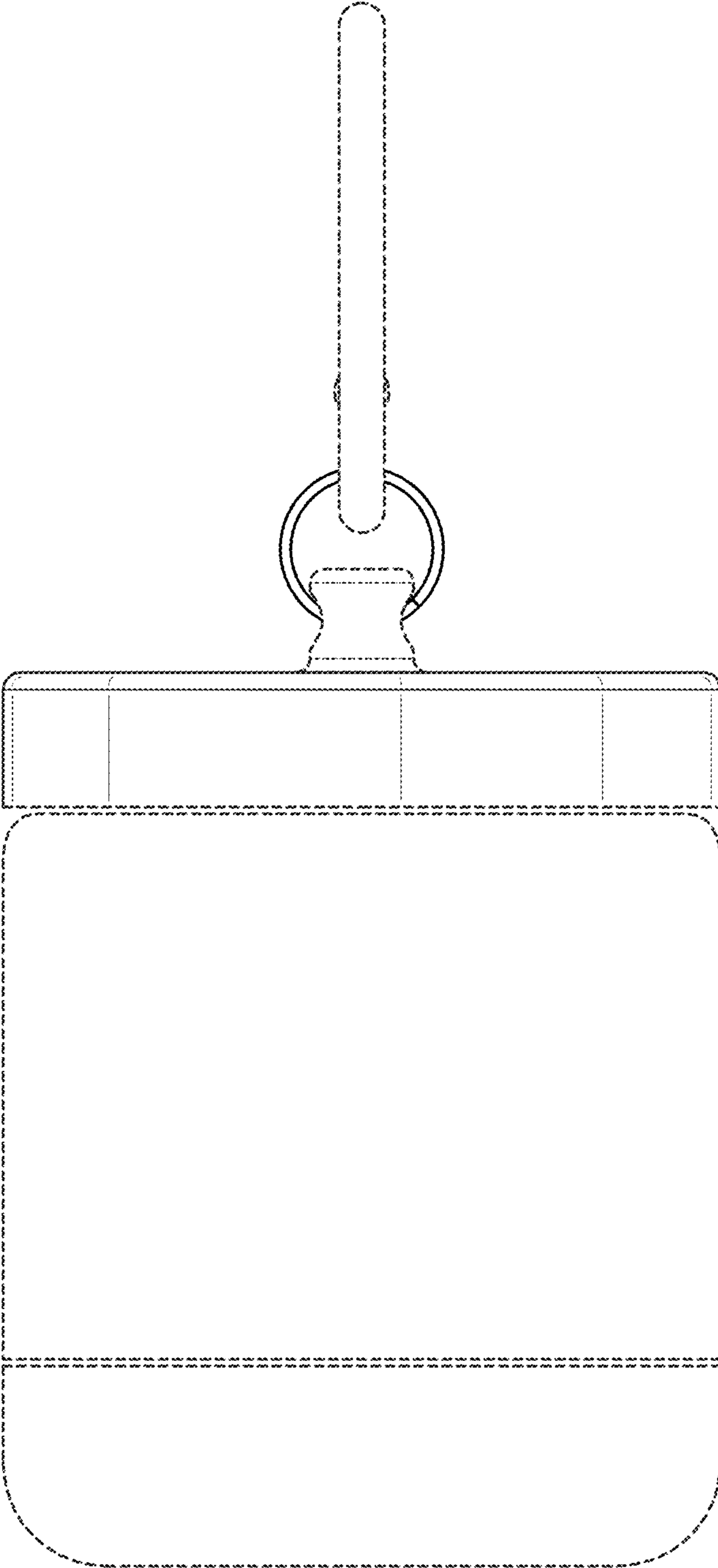


FIG. 5

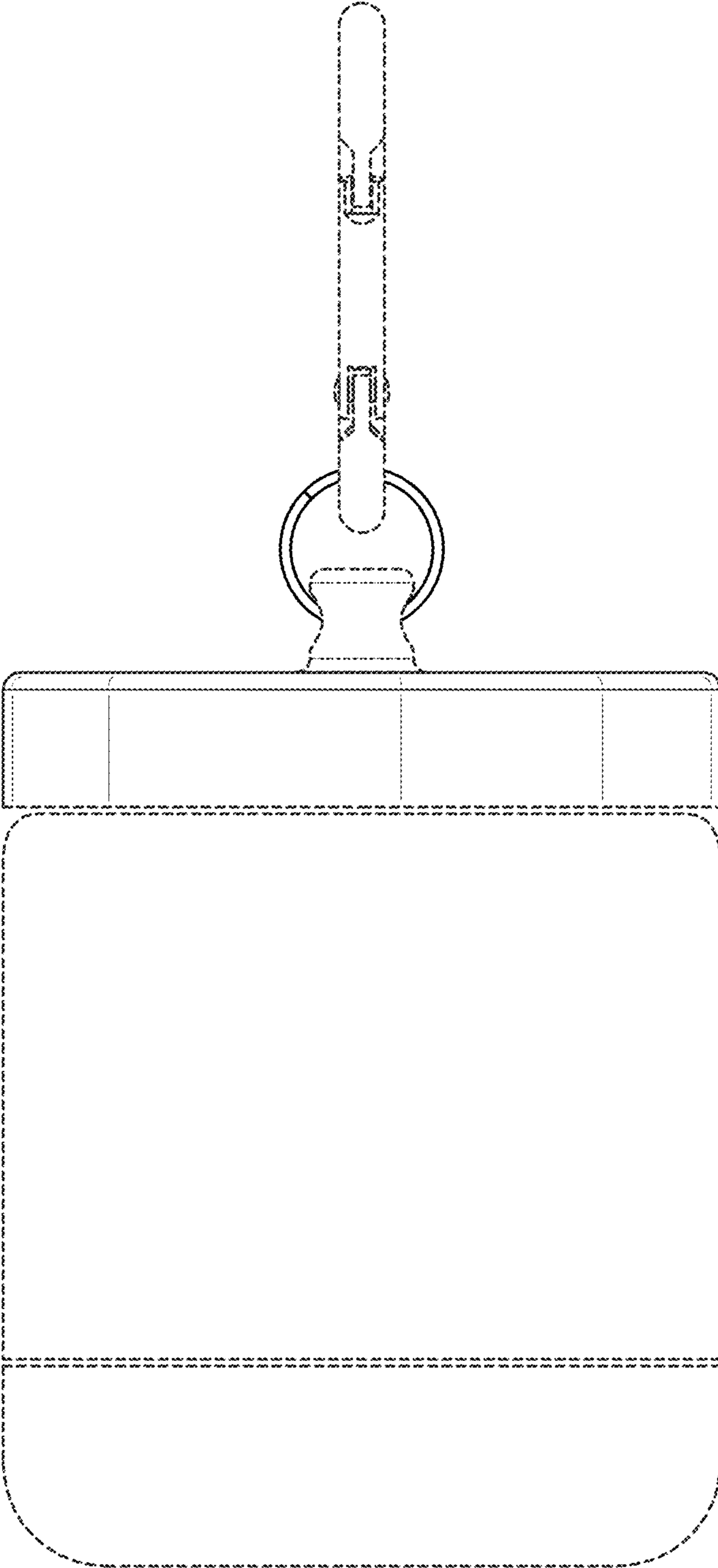


FIG. 6

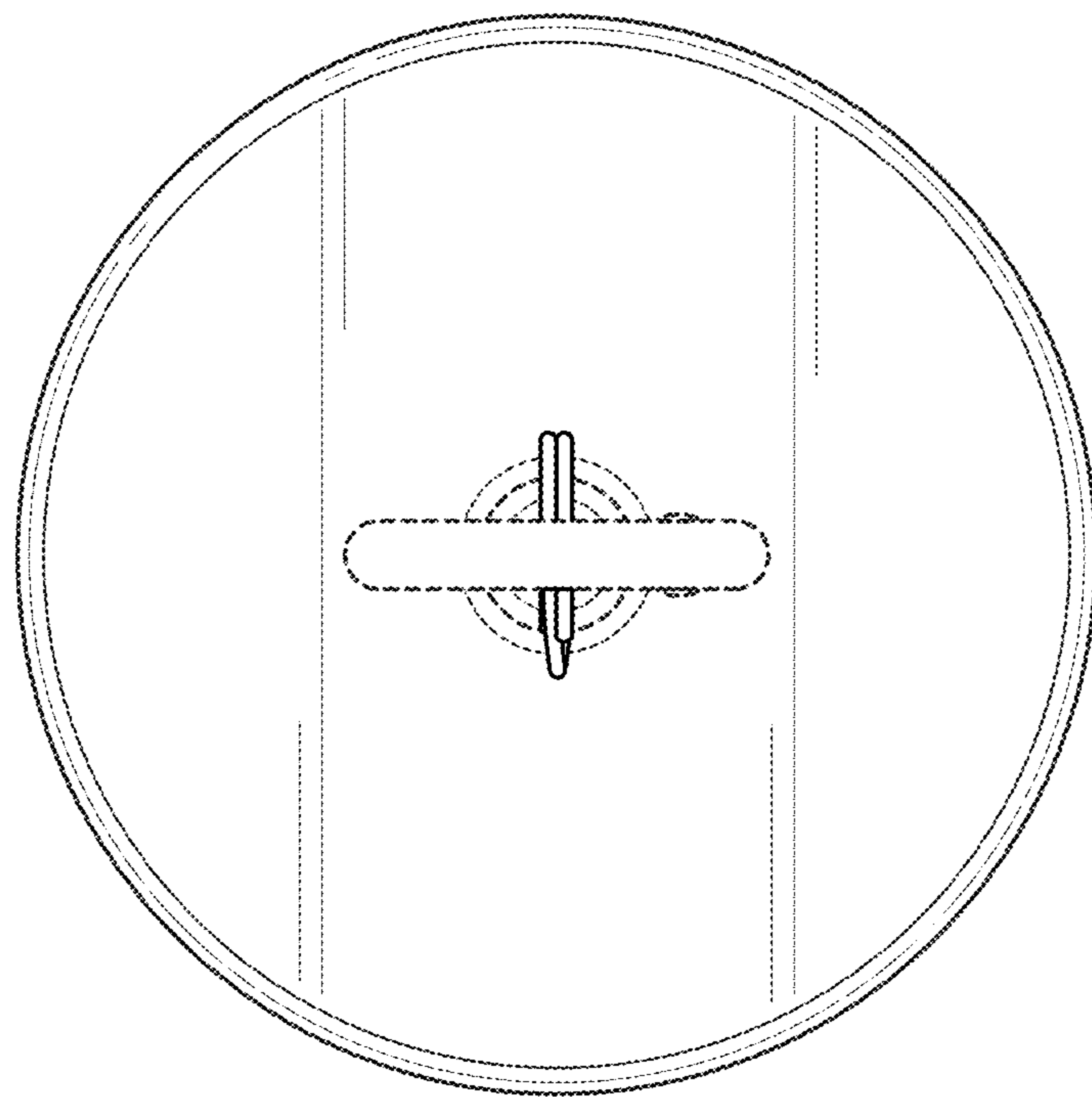


FIG. 7