



US00D872571S

(12) **United States Design Patent**
Guiraud

(10) **Patent No.:** **US D872,571 S**
(45) **Date of Patent:** **** Jan. 14, 2020**

(54) **PACKAGING BOX**

(71) Applicant: **GROUPE GUILLIN**, Ornans (FR)

(72) Inventor: **Roland Guiraud**, Saint Raphael (FR)

(73) Assignee: **GROUPE GUILLIN**, Ornans (FR)

(**) Term: **15 Years**

(21) Appl. No.: **29/656,119**

(22) Filed: **Jul. 10, 2018**

(30) **Foreign Application Priority Data**

Jun. 7, 2018 (EM) 005301348-0001

(51) **LOC (12) Cl.** **09-03**

(52) **U.S. Cl.**
USPC **D9/420**

(58) **Field of Classification Search**
USPC D9/414, 420, 423, 428, 432, 763, 767,
D9/770, 780; D3/201, 203.5, 900, 901,
D3/903, 905; D7/601, 602, 900
CPC ... B65D 1/10; B65D 1/12; B65D 1/14; B65D
1/15; B65D 1/16; B65D 1/18; B65D
1/22; B65D 1/165; B65D 25/00; B65D
43/02; B65D 43/14; B65D 43/162; B65D
43/163; B65D 43/164; B65D 81/02;
B65D 81/3813; B65D 21/0234

See application file for complete search history.

(56) **References Cited**

U.S. PATENT DOCUMENTS

3,027,684 A * 4/1962 Keiding A01G 9/021
206/423
4,414,704 A * 11/1983 Reuter B65F 1/16
16/223
D282,896 S * 3/1986 Conti D7/614
D282,897 S * 3/1986 Conti D22/126
D354,435 S * 1/1995 Krupa D9/423
D480,872 S * 10/2003 Welsh D3/273
D506,359 S * 6/2005 Zettle D7/615

D508,187 S * 8/2005 Dais D7/602
D508,188 S * 8/2005 Zettle D7/615
D528,863 S * 9/2006 Hayes D7/523
D628,478 S * 12/2010 Snedden D9/431
D671,403 S * 11/2012 Ronan D9/423
D672,617 S * 12/2012 Stamper D7/602

(Continued)

OTHER PUBLICATIONS

To Go Fruits; Retrieved from <https://www.freshplaza.com/article/9040542/premium-berries-should-be-offered-in-appropriate-convenience-packaging/>; Retrieved on May 21, 2019; Posted Nov. 8, 2018 (Year: 2018).*

Primary Examiner — Wan Laymon

Assistant Examiner — Clint A Samuel

(74) *Attorney, Agent, or Firm* — Craft Chu PLLC;
Andrew W. Chu

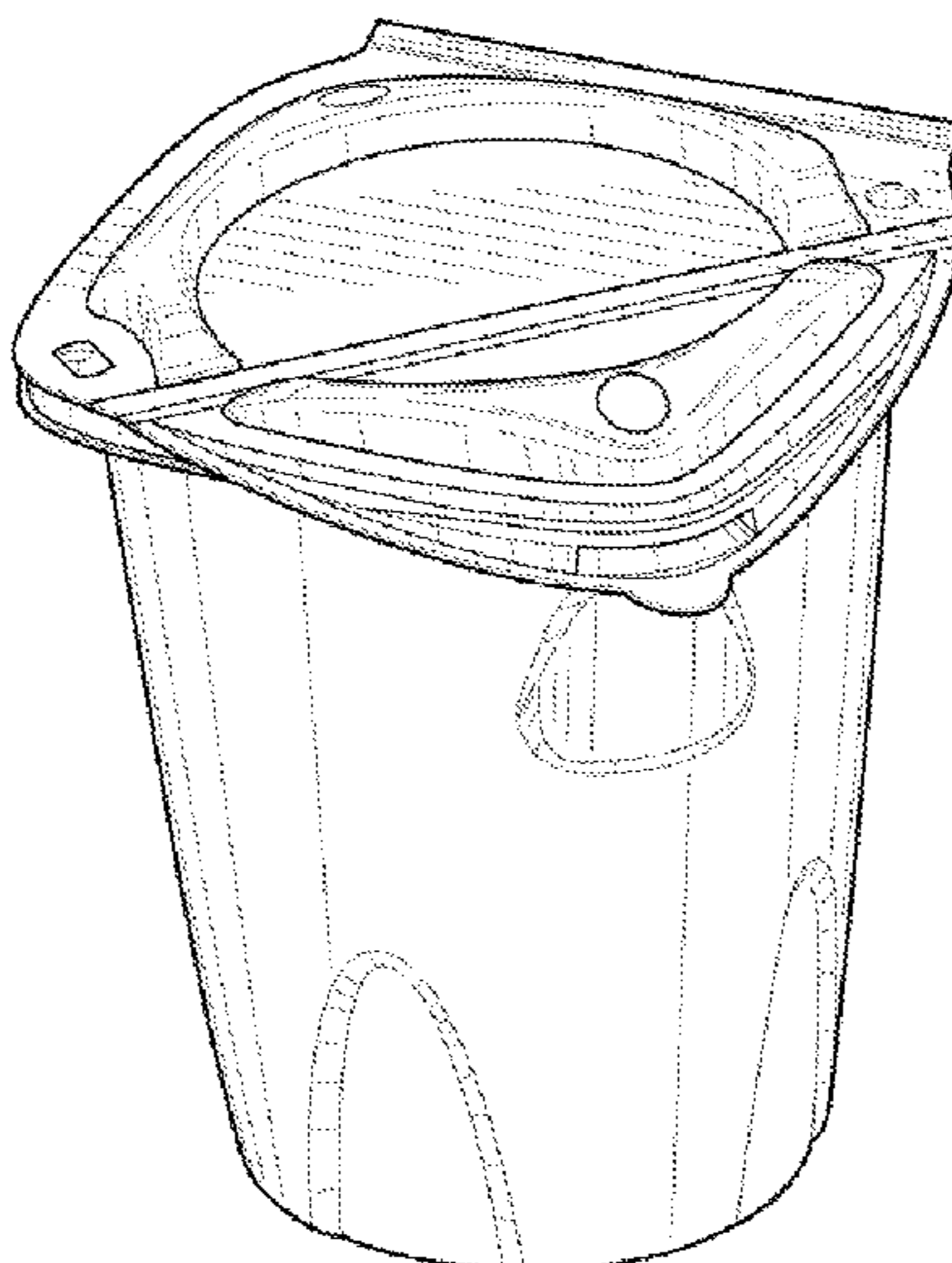
(57) **CLAIM**

The ornamental design for a packaging box, as shown and described.

DESCRIPTION

FIG. 1 is an upper perspective view of the packaging box showing my design in a closed position;
FIG. 2 is a side elevation view of the packaging box in the closed position of FIG. 1;
FIG. 3 is another upper perspective view thereof in a partially closed position;
FIG. 4 is a side elevation view of the packaging box in the partially closed position of FIG. 3;
FIG. 5 is still another upper perspective view thereof in an opened position;
FIG. 6 is a side elevation view of the packaging box in the opened position of FIG. 5; and,
FIG. 7 is a back elevation view of the packaging box in the opened position of FIG. 5.
The bottom view is not disclosed. There is no claim made to any bottom view features.

1 Claim, 3 Drawing Sheets



(56)

References Cited

U.S. PATENT DOCUMENTS

D673,010 S * 12/2012 Stamper D7/602
D691,037 S * 10/2013 Chen D9/423
8,881,936 B2 * 11/2014 Crosby B65D 1/26
220/669
D742,222 S * 11/2015 Liu D9/424
D753,482 S * 4/2016 Serrano D9/428
D760,035 S 6/2016 Kim
D763,039 S * 8/2016 Ionov D7/510
D767,346 S 9/2016 Mussio
D774,903 S 12/2016 Joergensen
D786,095 S 5/2017 Kim
D818,833 S * 5/2018 Caly D9/645
D845,754 S * 4/2019 Snedden D9/420
2005/0258180 A1 * 11/2005 Lown B65D 43/164
220/835
2019/0112109 A1 * 4/2019 Huffer B32B 7/06

* cited by examiner

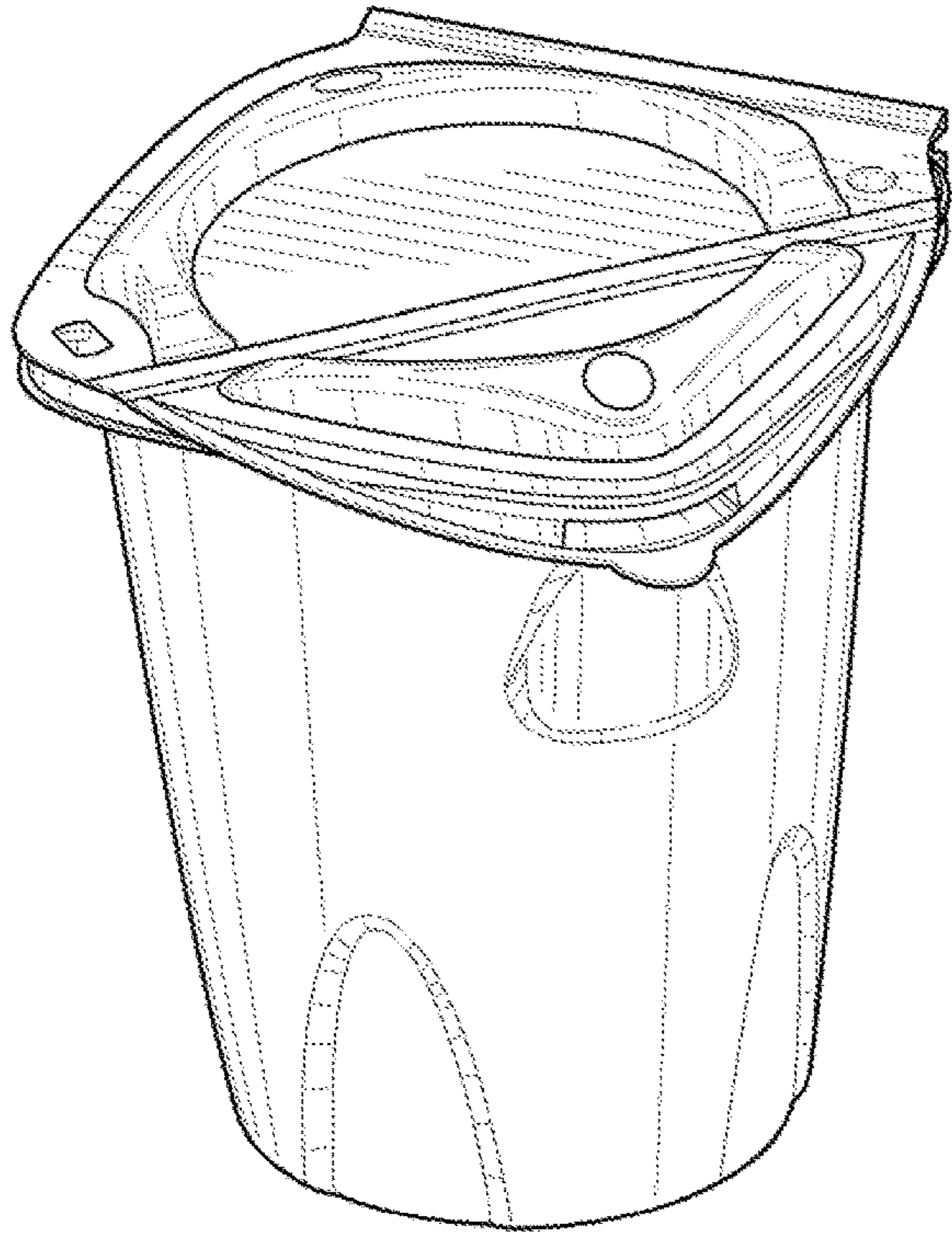


FIG. 1

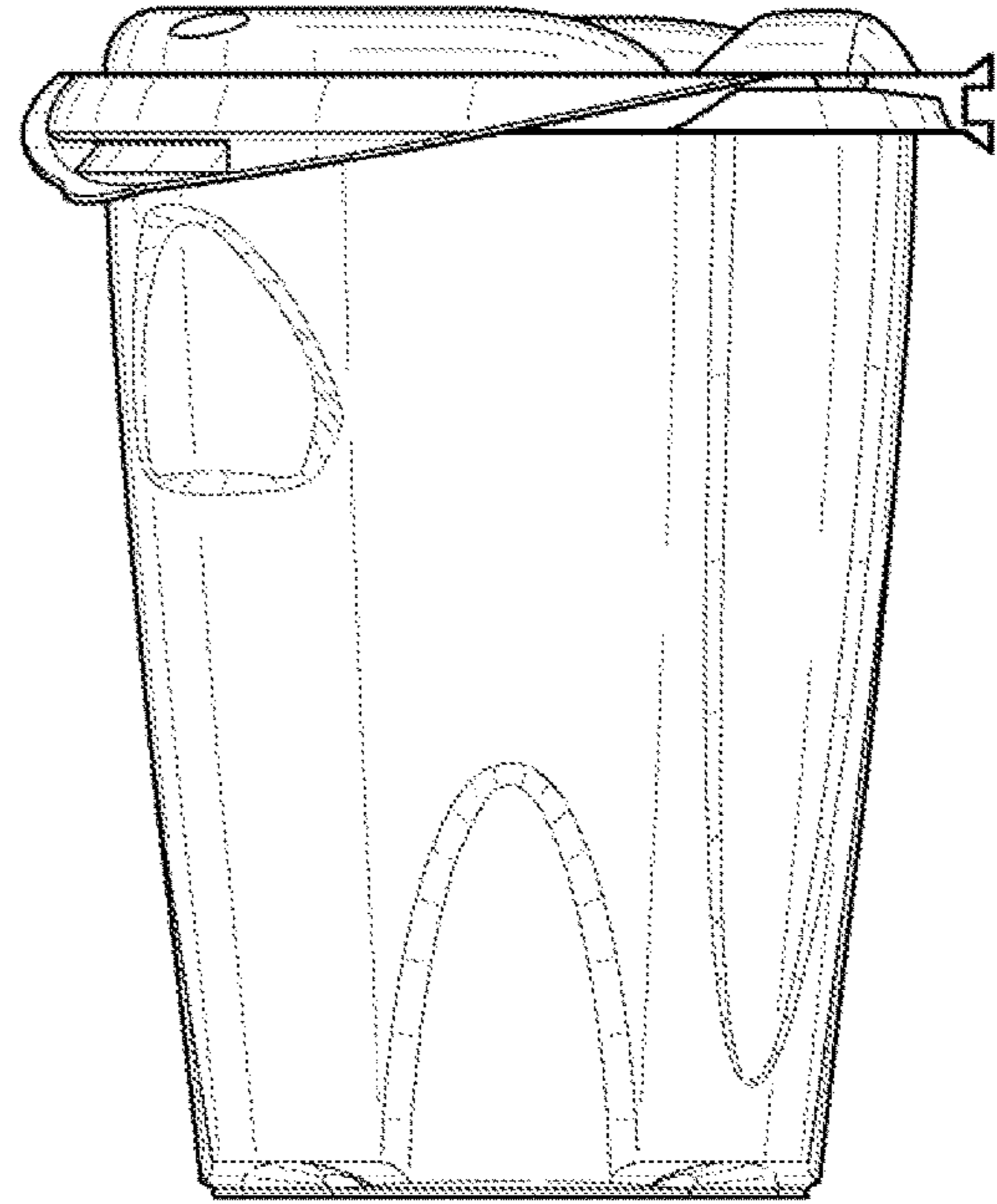


FIG. 2

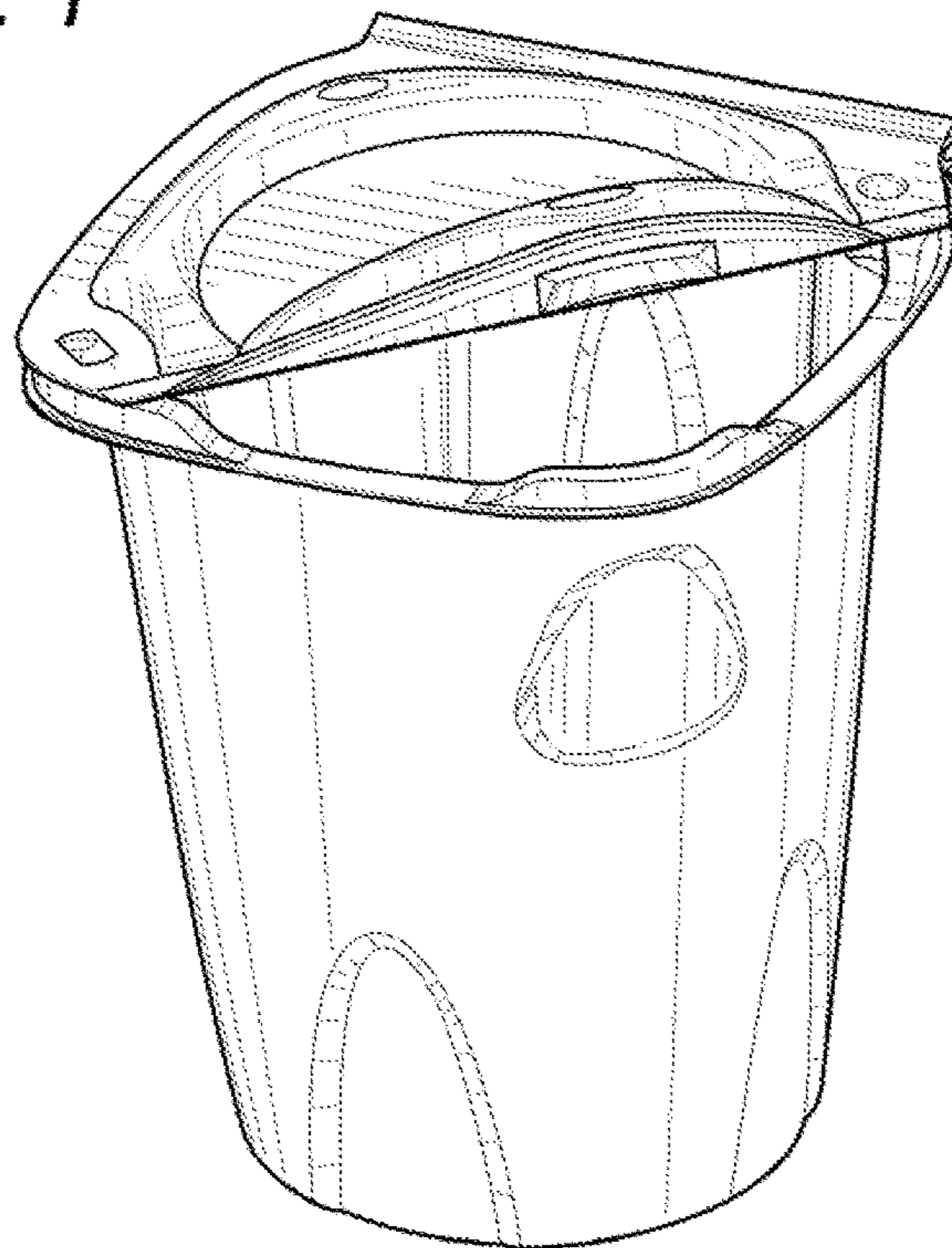


FIG. 3

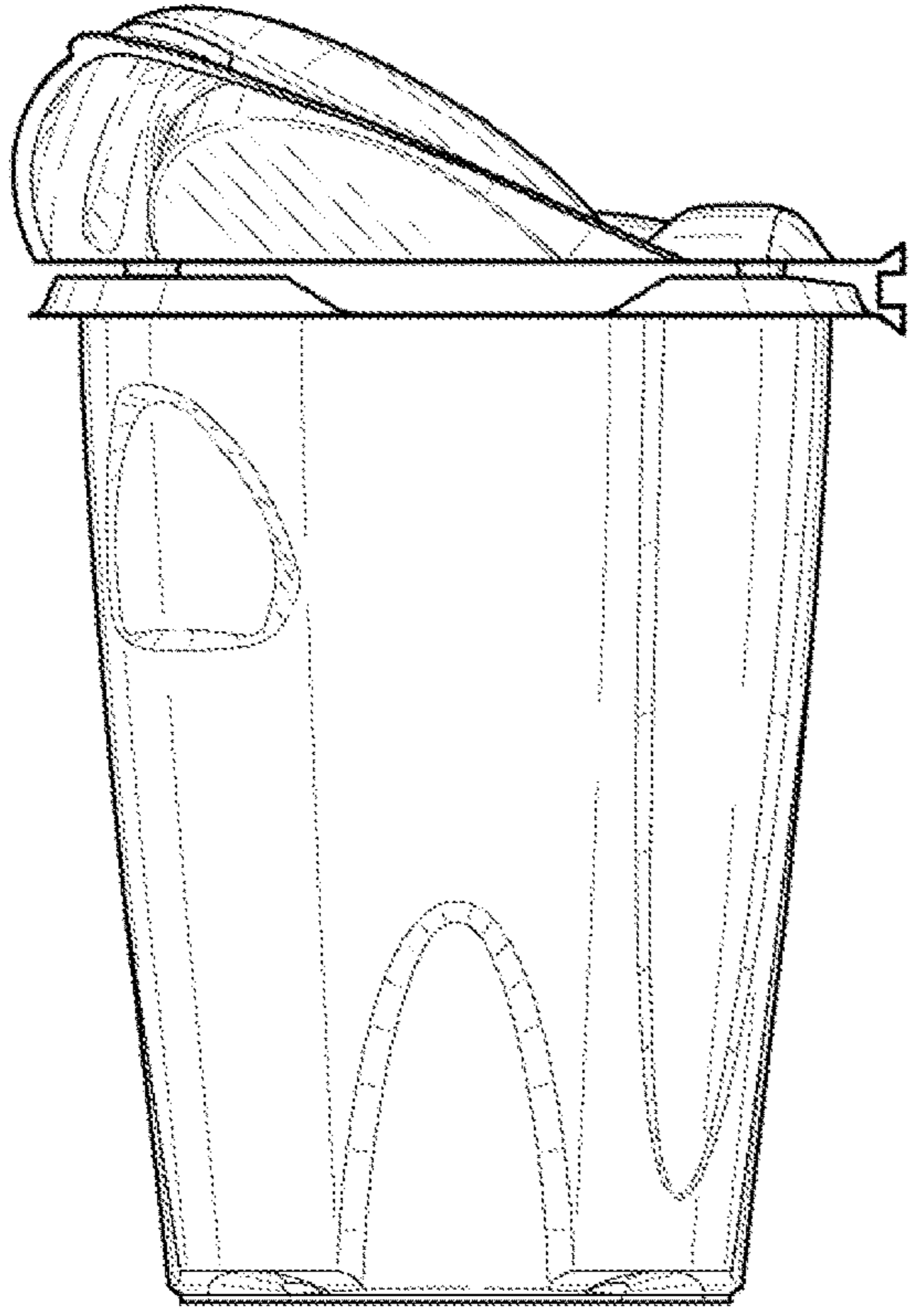


FIG. 4

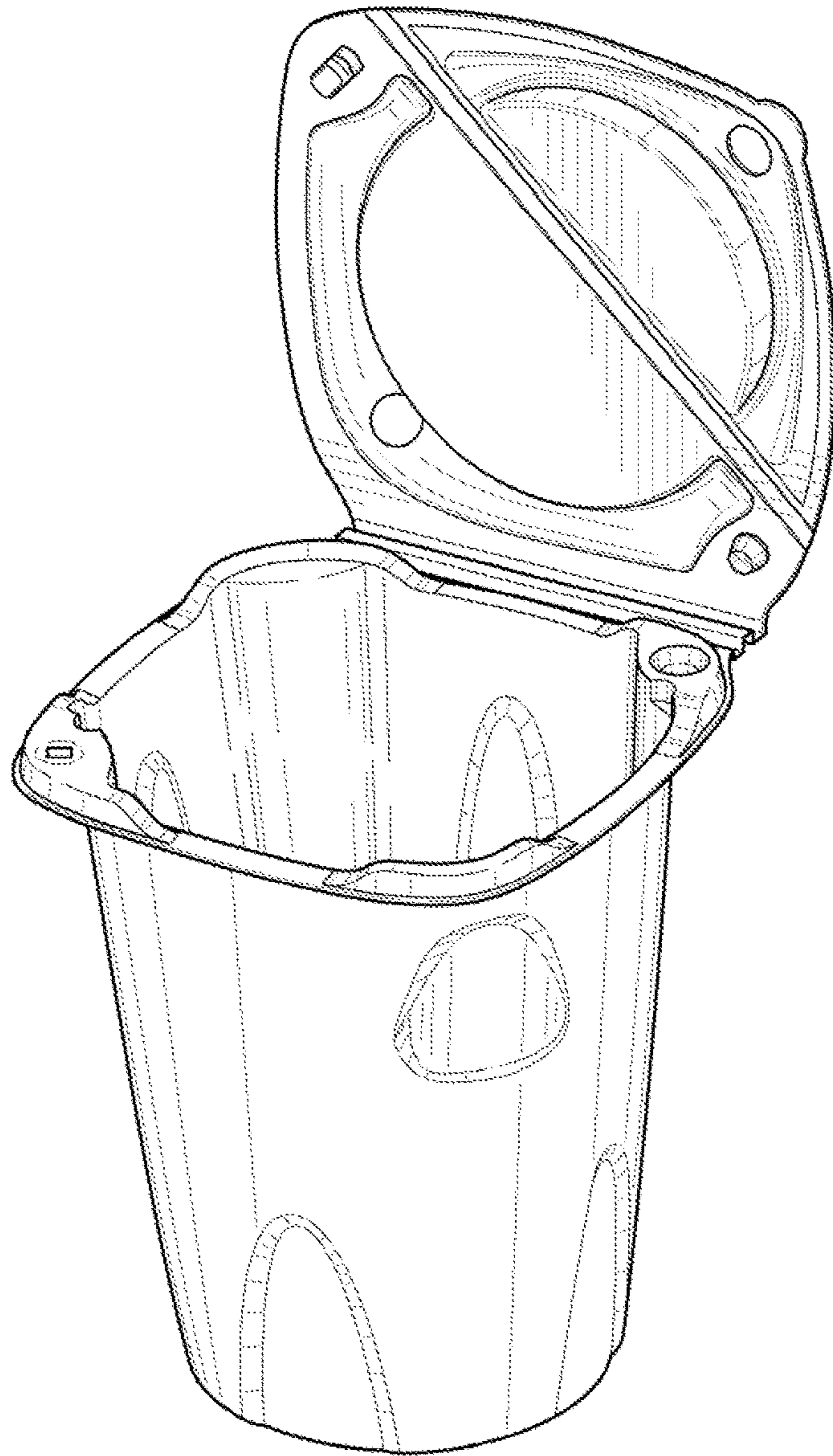


FIG. 5

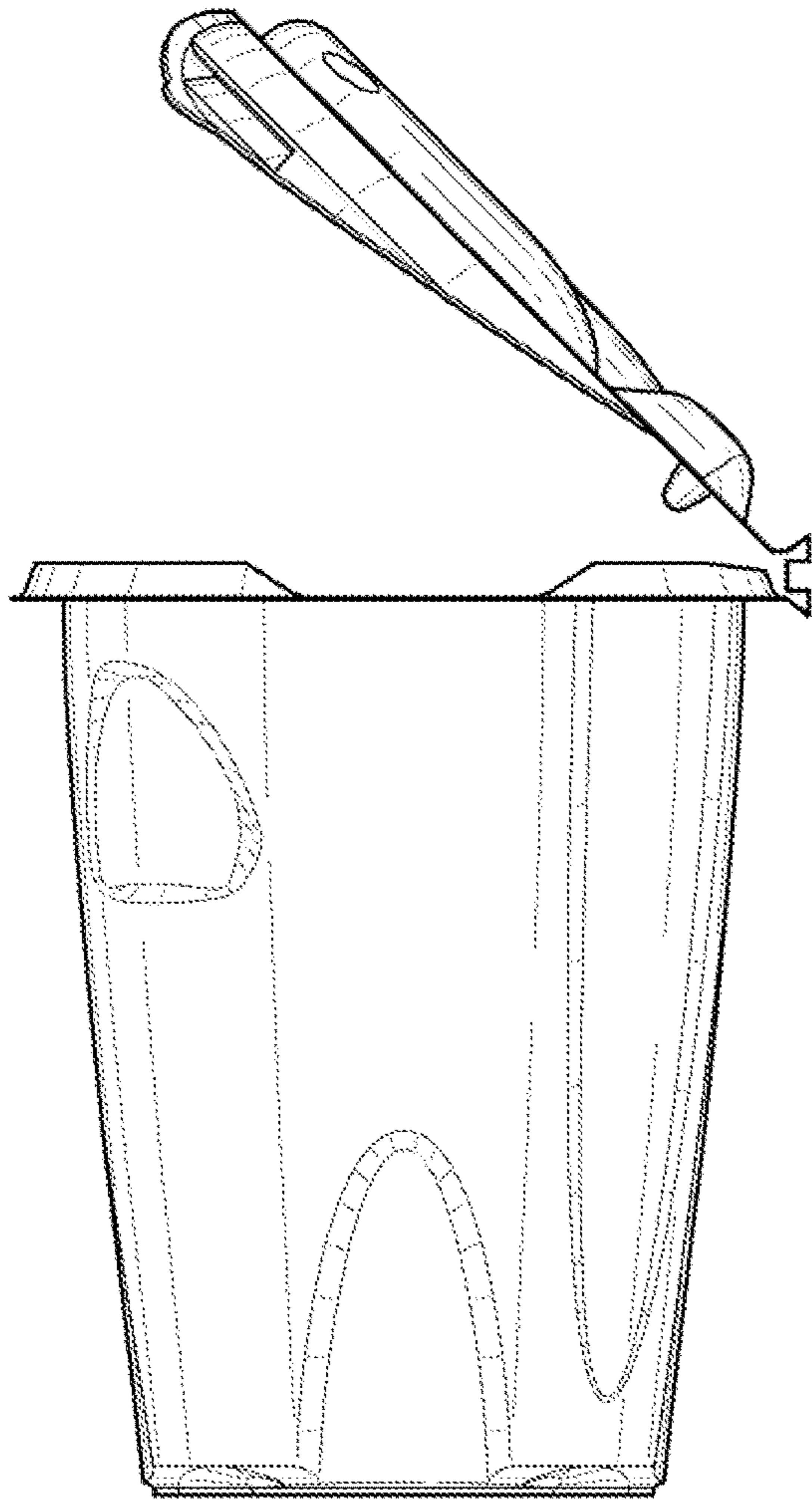


FIG. 6

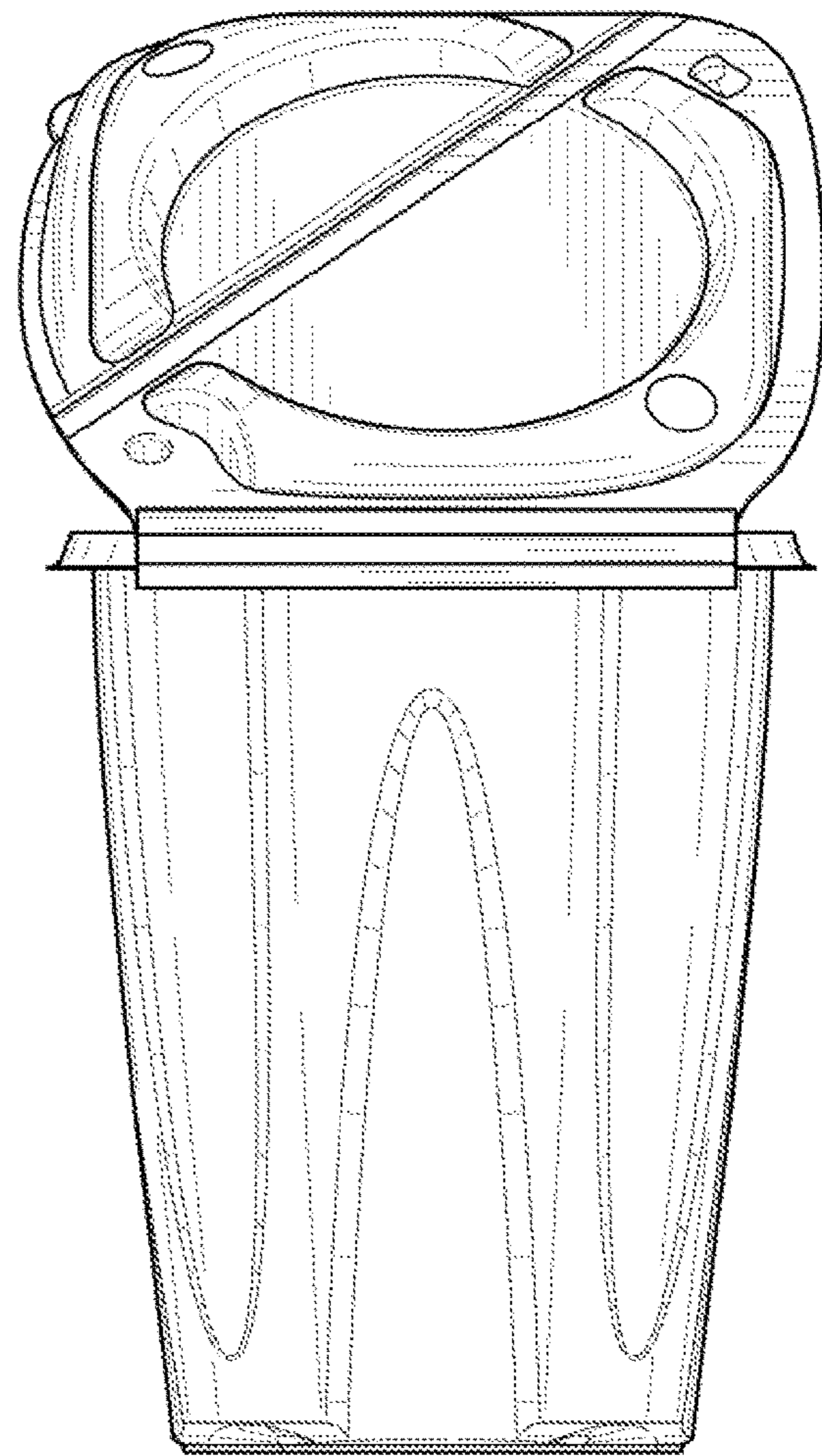


FIG. 7