



US00D872569S

(12) **United States Design Patent**
D’Oracio De Almeida et al.

(10) **Patent No.:** **US D872,569 S**
(45) **Date of Patent:** **** Jan. 14, 2020**

- (54) **REFRACTORY ANCHOR**
- (71) Applicant: **BRAND SHARED SERVICES LLC**,
Kennesaw, GA (US)
- (72) Inventors: **Eduardo Fernando D’Oracio De Almeida**, League City, TX (US);
Anthony Stephen Harris, Conroe, TX (US)
- (73) Assignee: **BRAND SHARED SERVICES, LLC**,
Kennesaw, GA (US)
- (**) Term: **15 Years**
- (21) Appl. No.: **29/659,338**
- (22) Filed: **Aug. 8, 2018**
- (51) **LOC (12) Cl.** **08-08**
- (52) **U.S. Cl.**
USPC **D8/384**
- (58) **Field of Classification Search**
USPC D8/349, 354, 382, 384; D25/199
CPC ... F27D 1/14; F27D 1/10; F27D 1/141; F27D
1/142; F27D 1/144; F27D 1/145; F27D
1/147; F27D 1/004; F23M 5/04; E04F
13/0837; B01L 2219/0218; B01J
2219/00155
See application file for complete search history.

- 4,651,487 A * 3/1987 Nishikawa F27D 1/141
110/336
- 4,660,343 A * 4/1987 Raycher B01D 3/326
52/334
- 4,680,908 A * 7/1987 Crowley F23M 5/04
110/339
- 4,711,186 A * 12/1987 Chen B01J 19/0053
110/336
- 4,753,053 A * 6/1988 Heard F27D 1/141
110/336

(Continued)

OTHER PUBLICATIONS

Engineering drawing by Hanlock-Causeway Company HO1C Standard Hex Mesh, dated Dec. 16, 2013 (www.hanlock.com) 1pg.

(Continued)

Primary Examiner — Sandra S Snapp
Assistant Examiner — Ieisha N Price
(74) *Attorney, Agent, or Firm* — Gardner Groff & Greenwald, PC

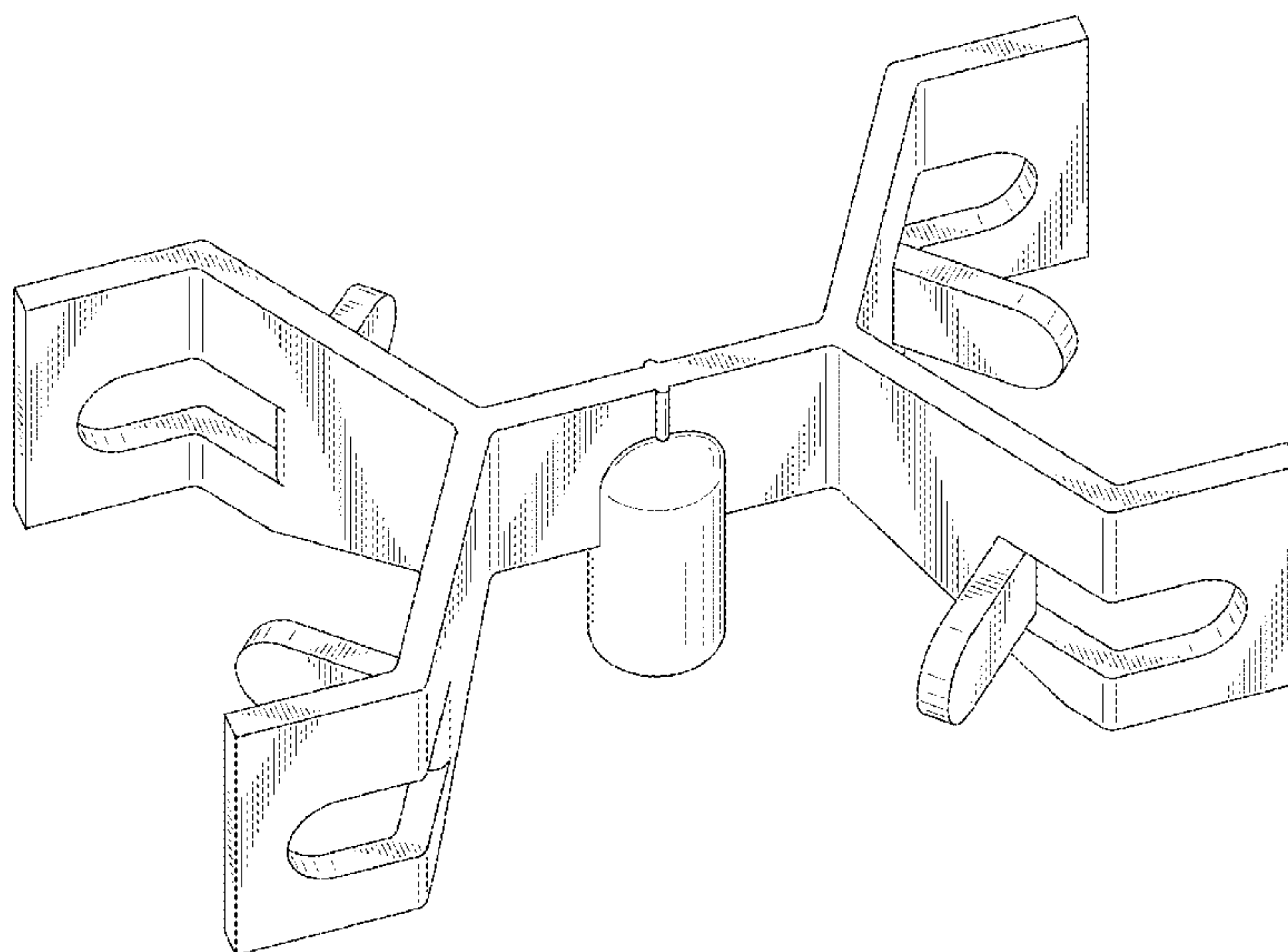
(57) **CLAIM**

The ornamental design for a refractory anchor, as shown and described.

DESCRIPTION

FIG. 1 is a perspective view of a refractory anchor according to the present invention.
FIG. 2 is a front elevation view of the refractory anchor of FIG. 1, the rear elevation view being identical.
FIG. 3 is a left side elevation view of the refractory anchor of FIG. 1, the right side elevation view being identical.
FIG. 4 is a top plan view of the refractory anchor of FIG. 1; and,
FIG. 5 is a bottom plan view of the refractory anchor of FIG. 1.
The broken lines in the drawings illustrate portions of the refractory anchor and form no part of the claimed design.

1 Claim, 3 Drawing Sheets



(56)

References Cited

U.S. PATENT DOCUMENTS

D375,892 S * 11/1996 Kraemer, Jr. D8/384
 D393,588 S * 4/1998 Tuthill D8/384
 6,393,789 B1 5/2002 Lanclos
 6,887,551 B2 5/2005 Hyde et al.
 D559,672 S * 1/2008 Alexander D8/384
 D576,479 S * 9/2008 Alexander D8/384
 8,656,679 B1 * 2/2014 Duhon C10G 75/00
 52/334
 9,127,890 B2 9/2015 Garot
 9,279,245 B2 3/2016 Garot
 9,861,949 B2 1/2018 Simon et al.
 10,352,519 B2 7/2019 Yoder et al.
 2004/0226251 A1 * 11/2004 Hyde E04C 5/04
 52/674
 2015/0147236 A1 * 5/2015 Simon B32B 3/12
 422/143
 2015/0267122 A1 9/2015 Hinson et al.

2017/0321962 A1* 11/2017 Decker F27D 1/0003
 2018/0320973 A1* 11/2018 Yoder F27D 1/141
 2018/0345401 A1* 12/2018 Giaramita B23K 9/201

OTHER PUBLICATIONS

Engineering drawing by Hanlock-Causeway Company for HO1
 Non Lance HexMetal, dated Dec. 16, 2013 (www.hanlock.com)
 1pg.
 Refractory Anchors, Inc. sales brochure for K-BAR, dated Jul. 24,
 2018 (www.rai-1.com) 2pgs.
 Engineering drawing of K-bar hex anchors drawing, anonymous
 source, dated at least as early as Jul. 1, 2018 1pg.
 Refractory Anchors, Inc. sales brochure for REF-LOC, dated Jul.
 24, 2018 (www.rai-1.com) 2pgs.
 Kraemer Gunitite, Inc. sales brochure for K-bar hex anchors, dated
 Jul. 1, 2018 (www.kraemergunitite.com) 1pg.

* cited by examiner

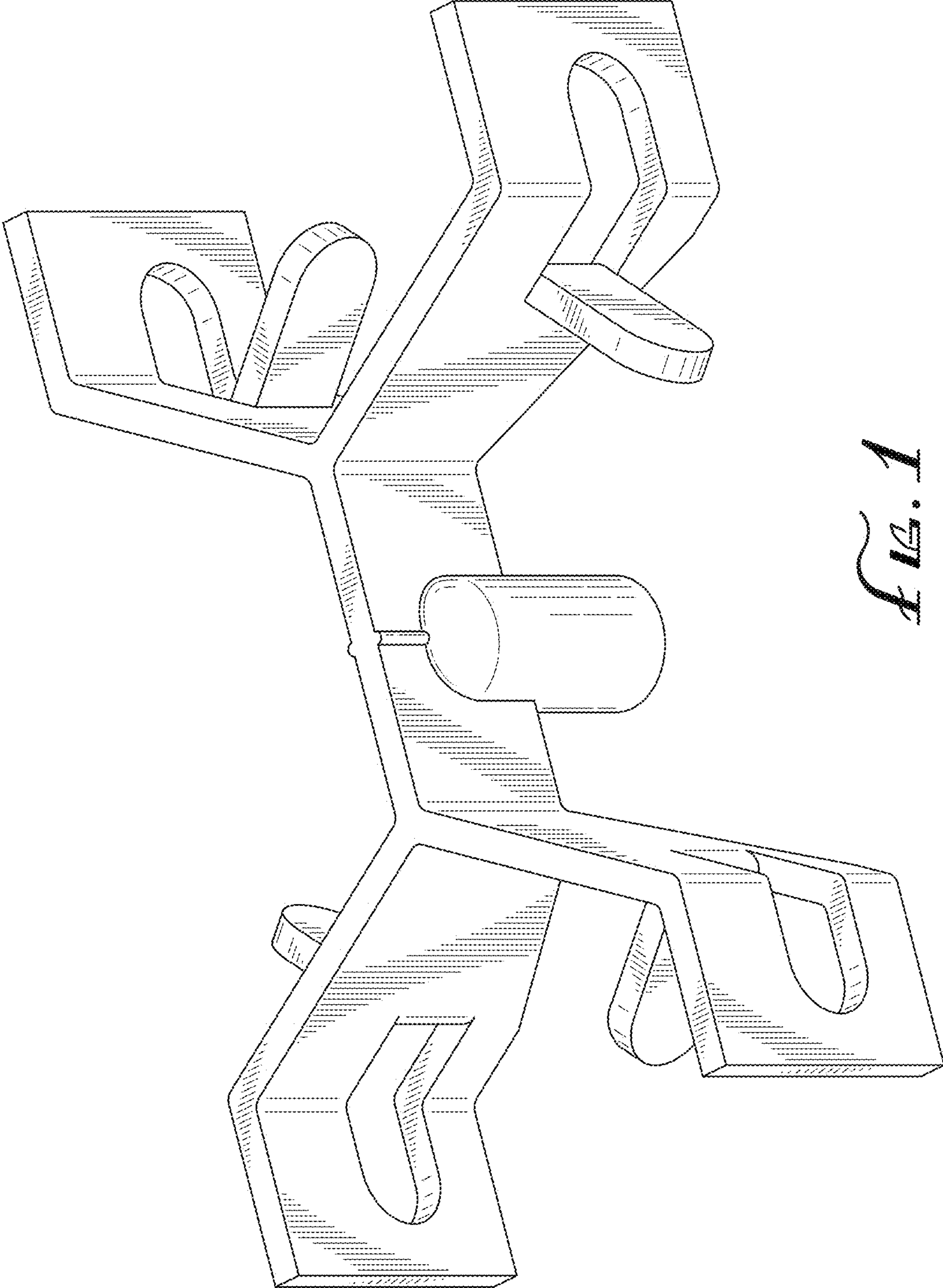


FIG. 1

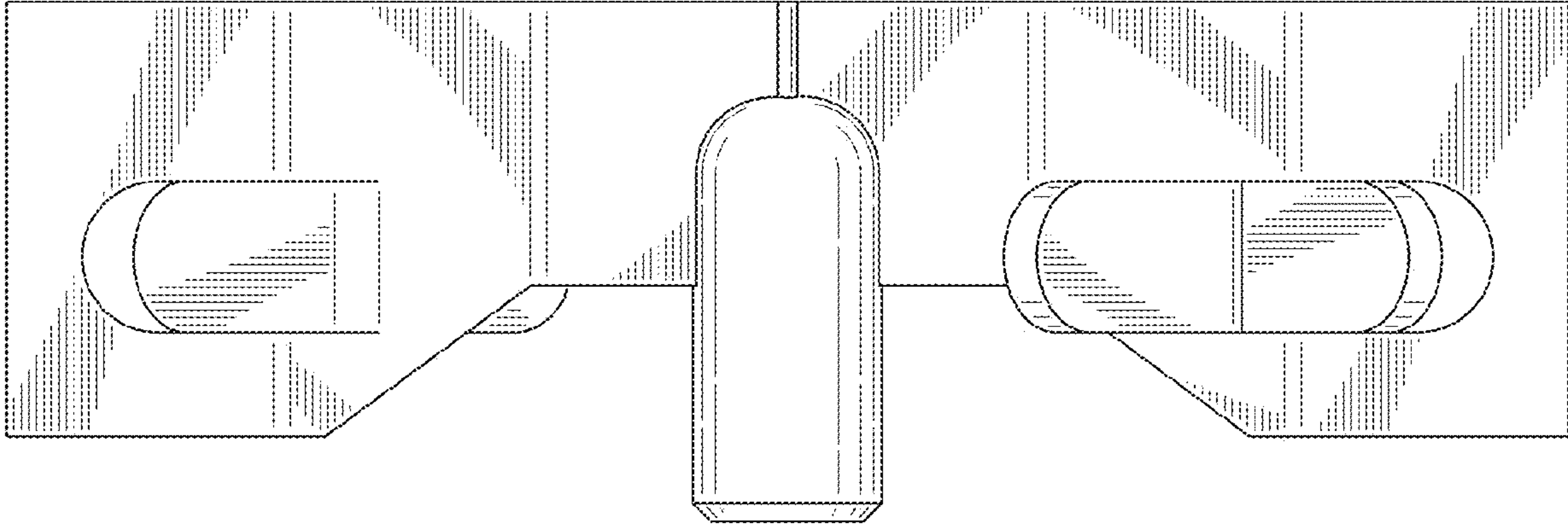


FIG. 2

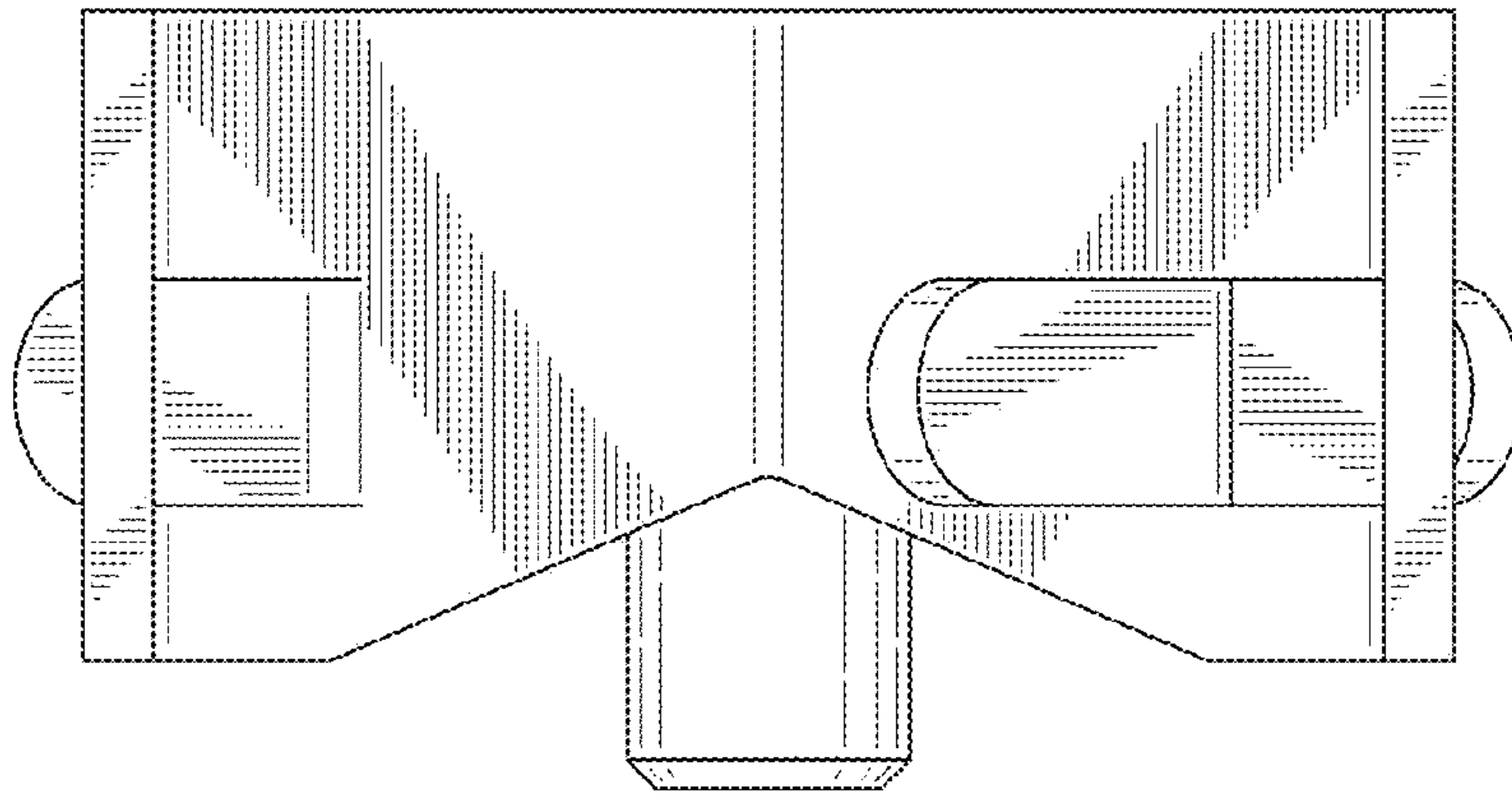


FIG. 3

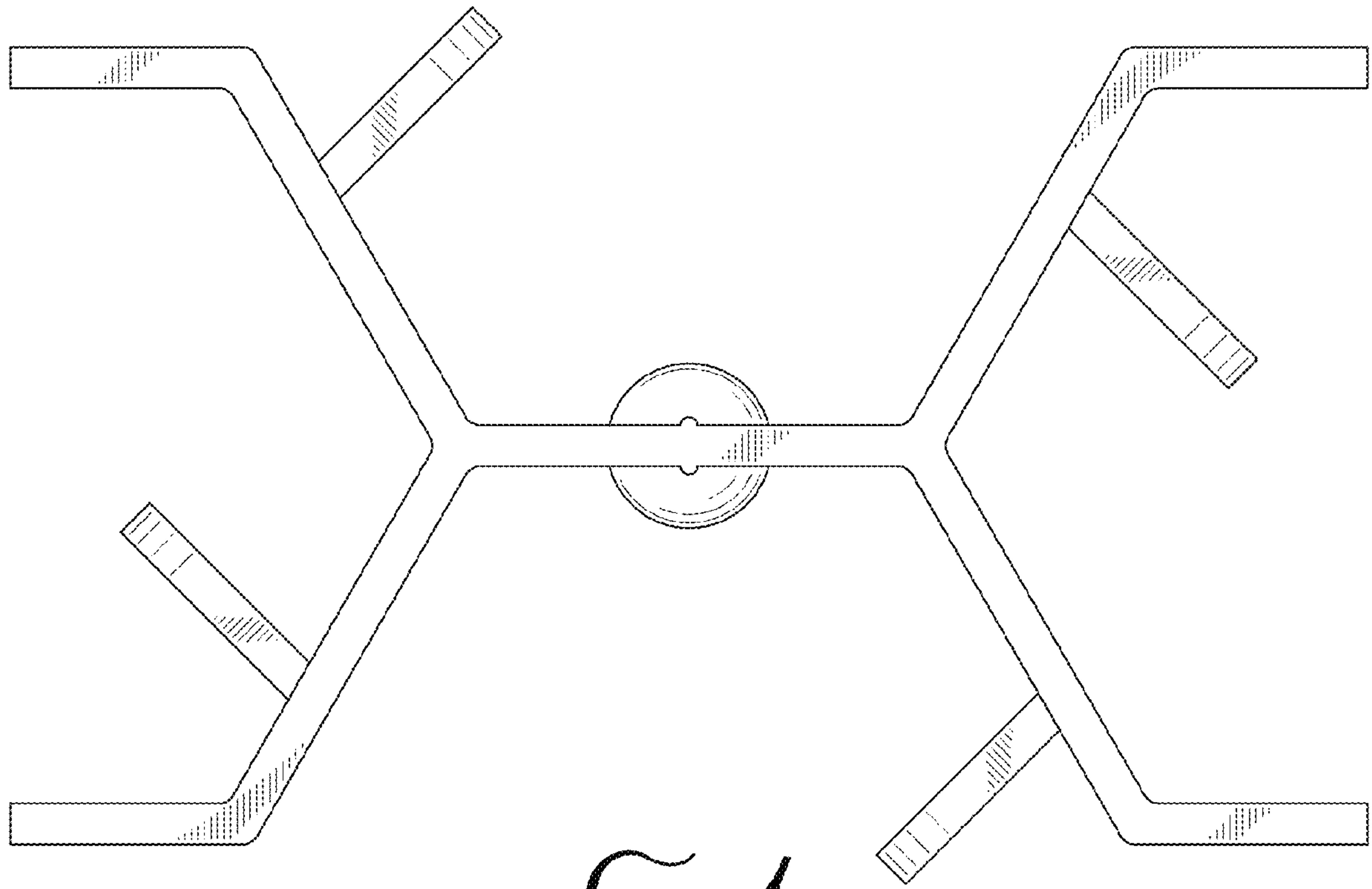


FIG. 4

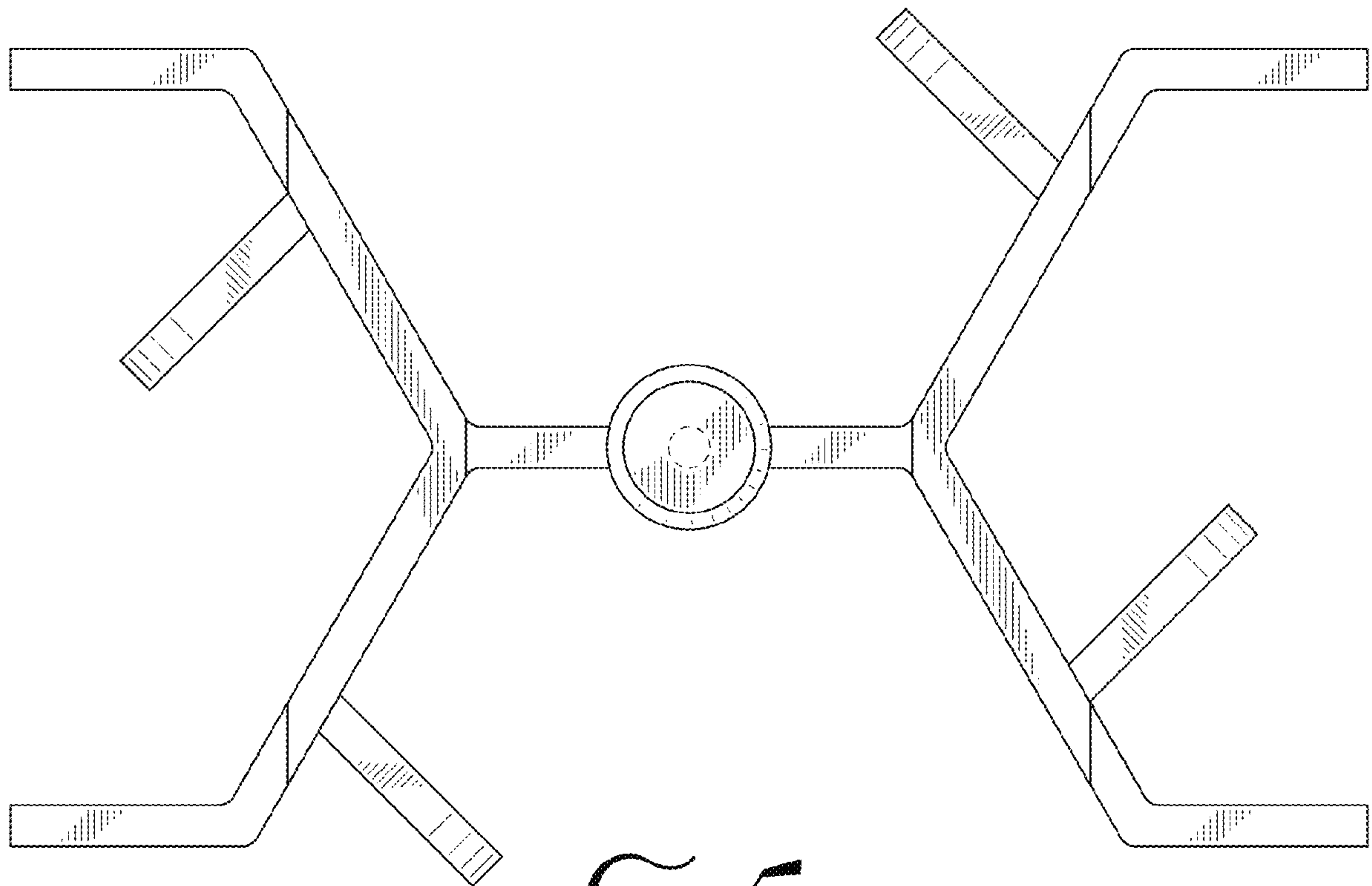


FIG. 5