



US00D872566S

(12) **United States Design Patent**
Verelli et al.

(10) **Patent No.:** **US D872,566 S**
(45) **Date of Patent:** **** Jan. 14, 2020**

- (54) **REBAR CHAIR BASE**
- (71) Applicants: **Carlo Verelli, LaSalle (CA); Angelo Verelli, LaSalle (CA)**
- (72) Inventors: **Carlo Verelli, LaSalle (CA); Angelo Verelli, LaSalle (CA)**
- (**) Term: **15 Years**
- (21) Appl. No.: **29/610,739**
- (22) Filed: **Jul. 14, 2017**
- (51) **LOC (12) Cl.** **08-05**
- (52) **U.S. Cl.**
USPC **D8/364; D6/708**
- (58) **Field of Classification Search**
USPC D6/354, 364, 702, 708, 708.17, 708.21, D6/708.25, 709, 712, 716; D8/354, 373, D8/374, 385; D25/199
CPC A47B 13/00; A47B 9/00; A47B 9/005; A47B 97/00; A47B 2200/002; A47B 2200/0022; A47C 7/00; A47C 7/02; A47C 7/56; E04C 5/168; E04C 5/201; E04H 12/2253; E04H 12/2261; F16B 12/48; F16B 12/50
See application file for complete search history.

- D548,055 S * 8/2007 Erickson E04C 5/168 D8/354
- 7,461,491 B1 * 12/2008 Sorkin E04C 5/168 52/679
- 8,844,238 B2 * 9/2014 Baldoni E04C 5/166 52/633
- 2006/0099032 A1 * 5/2006 Harris E01C 11/18 404/135
- 2007/0095014 A1 * 5/2007 Nilsen E04B 1/161 52/782.1
- 2010/0307098 A1 * 12/2010 Yee E04C 5/168 52/677

* cited by examiner

Primary Examiner — Mary Ann Calabrese
(74) *Attorney, Agent, or Firm* — Lavery, De Billy, LLP; Gonzalo Lavin

(57) **CLAIM**

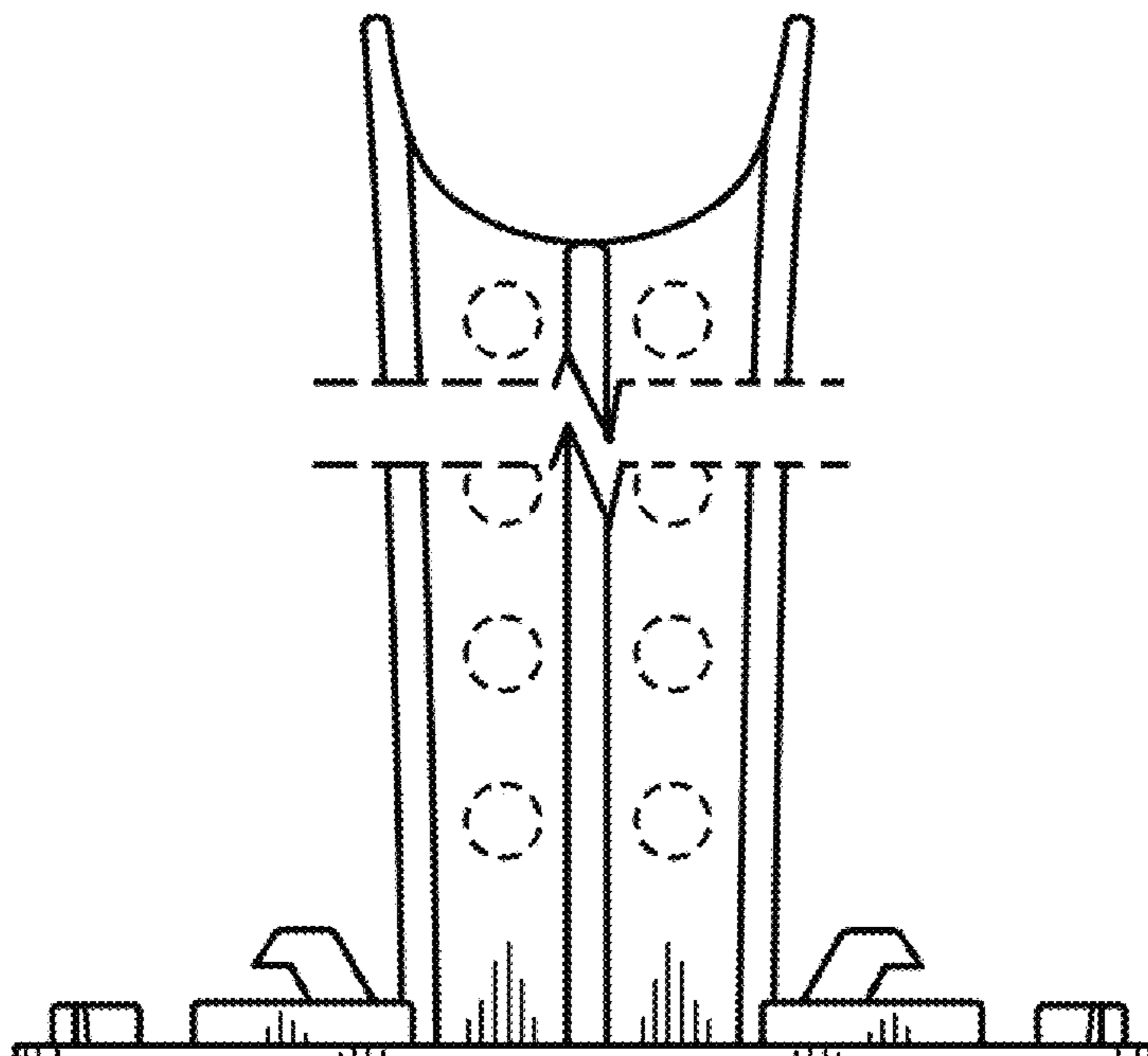
The ornamental design for a rebar chair base, as shown and described.

DESCRIPTION

FIG. 1 is a top view of the rebar chair base showing our new design;
FIG. 2 is a front elevational view thereof;
FIG. 3 is a rear elevational view thereof;
FIG. 4 is a left side elevational view thereof;
FIG. 5 is a right side elevational view thereof; and,
FIG. 6 is a bottom plan view thereof.
The broken line portions in FIGS. 4, 5 and 6 form no part of the claimed design.
The claimed design is shown with a symbolic break in its length. The appearance of any portion of the article between the break lines forms no part of the claimed design.

- (56) **References Cited**
U.S. PATENT DOCUMENTS
3,556,451 A * 1/1971 Ostlund F16B 12/48 248/188
D360,574 S * 7/1995 Oda E04C 5/168 D8/382
6,354,054 B1 * 3/2002 Verelli E04C 5/168 248/440

1 Claim, 5 Drawing Sheets



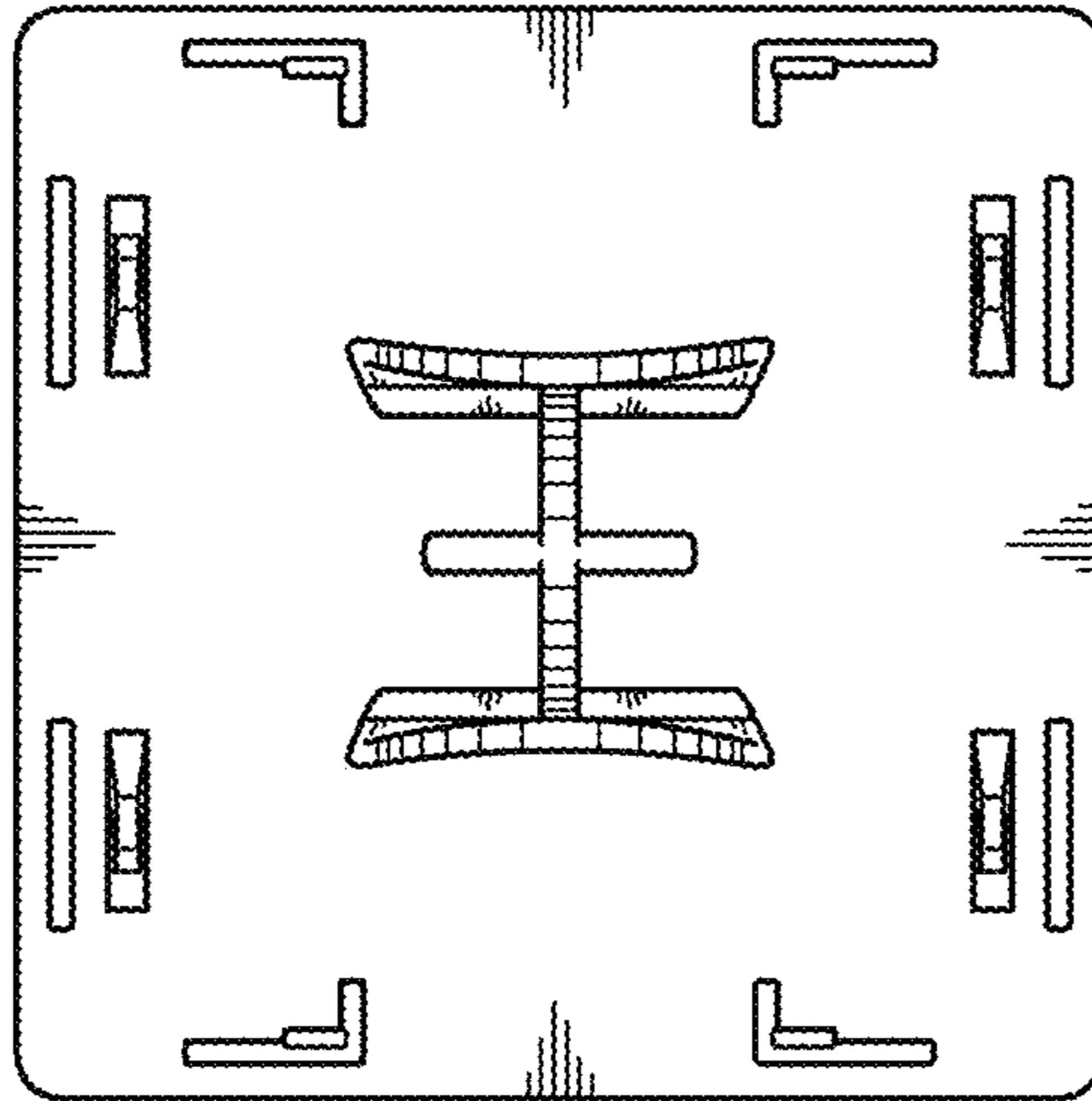


Fig. 1

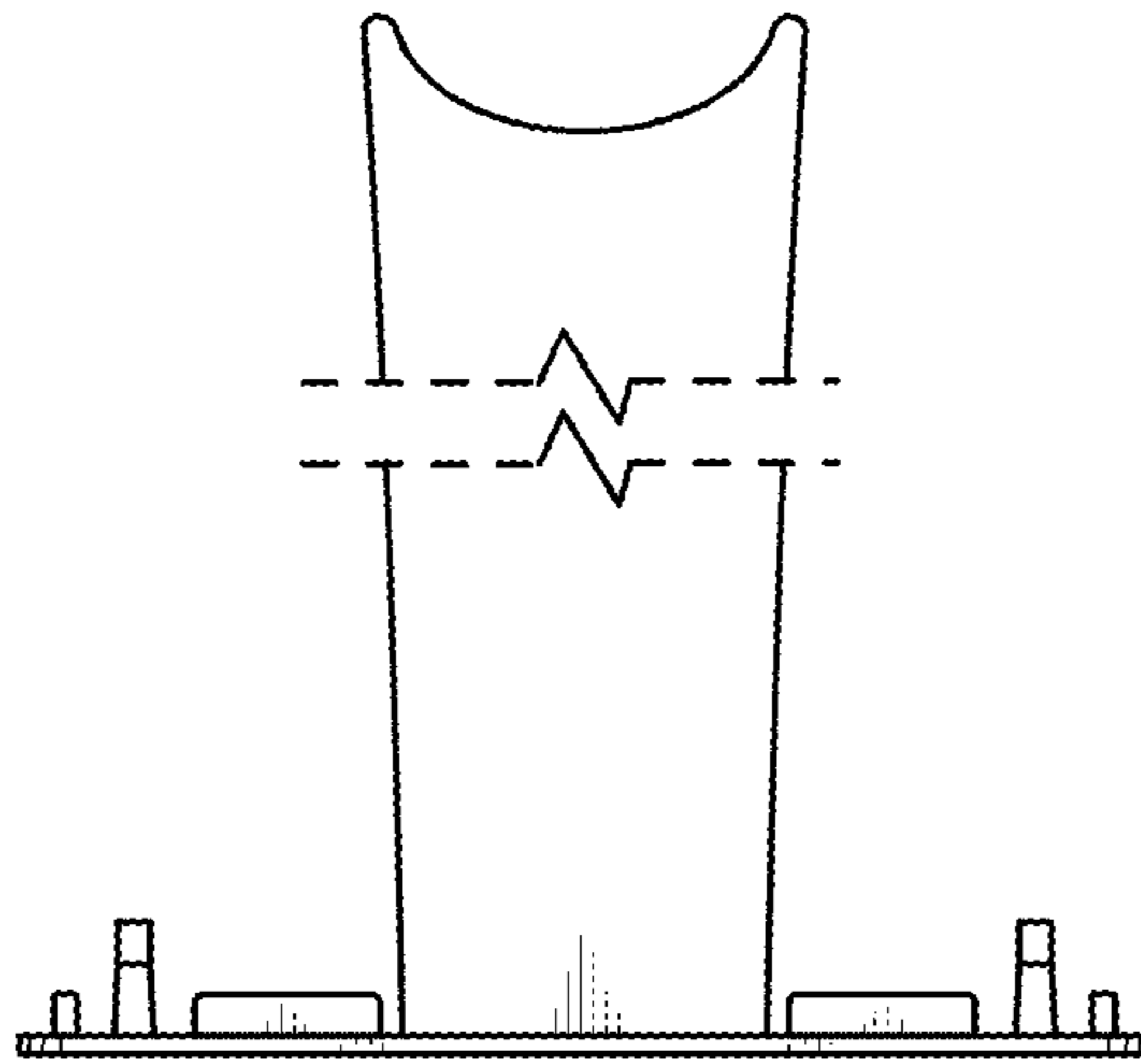


FIG. 2

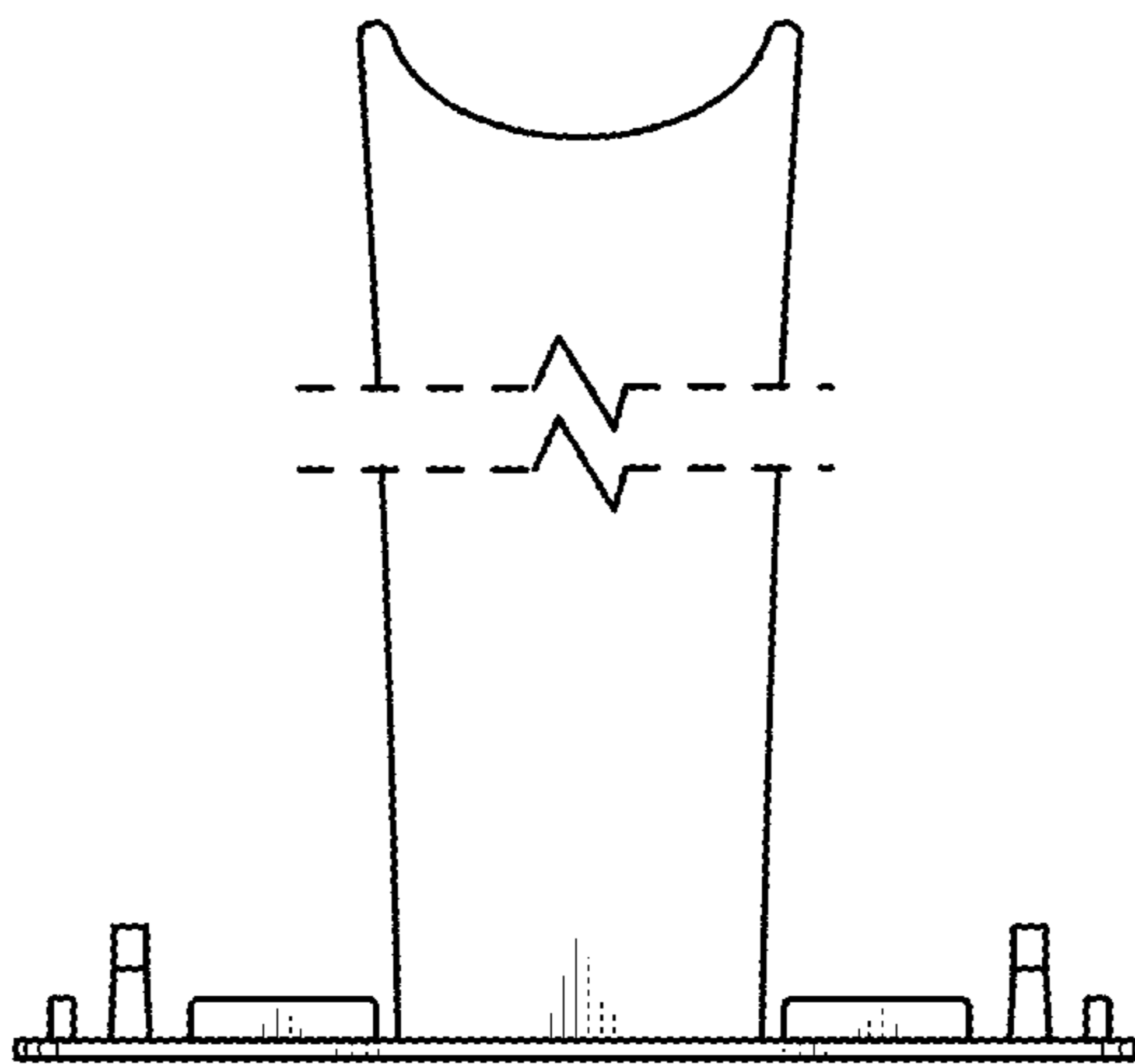


FIG. 3

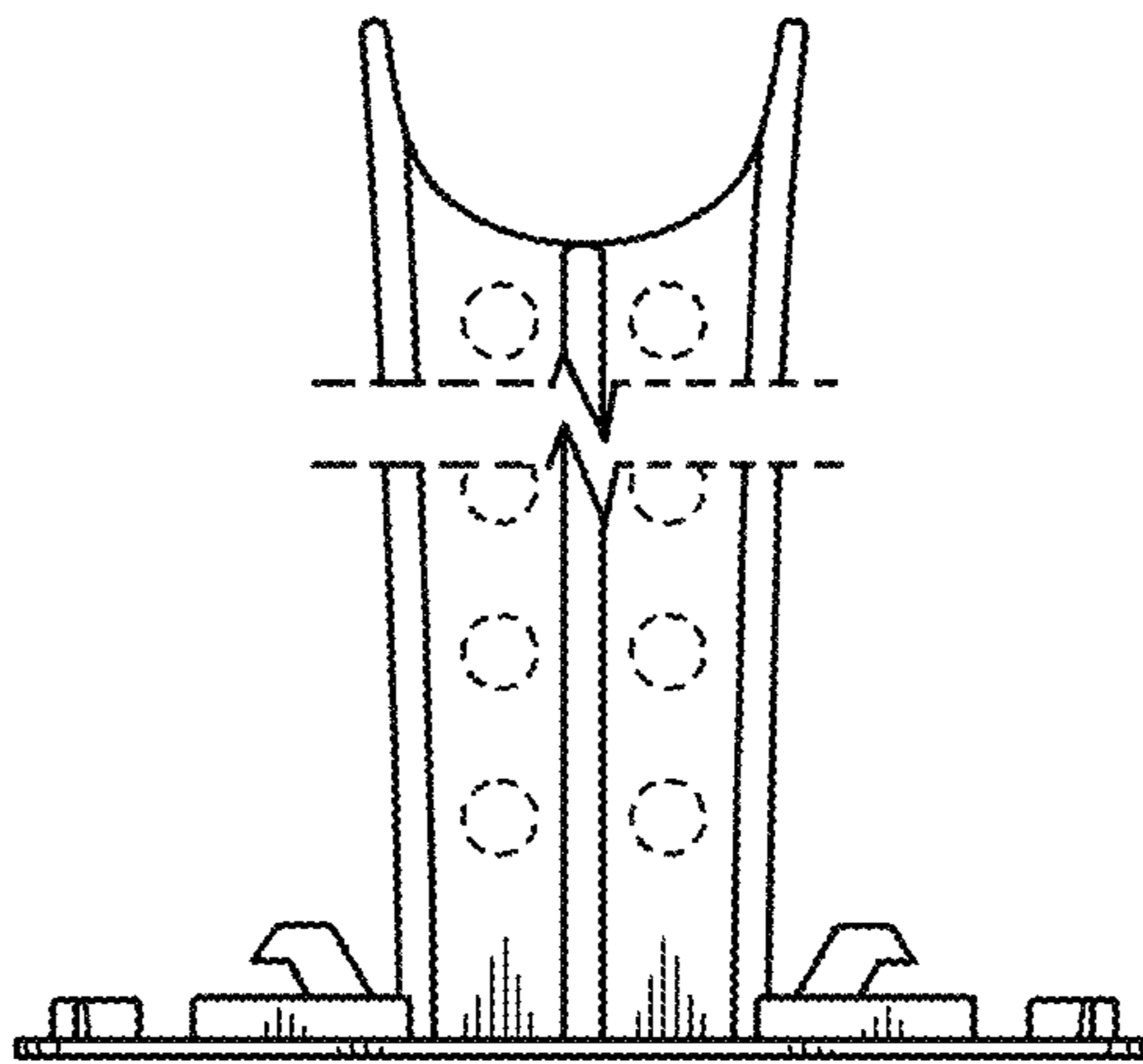


Fig. 4

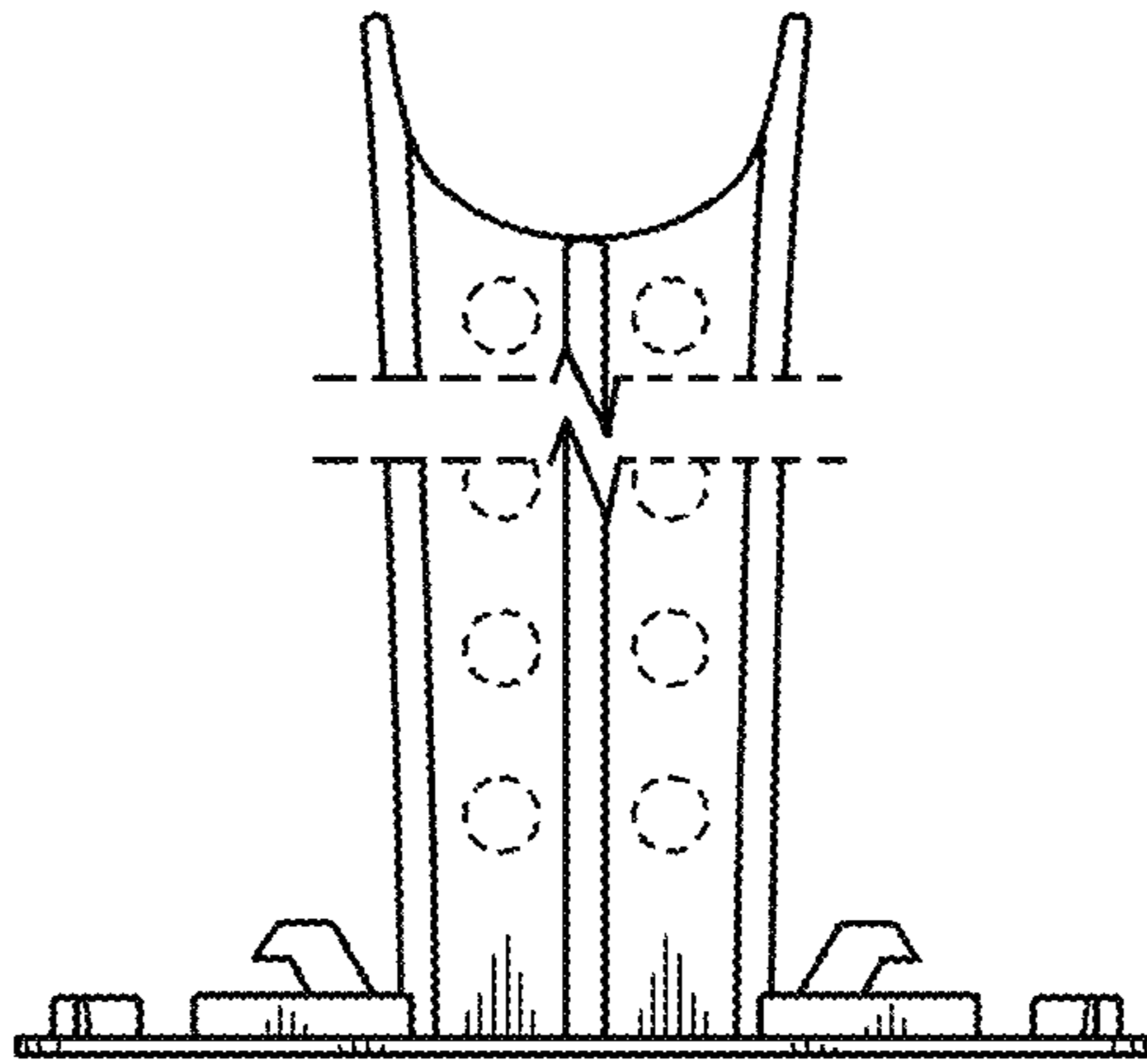


Fig. 5

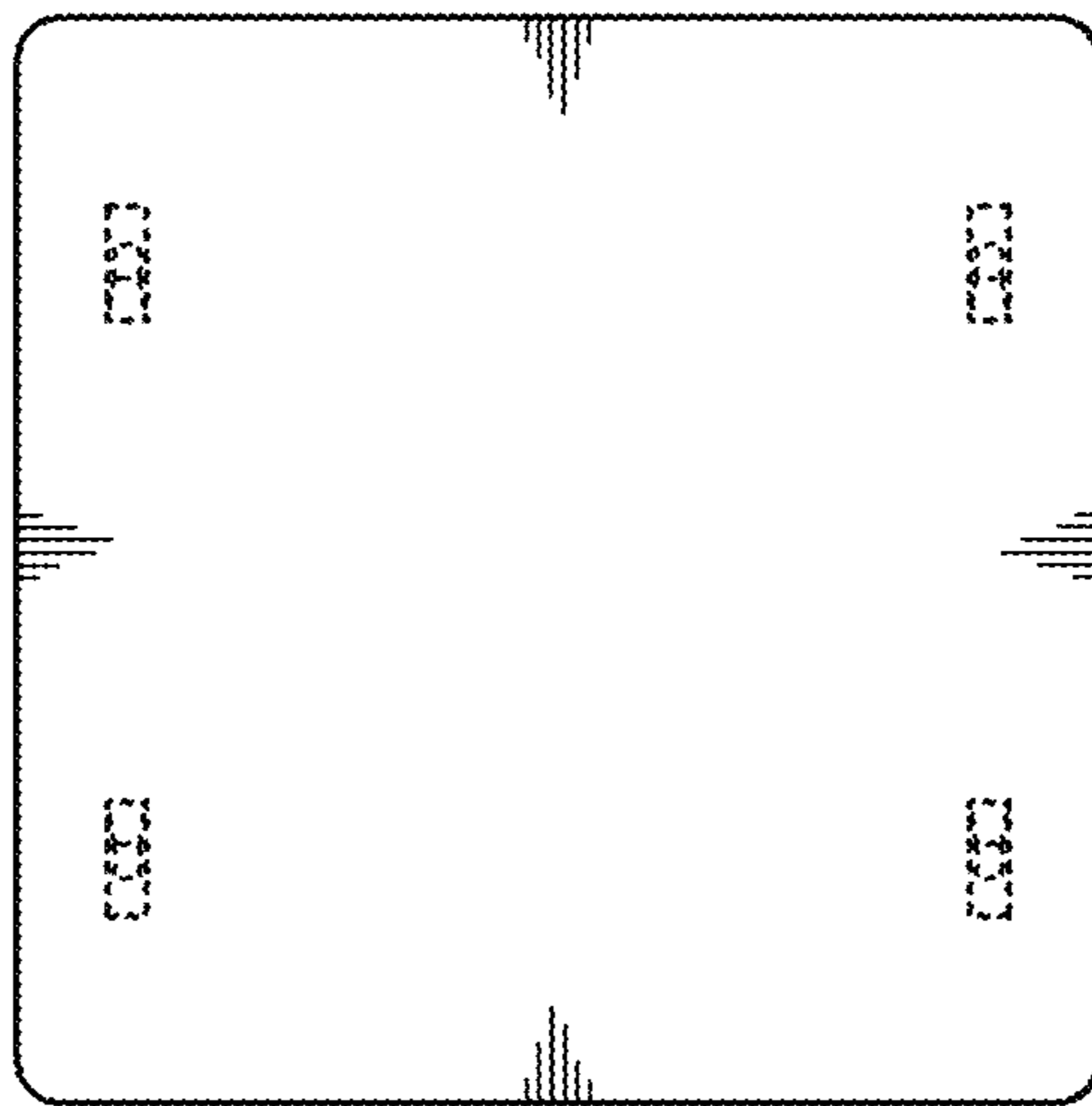


Fig. 6