



US00D872565S

(12) **United States Design Patent**  
**Hendrickson**

(10) **Patent No.:** **US D872,565 S**

(45) **Date of Patent:** **\*\* Jan. 14, 2020**

- (54) **SIDING HOOK**
- (71) Applicant: **Thomas Hendrickson**, Morgantown, IN (US)
- (72) Inventor: **Thomas Hendrickson**, Morgantown, IN (US)
- (\*\*) Term: **15 Years**
- (21) Appl. No.: **29/673,281**
- (22) Filed: **Dec. 13, 2018**
- (51) **LOC (12) Cl.** ..... **09-06**
- (52) **U.S. Cl.**  
USPC ..... **D8/356**
- (58) **Field of Classification Search**  
USPC ..... D8/356, 354, 349, 99, 105, 360, 367;  
D13/155; 320/107; 403/322.2; D3/201;  
431/274  
CPC ..... H02J 7/0026; H02J 7/0021; H02J 7/0027;  
Y02E 60/12; F16B 45/00; F16B 7/042;  
F23Q 1/06; A63B 29/02; A62B 1/14;  
B65H 57/16  
See application file for complete search history.

6,904,729	B1	6/2005	Shroyer	
6,932,310	B1	8/2005	Diss	
D532,074	S *	11/2006	Travis, Sr. ....	D22/149
D546,147	S *	7/2007	Cullen .....	D8/16
D554,980	S *	11/2007	Mihelis .....	D8/356
7,494,095	B2 *	2/2009	Walker et al. ....	248/48.2
D587,470	S *	3/2009	Croisdale .....	D6/317
D600,102	S *	9/2009	Larkin .....	D8/370
7,677,504	B2 *	3/2010	Hutchinson .....	E04D 13/076
				248/48.2
7,757,996	B2 *	7/2010	Jacobs .....	248/64
7,823,852	B1 *	11/2010	Reno .....	248/302
7,823,853	B2	11/2010	Larson	
D629,291	S *	12/2010	Veilleux .....	D8/370
D631,332	S *	1/2011	Bauer et al. ....	D8/367
D632,952	S *	2/2011	Dablemont .....	D8/367
D644,088	S *	8/2011	Gallaty .....	D8/354
D648,208	S *	11/2011	Platt .....	D8/367

(Continued)

*Primary Examiner* — Cynthia R Underwood

(57) **CLAIM**

The ornamental design for a siding hook, as shown and described.

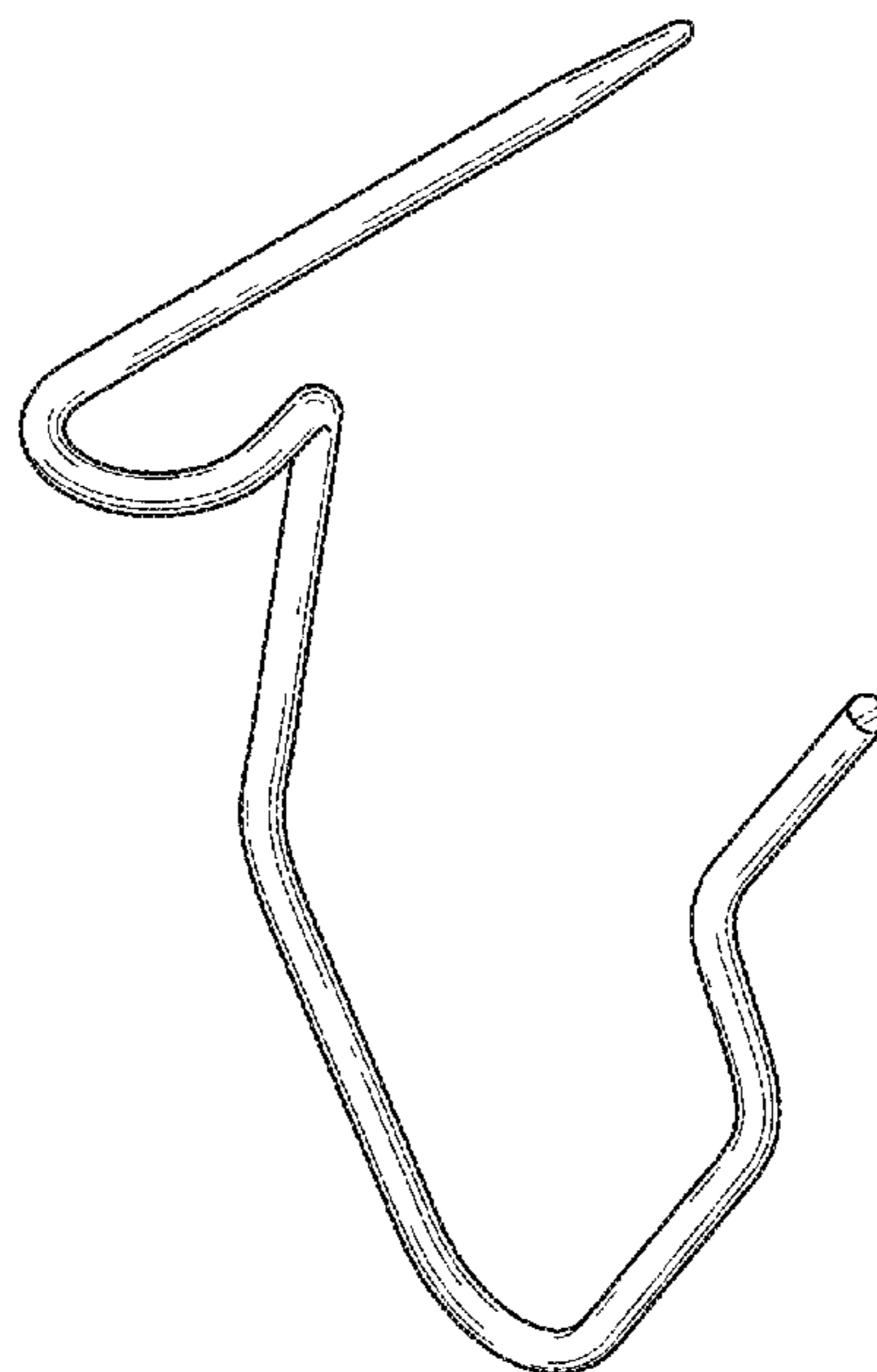
**DESCRIPTION**

FIG. 1 is a front view of a siding hook showing my new design;  
 FIG. 2 is a rear view of the siding hook;  
 FIG. 3 is a right side view of the siding hook;  
 FIG. 4 is a left side view of the siding hook;  
 FIG. 5 is a top view of the siding hook;  
 FIG. 6 is a bottom view of the siding hook;  
 FIG. 7 is a top front side perspective view of the siding hook;  
 and,  
 FIG. 8 is a top front perspective view of the siding hook in use.  
 The broken lines in FIG. 8 are illustrative of environmental structure forming no part of the claimed design.

**1 Claim, 5 Drawing Sheets**

(56) **References Cited**  
U.S. PATENT DOCUMENTS

3,310,271	A	3/1967	King	
D281,950	S *	12/1985	Sachs .....	D8/370
D283,787	S *	5/1986	Chap .....	D8/370
4,714,221	A *	12/1987	Cawrey .....	A47F 5/0823
				248/220.42
D373,072	S *	8/1996	Durante .....	D8/367
D404,127	S *	1/1999	Lammers .....	D24/141
D422,888	S *	4/2000	Outten .....	D8/367
D458,116	S *	6/2002	Roethler .....	D8/367
D489,963	S *	5/2004	Mazooji et al. ....	D8/370
D491,447	S	6/2004	Diss	
D504,934	S *	5/2005	Amburgey .....	D22/149



(56)

**References Cited**

U.S. PATENT DOCUMENTS

8,162,361 B2 \* 4/2012 Biddington ..... F24B 15/002  
294/14  
D661,574 S \* 6/2012 Platt ..... D8/367  
D668,938 S \* 10/2012 Morales ..... D8/367  
D698,105 S \* 1/2014 Huster ..... D30/199  
D753,984 S \* 4/2016 Combs ..... D8/354

\* cited by examiner

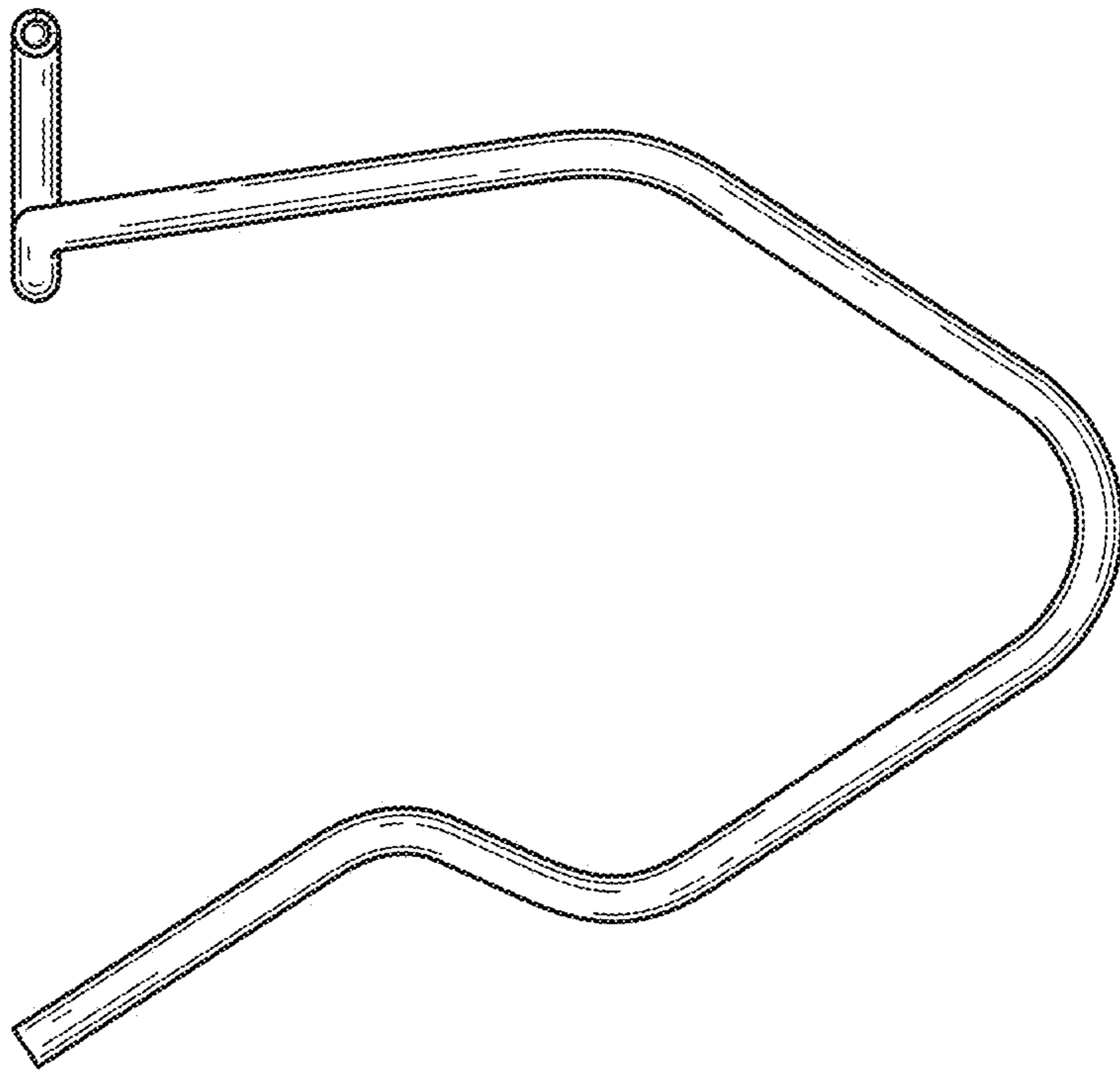


FIG. 2

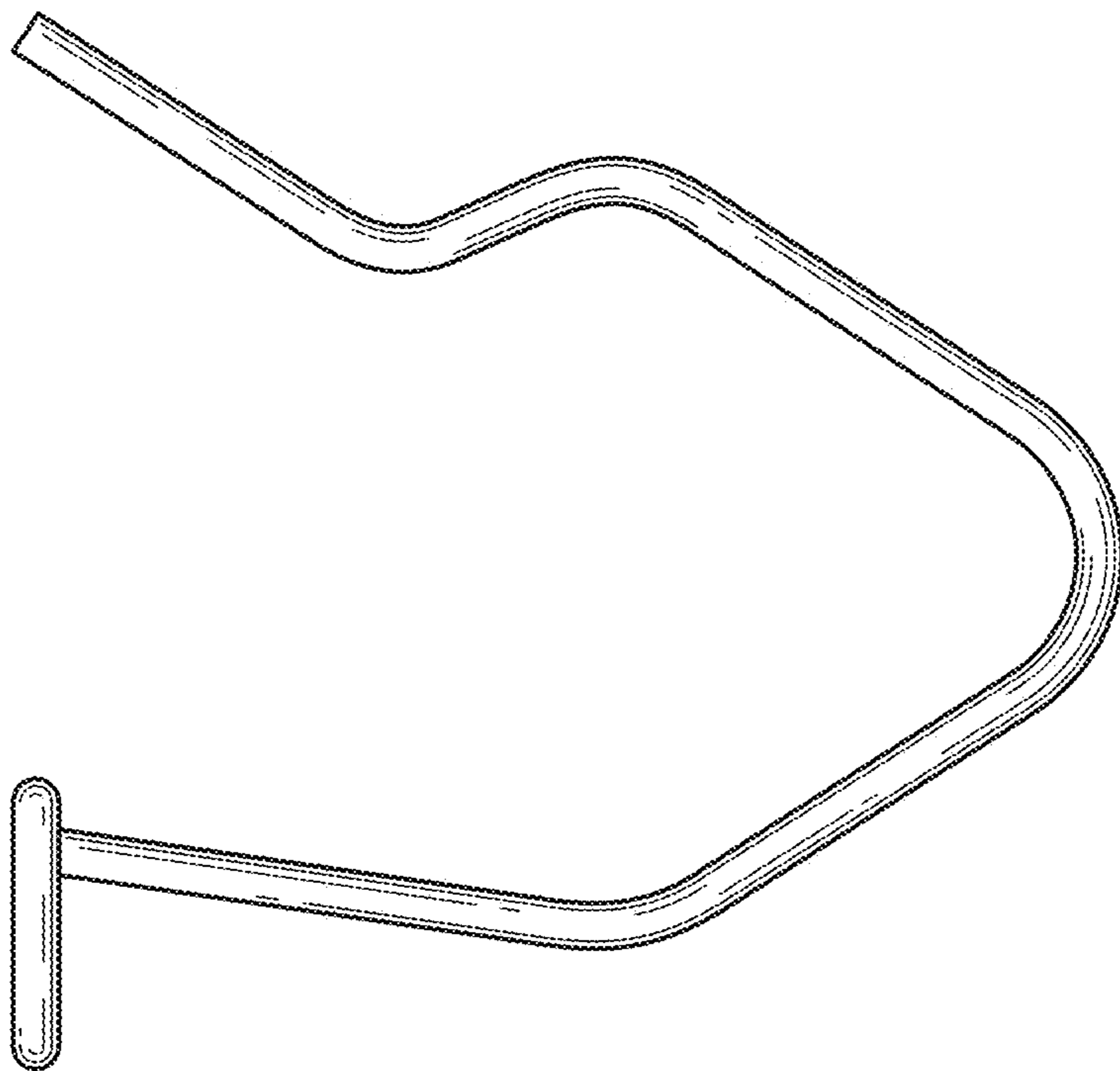


FIG. 1

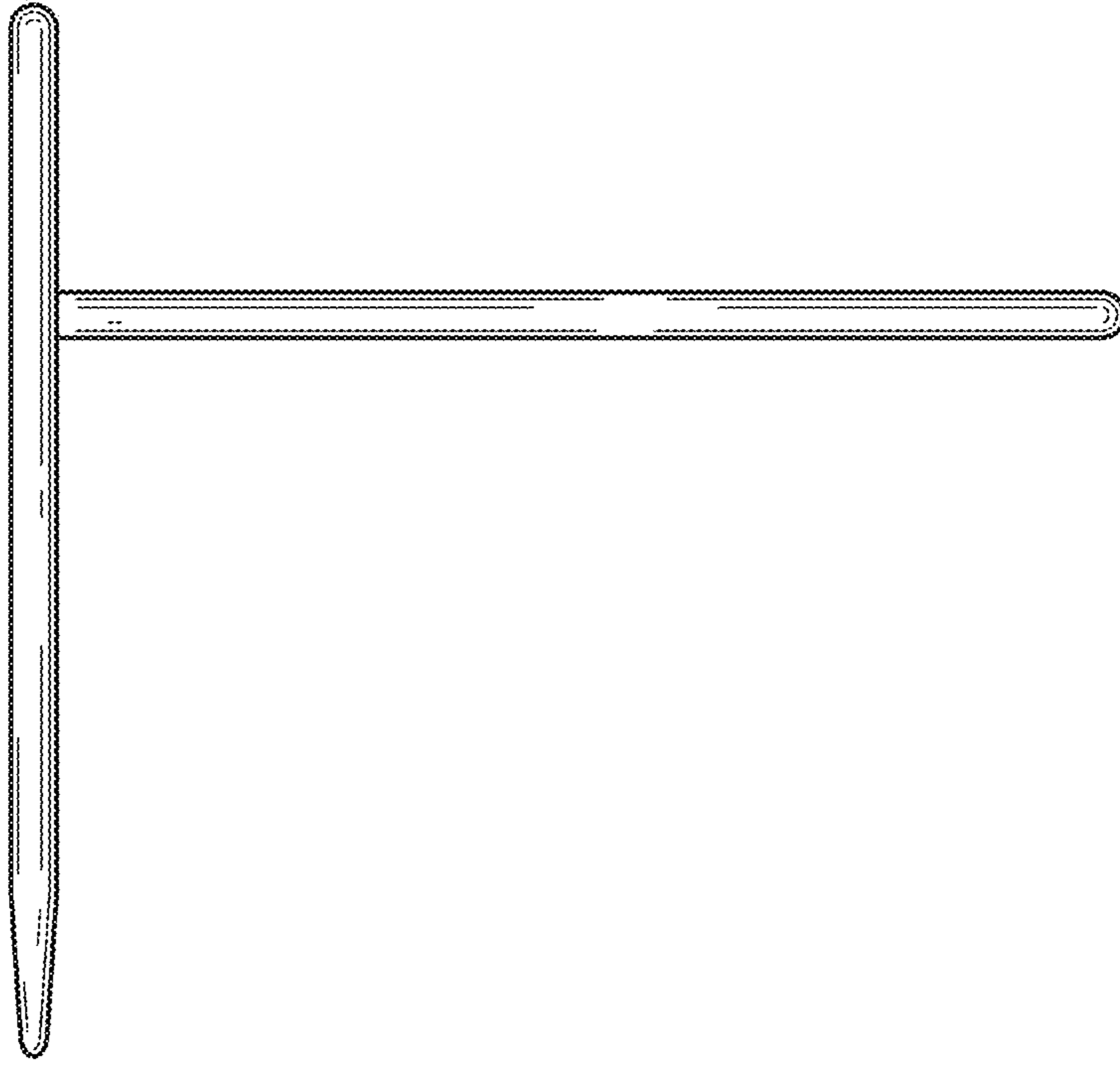


FIG. 4

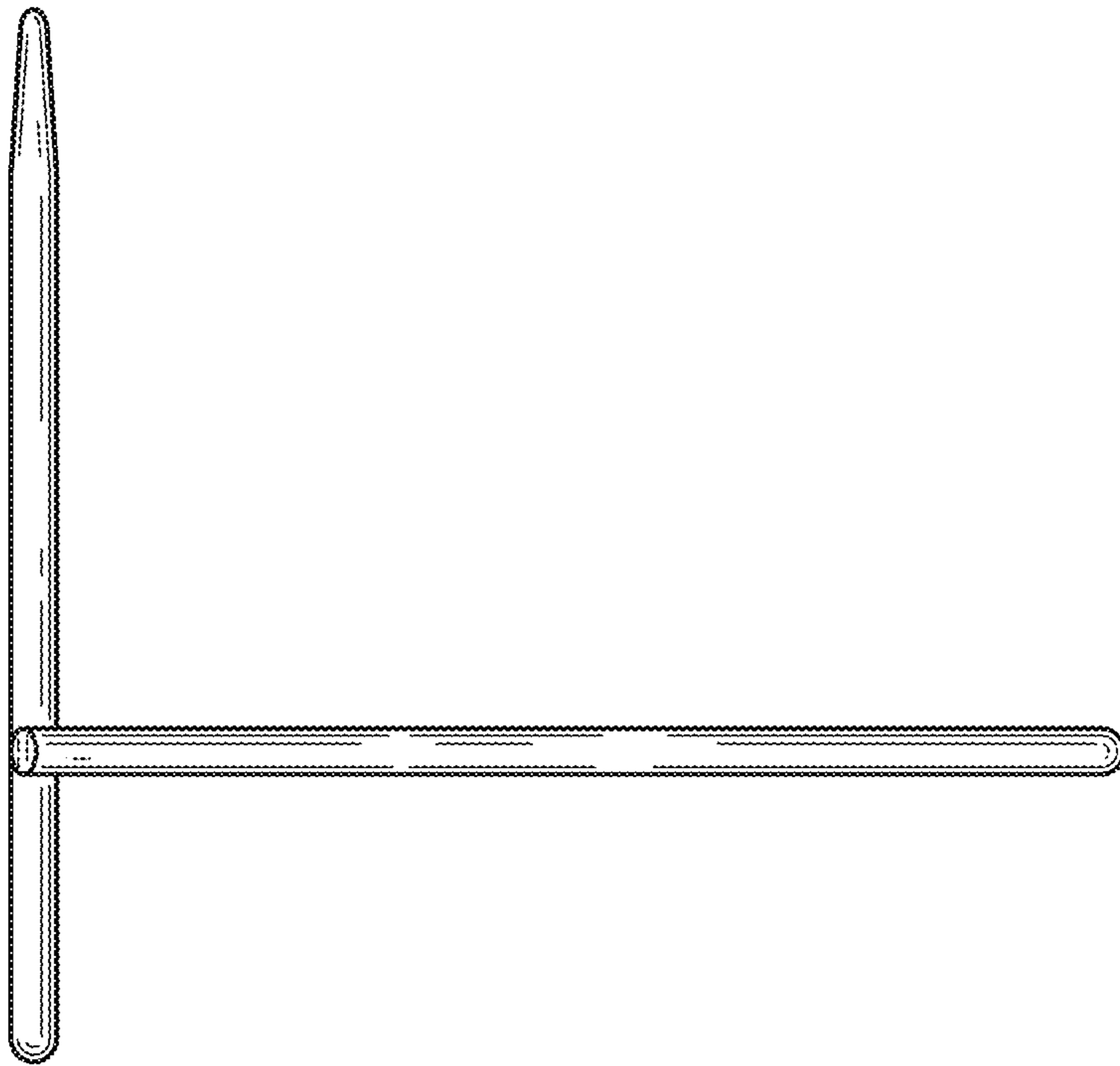


FIG. 3

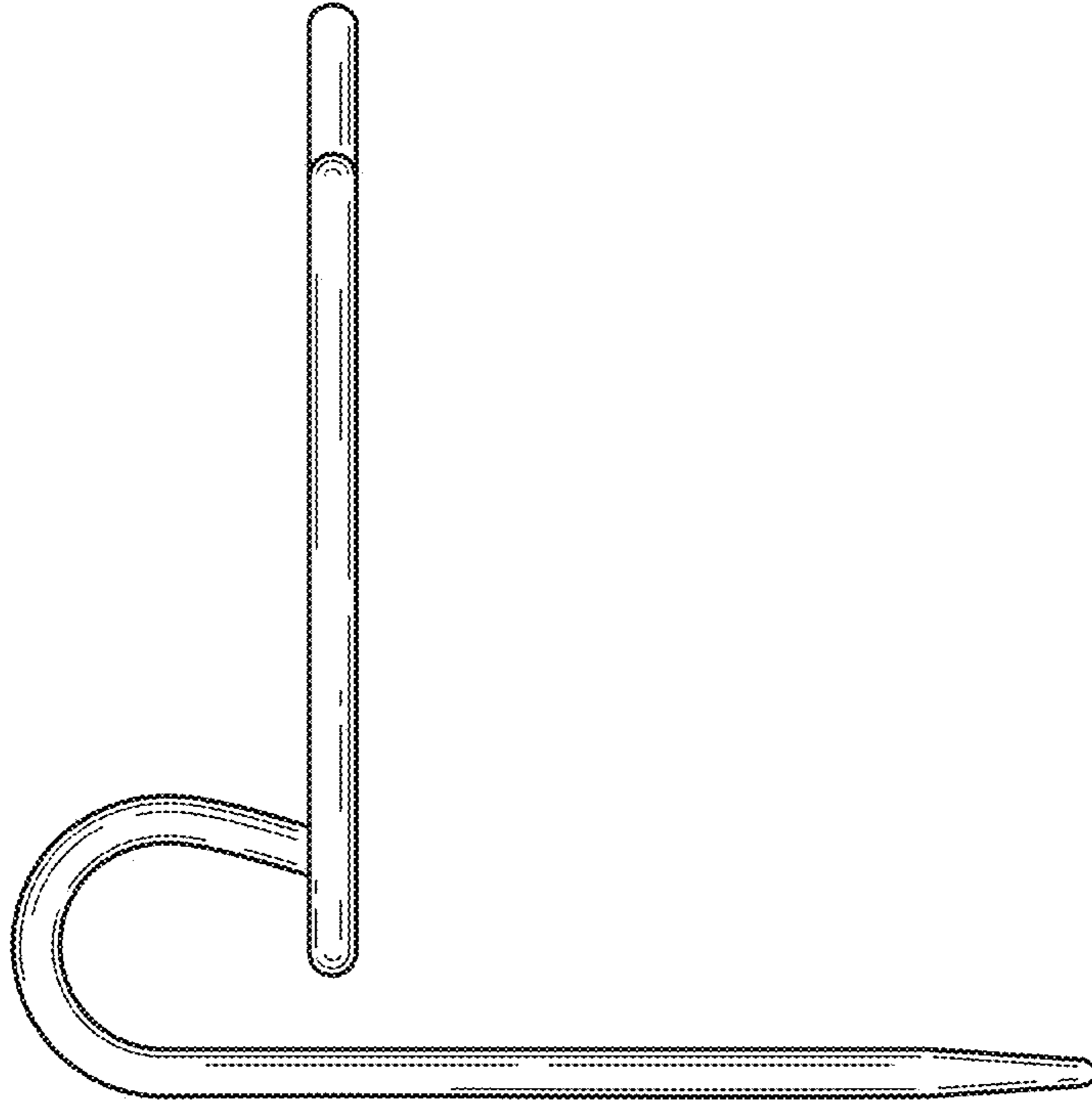


FIG. 5

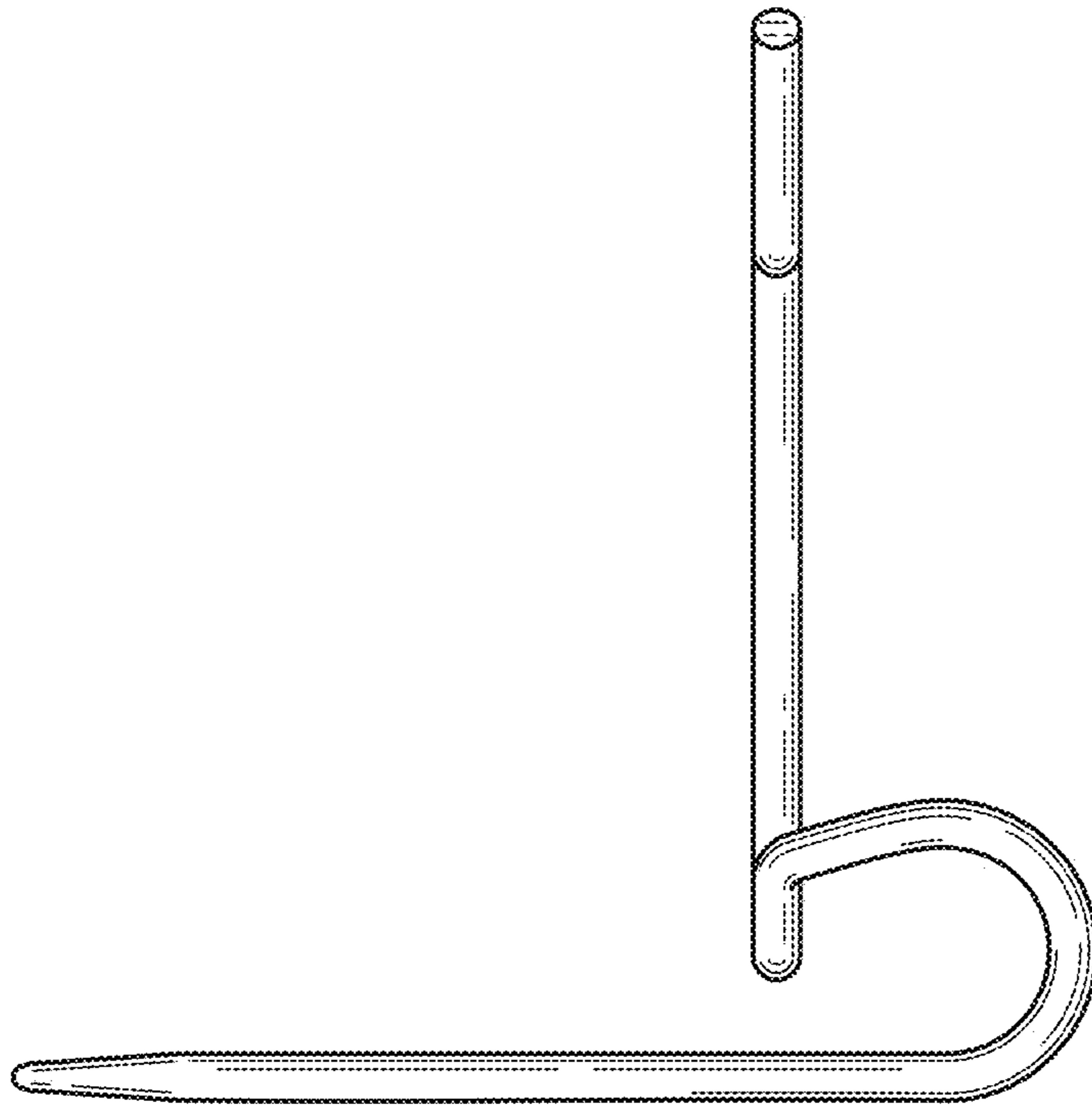
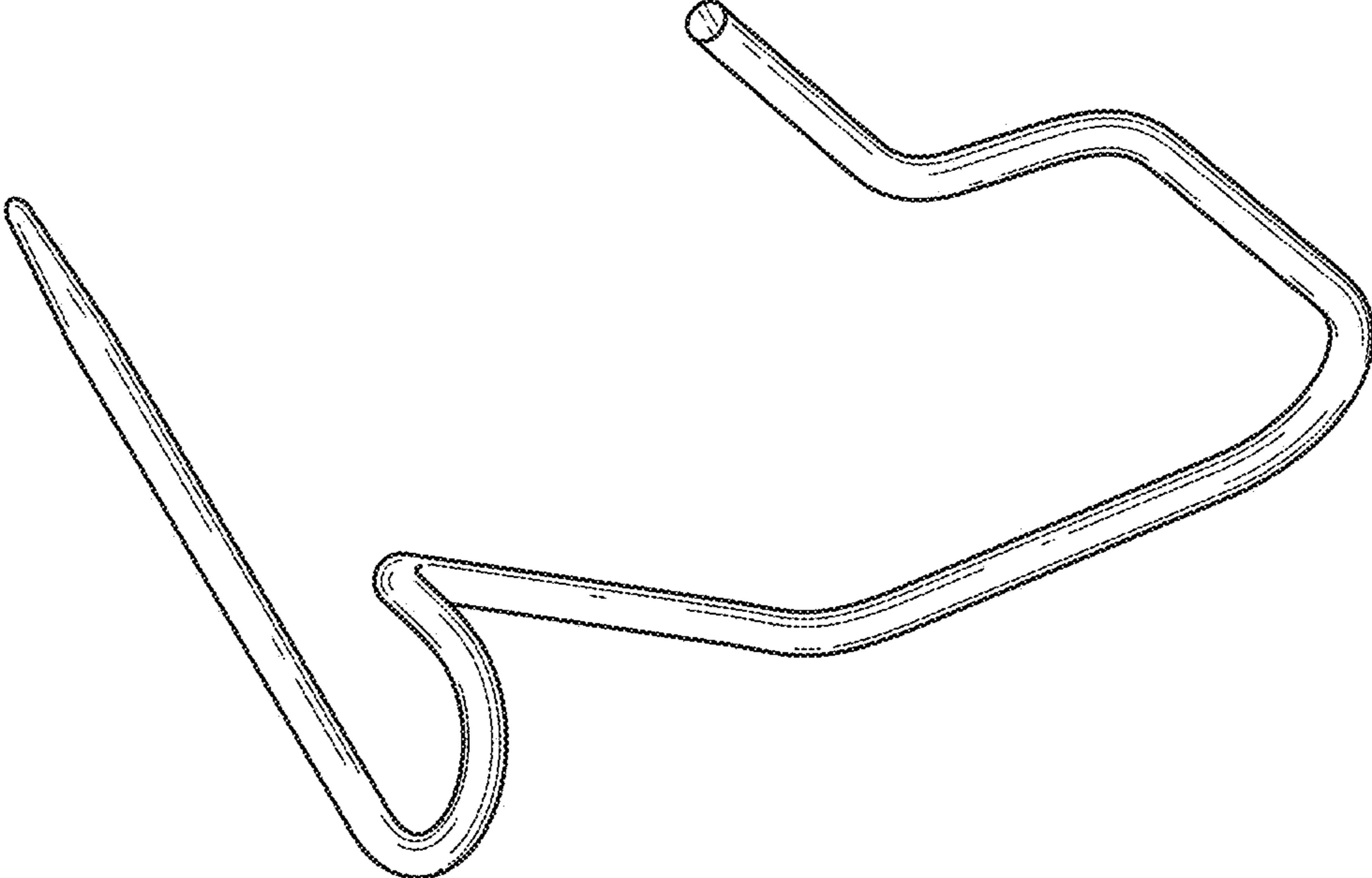


FIG. 6

FIG. 7



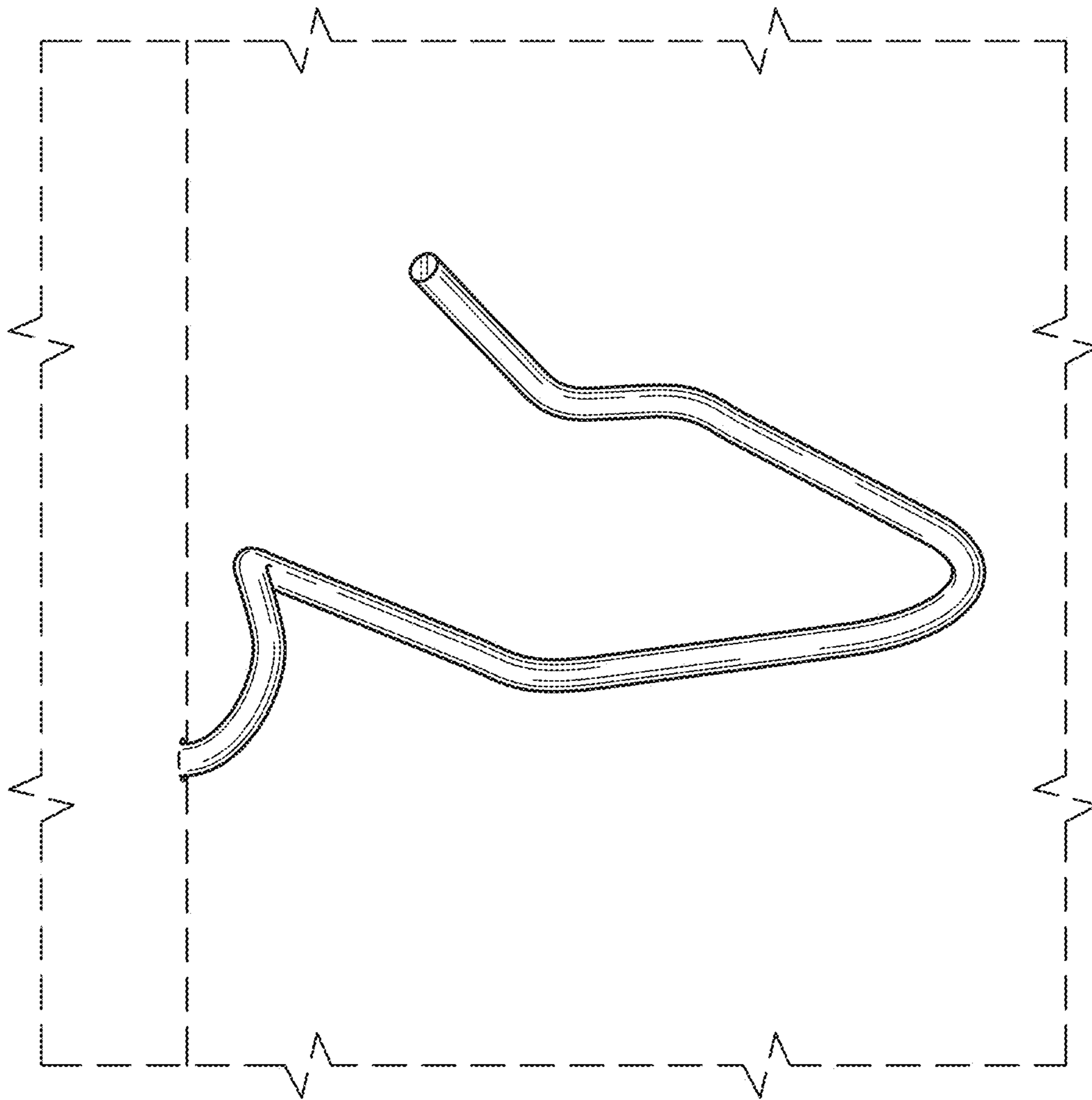


FIG. 8