



US00D872564S

(12) **United States Design Patent**
McKee

(10) **Patent No.:** **US D872,564 S**

(45) **Date of Patent:** **** Jan. 14, 2020**

(54) **STRING LINE TENSIONER**

(71) Applicant: **Troy McKee**, Kirkland, WA (US)

(72) Inventor: **Troy McKee**, Kirkland, WA (US)

(**) Term: **15 Years**

(21) Appl. No.: **29/662,813**

(22) Filed: **Sep. 9, 2018**

(51) **LOC (12) Cl.** **09-06**

(52) **U.S. Cl.**
USPC **D8/356; D8/387**

(58) **Field of Classification Search**
USPC D8/367, 356, 354, 349, 105, 380, 387;
24/599.9

CPC B65H 57/16; B63B 21/045; F16B 45/02;
H02J 7/0026; A63B 27/00; A63B 29/00
See application file for complete search history.

(56) **References Cited**

U.S. PATENT DOCUMENTS

3,304,038	A *	2/1967	Guthrie	B05B 1/20
					248/71
D210,042	S *	1/1968	Laurini	D8/356
4,005,629	A *	2/1977	Franklin	F16B 35/044
					403/49
D341,127	S *	11/1993	Sachs	D13/149
D423,913	S *	5/2000	Dougan, Jr.	D8/356
D427,034	S *	6/2000	Cyrell	D8/356
D465,147	S *	11/2002	Chaky	D8/354

D470,035	S *	2/2003	Tisbo	D8/1
D605,500	S *	12/2009	Lee	D8/387
D630,086	S *	1/2011	Chou	D8/356
D647,393	S *	10/2011	Carrillo, Sr.	D8/387
D708,929	S *	7/2014	He	D8/356
D738,199	S *	9/2015	Daniels	D8/387
D738,707	S *	9/2015	Tung	D8/356
D747,642	S *	1/2016	Grace	D8/349
D747,643	S *	1/2016	Grace	D8/349
D755,609	S *	5/2016	Heirakuji	D8/356
9,353,891	B1 *	5/2016	Main	F16L 3/1226
D807,730	S *	1/2018	Wu	D8/356
D844,417	S *	4/2019	Nitta	D8/356
D847,595	S *	5/2019	Hampton	D8/14
2010/0239386	A1 *	9/2010	Sedgwick	A47G 1/20
					411/402

* cited by examiner

Primary Examiner — Cynthia R Underwood

(57) **CLAIM**

The ornamental design for a string line tensioner, as shown and described.

DESCRIPTION

FIG. 1 is a perspective view of the string line tensioner showing my new design;

FIG. 2 is a top plan view thereof;

FIG. 3 is a bottom plan view thereof;

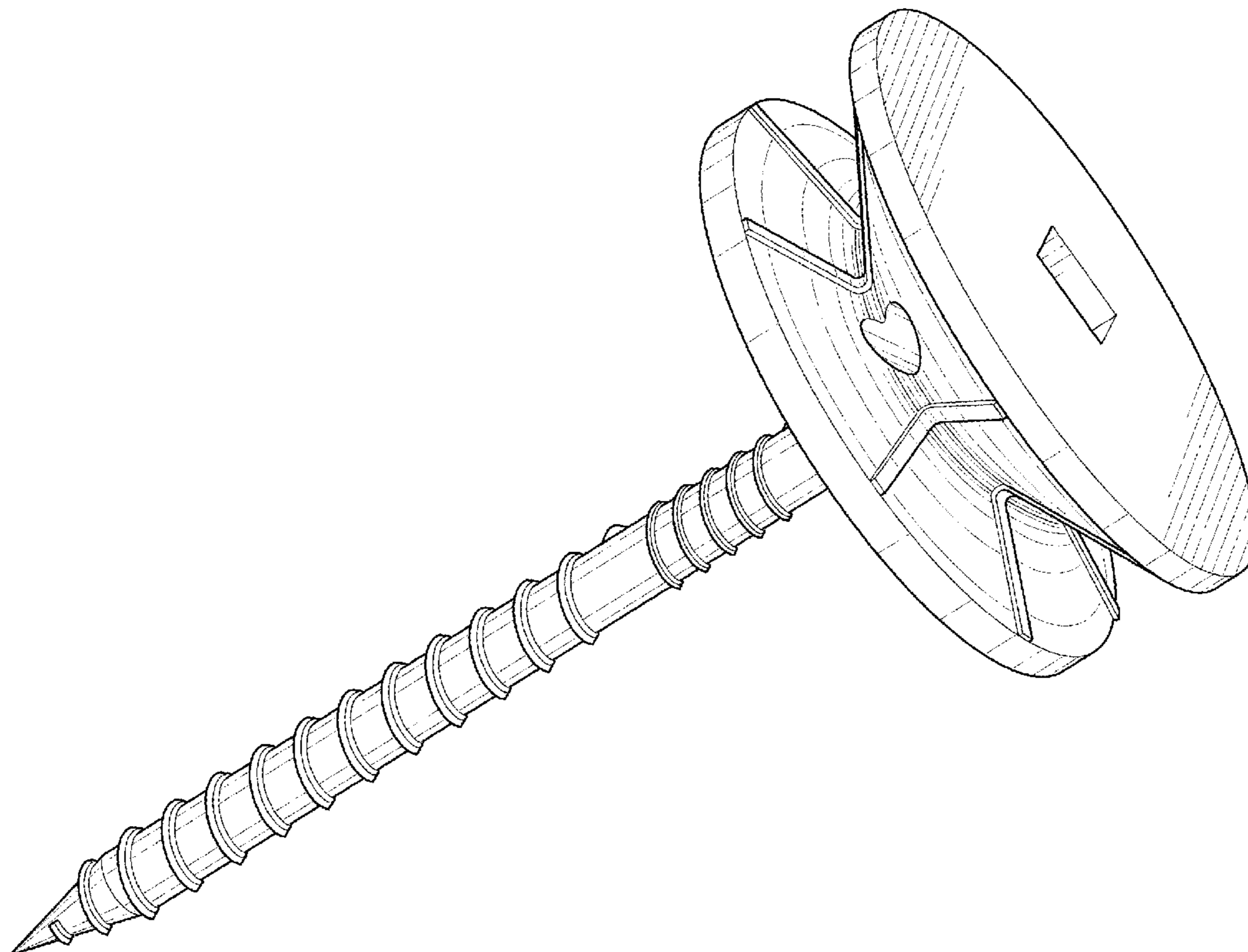
FIG. 4 is a right side view thereof;

FIG. 5 is a left side view thereof;

FIG. 6 is a rear elevation view thereof; and,

FIG. 7 is a front elevation view thereof.

1 Claim, 4 Drawing Sheets



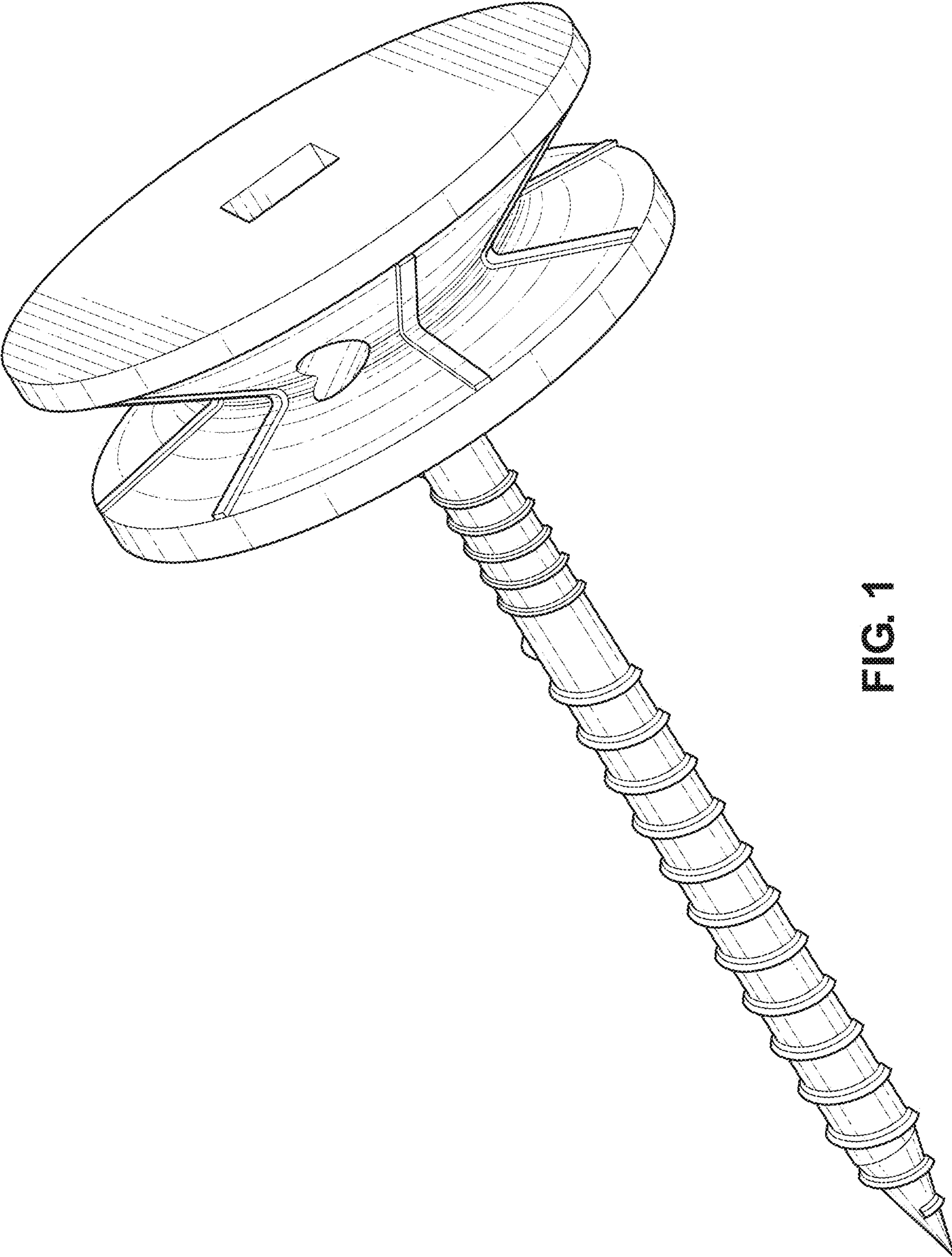


FIG. 1

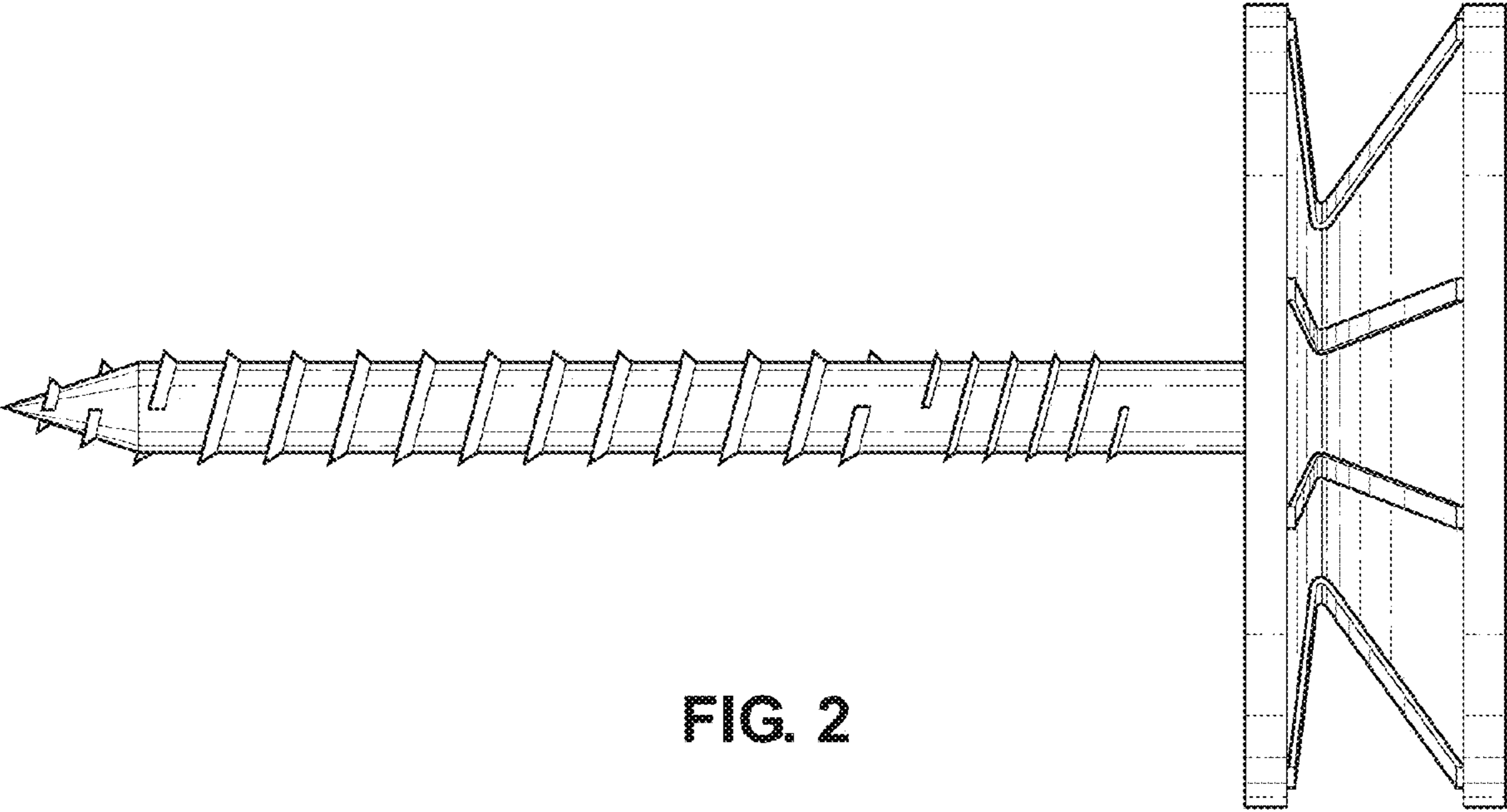


FIG. 2

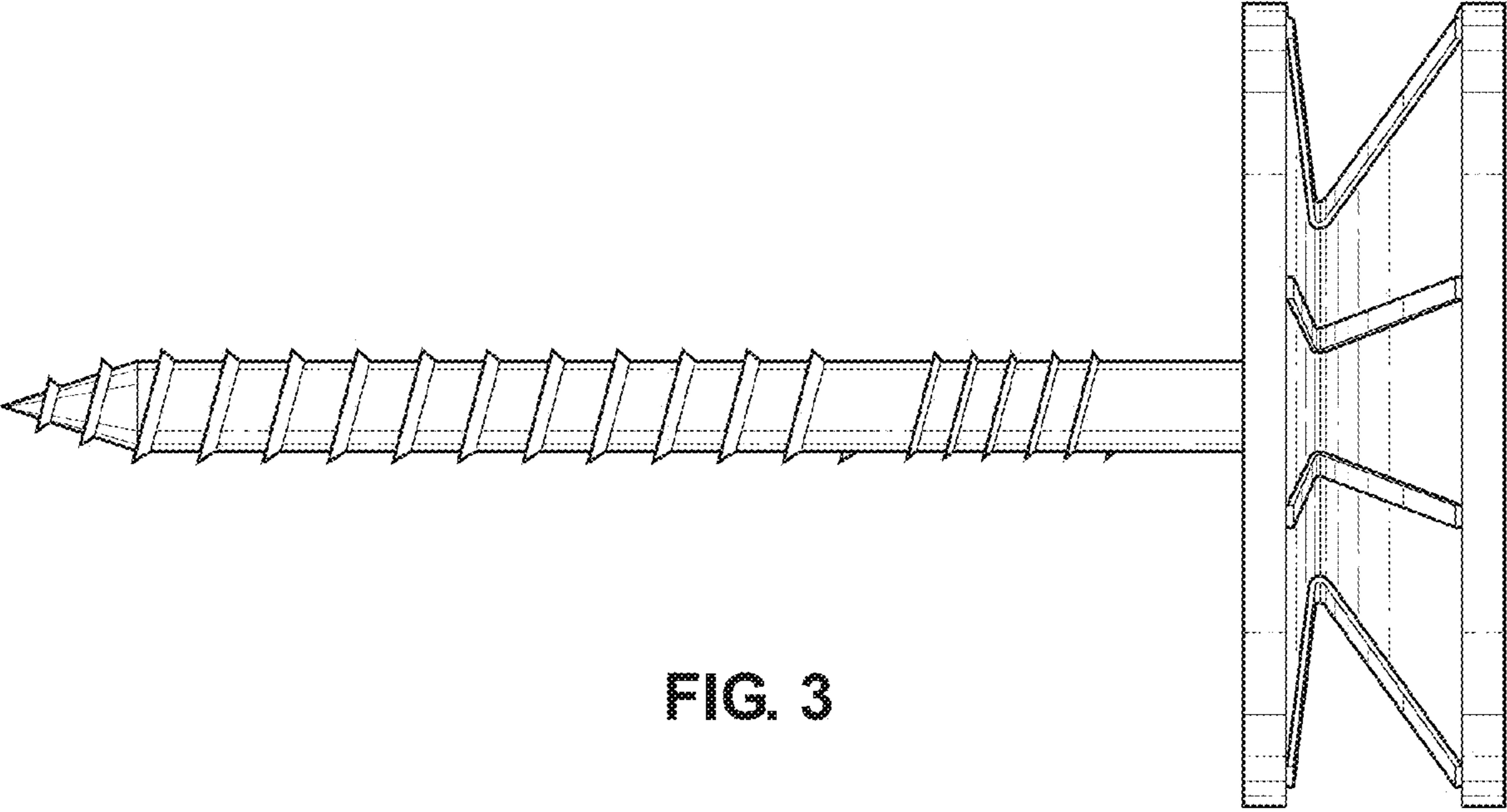


FIG. 3

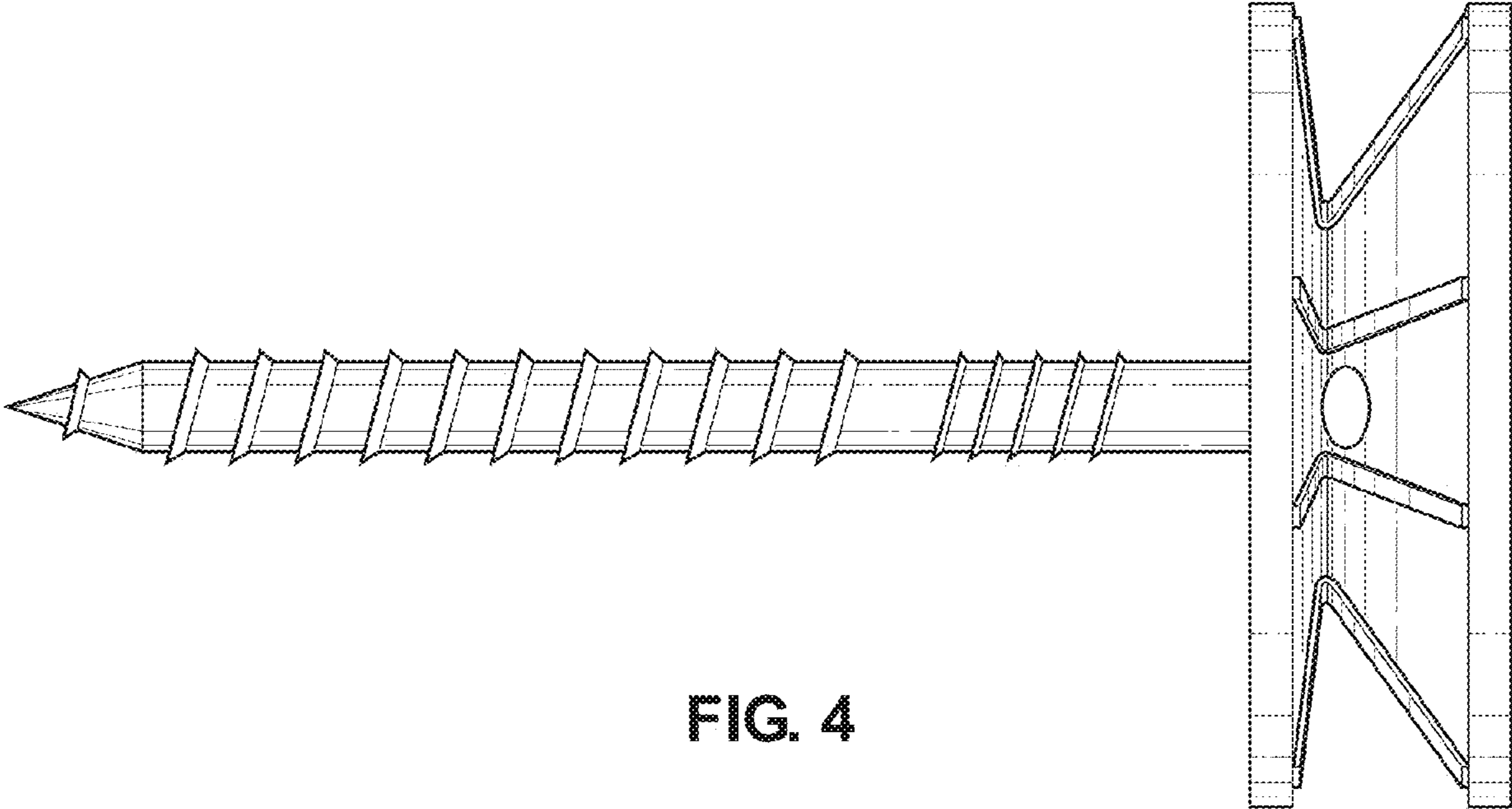


FIG. 4

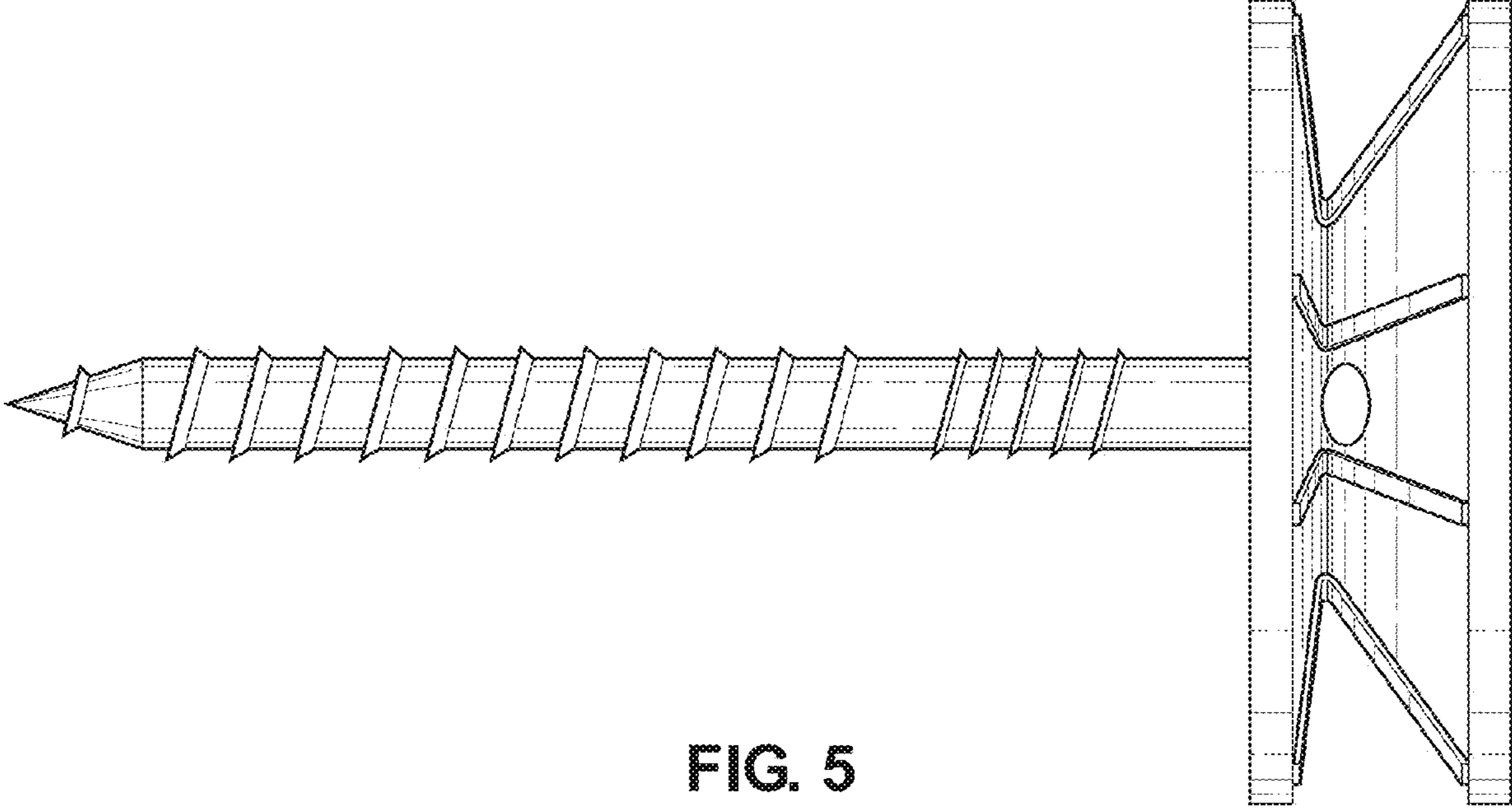


FIG. 5

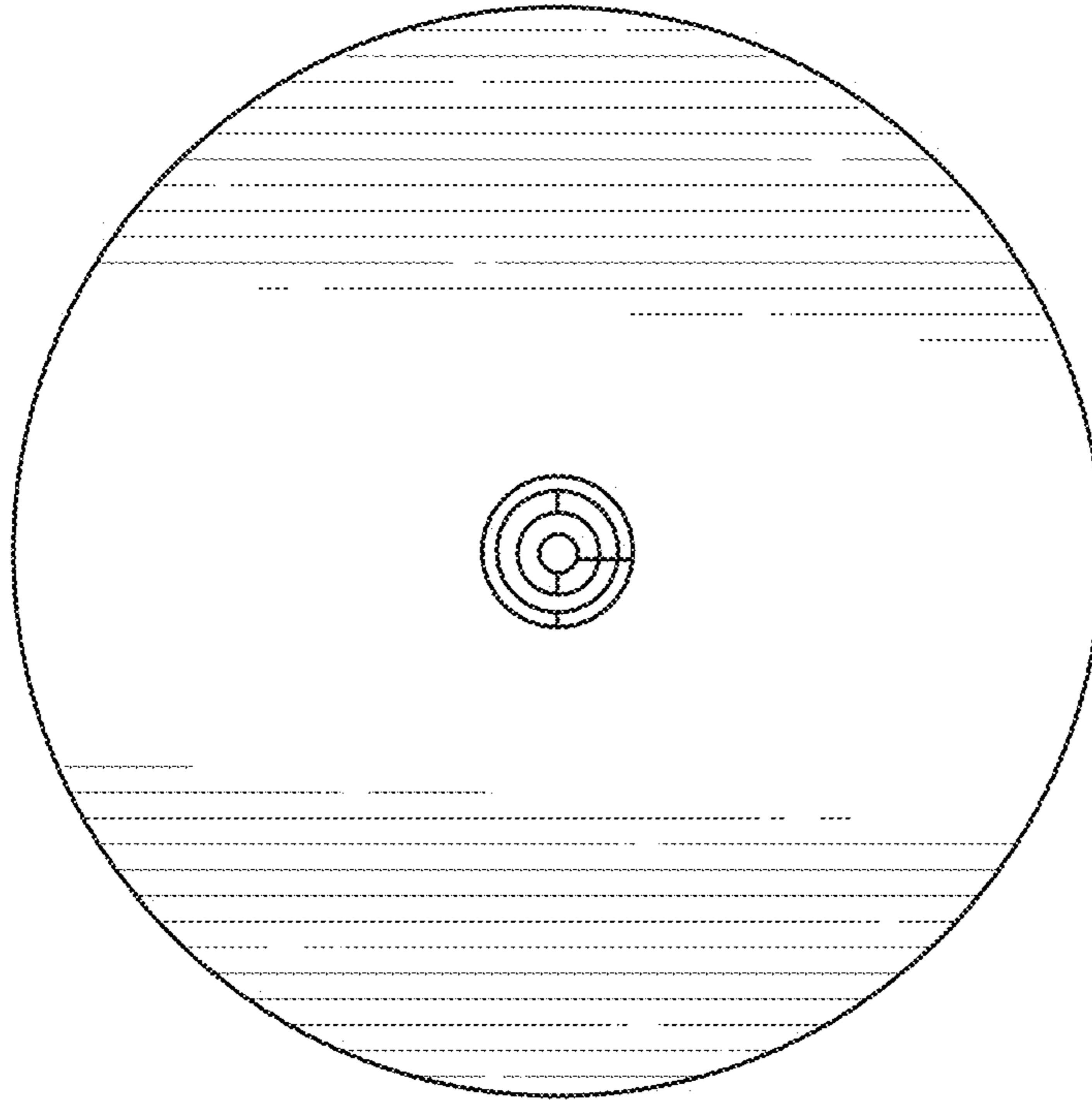


FIG. 6

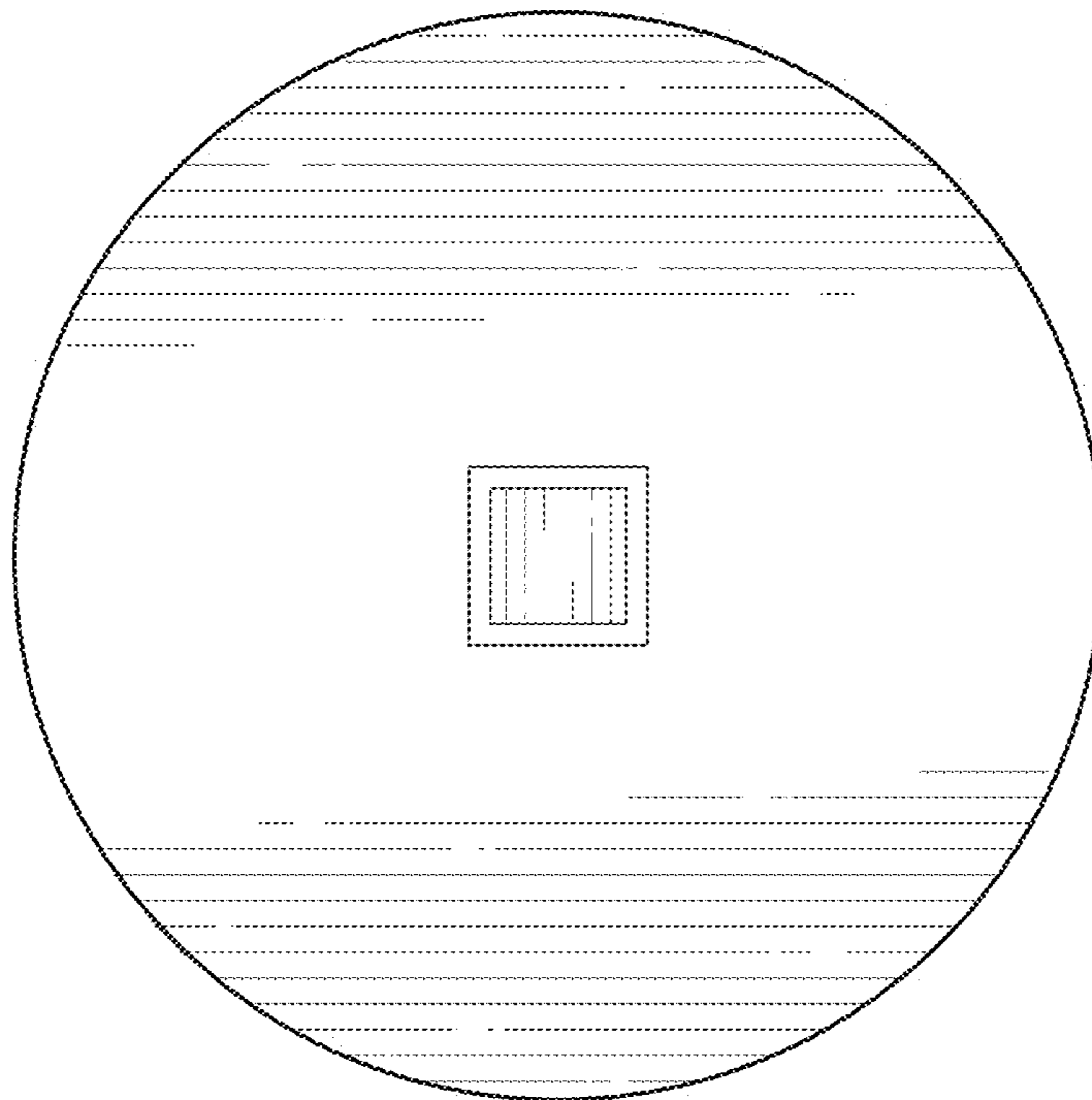


FIG. 7