



US00D872563S

(12) **United States Design Patent** (10) **Patent No.:** **US D872,563 S**  
**Beagen** (45) **Date of Patent:** **\*\* Jan. 14, 2020**

(54) **CONDUIT HANGER ADAPTER**  
(71) Applicant: **Anvil International, LLC**, Exeter, NH (US)  
(72) Inventor: **Joseph Beagen**, Providence, RI (US)  
(73) Assignee: **Anvil International, LLC**, Exeter, NH (US)

3,539,139 A 11/1970 Eucker  
3,838,712 A 10/1974 Courtney et al.  
3,960,350 A 6/1976 Tardoskegyi  
4,793,578 A 12/1988 Howard  
4,834,186 A 5/1989 Ballard  
D332,481 S 1/1993 Petty et al.  
(Continued)

(\*\*) Term: **15 Years**  
(21) Appl. No.: **29/701,865**  
(22) Filed: **Aug. 15, 2019**

**FOREIGN PATENT DOCUMENTS**

CA 2921391 2/2015  
JP 2000317008 11/2000  
WO 2019010319 1/2019

**OTHER PUBLICATIONS**

Beagen, Joseph; Final Office Action for U.S. Appl. No. 15/644,141, filed Jul. 7, 2017, dated Oct. 1, 2019, 15 pgs.  
(Continued)

**Related U.S. Application Data**

(63) Continuation of application No. 29/680,987, filed on Feb. 21, 2019, now Pat. No. Des. 862,203, which is a continuation of application No. 29/625,298, filed on Nov. 8, 2017, now Pat. No. Des. 854,915.  
(51) **LOC (12) Cl.** ..... **08-05**  
(52) **U.S. Cl.**  
USPC ..... **D8/354**  
(58) **Field of Classification Search**  
USPC ..... D8/354, 349, 356, 364, 367, 373, 380, D8/382, 383, 396; D23/262, 265  
CPC ..... H02G 3/0691; H02G 3/06; H02G 3/0616  
See application file for complete search history.

*Primary Examiner* — Janice Hallmark  
*Assistant Examiner* — Harold E Blackwell, II  
(74) *Attorney, Agent, or Firm* — Taylor English Duma LLP

(57) **CLAIM**

I claim the ornamental design for a conduit hanger adapter, as shown and described.

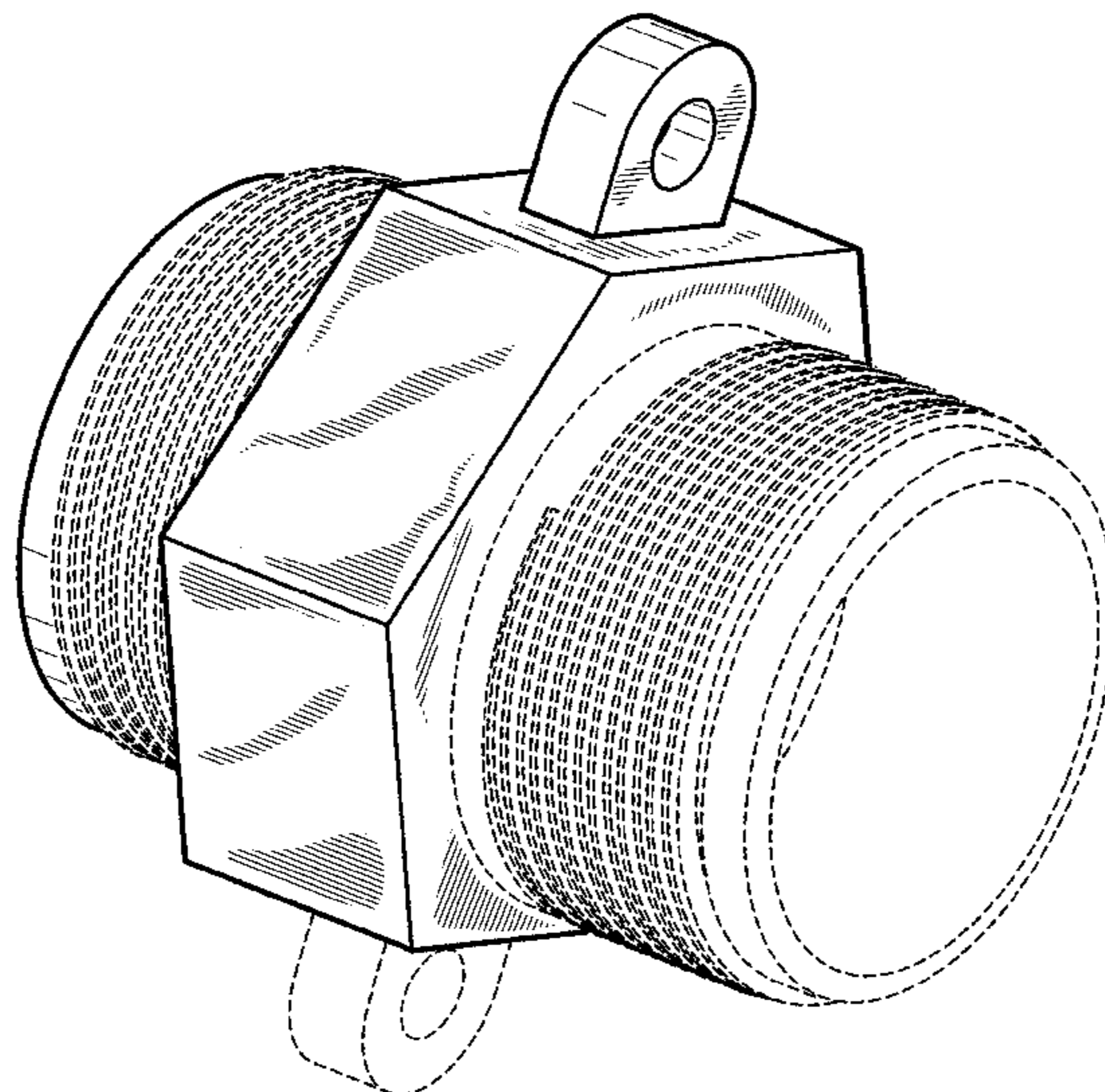
**DESCRIPTION**

FIG. 1 is an isometric view of my new design;  
FIG. 2 is a top view of the design of FIG. 1;  
FIG. 3 is a bottom view of the design of FIG. 1;  
FIG. 4 is a first side view of the design of FIG. 1;  
FIG. 5 is a second side view of the design of FIG. 1;  
FIG. 6 is a first end view of the design of FIG. 1; and,  
FIG. 7 is a second end view of the design of FIG. 1.  
The invention pertains to an ornamental design for a conduit hanger adapter. The solid lines represent the bounds of the claimed design, whereas those features shown in broken lines form no part of the claimed design.

(56) **References Cited**  
U.S. PATENT DOCUMENTS

884,661 A 4/1908 Howe  
1,052,837 A 2/1913 Makutchan  
1,760,224 A 5/1930 Wray  
1,838,623 A 12/1931 Hersey et al.  
2,246,557 A 6/1941 Walters  
D152,275 S \* 1/1949 Ludwig ..... D13/134  
2,698,760 A 1/1955 Roth et al.  
3,194,590 A 7/1965 Cook  
3,244,388 A 4/1966 Coffman  
3,414,220 A 12/1968 Walker

**1 Claim, 5 Drawing Sheets**



(56)

References Cited

U.S. PATENT DOCUMENTS

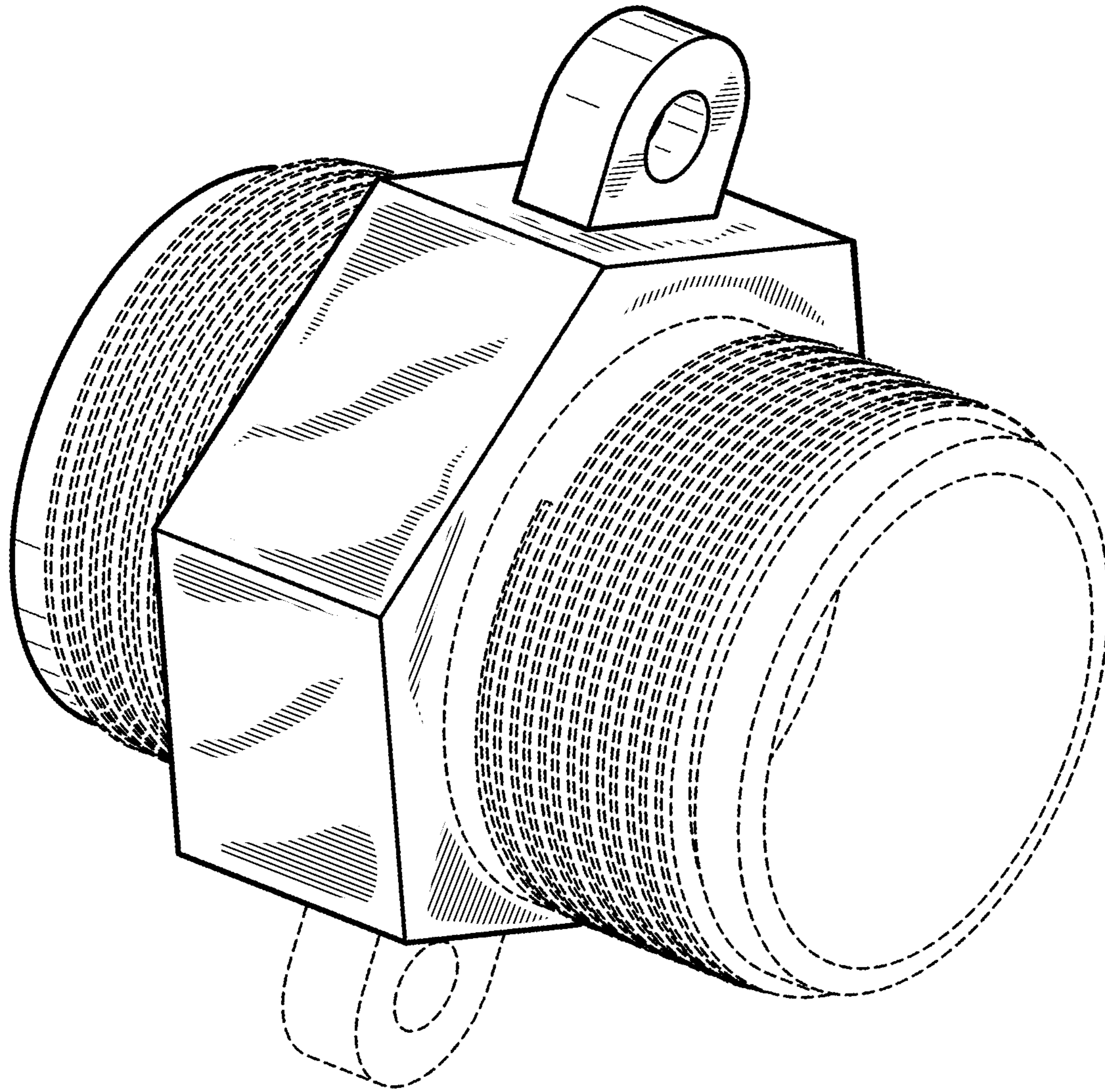
5,209,440 A 5/1993 Walker  
 5,226,456 A 7/1993 Semak  
 5,344,108 A 9/1994 Heath  
 5,474,274 A 12/1995 Bernosky  
 5,702,077 A 12/1997 Heath  
 D397,413 S 8/1998 Sapp  
 6,086,029 A 7/2000 Oliver  
 6,135,397 A 10/2000 Santa Cruz et al.  
 6,158,519 A 12/2000 Kretschmer  
 6,484,976 B1 12/2002 Boutin  
 6,488,097 B1 12/2002 MacDonald, III et al.  
 6,655,641 B2 12/2003 Sherman et al.  
 6,896,301 B2 5/2005 Brice  
 D544,448 S 6/2007 Hull et al.  
 D554,237 S 10/2007 Lewis et al.  
 D594,938 S 6/2009 Dirneder  
 7,793,988 B1 9/2010 Shemtov  
 D647,784 S 11/2011 McNamara  
 8,056,938 B2 11/2011 Shen et al.  
 D659,644 S 5/2012 Gretz  
 8,875,743 B2 11/2014 Persaud et al.  
 8,876,067 B2 11/2014 McAllister et al.  
 D724,699 S 3/2015 Wyne  
 9,140,277 B2 9/2015 McMillen et al.  
 9,375,594 B2 6/2016 Stempo et al.  
 9,464,749 B2 10/2016 Heath  
 D777,885 S 1/2017 Zhang et al.  
 D779,046 S 2/2017 Tansey, Jr.  
 D782,621 S 3/2017 Smith  
 D787,648 S 5/2017 Smith  
 9,709,192 B1 7/2017 Newcomb et al.  
 9,951,821 B1 4/2018 Franzino  
 10,006,565 B2 6/2018 Kito et al.  
 D822,180 S 7/2018 Rolston  
 D832,222 S 10/2018 Johnson et al.  
 D854,915 S 7/2019 Beagen  
 D862,203 S 10/2019 Beagen  
 2002/0195817 A1 12/2002 Choi  
 2004/0094960 A1 5/2004 Brice  
 2005/0051674 A1 3/2005 Breeden et al.

2007/0205601 A1\* 9/2007 Shemtov ..... F16L 5/06  
 285/151.1  
 2008/0011908 A1 1/2008 Wilson et al.  
 2009/0224533 A1 9/2009 Richter  
 2010/0038494 A1 2/2010 Osborn  
 2011/0147538 A1 6/2011 Schiefelbein, Jr.  
 2013/0233430 A1 9/2013 Stempo et al.  
 2014/0020777 A1\* 1/2014 Kacik ..... F16K 3/04  
 137/801  
 2015/0048614 A1\* 2/2015 Coyle, Jr. .... F16L 19/12  
 285/322  
 2015/0069750 A1\* 3/2015 Jung ..... H02G 3/0675  
 285/14  
 2017/0082232 A1 3/2017 Bosis et al.  
 2017/0184222 A1 6/2017 Aker  
 2018/0099167 A1 4/2018 Dafoneseca et al.  
 2019/0009295 A1 1/2019 Beagen

OTHER PUBLICATIONS

Beagen, Joseph; Non-Final Office Action for U.S. Appl. No. 15/644,141, filed Jul. 7, 2017, dated Mar. 27, 2019, 16 pgs.  
 Beagen, Joseph; Requirement for Restriction/Election for U.S. Appl. No. 15/644,141, filed Jul. 7, 2017, dated Jan. 3, 2019, 5 pgs.  
 Beagen, Joseph; International Search Report for PCT Application No. PCT/US18/40938, filed Jul. 5, 2018, dated Oct. 1, 2018, 11 pgs.  
 Uponor-USA.com, "How an Uponor AquaSAFE Multipurpose System Works" [online], Mar. 24, 2016, (Mar. 24, 2016), retrieved from the Internet on Sep. 6, 2018) <URL <https://www.uponor-usa.com/residential-fire-safety/builder/how-multipurpose-works.aspx>>; 2 pgs.  
 Beagen, Joseph; Ex Parte Quayle Action for U.S. Appl. No. 29/625,298, filed Nov. 8, 2017, dated Oct. 2, 2018, 7 pgs.  
 Beagen, Joseph; Issue Notification for Design U.S. Appl. No. 29/625,298, filed Nov. 8, 2017, dated Apr. 10, 2019, 1 pg.  
 Beagen, Joseph; Notice of Allowance for Design U.S. Appl. No. 29/625,298, filed Nov. 8, 2017, dated Dec. 7, 2018, 13 pgs.  
 Beagen, Joseph; Notice of Allowance for U.S. Appl. No. 29/625,298, filed Nov. 8, 2017, dated Jun. 3, 2019, 14 pgs.  
 Beagen, Joseph; Notice of Allowance for U.S. Appl. No. 29/680,987, filed Feb. 21, 2019, dated May 21, 2019, 14 pgs.

\* cited by examiner



**FIG. 1**

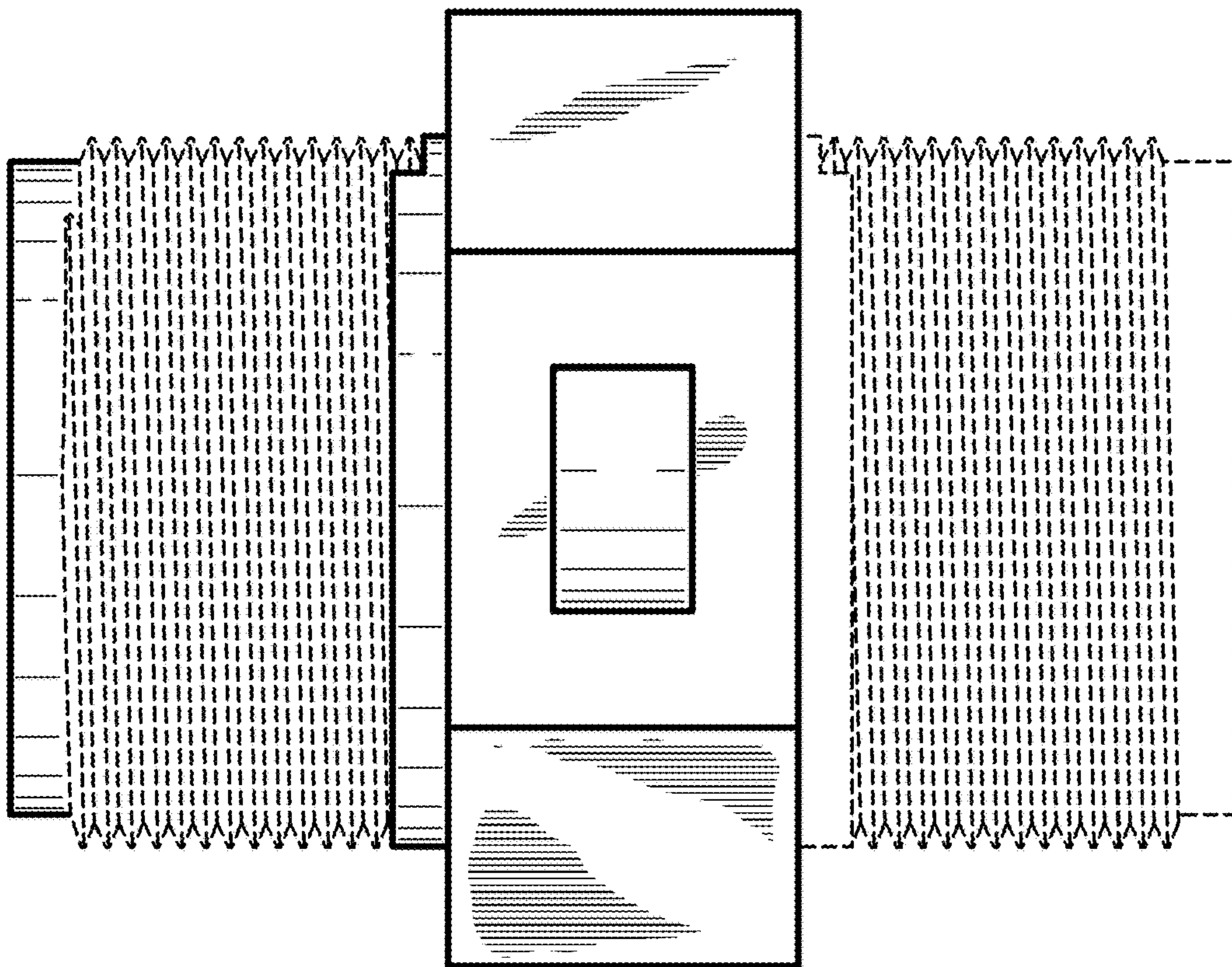


FIG. 2

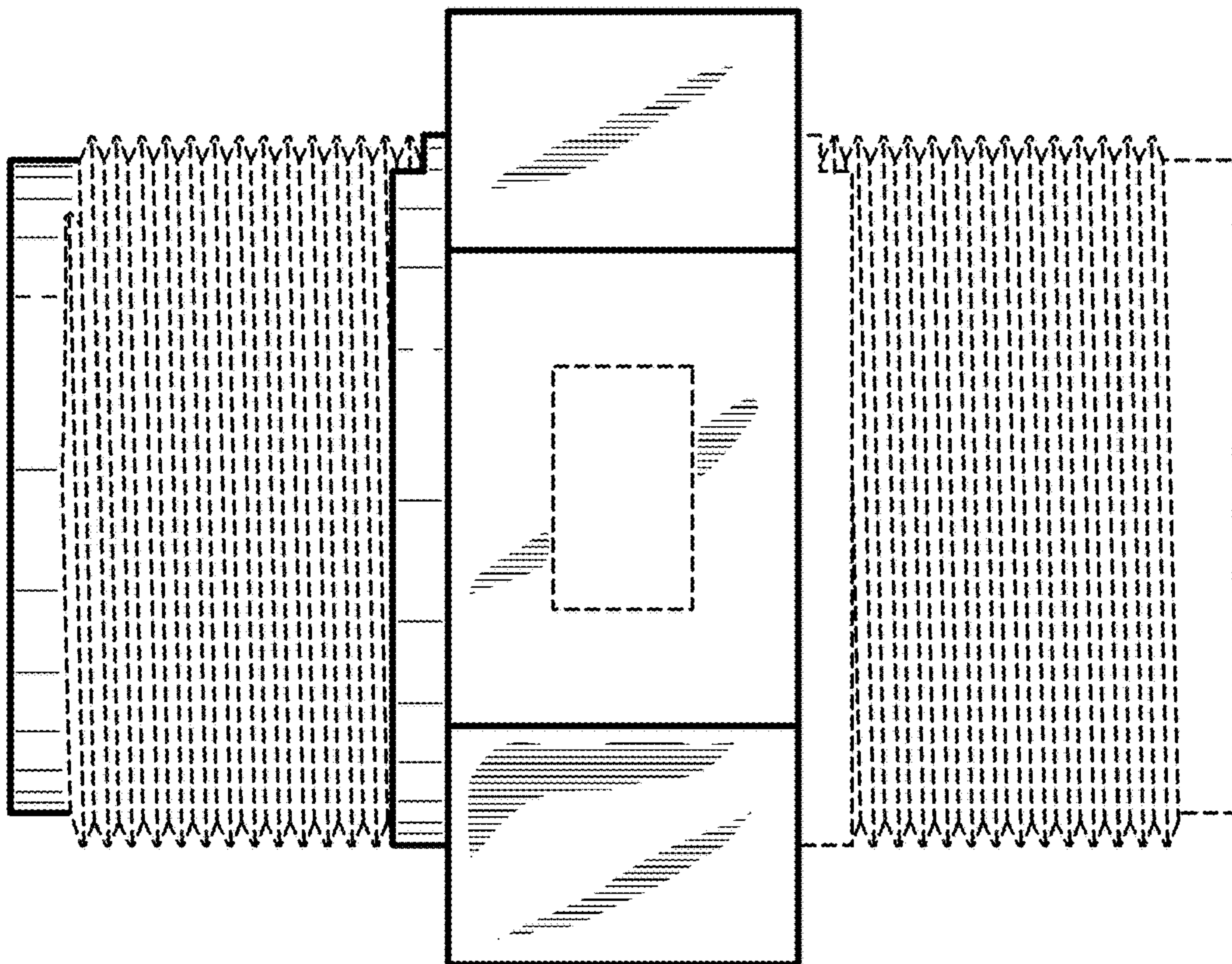


FIG. 3

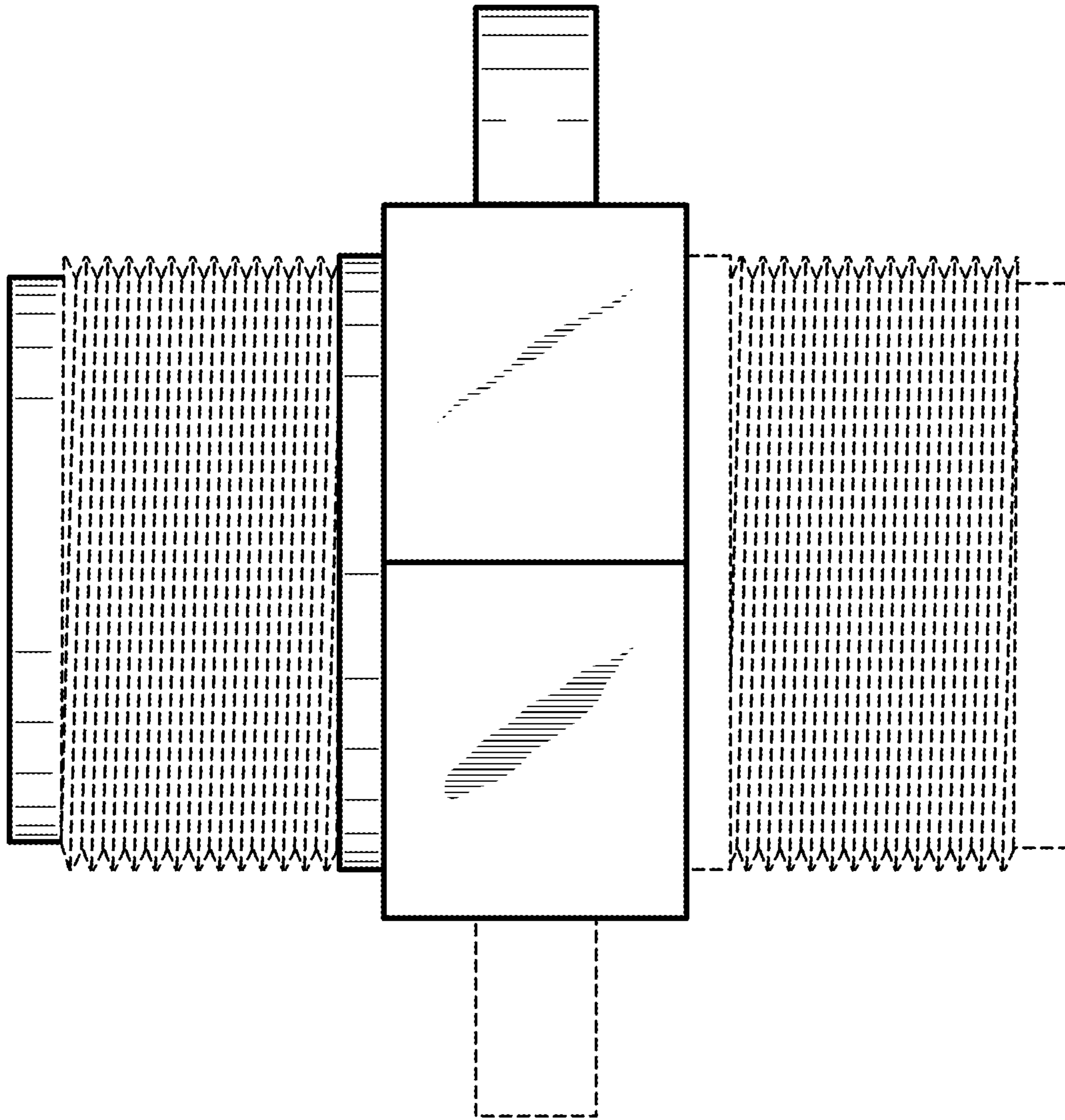
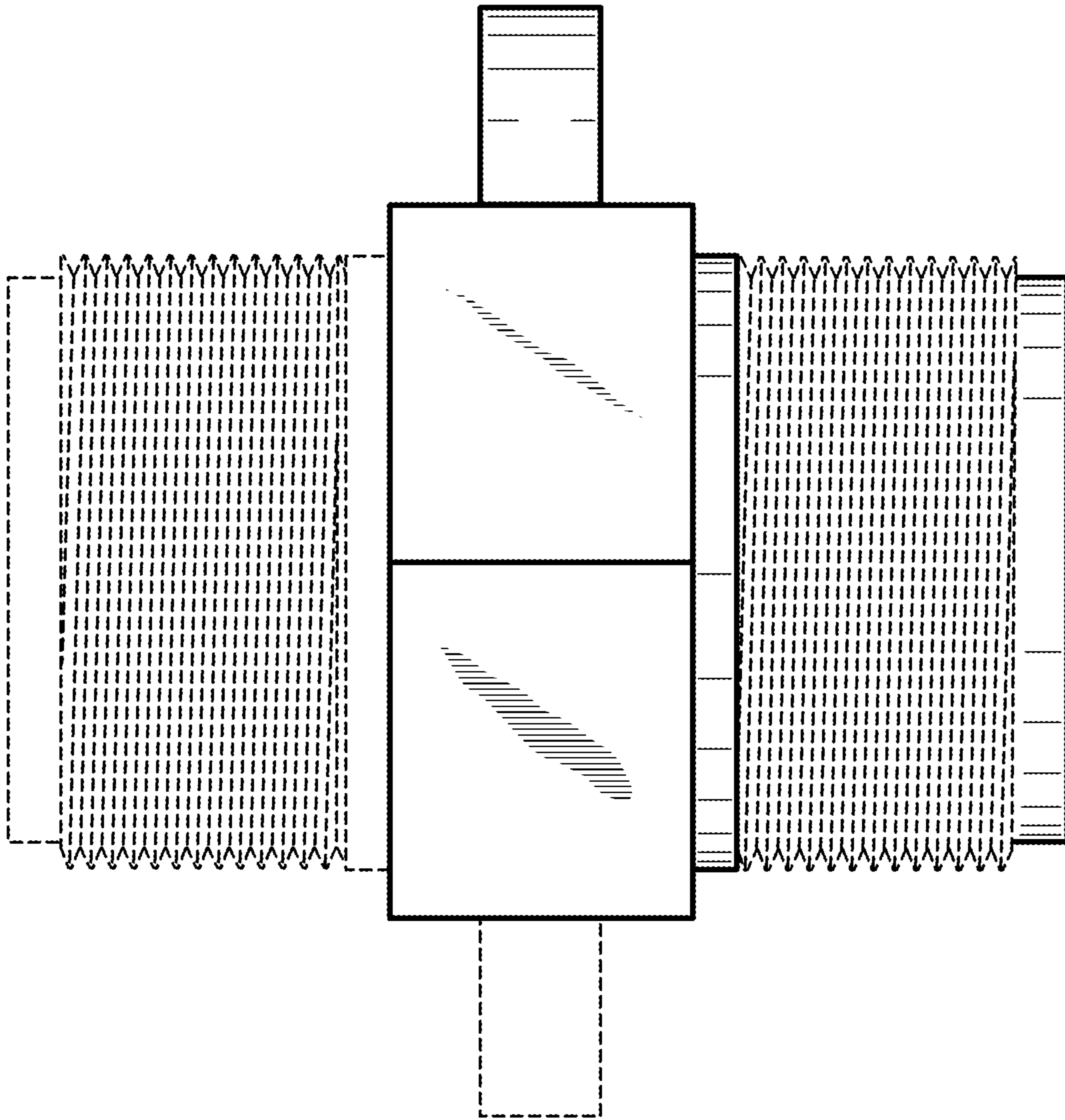
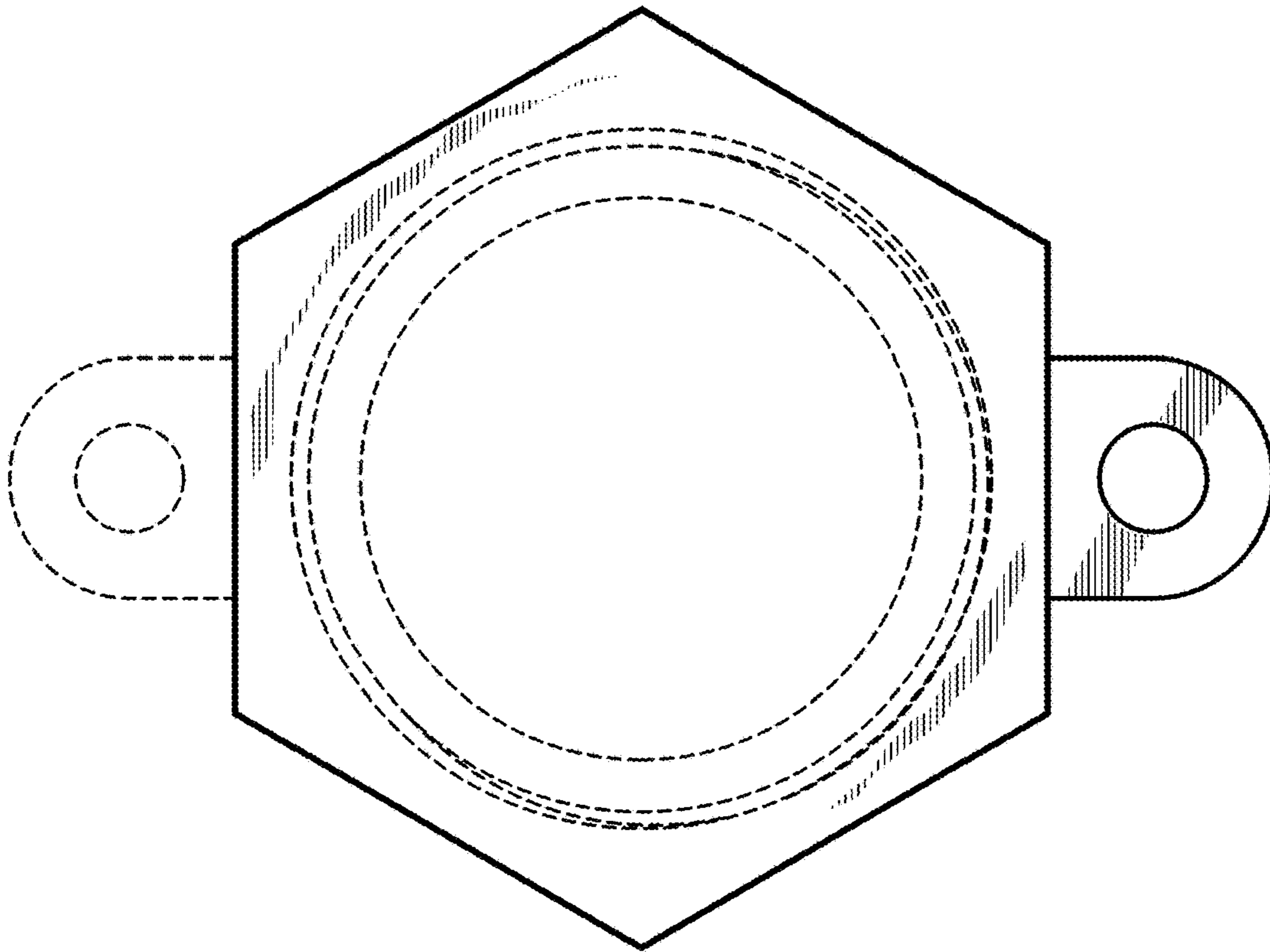


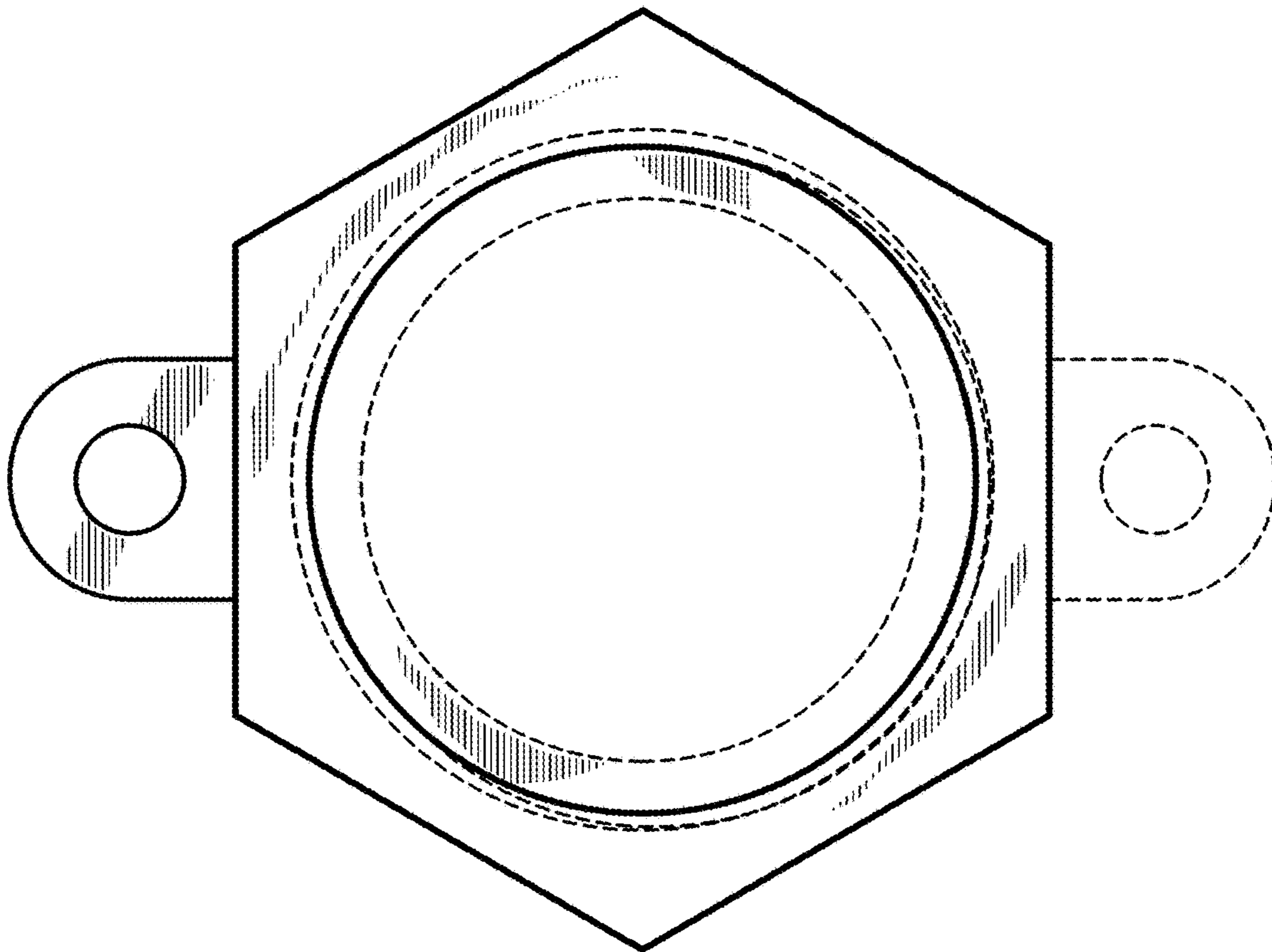
FIG. 4



**FIG. 5**



**FIG. 6**



**FIG. 7**