



US00D872557S

(12) **United States Design Patent** (10) **Patent No.:** **US D872,557 S**  
**Di Virgilio et al.** (45) **Date of Patent:** **\*\* Jan. 14, 2020**

(54) **DOOR HANDLE**

77/06; E05B 79/06; E05B 85/18; E05B 85/12; E05B 85/10; E05B 7/00; E05B 1/0053; E05B 77/265

(71) Applicant: **ASSA ABLOY ITALIA S.P.A.**, San Giovanni in Persiceto (BO) (IT)

See application file for complete search history.

(72) Inventors: **Luciana Di Virgilio**, Milan (IT); **Angelo Giovanni Veneziano**, Milan (IT)

(56) **References Cited**

U.S. PATENT DOCUMENTS

(73) Assignee: **Assa Abloy Italia S.P.A.**, San Giovanni in Persiceto (BO) (IT)

6,357,807 B1 *	3/2002	Fan	.....	E05B 63/16
				292/226
D549,545 S *	8/2007	Schneider	.....	D8/308
D593,840 S *	6/2009	Roberts, III	.....	D8/308
D787,912 S *	5/2017	Wang	.....	D8/308
D806,508 S *	1/2018	Weise	.....	D8/308
D811,193 S *	2/2018	Hsu	.....	D8/308
D813,007 S *	3/2018	Schneider	.....	D8/308
D824,235 S *	7/2018	Schneider	.....	D8/308
D828,138 S *	9/2018	Shargh	.....	D8/308
D828,741 S *	9/2018	Shargh	.....	D8/308
D840,783 S *	2/2019	Tseng	.....	D8/308

(\*\*) Term: **15 Years**

(21) Appl. No.: **29/653,466**

(22) Filed: **Jun. 15, 2018**

(30) **Foreign Application Priority Data**

Dec. 18, 2017 (EM) ..... 004555043-0001

(51) **LOC (12) Cl.** ..... **08-06**

(52) **U.S. Cl.**  
USPC ..... **D8/308**

(58) **Field of Classification Search**  
USPC ..... D8/300-302, 307-309; D23/250, 252; D7/393

CPC ..... Y10T 16/44; Y10T 74/20612; Y10T 74/20732; Y10T 16/458; Y10T 16/498; Y10T 16/469; Y10T 16/476; Y10T 74/20744; Y10T 74/20864; Y10T 16/4628; Y10T 74/20642; Y10T 16/473; Y10T 74/20762; Y10T 74/2042; Y10T 74/20828; Y10T 16/459; Y10T 16/4713; Y10T 74/2014; Y10T 16/50; Y10T 74/20438; Y10T 74/20582; Y10T 74/20738; Y10T 16/48; Y10T 74/20618; Y10T 74/20684; Y10T 74/20624; Y10T 74/20468; Y10T 16/61; Y10T 16/4719; Y10T 16/86; Y10S 16/30; Y10S 292/31; Y10S 292/53; Y10S 16/12; Y10S 292/23; Y10S 292/27; Y10S 292/30; Y10S 292/63; E05B 85/16; E05B 1/0015; E05B

\* cited by examiner

*Primary Examiner* — Lauren R Calve

(74) *Attorney, Agent, or Firm* — King & Schickli, PLLC

(57) **CLAIM**

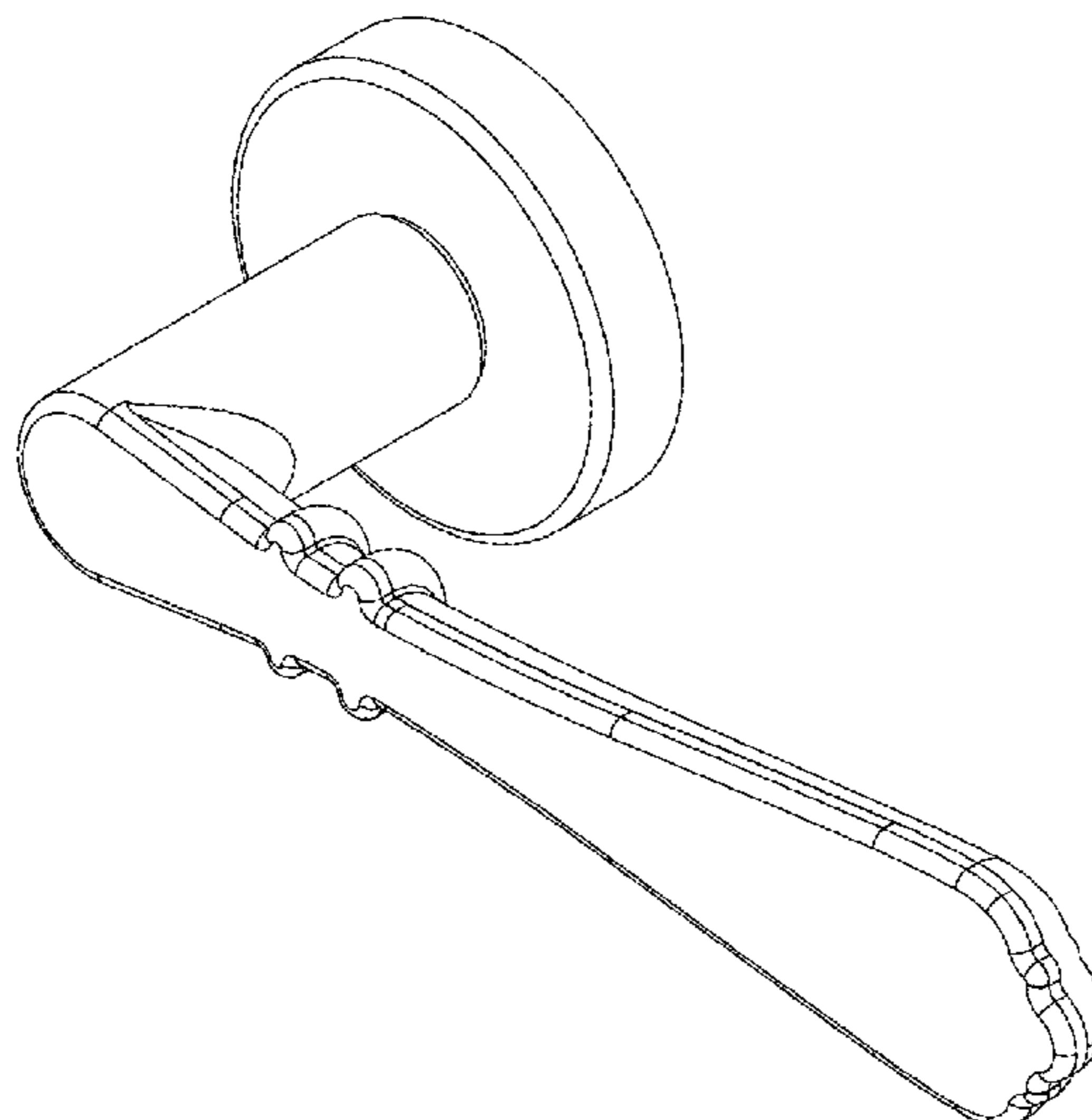
The ornamental design for a door handle, as shown and described.

**DESCRIPTION**

FIG. 1 is a right side perspective view of a door handle showing our new design;  
FIG. 2 is a left side perspective view thereof;  
FIG. 3 is a bottom view thereof;  
FIG. 4 is a right side view thereof;  
FIG. 5 is a front view thereof;  
FIG. 6 is a left side view thereof;  
FIG. 7 is top view thereof; and,  
FIG. 8 is a rear view thereof.

The broken lines shown represent subject matter that forms no part of the claimed design.

**1 Claim, 8 Drawing Sheets**



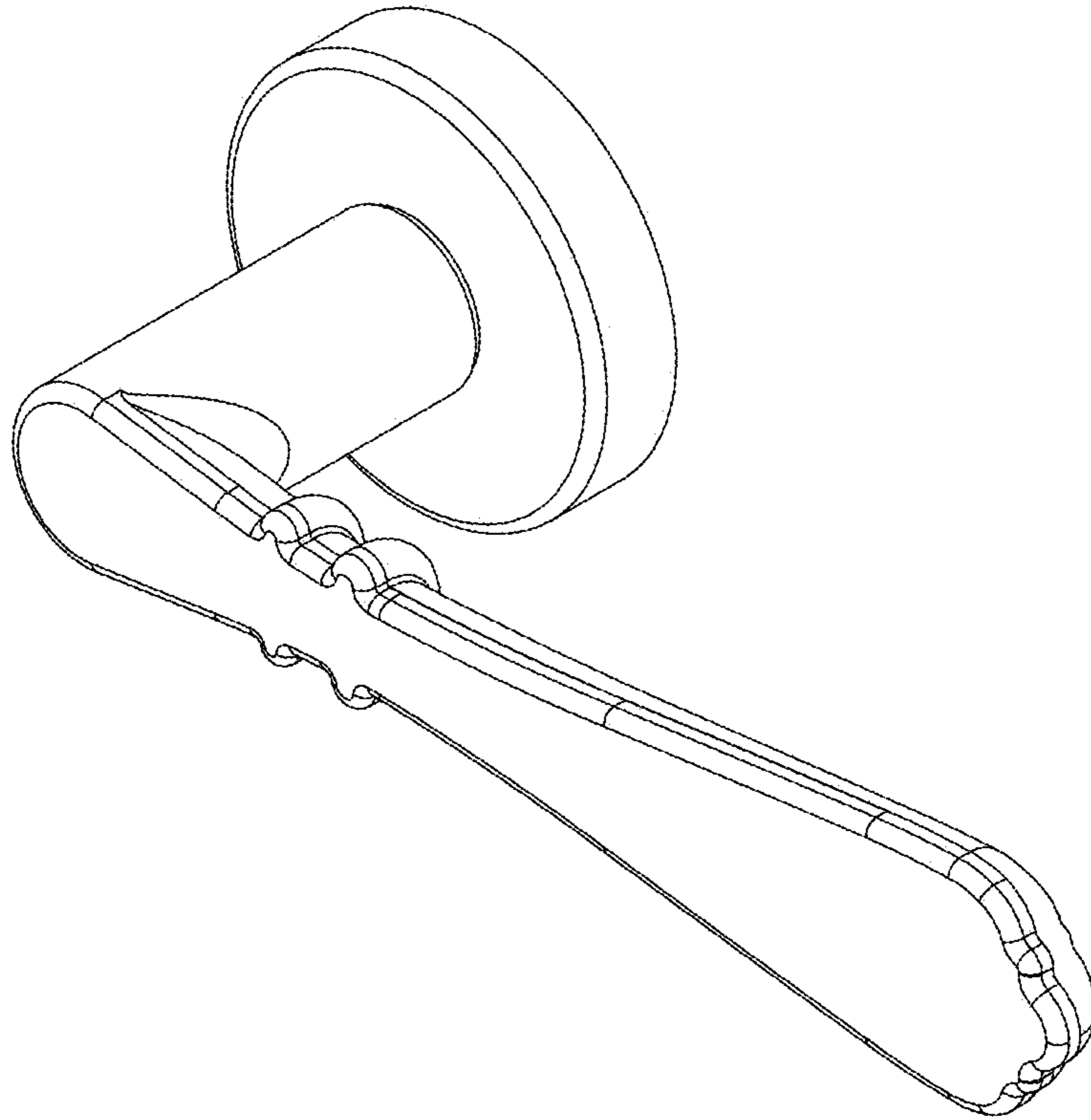


FIG. 1

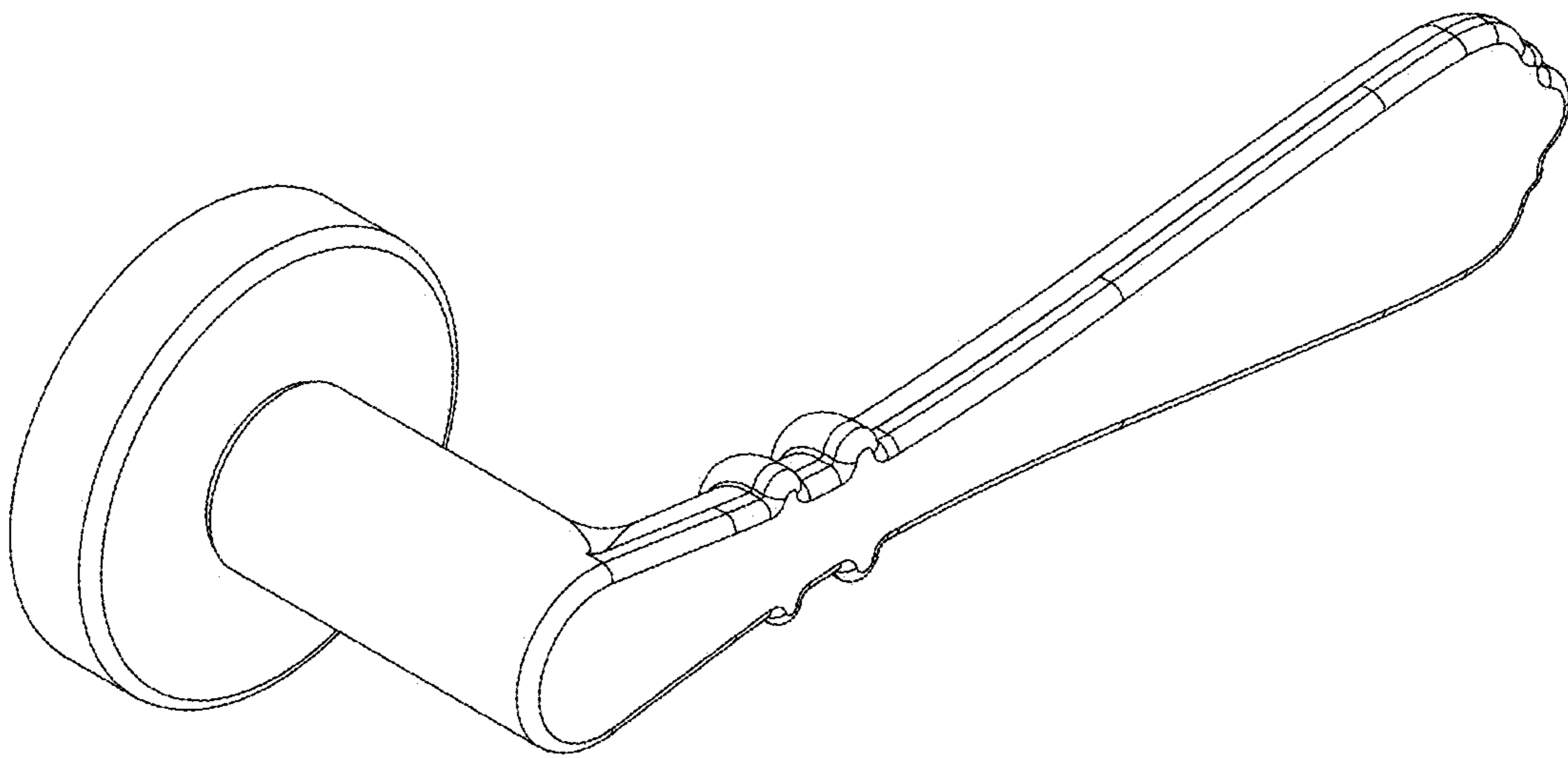


FIG. 2

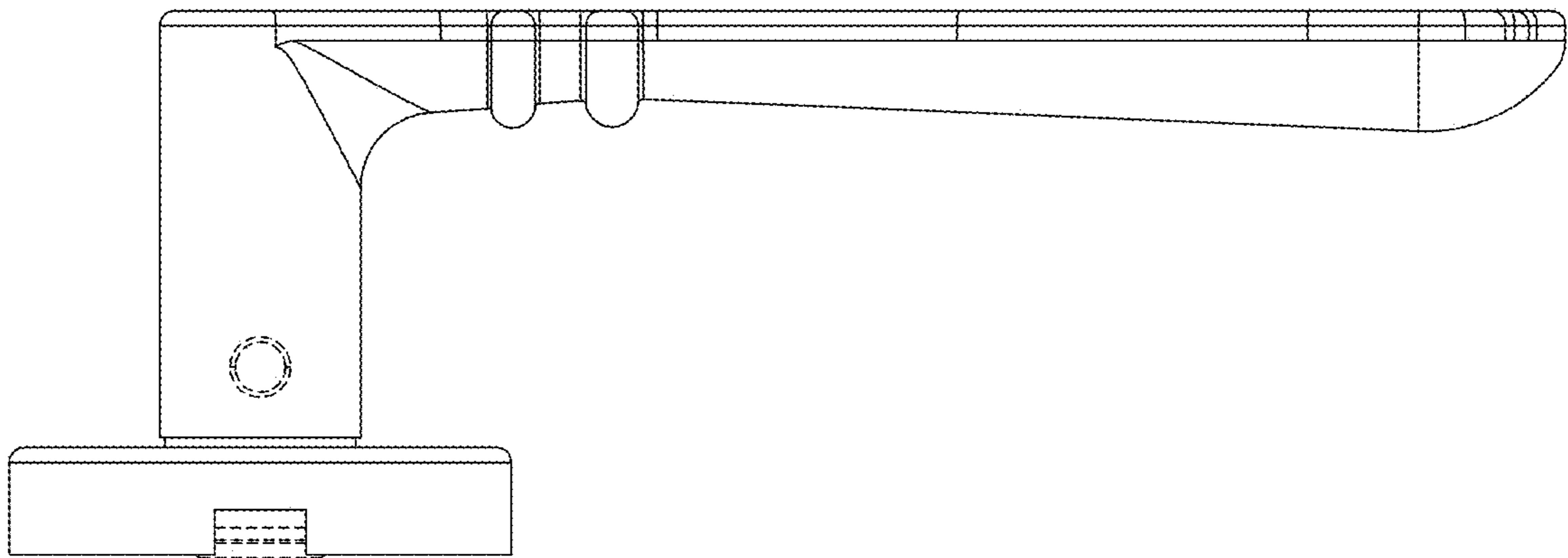


FIG. 3

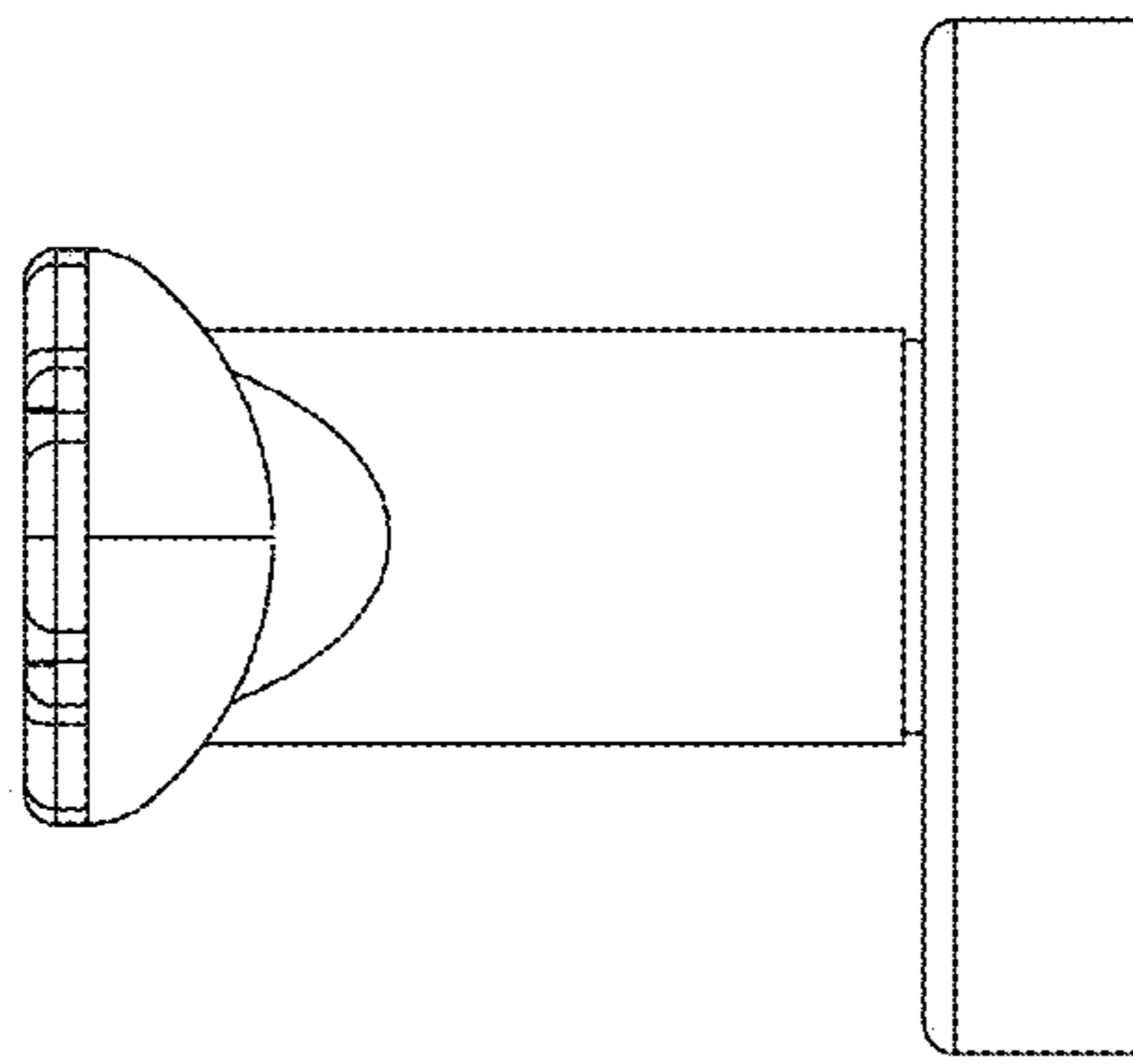


FIG. 4

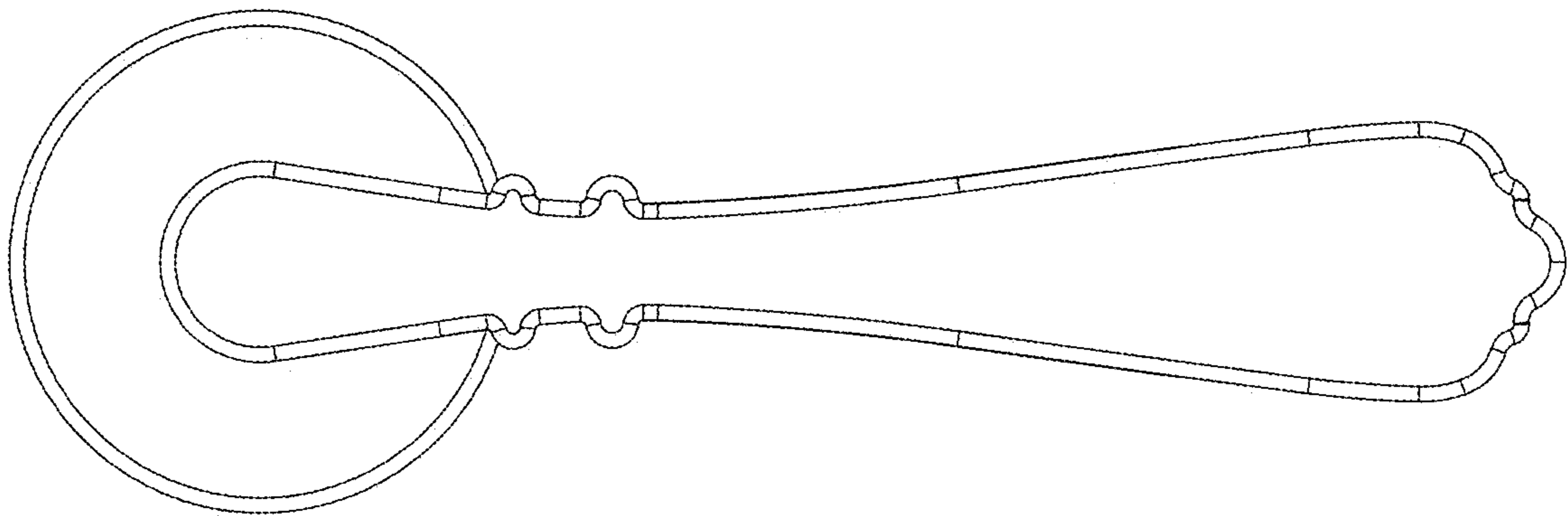


FIG. 5

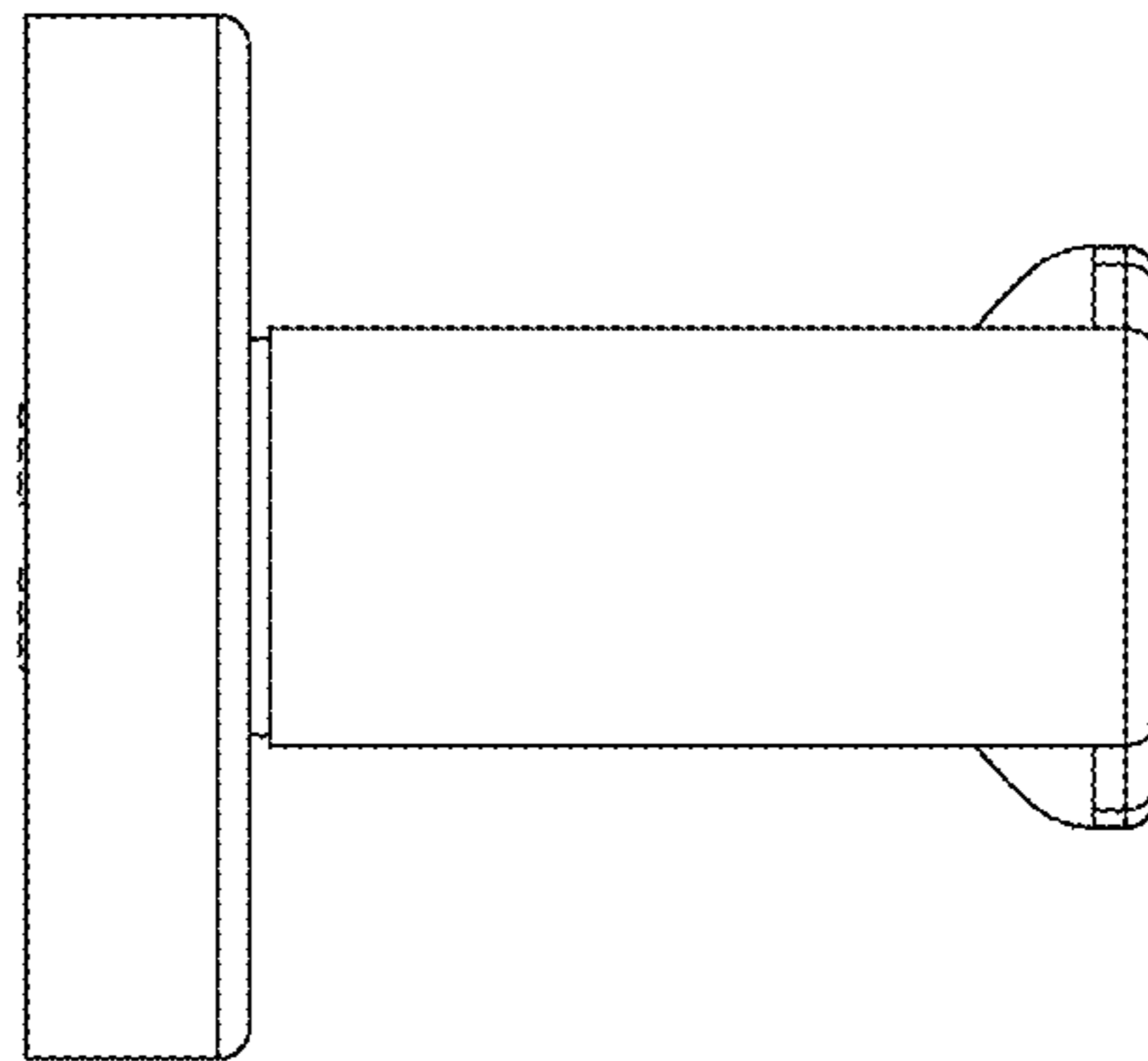


FIG. 6

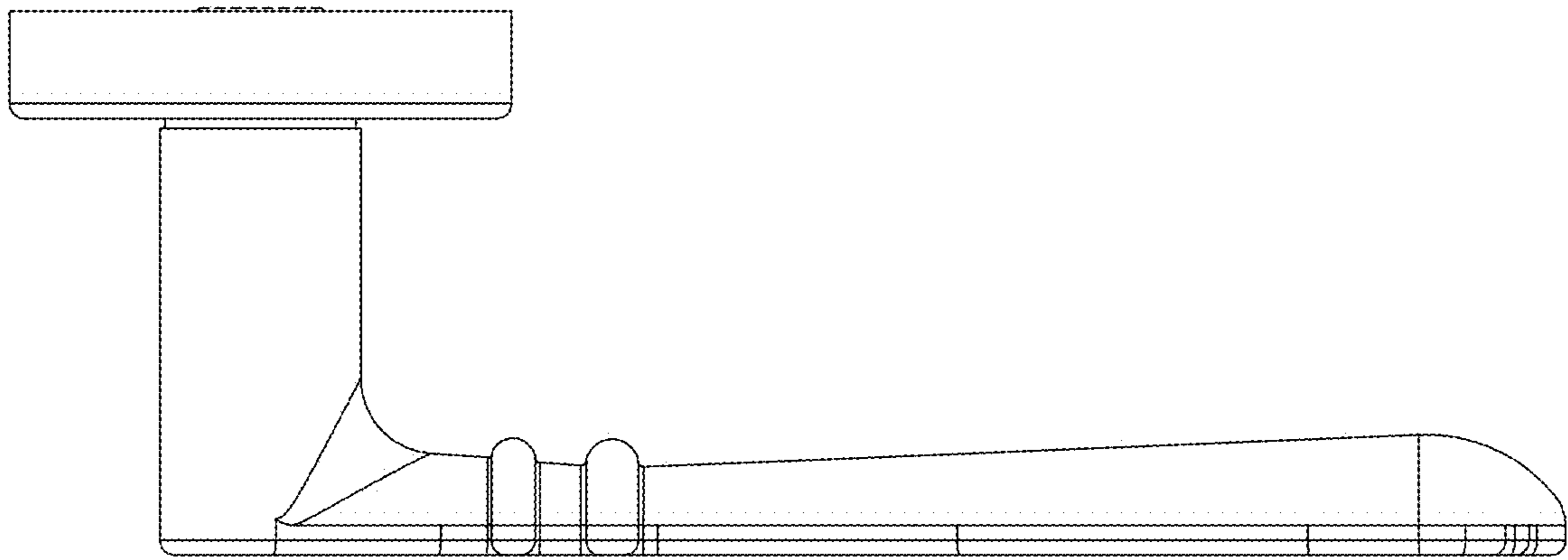


FIG. 7



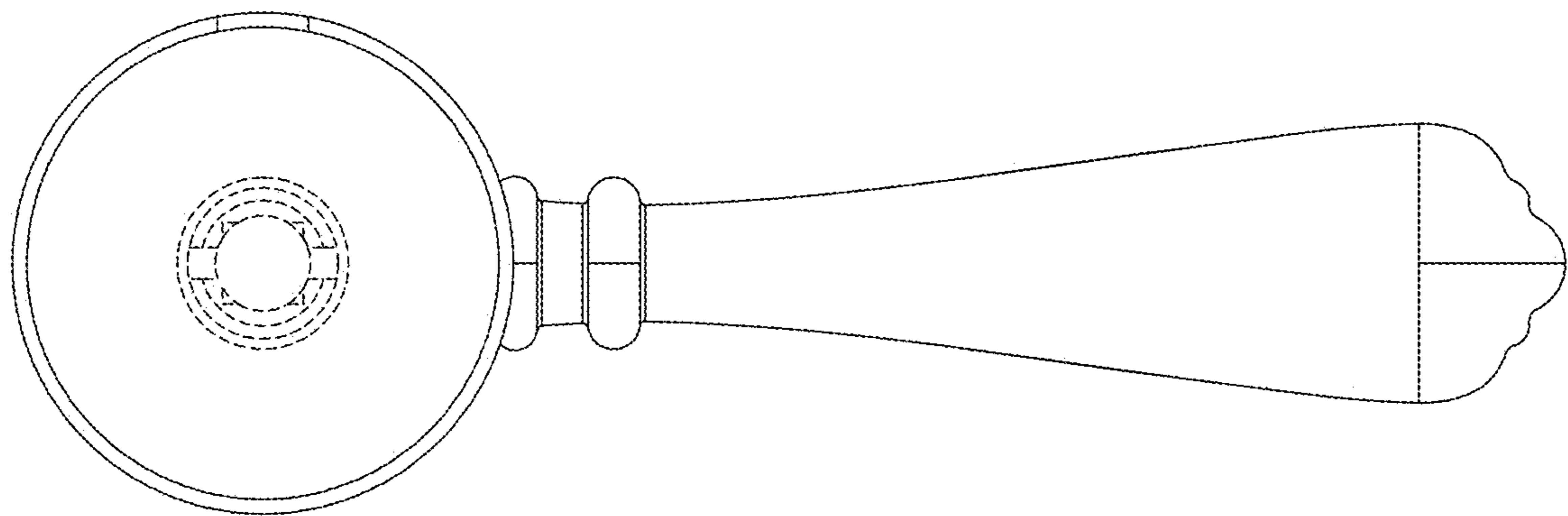


FIG. 8