



US00D872556S

(12) **United States Design Patent**
Deville

(10) **Patent No.:** **US D872,556 S**

(45) **Date of Patent:** **** Jan. 14, 2020**

(54) **ADAPTOR FOR SAW**

(71) Applicant: **DEVILLE S.A.**, Bauge-en-Anjou (FR)

(72) Inventor: **Antoine Devillé**, Le Viel-Baugé (FR)

(73) Assignee: **Deville S.A.**, Bauge (FR)

(**) Term: **15 Years**

(21) Appl. No.: **29/638,101**

(22) Filed: **Feb. 23, 2018**

(30) **Foreign Application Priority Data**

Oct. 9, 2017 (EM) 004391886

(51) **LOC (12) Cl.** **08-03**

(52) **U.S. Cl.**
USPC **D8/95**

(58) **Field of Classification Search**
USPC D8/7, 9, 14, 95, 96, 97, 98
CPC A01G 3/00; A01G 3/025; A01G 3/0255;
A01G 3/08; B27B 21/00; B27B 21/02;
B27B 21/04
See application file for complete search history.

(56) **References Cited**

U.S. PATENT DOCUMENTS

- 2,286,418 A * 6/1942 Hoyt A01G 3/0255
30/123
- 4,934,034 A * 6/1990 Fukuda B23D 51/10
30/523
- 5,168,693 A * 12/1992 Ingvarlsen B25G 3/18
403/289
- 5,443,276 A * 8/1995 Nasser B23D 51/10
279/77
- D400,421 S * 11/1998 Okada D8/97
- D403,225 S * 12/1998 Okada D8/97
- 5,937,527 A * 8/1999 Okada B23D 51/10
30/332
- D526,171 S * 8/2006 Farley D8/9
- D527,975 S * 9/2006 Okada D8/97

- D530,164 S * 10/2006 Farley D8/9
- D531,467 S * 11/2006 Farley D8/9
- D546,143 S * 7/2007 Lipscomb D8/9
- D554,451 S * 11/2007 Lin D8/9
- D732,890 S * 6/2015 Connors D7/397
- 9,532,510 B2 * 1/2017 Pringnitz B27B 21/04
- 10,091,948 B2 * 10/2018 Pringnitz A01G 3/083

FOREIGN PATENT DOCUMENTS

FR 20173256 2/2018

OTHER PUBLICATIONS

U.S. Appl. No. 29/633,301, filed Jan. 12, 2018; Inventor: Antoine Devillé; Applicant: DEVILLE S.A.

* cited by examiner

Primary Examiner — Philip S Hyder

(74) *Attorney, Agent, or Firm* — Fross Zelnick Lehrman & Zissu, P.C.; Charles T.J. Weigell, Esq.

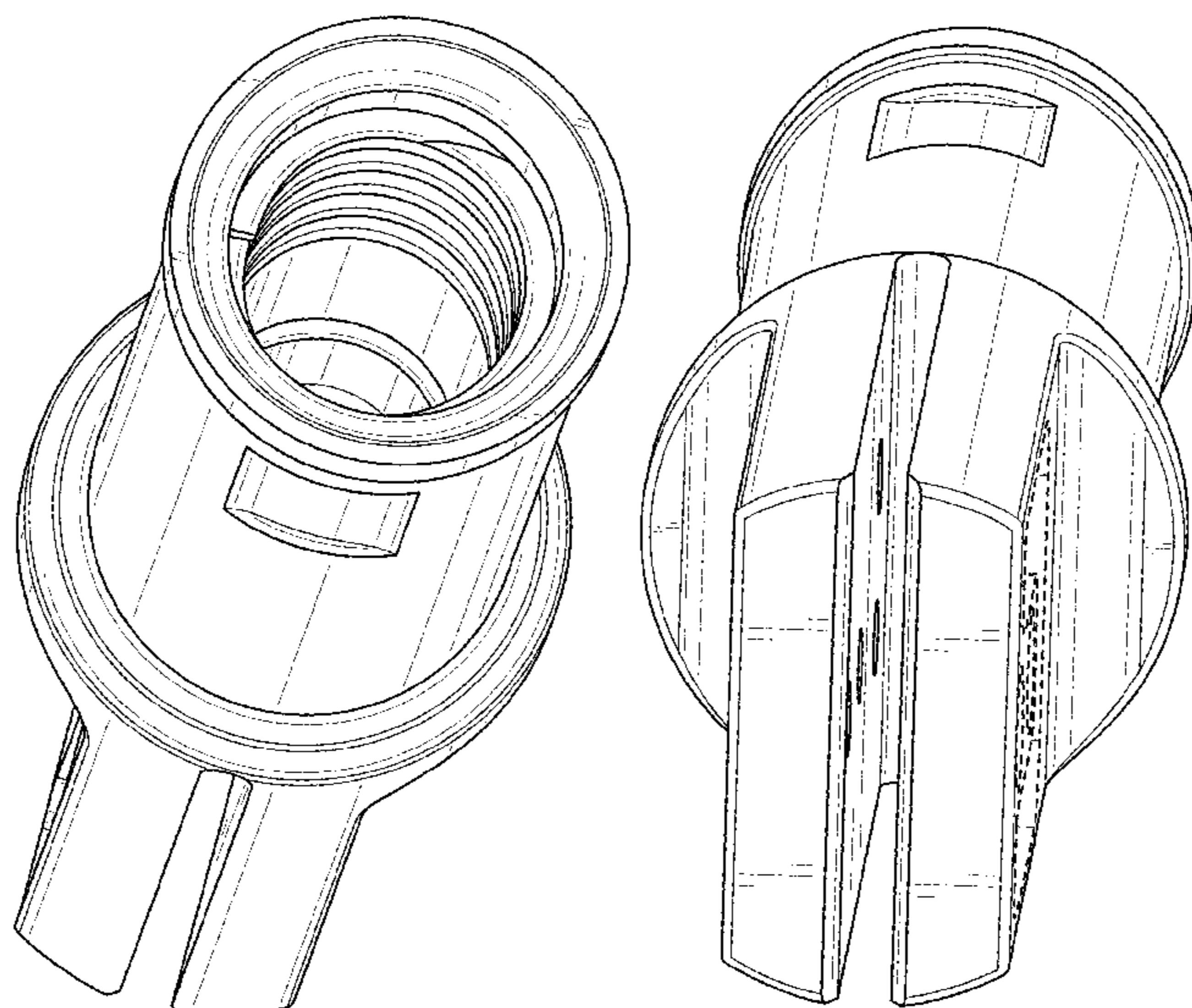
(57) **CLAIM**

The ornamental design for an adaptor for saw, as shown and described.

DESCRIPTION

FIG. 1 is a top plan view of an adaptor for saw showing my new design;
 FIG. 2 is a bottom plan view thereof;
 FIG. 3 is a left side elevational view thereof (with the right side being a mirror image);
 FIG. 4 is a rear, left side perspective view thereof;
 FIG. 5 is a front, left side perspective view thereof;
 FIG. 6 is an additional rear, left side perspective view thereof;
 FIG. 7 is a rear elevational view thereof; and,
 FIG. 8 is a front elevational view thereof.
 The broken lines depict portions of the adaptor for a saw that are not part of the claimed design.

1 Claim, 8 Drawing Sheets



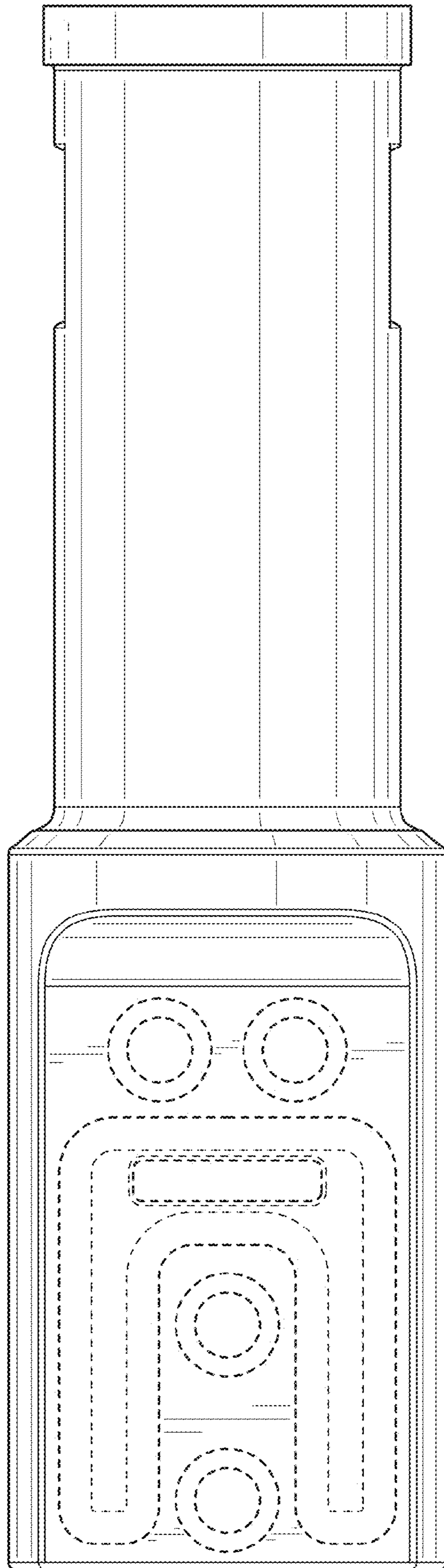


FIG. 1

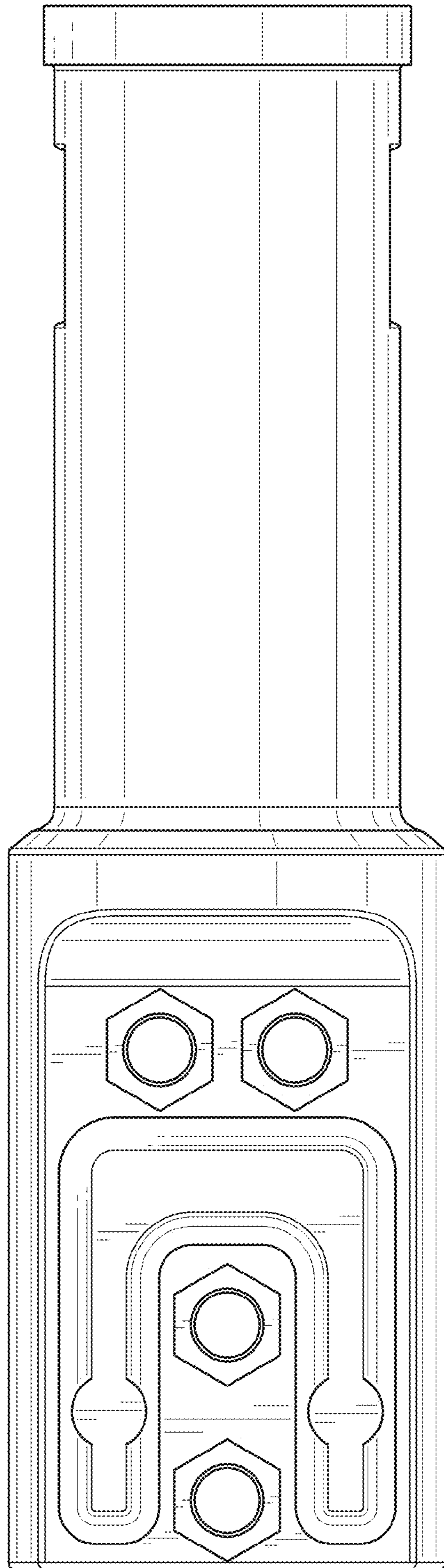


FIG. 2

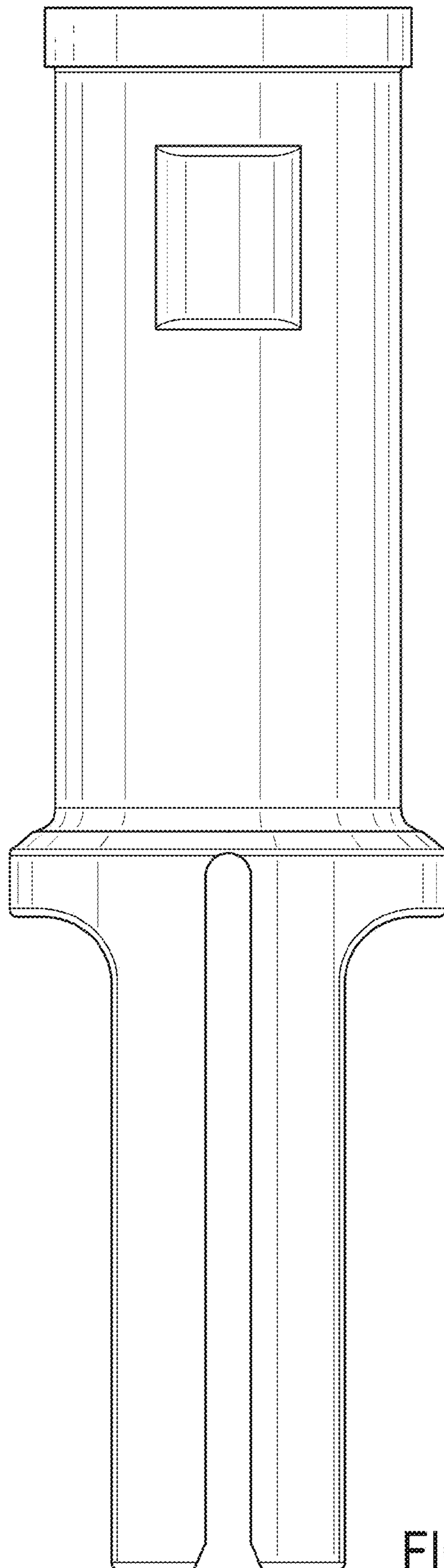


FIG. 3

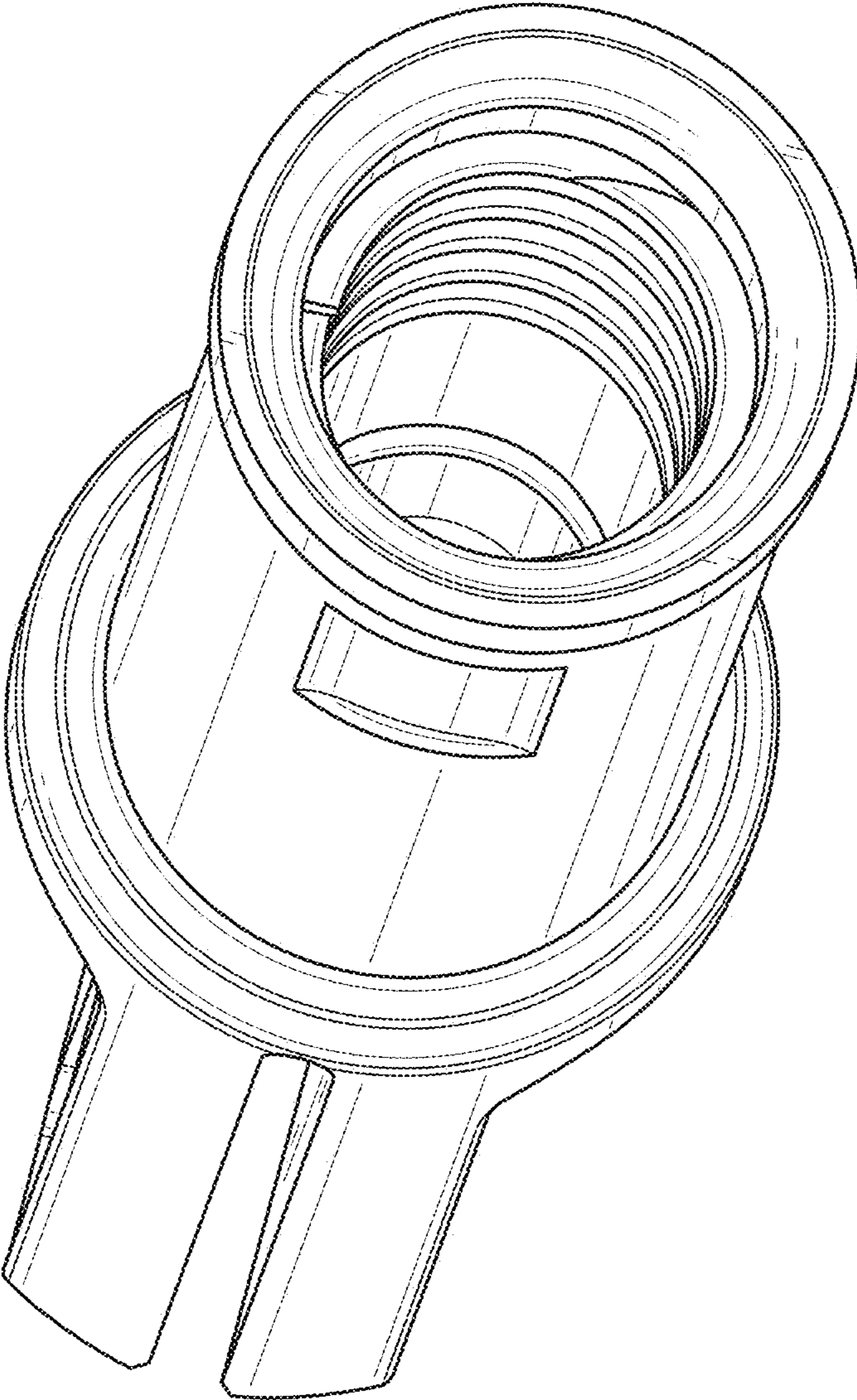


FIG. 4

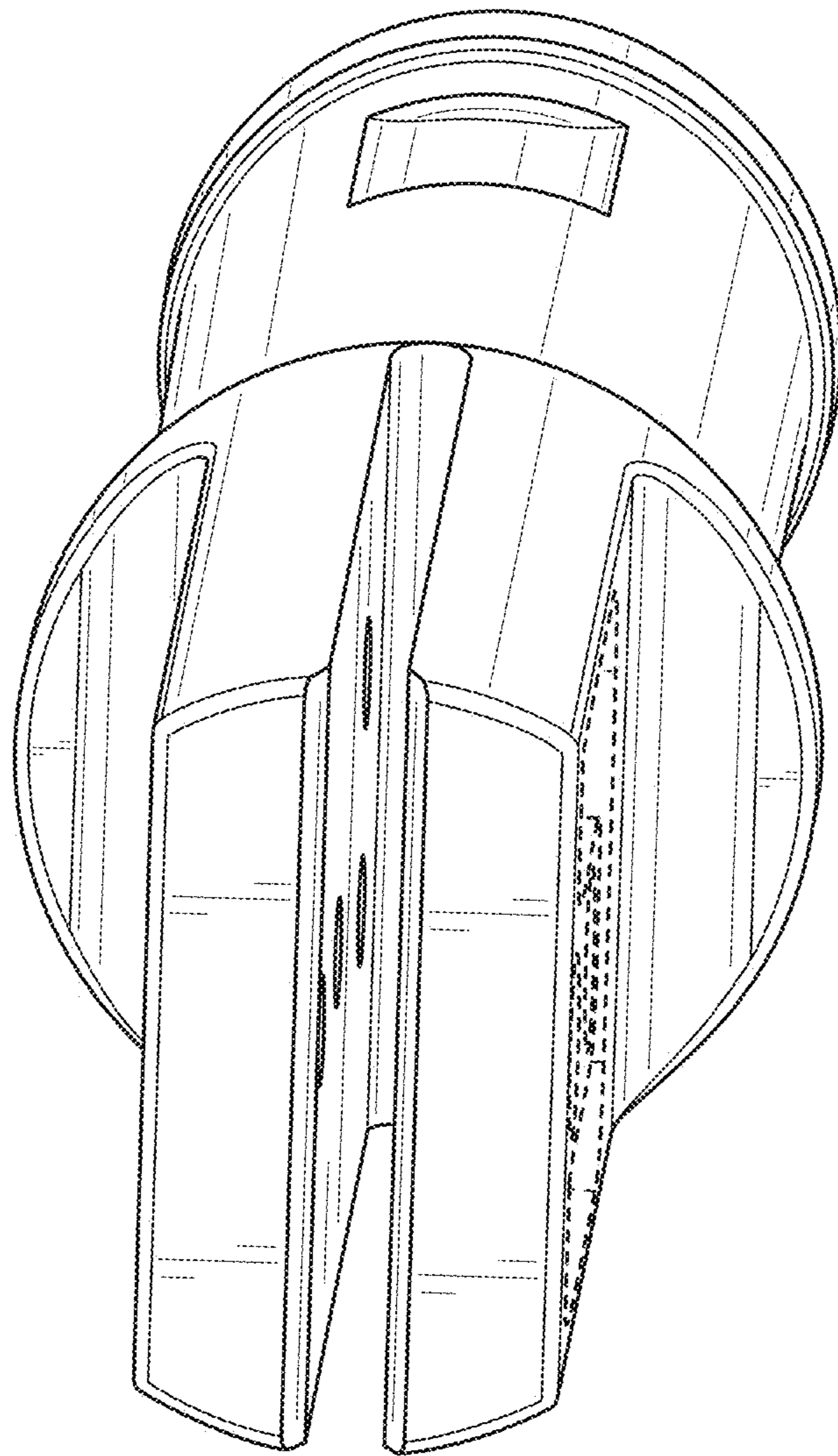


FIG. 5

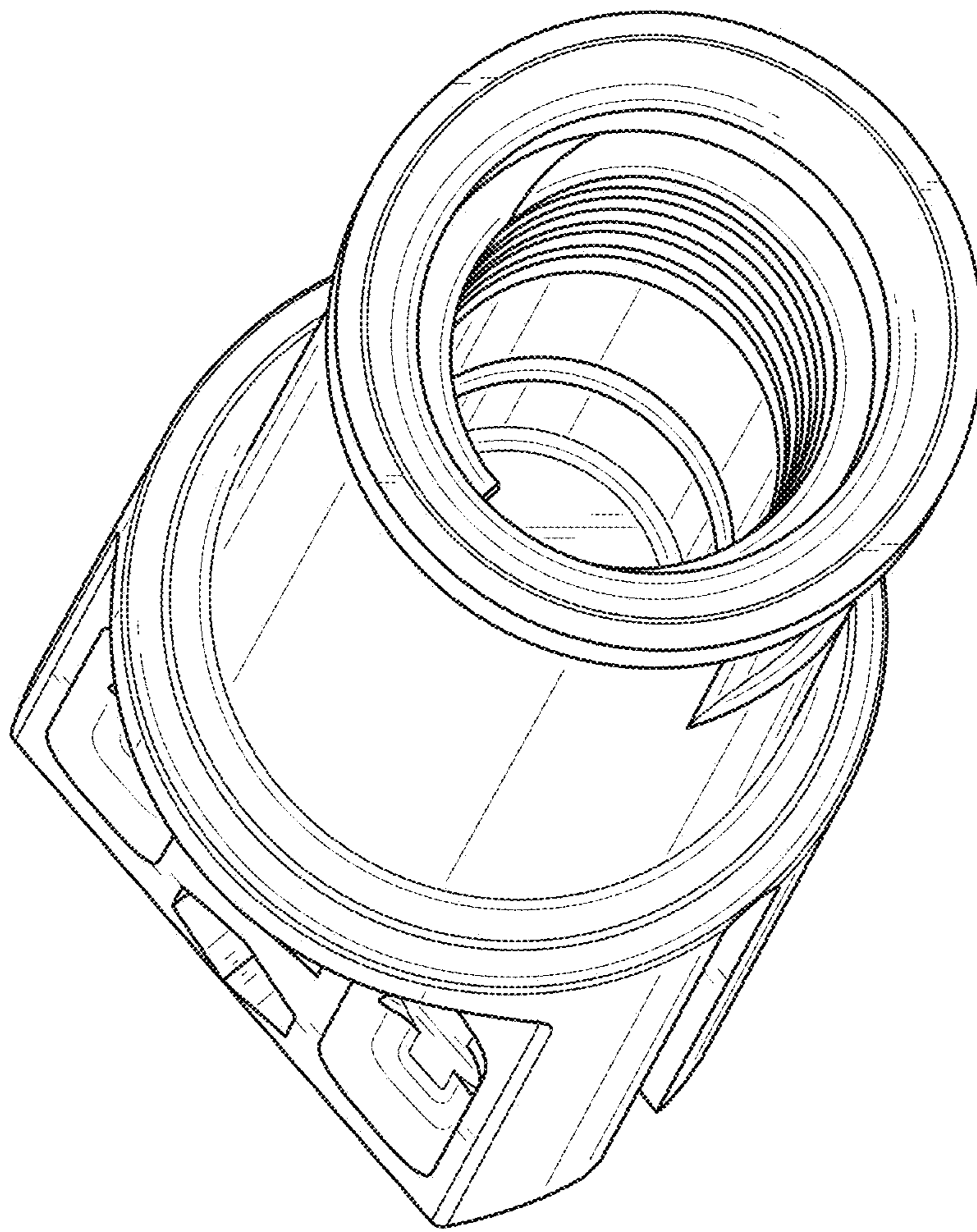


FIG. 6

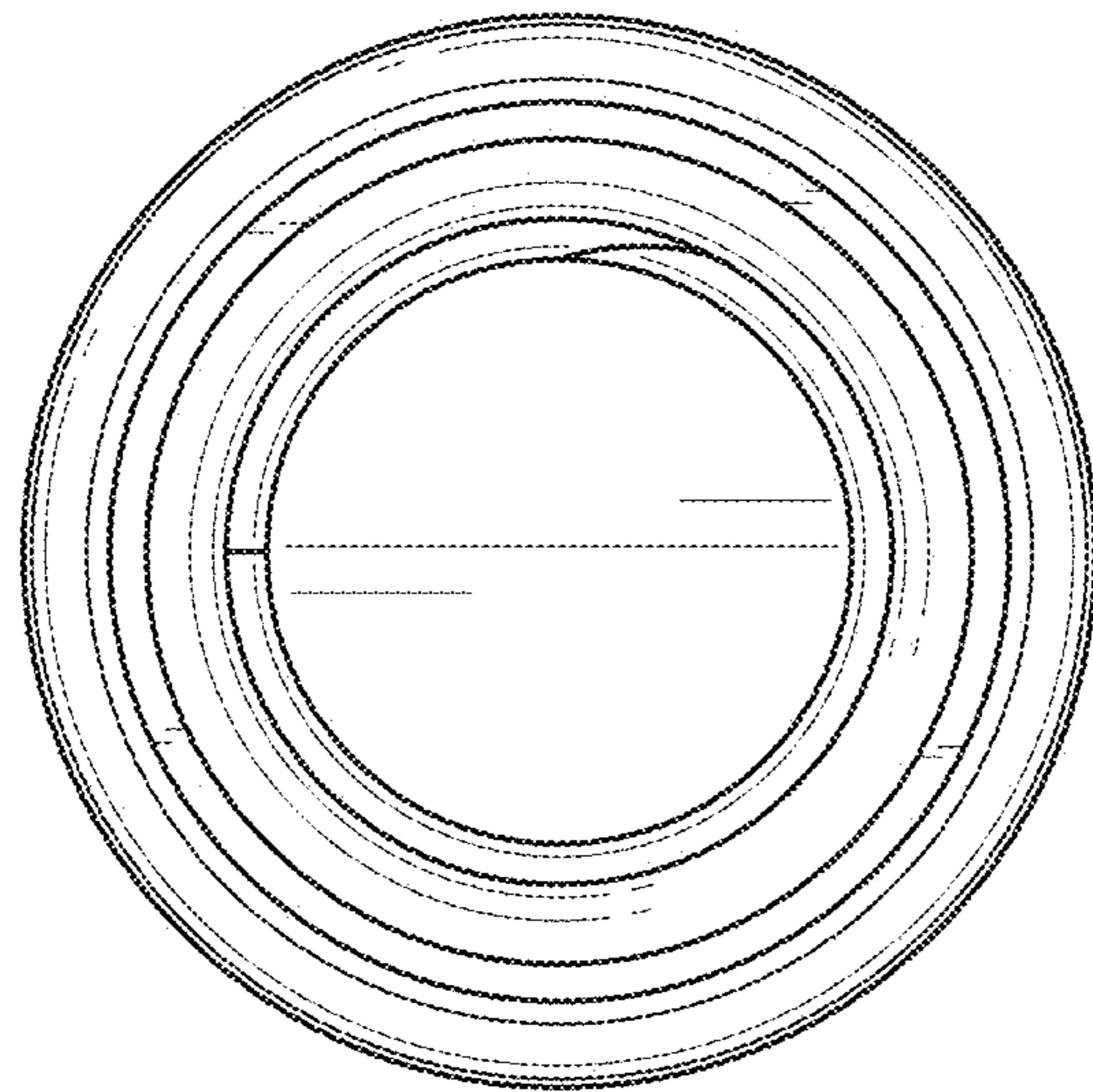


FIG. 7

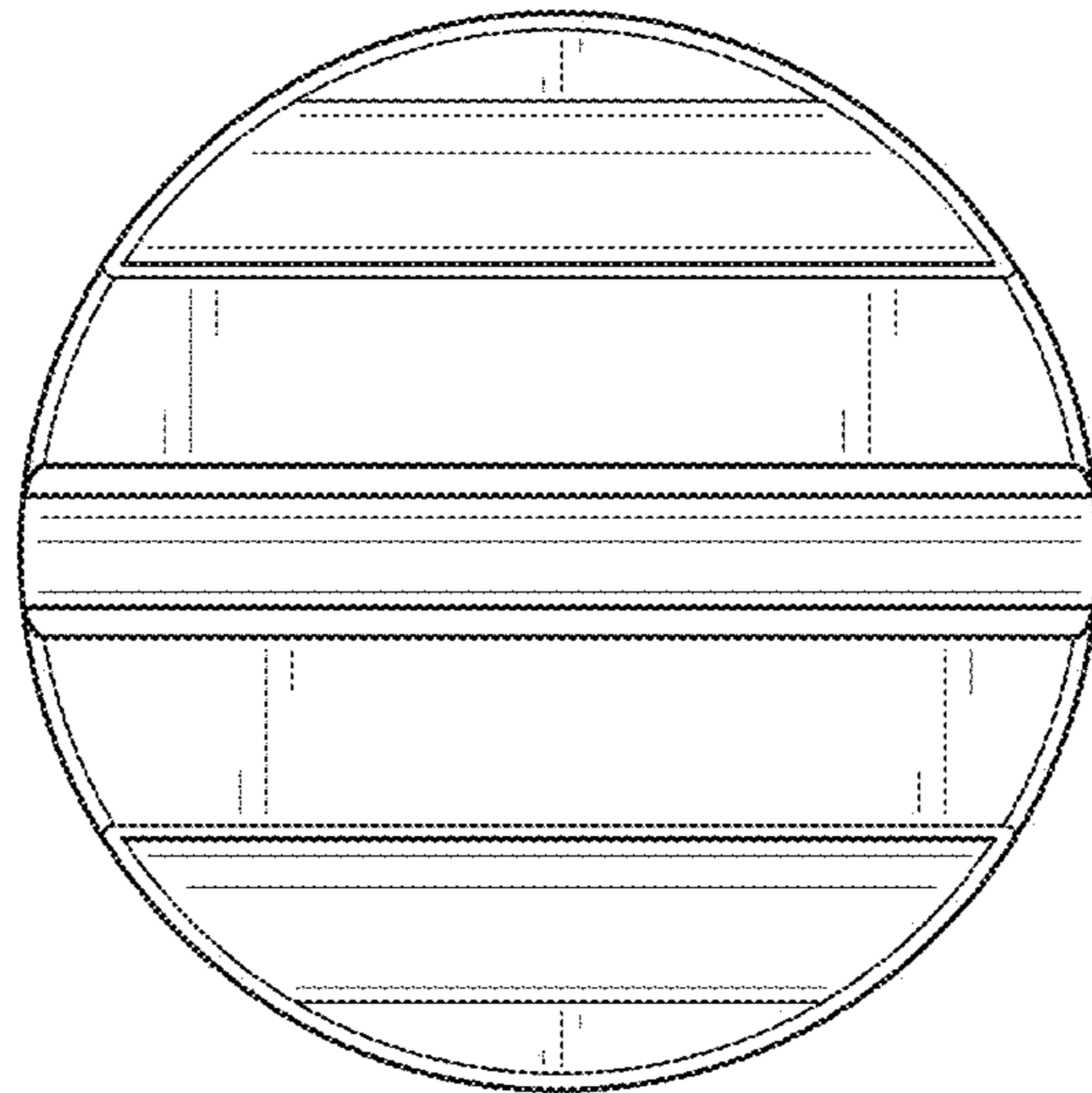


FIG. 8