



US00D872552S

(12) **United States Design Patent**
Gu et al.

(10) **Patent No.:** **US D872,552 S**
(45) **Date of Patent:** **** Jan. 14, 2020**

(54) **DRILL**
(71) Applicant: **BLACK & DECKER INC.**, New Britain, CT (US)
(72) Inventors: **Cheng Gang Gu**, Jiang Su (CN); **Qian Wei**, Jiang Su (CN)
(73) Assignee: **Black & Decker Inc.**, New Britain, CT (US)
(**) Term: **15 Years**

D337,711 S * 7/1993 Ogawa D8/68
D339,727 S * 9/1993 Kikuchi D8/68
D342,878 S * 1/1994 Watanabe D8/68
D384,261 S * 9/1997 Hayakawa D8/68
D396,621 S * 8/1998 Zurwelle D8/68
D400,416 S * 11/1998 Zurwelle D8/68
D402,872 S * 12/1998 Clowers D8/68
D406,740 S * 3/1999 Zurwelle D8/68
D406,742 S * 3/1999 Schoen D8/68
D426,125 S * 6/2000 Hayakawa D8/61
D439,123 S * 3/2001 Sakai D8/68
D441,268 S * 5/2001 Heun D8/68
D452,639 S * 1/2002 Zurwelle D8/68
D466,386 S * 12/2002 Zurwelle D8/68
D470,028 S * 2/2003 Cooper D8/68

(Continued)

(21) Appl. No.: **29/654,563**

(22) Filed: **Jun. 26, 2018**

(30) **Foreign Application Priority Data**

Apr. 20, 2018 (CN) 2018 3 0166373

(51) **LOC (12) Cl.** **08-05**

(52) **U.S. Cl.**
USPC **D8/68**

(58) **Field of Classification Search**
USPC D8/61, 67, 68
CPC B62D 23/005; B62D 29/00; B62D 29/043;
B62D 31/00; B62D 33/046; B62D 35/00;
B62D 35/001; B60Q 1/0005
See application file for complete search history.

(56) **References Cited**

U.S. PATENT DOCUMENTS

D279,862 S * 7/1985 Sato D8/61
D280,797 S * 10/1985 Sakamoto D8/61
D280,883 S * 10/1985 Sakamoto D8/61
D300,717 S * 4/1989 Hasegawa D8/68
D314,698 S * 2/1991 Zurwelle D8/68
D316,021 S * 4/1991 Bunyea D8/68
D319,763 S * 9/1991 Reiferscheid D8/68
D330,152 S * 10/1992 Ogawa D8/68
D332,208 S * 1/1993 Sakamoto D8/68

OTHER PUBLICATIONS

Pictures of prior art of Porter Cable PCE141 1/2inch Single-Speed Hammer Drill—<https://www.portercable.com/products/power-tools/drills-and-drivers/hammer-drills/-in-csr-singlespeed-hammer-drill/pce141>; accessed on Aug. 27, 2018.

Primary Examiner — Darlington Ly

(74) *Attorney, Agent, or Firm* — Stephen R. Valancius

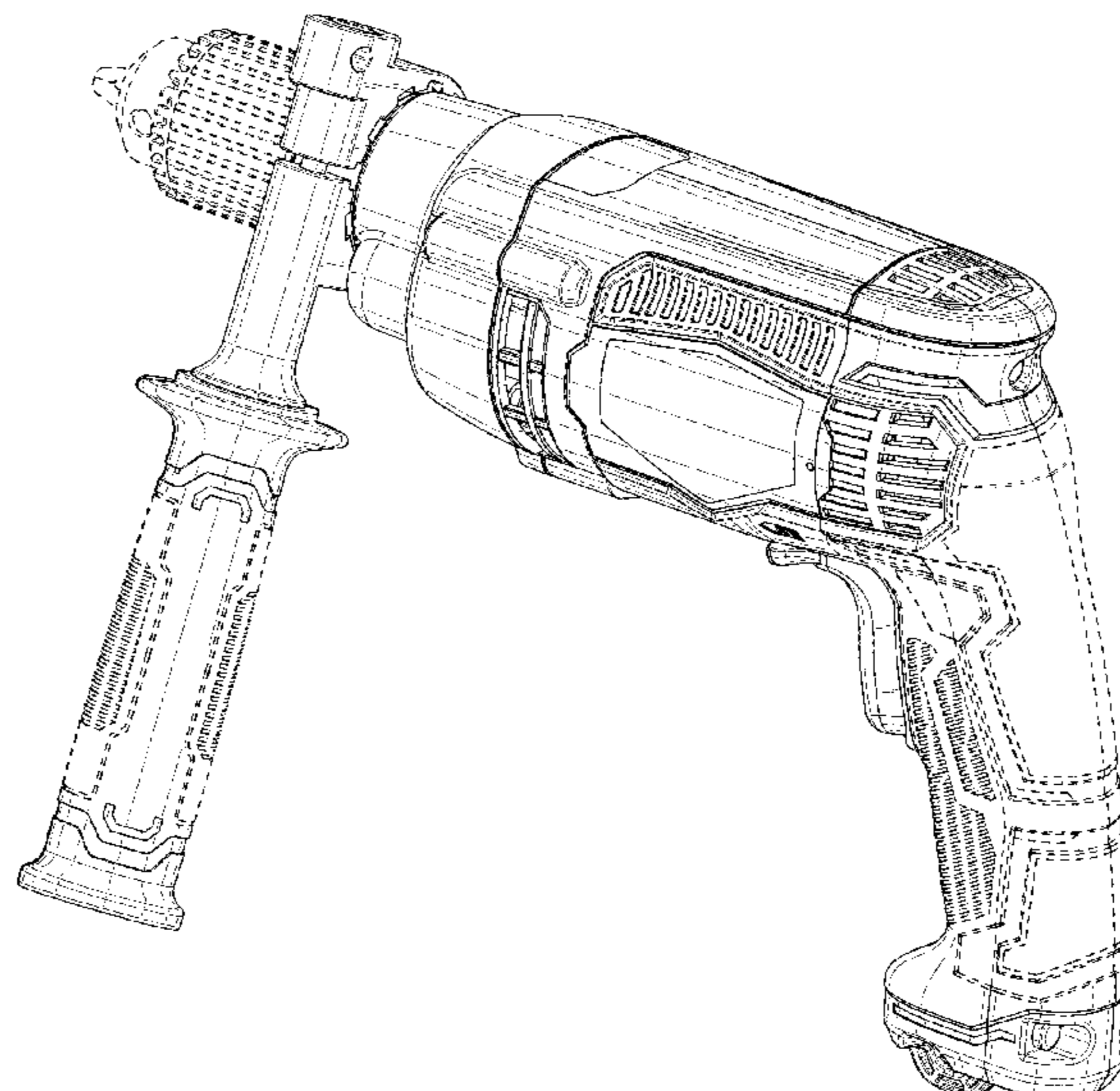
(57) **CLAIM**

The ornamental design for a drill, as shown and described.

DESCRIPTION

FIG. 1 is a perspective view of a drill showing our new design;
FIG. 2 is a left side elevation view thereof;
FIG. 3 is a right side elevation view thereof;
FIG. 4 is a front elevation view thereof;
FIG. 5 is a rear elevation view thereof;
FIG. 6 is a top plan view thereof; and,
FIG. 7 is a bottom plan view thereof.
The broken lines in the drawings illustrate portions of the drill that form no part of the claimed design.

1 Claim, 7 Drawing Sheets



(56)

References Cited

U.S. PATENT DOCUMENTS

D482,254	S	*	11/2003	Tsuzuki	D8/68
D486,049	S	*	2/2004	Sugiura	D8/68
D490,677	S	*	6/2004	Chung	D8/68
D496,574	S	*	9/2004	Sakai	D8/68
D526,178	S	*	8/2006	Alias	D8/68
D531,874	S	*	11/2006	Wu	D8/68
D533,419	S	*	12/2006	Aglassinger	D8/68
D534,405	S	*	1/2007	Concari	D8/68
D566,506	S	*	4/2008	Aglassinger	D8/68
D587,545	S	*	3/2009	Hayakawa	D8/68
D587,546	S	*	3/2009	Wright	D8/68
D588,429	S	*	3/2009	Misaki	D8/68
D592,477	S	*	5/2009	Wright	D8/68
D592,927	S	*	5/2009	Wright	D8/68
D593,388	S	*	6/2009	Hayakawa	D8/68
D605,015	S	*	12/2009	Aglassinger	D8/68
D605,484	S	*	12/2009	Aglassinger	D8/68
D605,485	S	*	12/2009	Aglassinger	D8/68
D608,174	S	*	1/2010	Wright	D8/68
D609,543	S	*	2/2010	Misaki	D8/68
D610,424	S	*	2/2010	Wright	D8/68
D628,454	S	*	12/2010	Misaki	D8/68
D645,316	S	*	9/2011	Murray	D8/68
D647,774	S	*	11/2011	Okuda	D8/68
D674,677	S	*	1/2013	Tirone	D8/68
2006/0291966	A1	*	12/2006	Klemm	B23B 45/008 408/124
2010/0026107	A1	*	2/2010	Hosokawa	B25F 5/008 310/50

* cited by examiner

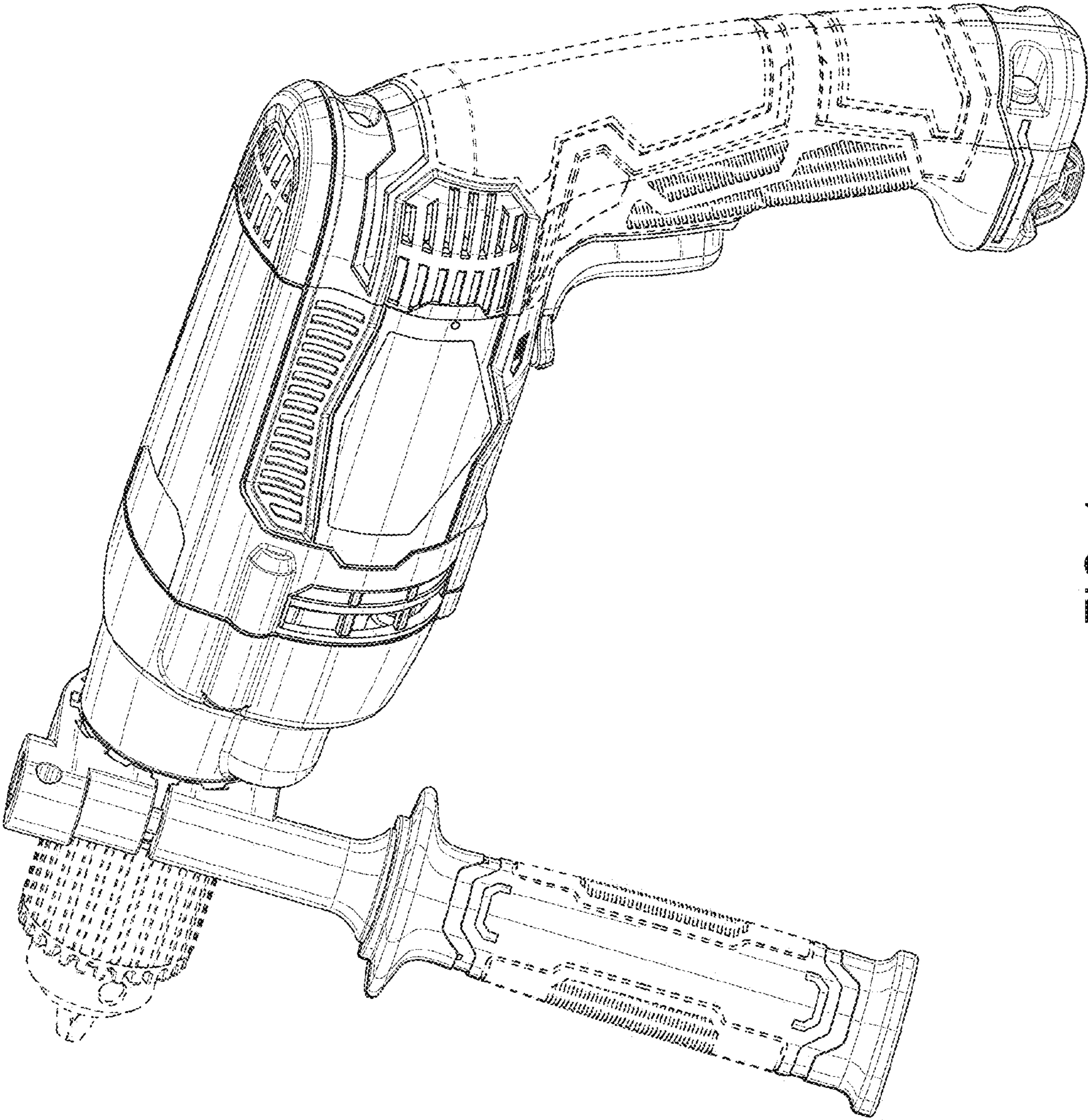


FIG. 1

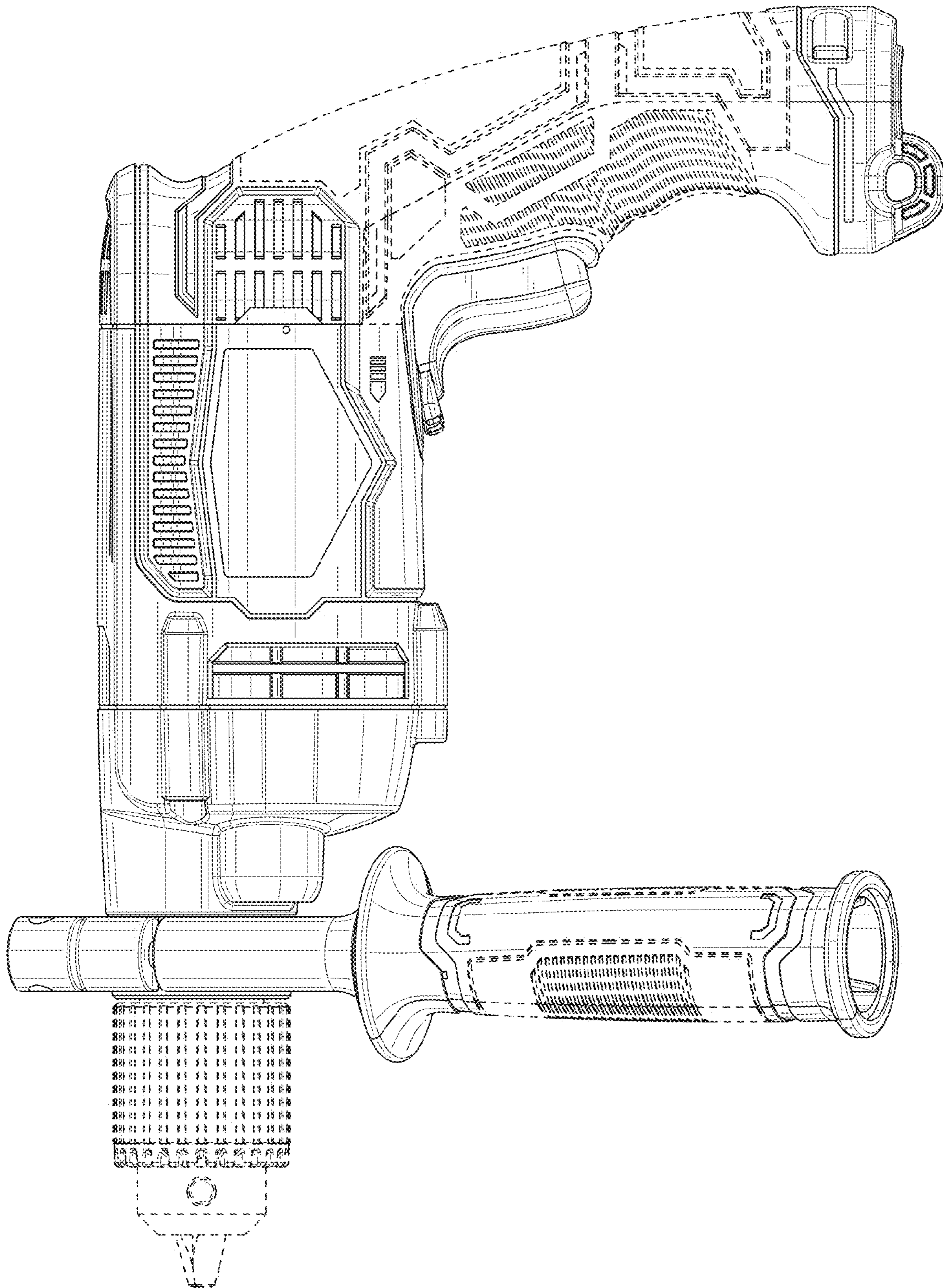


FIG. 2

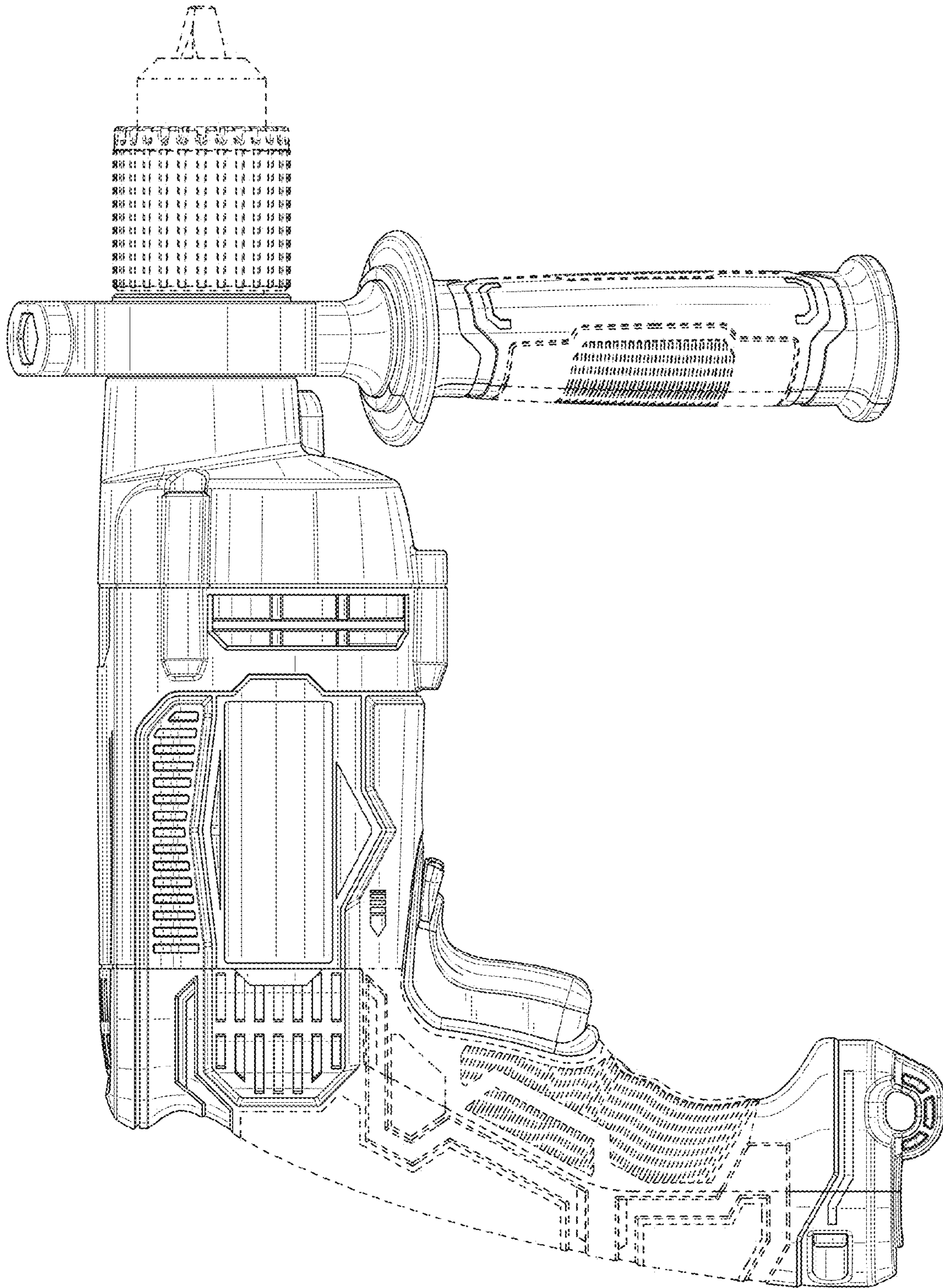


FIG. 3

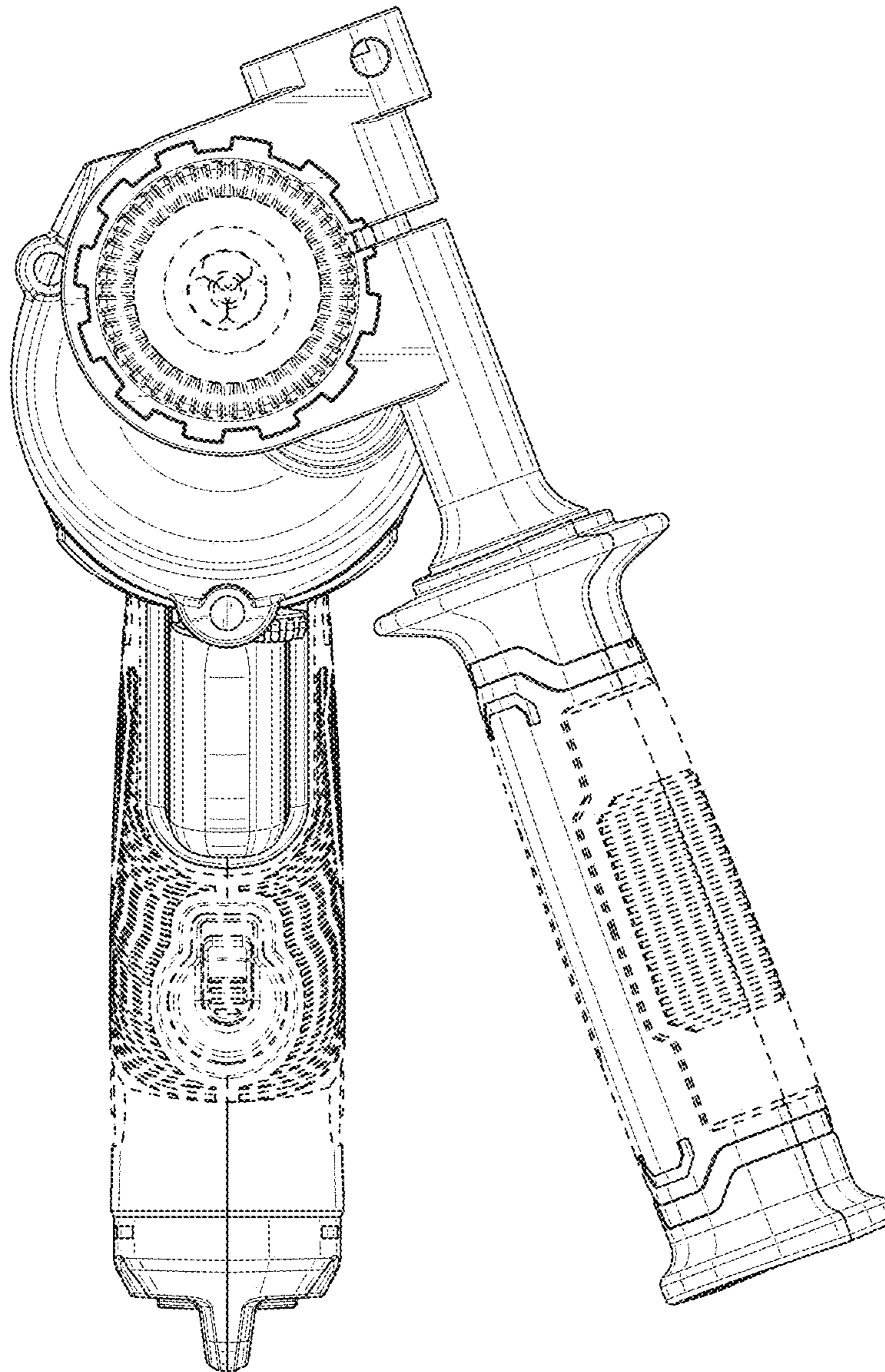


FIG. 4

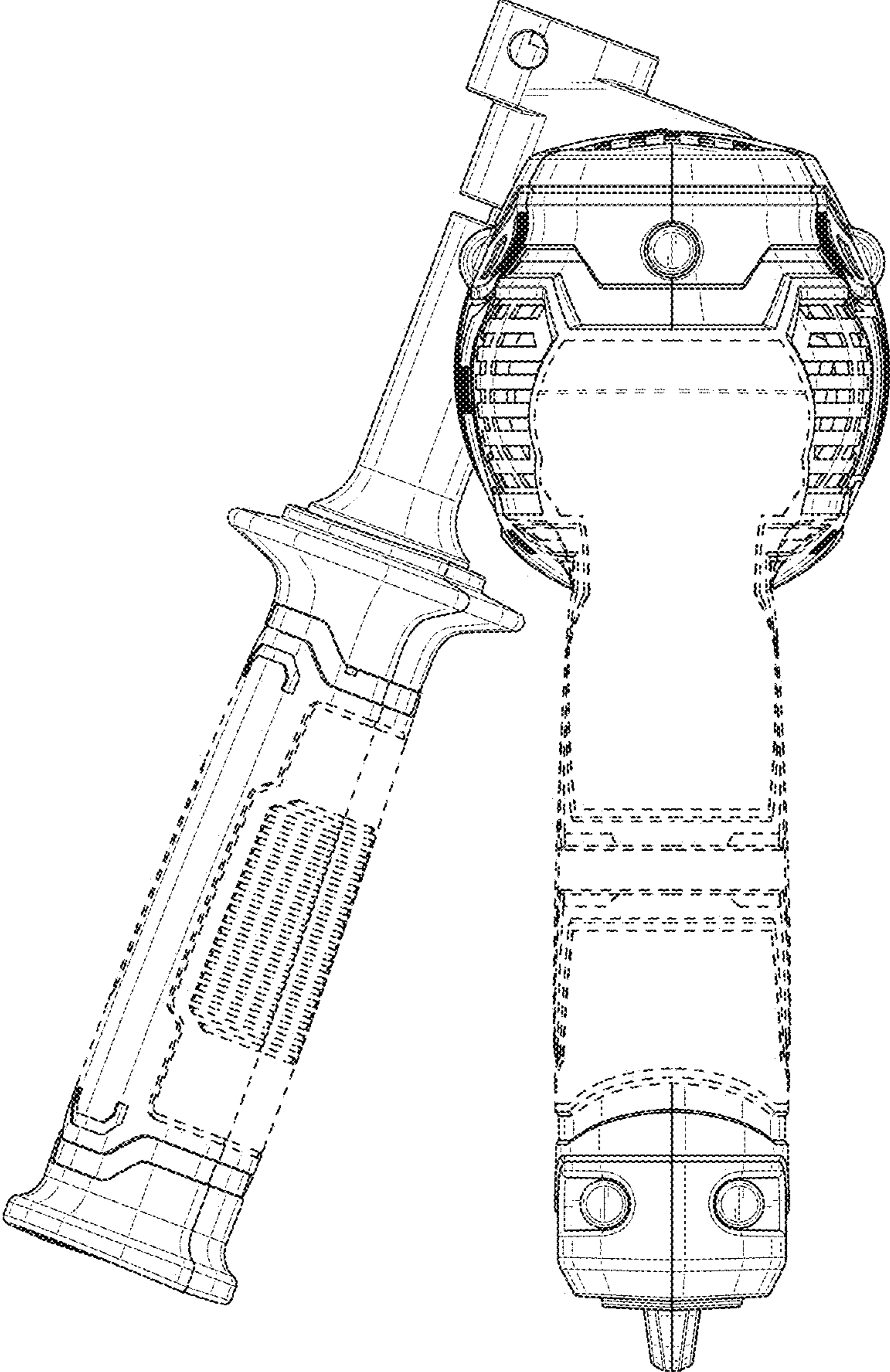


FIG. 5

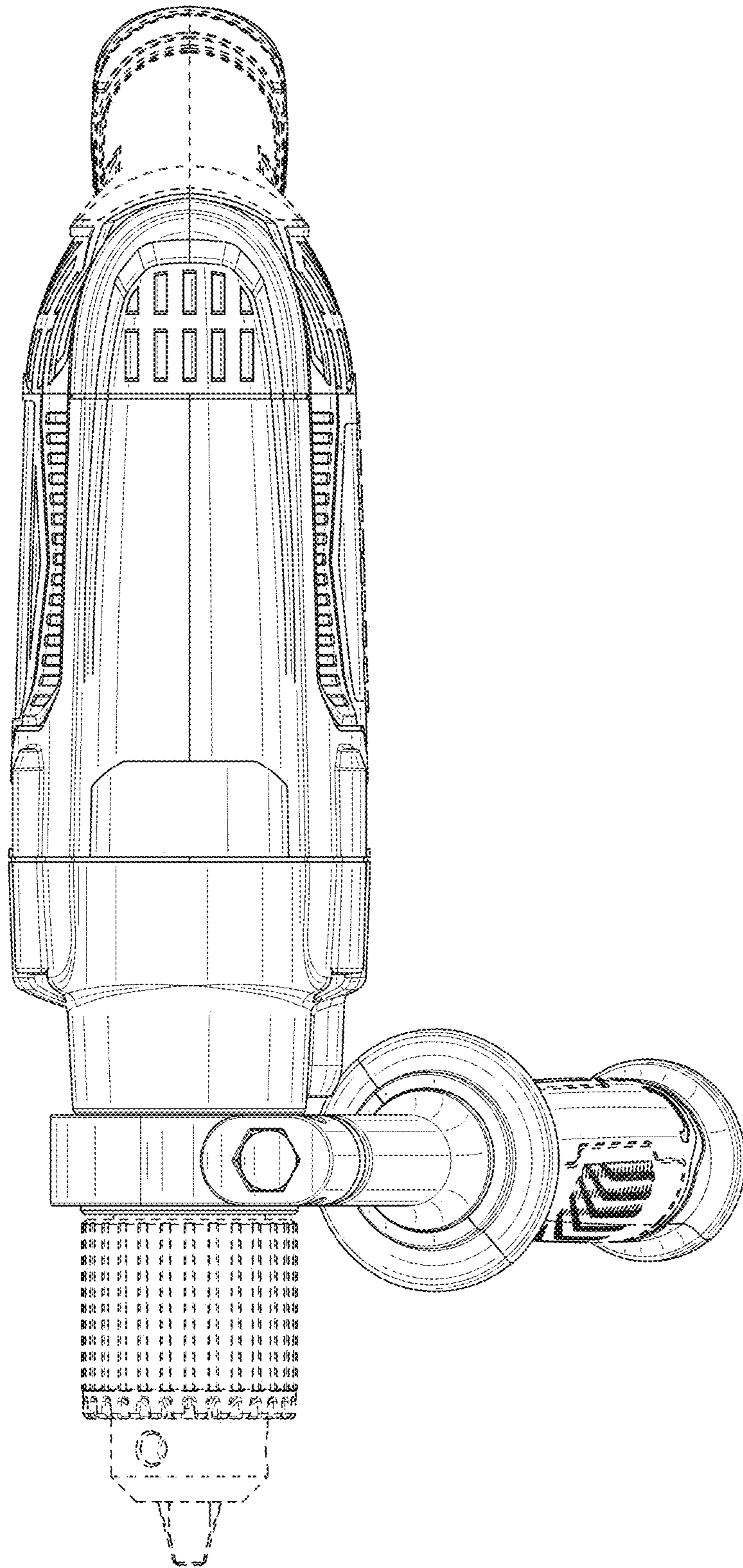


FIG. 6

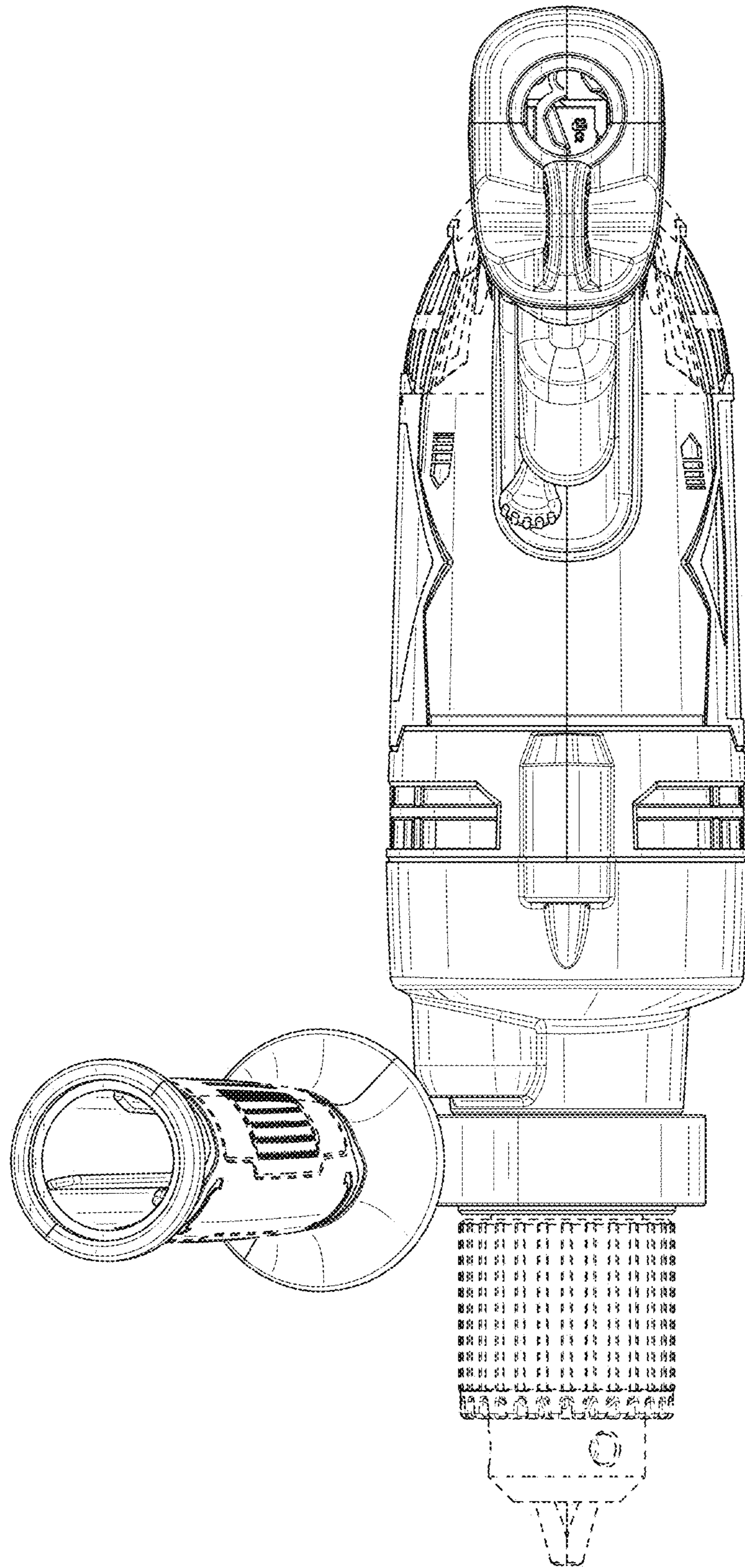


FIG. 7