



US00D872550S

(12) **United States Design Patent**
Zhou

(10) **Patent No.:** **US D872,550 S**
(45) **Date of Patent:** **** Jan. 14, 2020**

(54) **GRINDER**

(71) Applicant: **BLACK & DECKER INC.**, New Britain, CT (US)

(72) Inventor: **Jason Zhou**, Suzhou (CN)

(73) Assignee: **Black & Decker Inc.**, New Britain, CT (US)

(**) Term: **15 Years**

(21) Appl. No.: **29/643,397**

(22) Filed: **Apr. 9, 2018**

(51) **LOC (12) Cl.** **08-03**

(52) **U.S. Cl.**
USPC **D8/62**

(58) **Field of Classification Search**
USPC D8/69, 68, 67, 66, 64, 61, 70; 83/698.41,
83/747, 166.3, 374, 373, 375, 376, 391,
83/377, 390, 388, 389; 125/13.01;
144/218; D21/532
CPC B24B 23/028; B24B 47/12; B24B 7/186;
B25F 5/001; B25F 5/02
See application file for complete search history.

(56) **References Cited**

U.S. PATENT DOCUMENTS

| | | | | | |
|------------|---|---------|---------------|-------|-------|
| D305,399 S | * | 1/1990 | Fushiya | | D8/62 |
| D506,662 S | * | 6/2005 | Watson | | D8/62 |
| D544,324 S | * | 6/2007 | Waldron | | D8/62 |
| D557,580 S | * | 12/2007 | Aglassinger | | D8/62 |
| D568,703 S | * | 5/2008 | Jiang | | D8/62 |
| D686,478 S | * | 7/2013 | Waldron | | D8/62 |
| D705,628 S | | 5/2014 | Tirone et al. | | |

| | | | | | |
|------------|---|---------|-----------|-------|-------|
| D783,379 S | * | 4/2017 | Takahashi | | D8/62 |
| D813,631 S | * | 3/2018 | Croghan | | D8/62 |
| D825,305 S | * | 8/2018 | Tasic | | D8/62 |
| D830,802 S | * | 10/2018 | Okuda | | D8/62 |

OTHER PUBLICATIONS

Porter Cable 20v Max Cordless Cut Off/Grinder (PCC761B)—
<https://www.portercable.com/products/power-tools/metalworking-tools/grinders/20v-max-cordless-cut-offgrinder-tool-only/pc0761b>—
accessed on Aug. 27, 2018.

Porter Cable 6 AMP 4-1/2 in. Angle Grinder (PCEG011)—<https://www.portercable.com/products/power-tools/metalworking-tools/grinders/6-amp-412-in-angle-grinder/peeg011>—
accessed on Aug. 27, 2018.

* cited by examiner

Primary Examiner — Austin Murphy

(74) *Attorney, Agent, or Firm* — Stephen R. Valancius

(57) **CLAIM**

The ornamental design for a grinder, as shown and described.

DESCRIPTION

FIG. 1 is a perspective view of a grinder showing my new design;

FIG. 2 is a left side view thereof;

FIG. 3 is a right side view thereof;

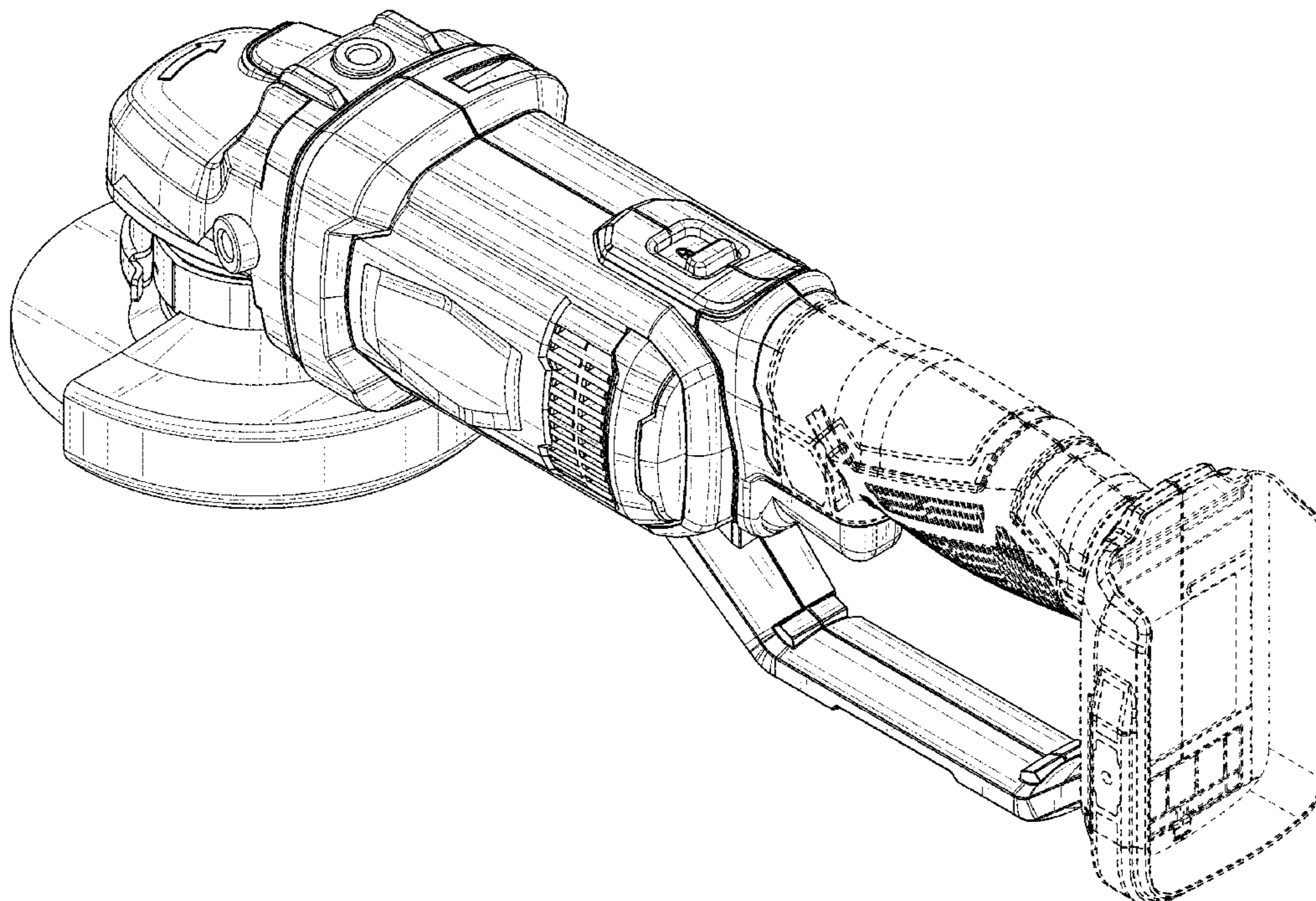
FIG. 4 is a top plan view thereof;

FIG. 5 is a bottom plan view;

FIG. 6 is a front view thereof; and,

FIG. 7 is a rear view thereof.

1 Claim, 7 Drawing Sheets



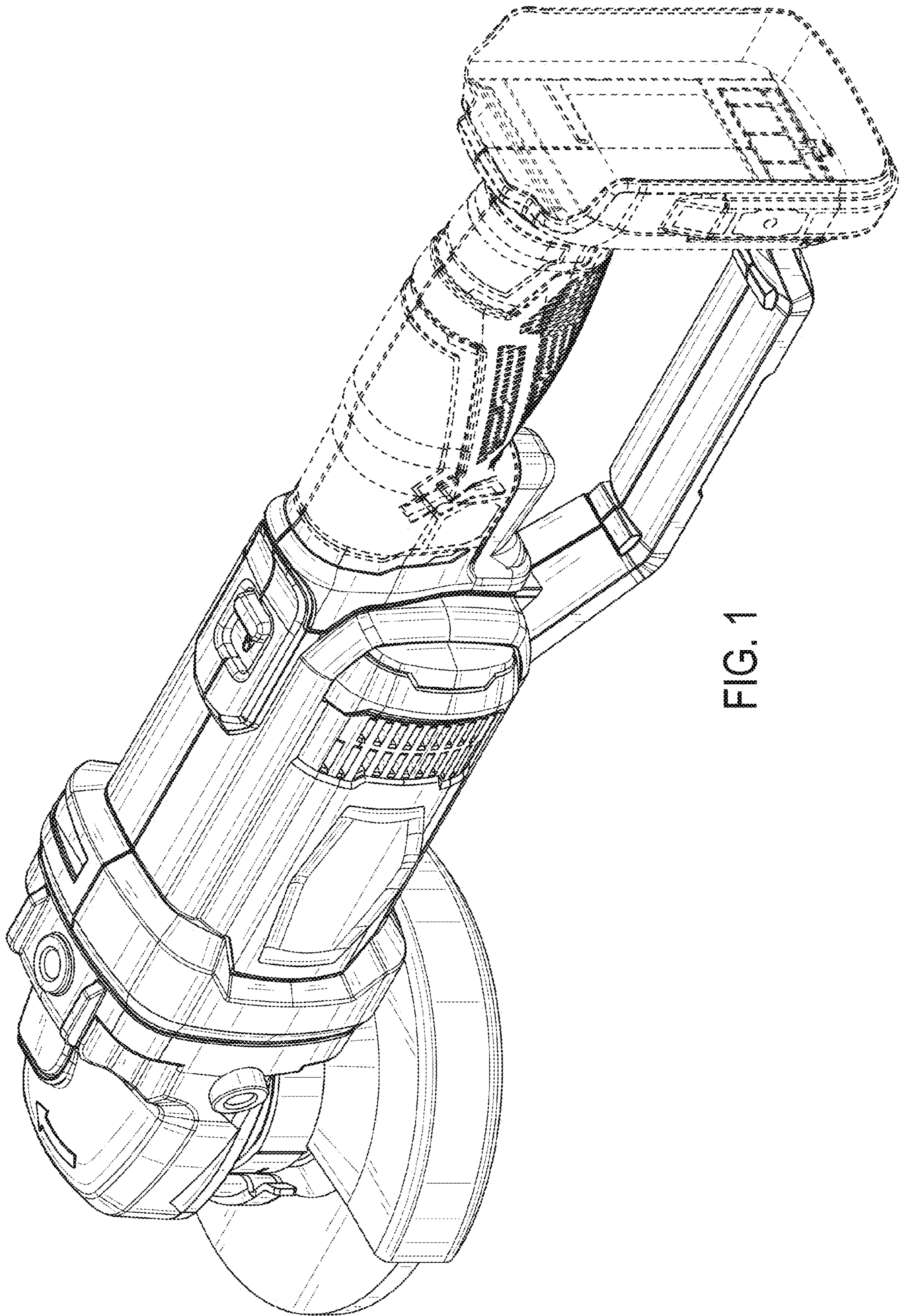


FIG. 1

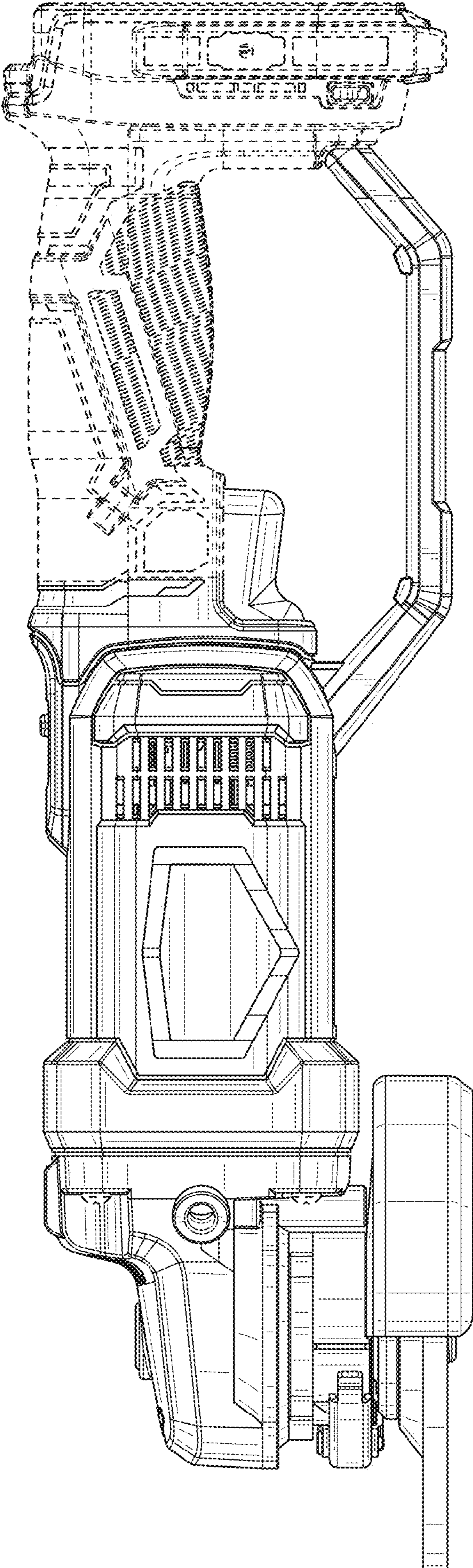


FIG. 2

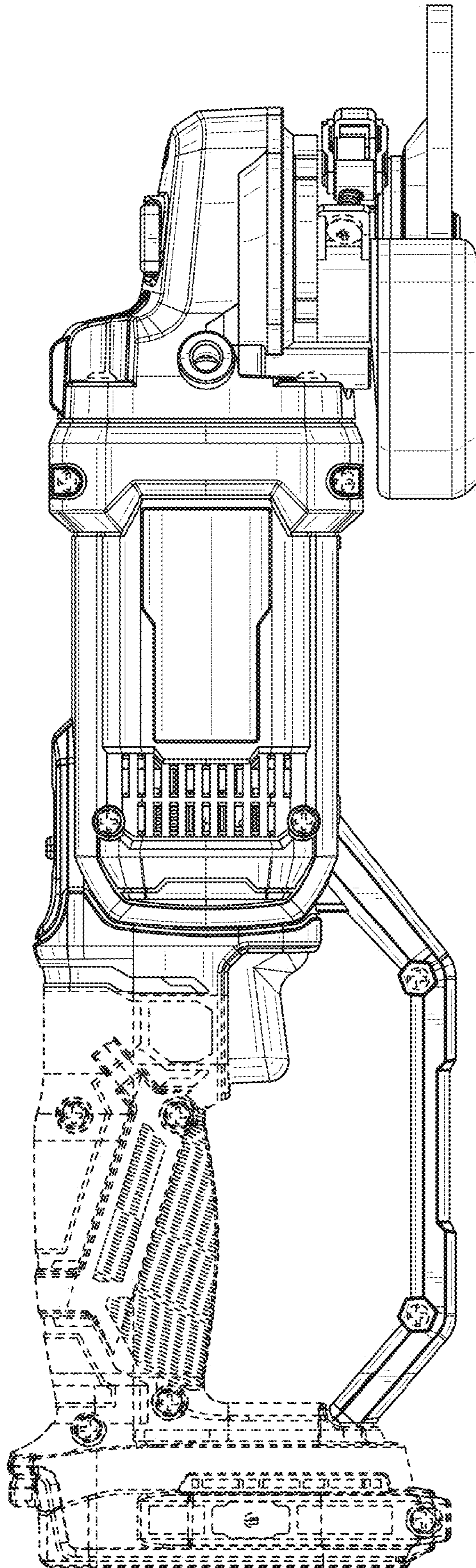


FIG. 3

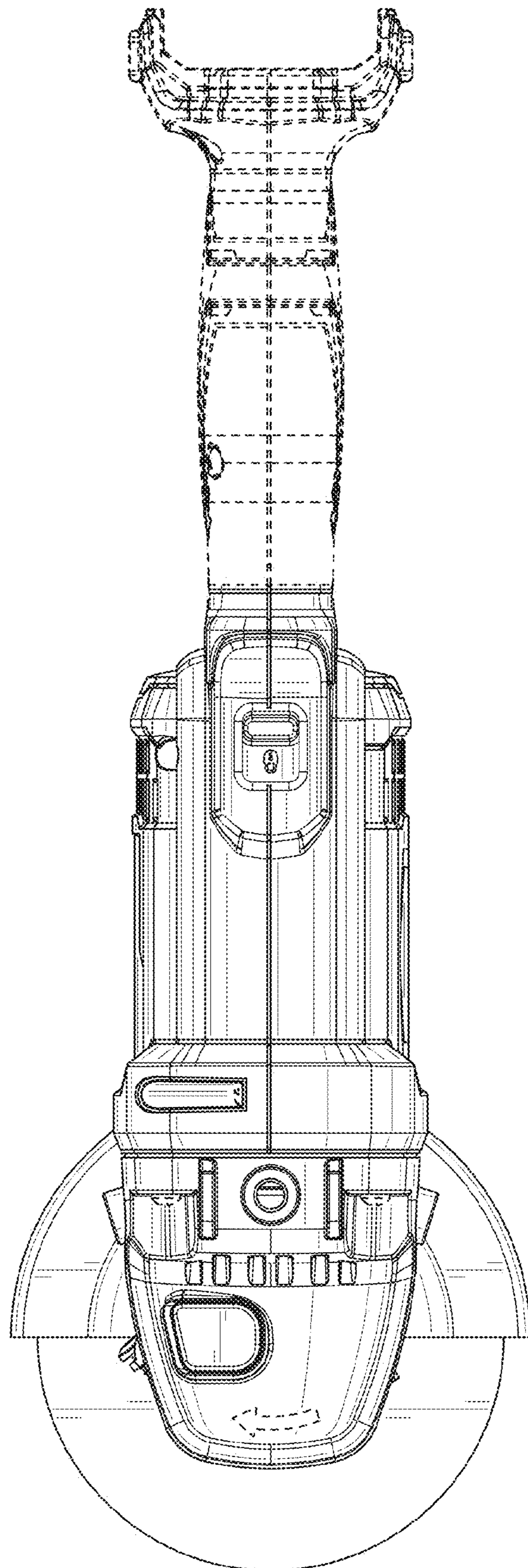


FIG. 4

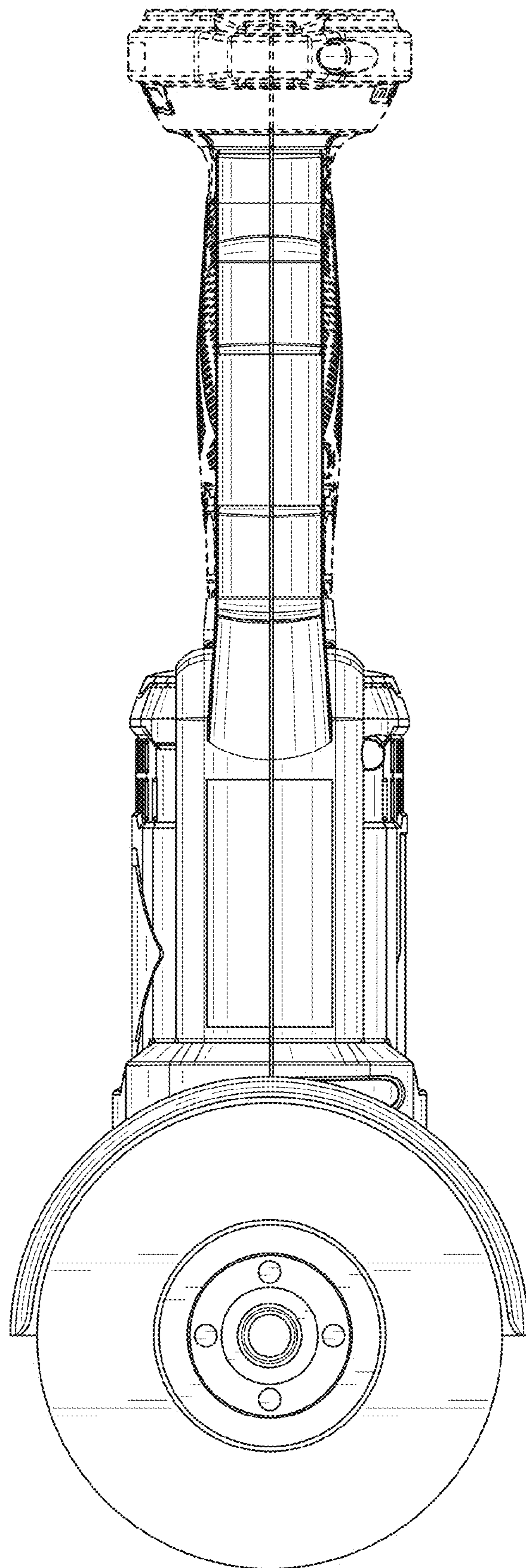


FIG. 5

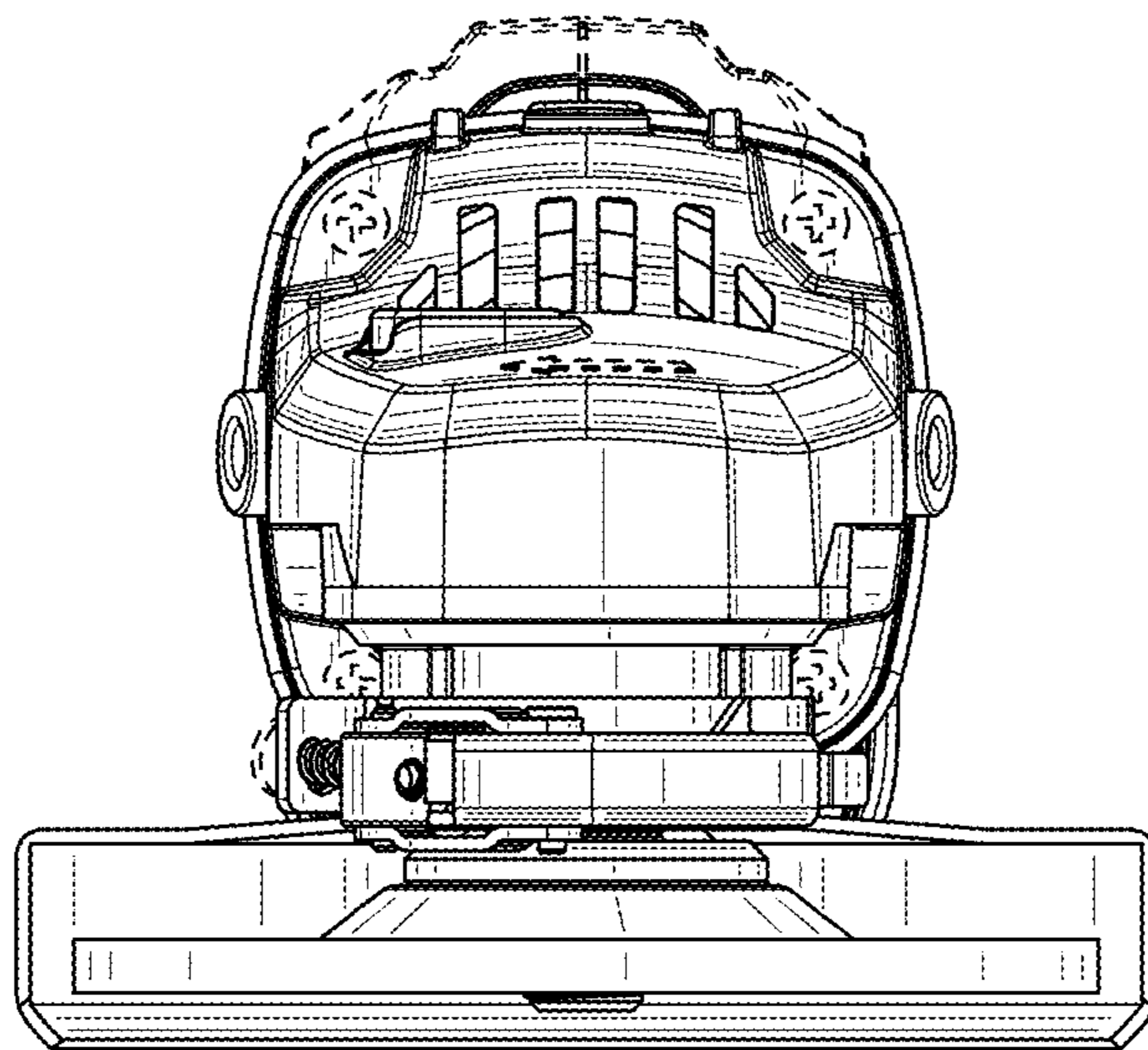


FIG. 6

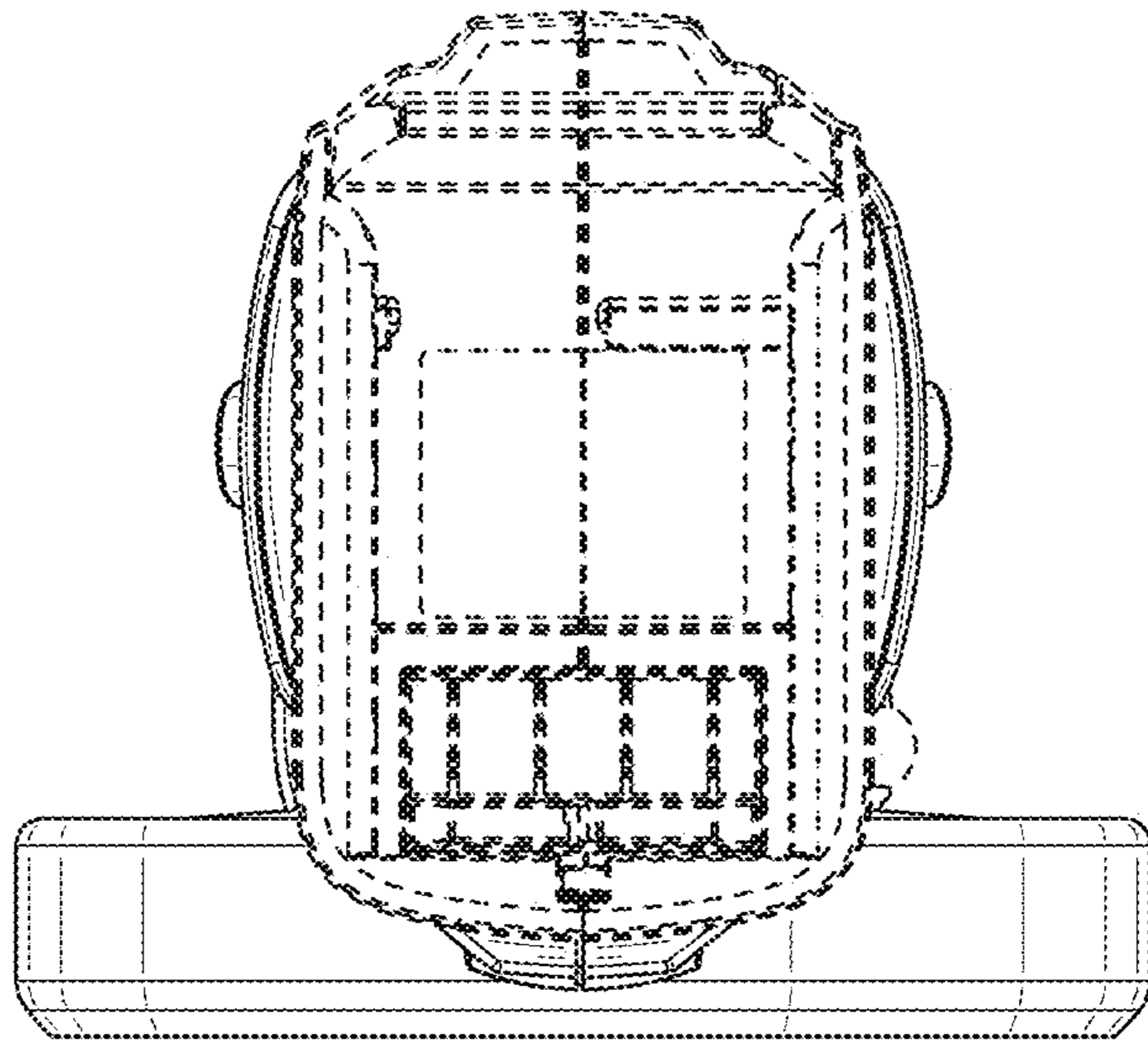


FIG. 7