



US00D872549S

(12) **United States Design Patent**  
**Inkster**

(10) **Patent No.:** **US D872,549 S**  
(45) **Date of Patent:** **\*\* Jan. 14, 2020**

(54) **ROTARY CARVER AND SANDING TOOL  
ADAPTOR FOR AN ANGLE GRINDER**

(71) Applicant: **Arbortech Industries Limited**, Malaga  
(AU)

(72) Inventor: **Kevin Ross Inkster**, Malaga (AU)

(73) Assignee: **Arbortech Industries Limited** (AU)

(\*\*) Term: **15 Years**

(21) Appl. No.: **29/630,068**

(22) Filed: **Dec. 19, 2017**

(30) **Foreign Application Priority Data**

Jun. 20, 2017 (AU) ..... 201713734

(51) **LOC (12) Cl.** ..... **08-05**

(52) **U.S. Cl.**  
USPC ..... **D8/62**

(58) **Field of Classification Search**

USPC .... D8/69, 68, 67, 66, 64, 61, 70; 83/698.41,  
83/747, 166.3, 374, 373, 375, 376, 391,  
(Continued)

(56) **References Cited**

**U.S. PATENT DOCUMENTS**

D787,908 S \* 5/2017 Hebert ..... D8/62  
D790,299 S \* 6/2017 Waldron ..... D8/62  
(Continued)

**OTHER PUBLICATIONS**

Arbortech; Article entitled: "Mini Grinder", located at: <<https://www.arbortechtools.com/au/mini-grinder/>>, publicly available prior to Jun. 20, 2016, 4 pgs.

*Primary Examiner* — Austin Murphy

(74) *Attorney, Agent, or Firm* — Taylor English Duma  
LLP

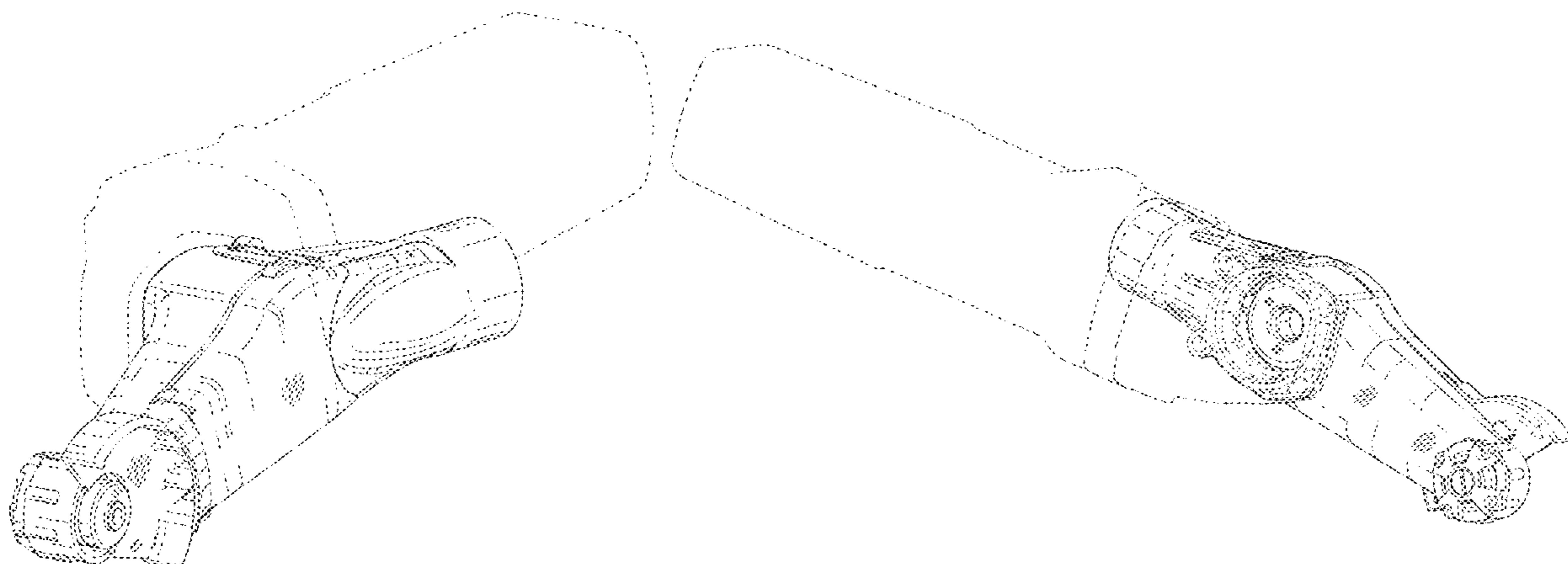
(57) **CLAIM**

I claim the ornamental design for a rotary carver and sanding tool adaptor for an angle grinder, as shown and described.

**DESCRIPTION**

FIG. 1 is a top plan view of the claimed design.  
FIG. 2 is a left side view of the claimed design of FIG. 1.  
FIG. 3 is a bottom plan view of the claimed design of FIG. 1.  
FIG. 4 is a right side view of the claimed design of FIG. 1.  
FIG. 5 is a front end view of the claimed design of FIG. 1.  
FIG. 6 is a rear end view of the claimed design of FIG. 1.  
FIG. 7 is a front left isometric view of the claimed design of FIG. 1.  
FIG. 8 is a front right isometric view of the claimed design of FIG. 1.  
FIG. 9 is a top plan view thereof of the claimed design of FIG. 1, showing a dust extraction cover thereof separated from a body thereof.  
FIG. 10 is a left side view of the claimed design of FIG. 9.  
FIG. 11 is a bottom plan view of the claimed design of FIG. 9.  
FIG. 12 is a right side view of the claimed design of FIG. 9.  
FIG. 13 is a front end view of the claimed design of FIG. 9.  
FIG. 14 is a rear end view of the claimed design of FIG. 9.  
FIG. 15 is a front left isometric view of the claimed design of FIG. 9; and,  
FIG. 16 is a front right isometric view of the claimed design of FIG. 9.  
The broken lines depicting the angle grinder, various fasteners, and other elements throughout represent environment forming no part of the claimed design.

**1 Claim, 16 Drawing Sheets**



(58) **Field of Classification Search**

USPC ..... 83/377, 390, 388, 389; 125/13.01;  
144/218; D21/532

CPC ..... B24B 23/028; B24B 47/12; B24B 7/186;  
B25F 5/001; B25F 5/02

See application file for complete search history.

(56) **References Cited**

U.S. PATENT DOCUMENTS

D813,631 S *	3/2018	Croghan .....	D8/62
D824,231 S *	7/2018	Waldron .....	D8/62
D825,305 S *	8/2018	Tasic .....	D8/62
D827,404 S *	9/2018	Schneider .....	D8/62
D830,802 S *	10/2018	Okuda .....	D8/62

\* cited by examiner

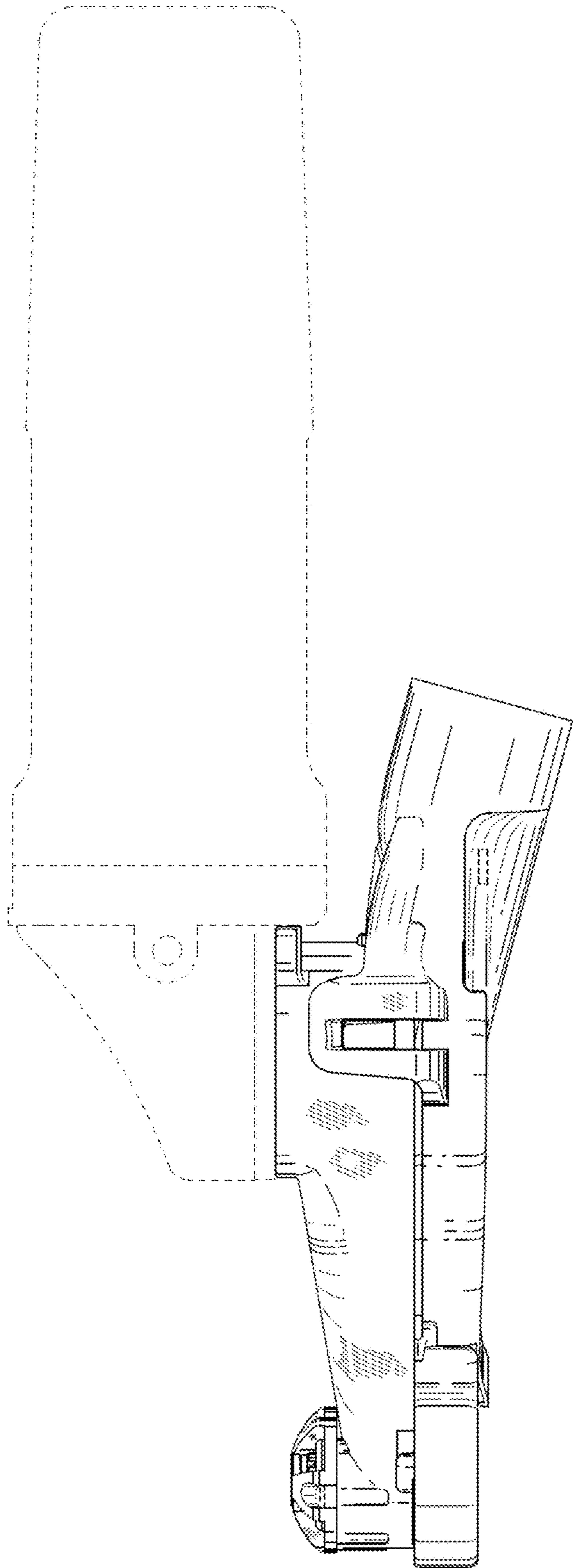


FIG. 1

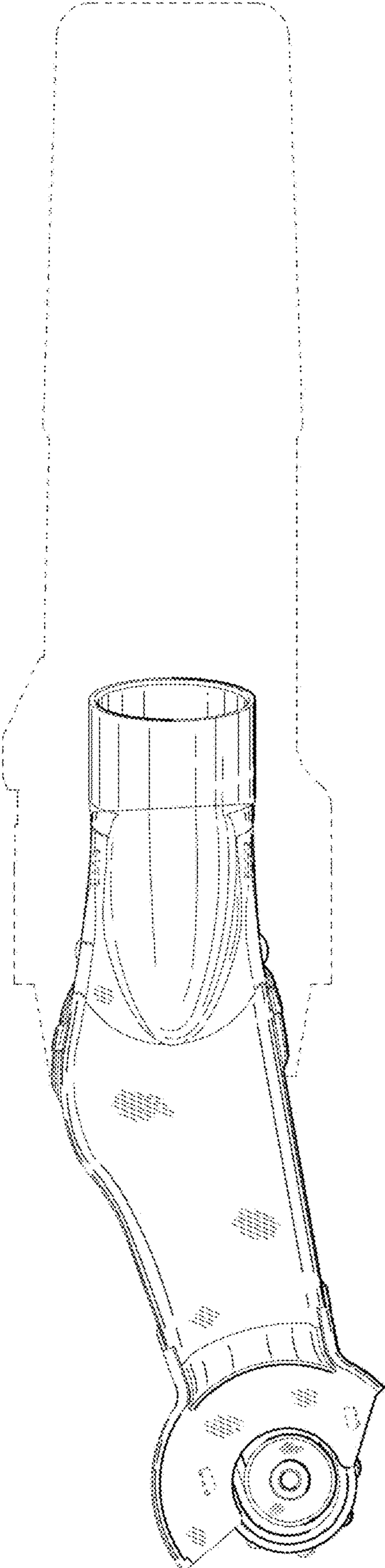


FIG. 2

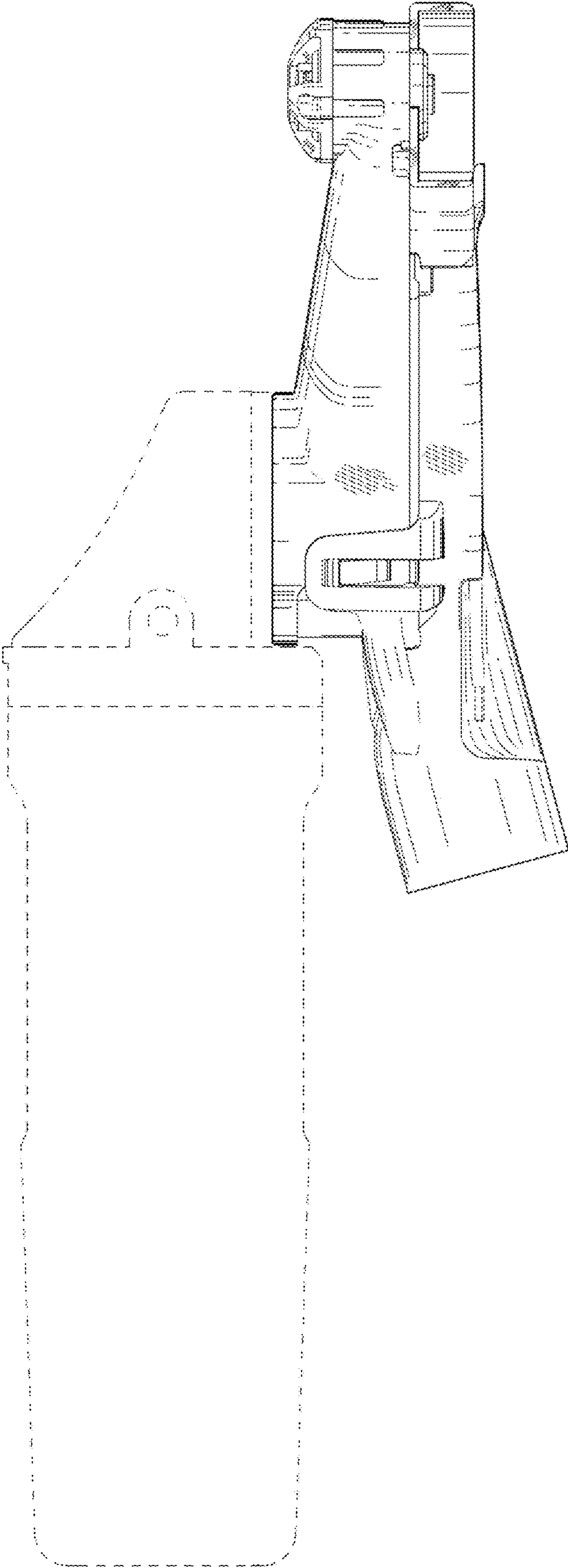


FIG. 3



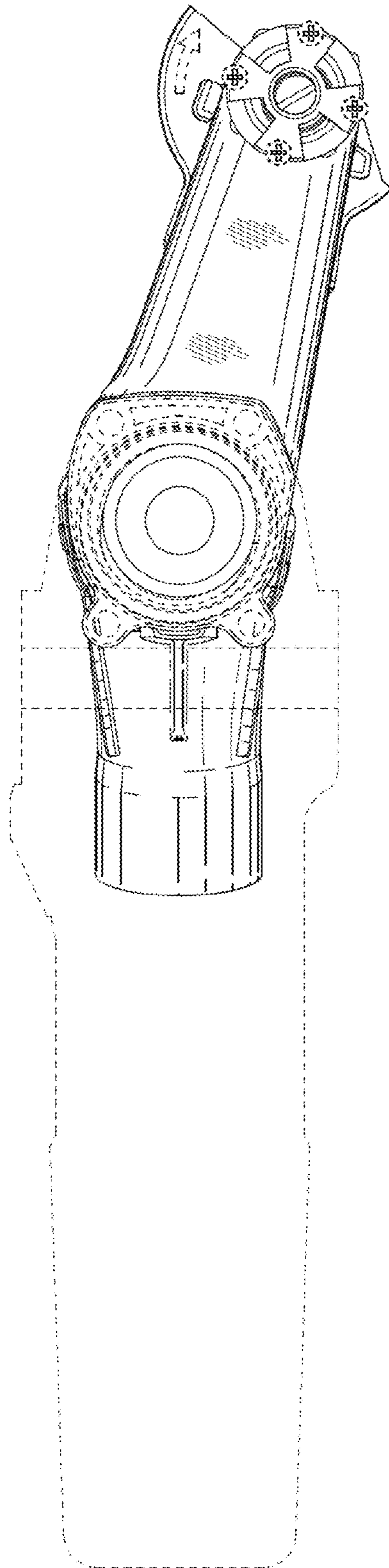


FIG. 4

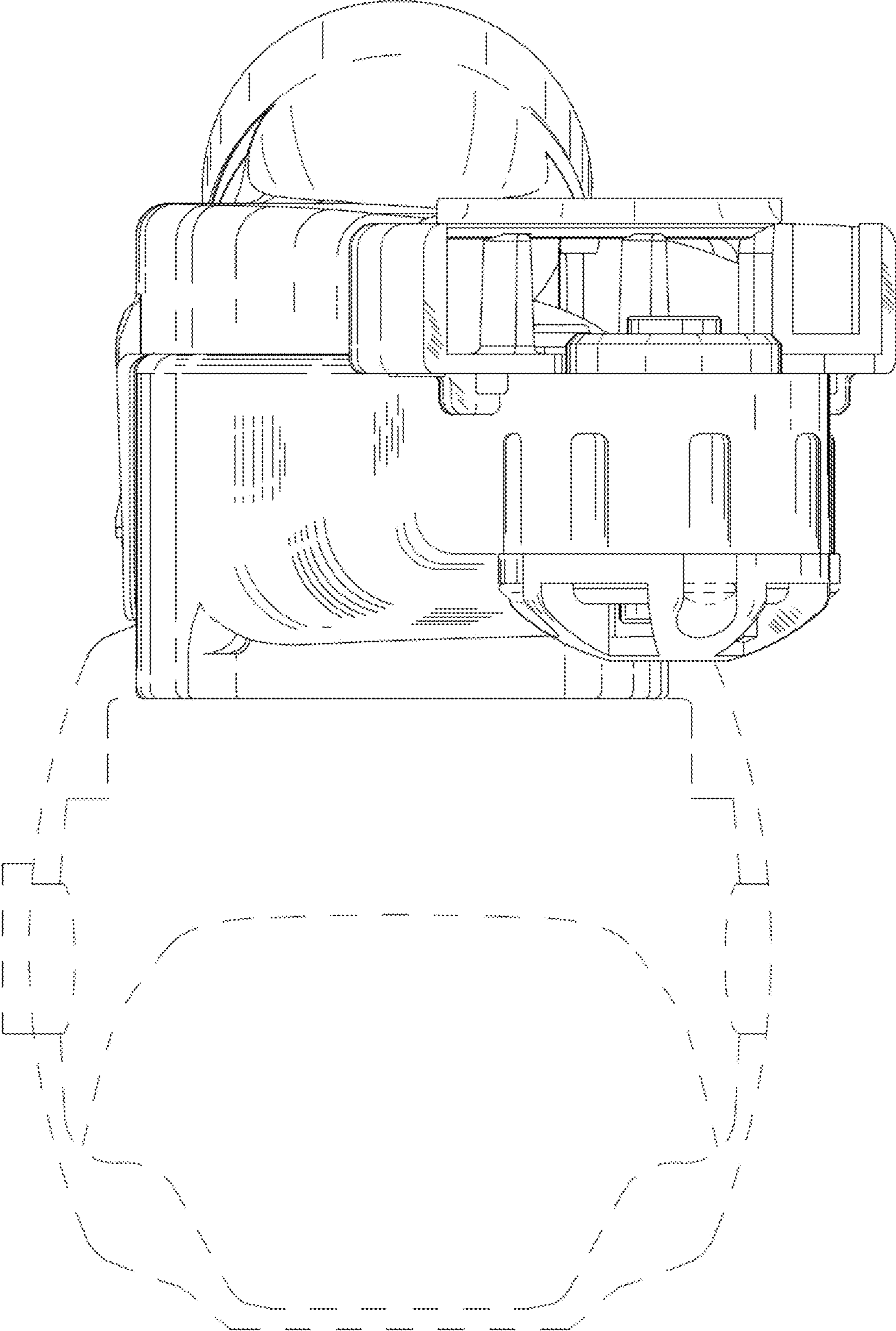


FIG. 5

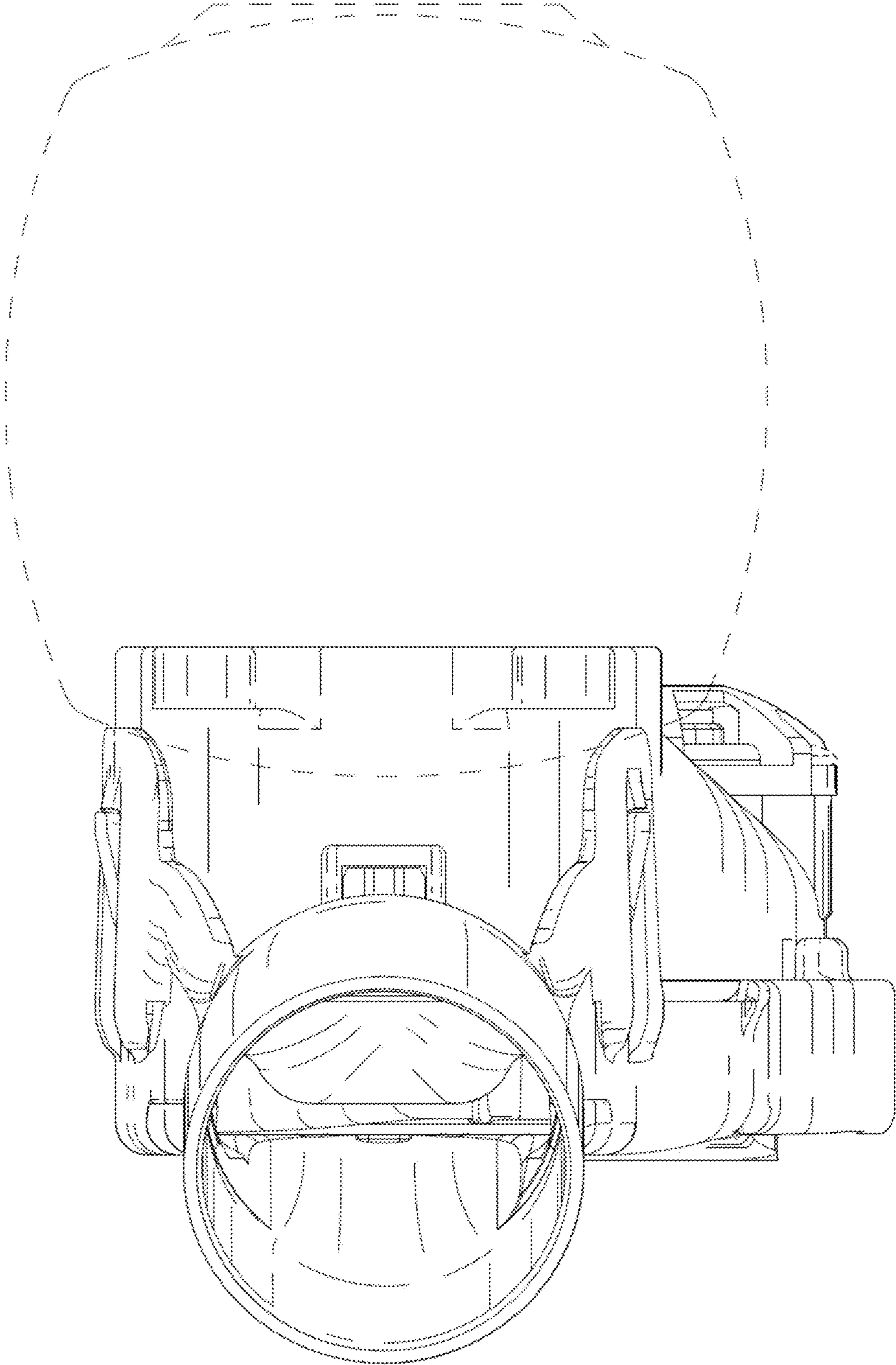


FIG. 6



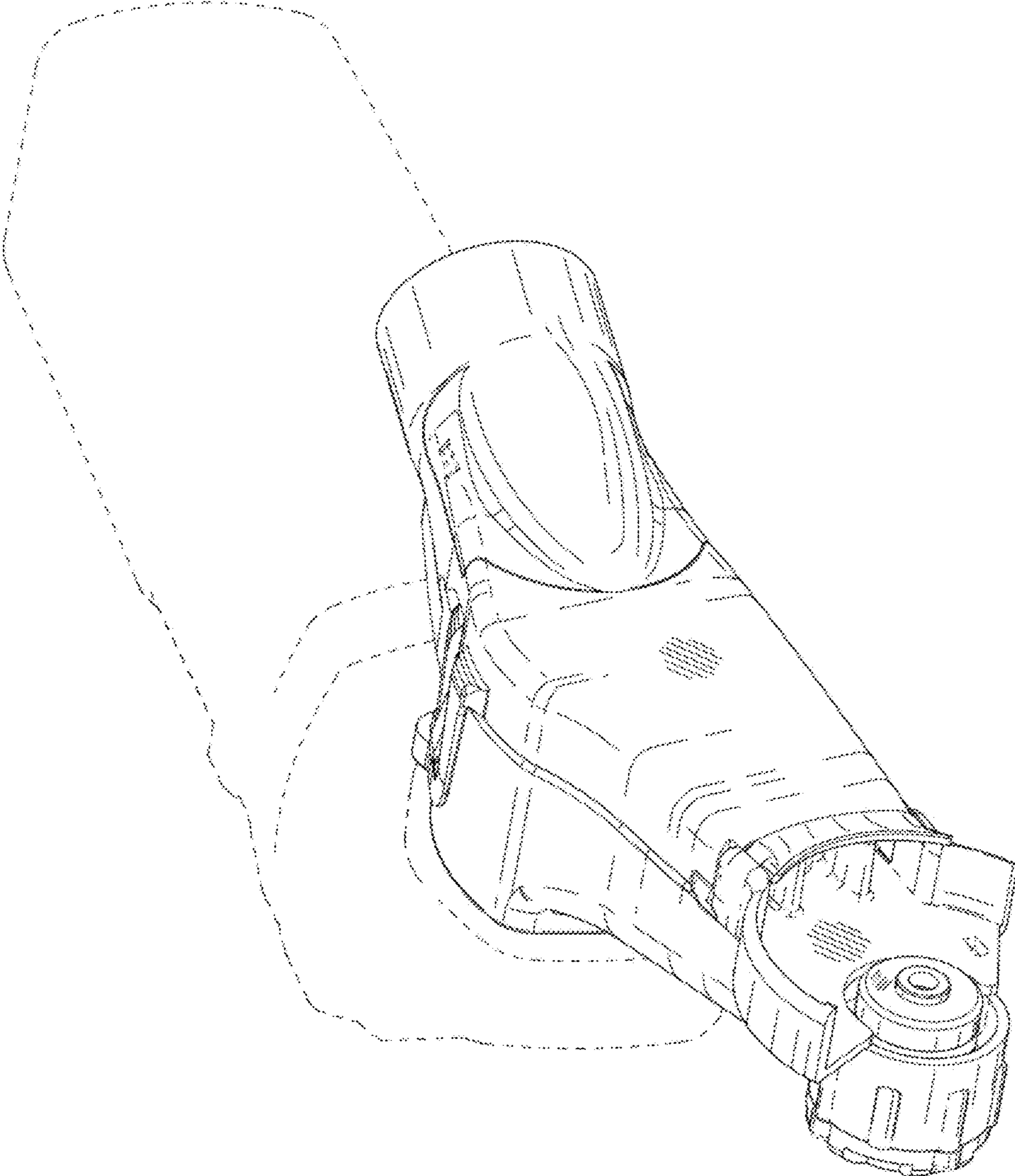


FIG. 7

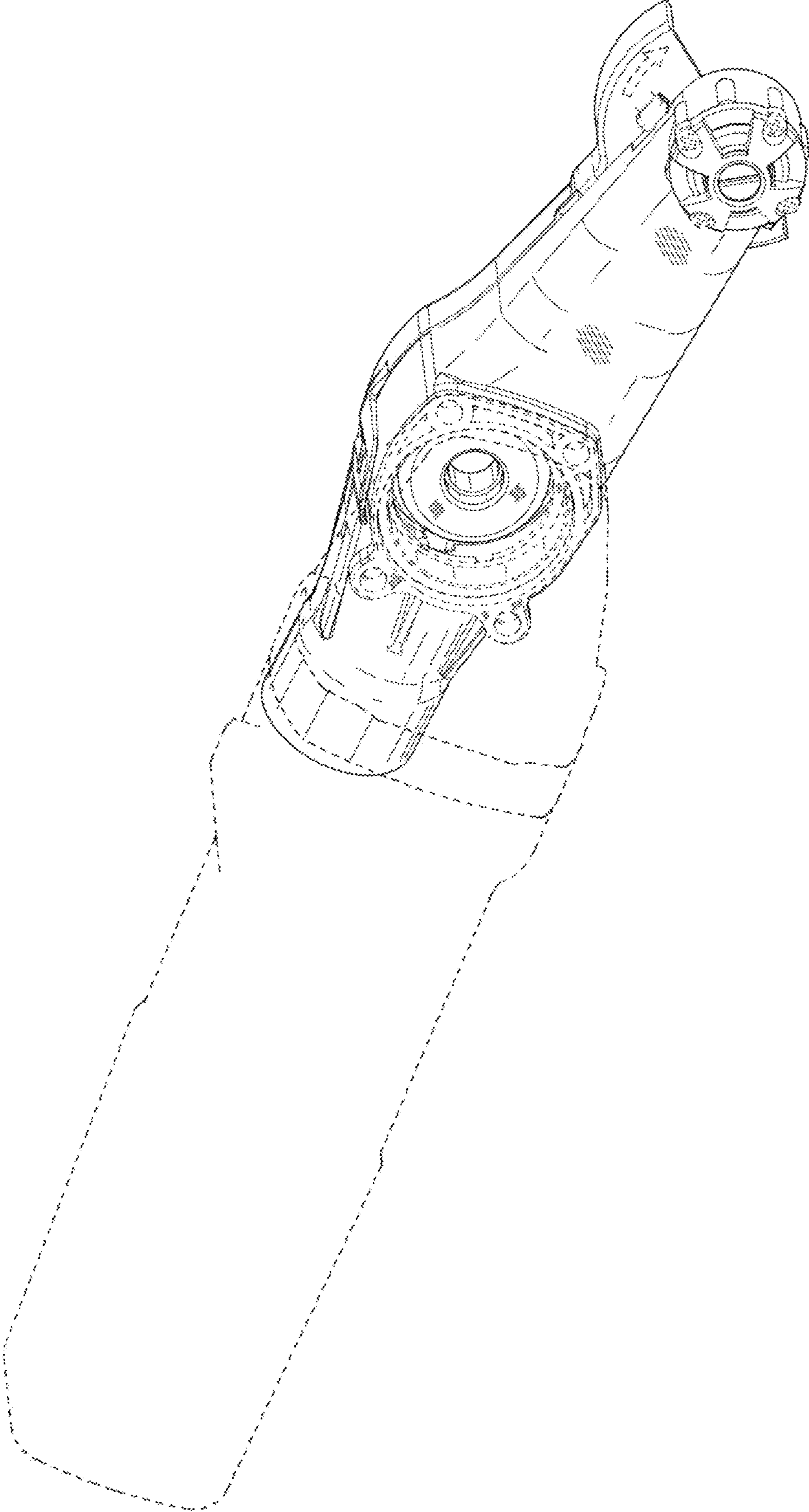


FIG. 8

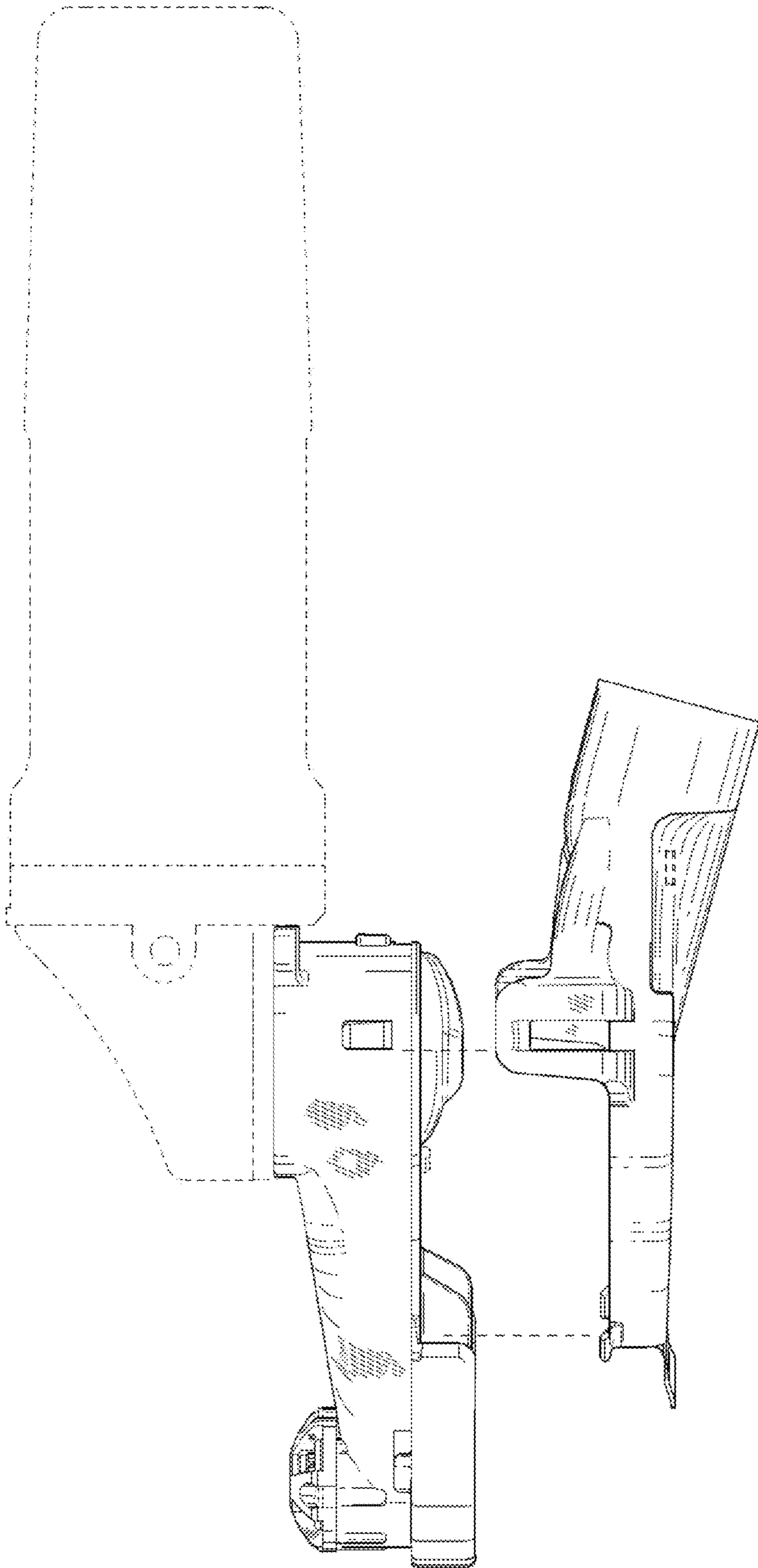


FIG. 9

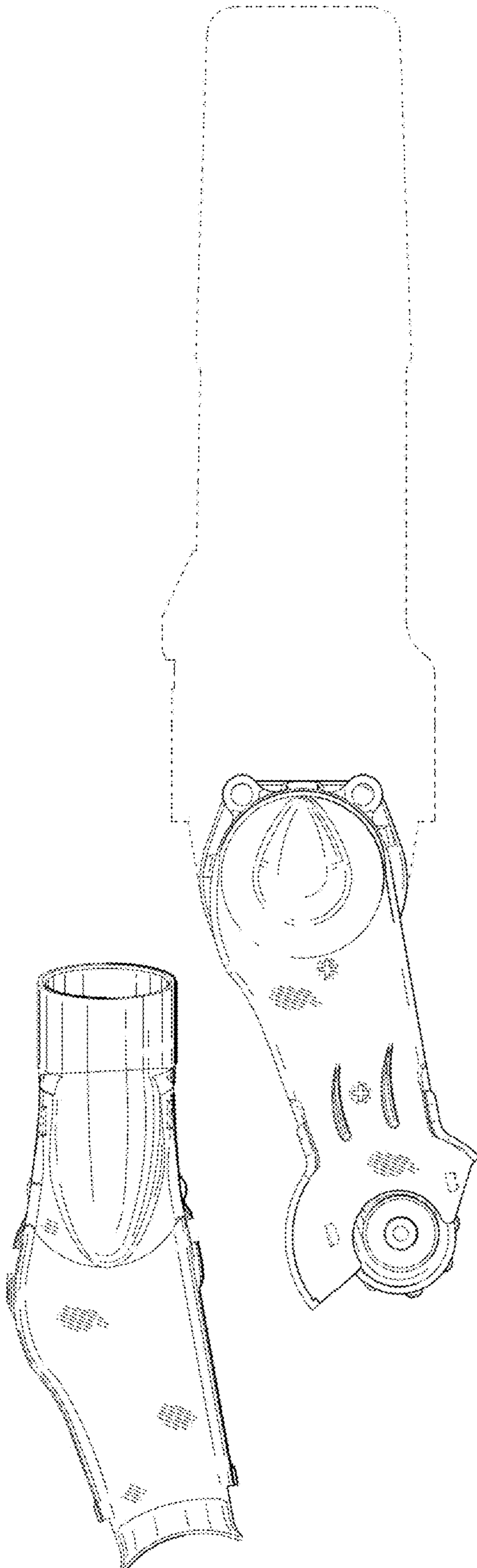


FIG. 10

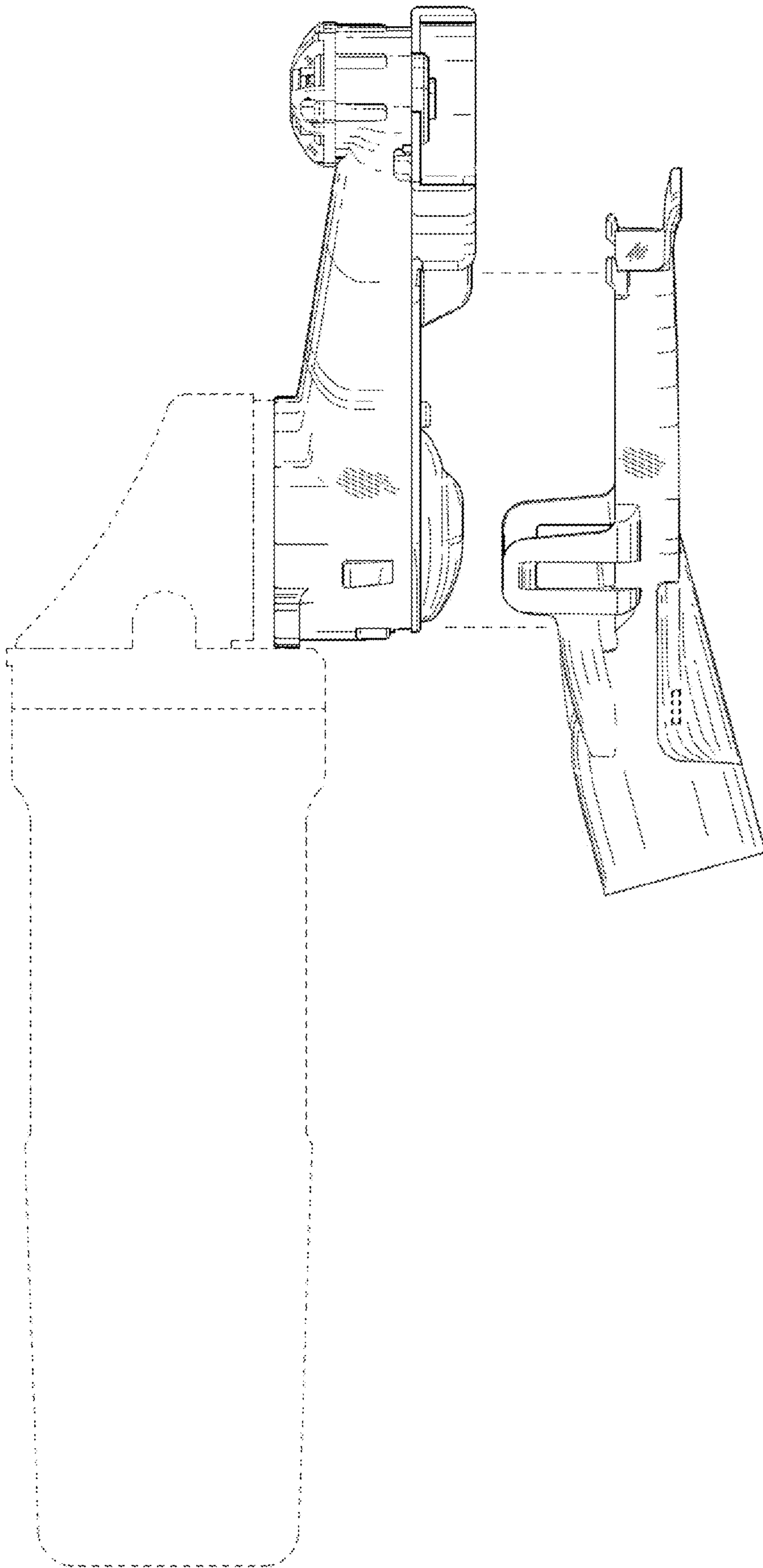


FIG. 11



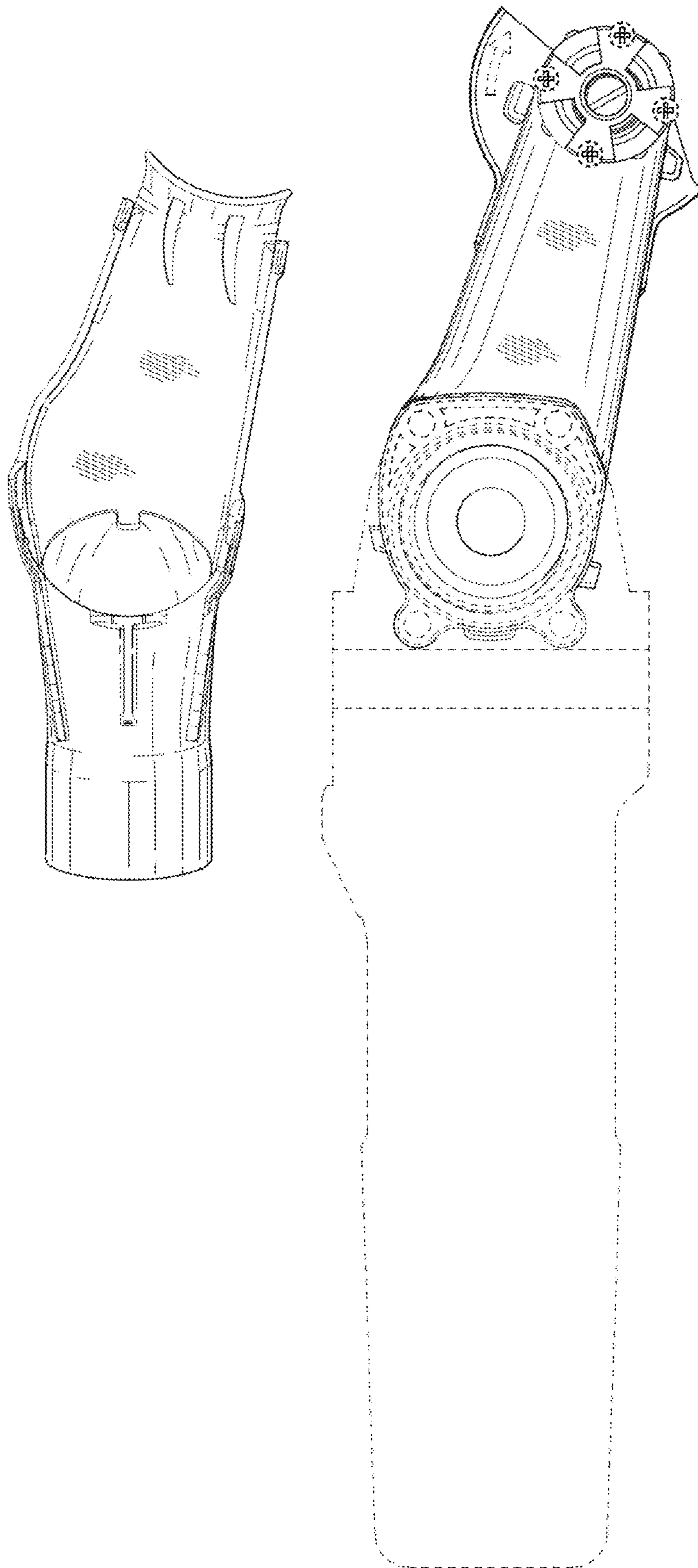


FIG. 12

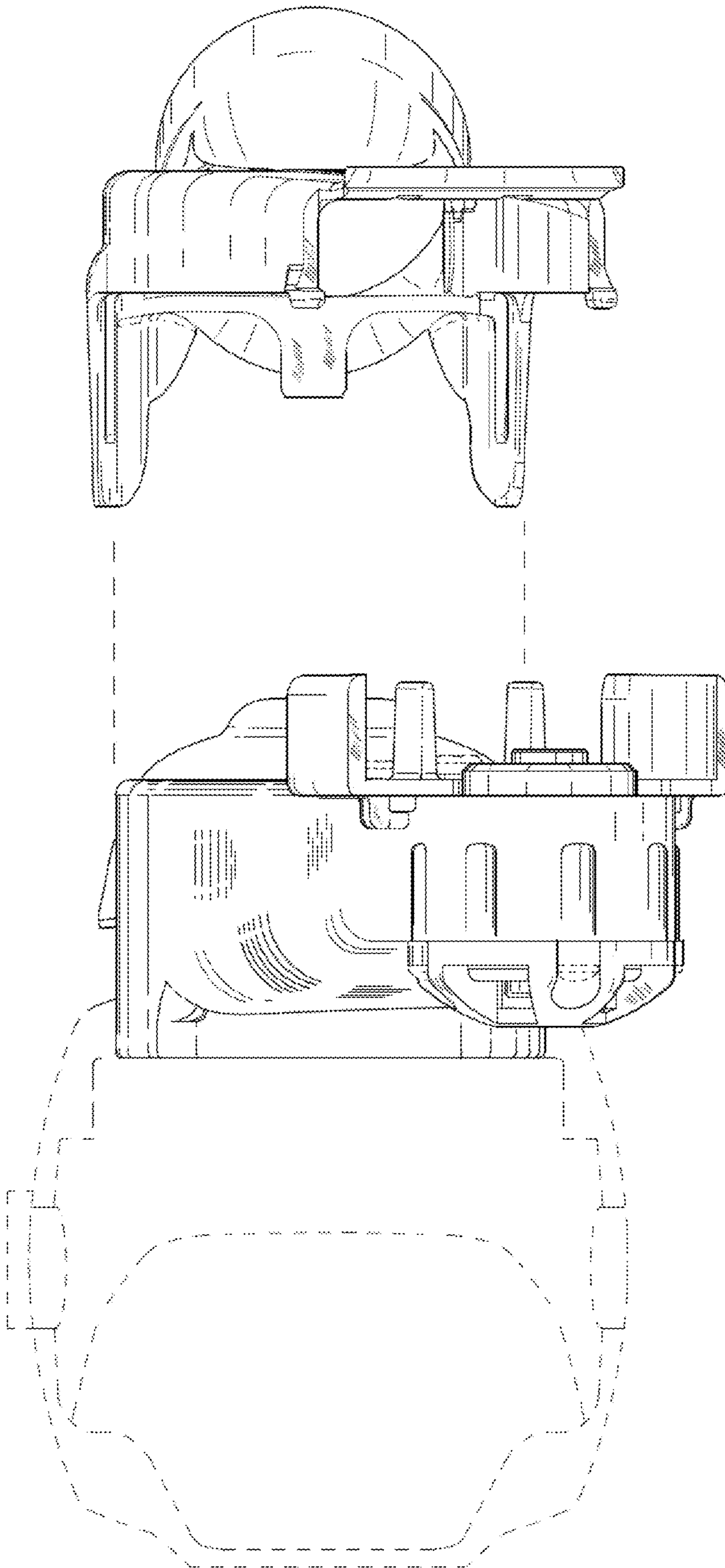


FIG. 13

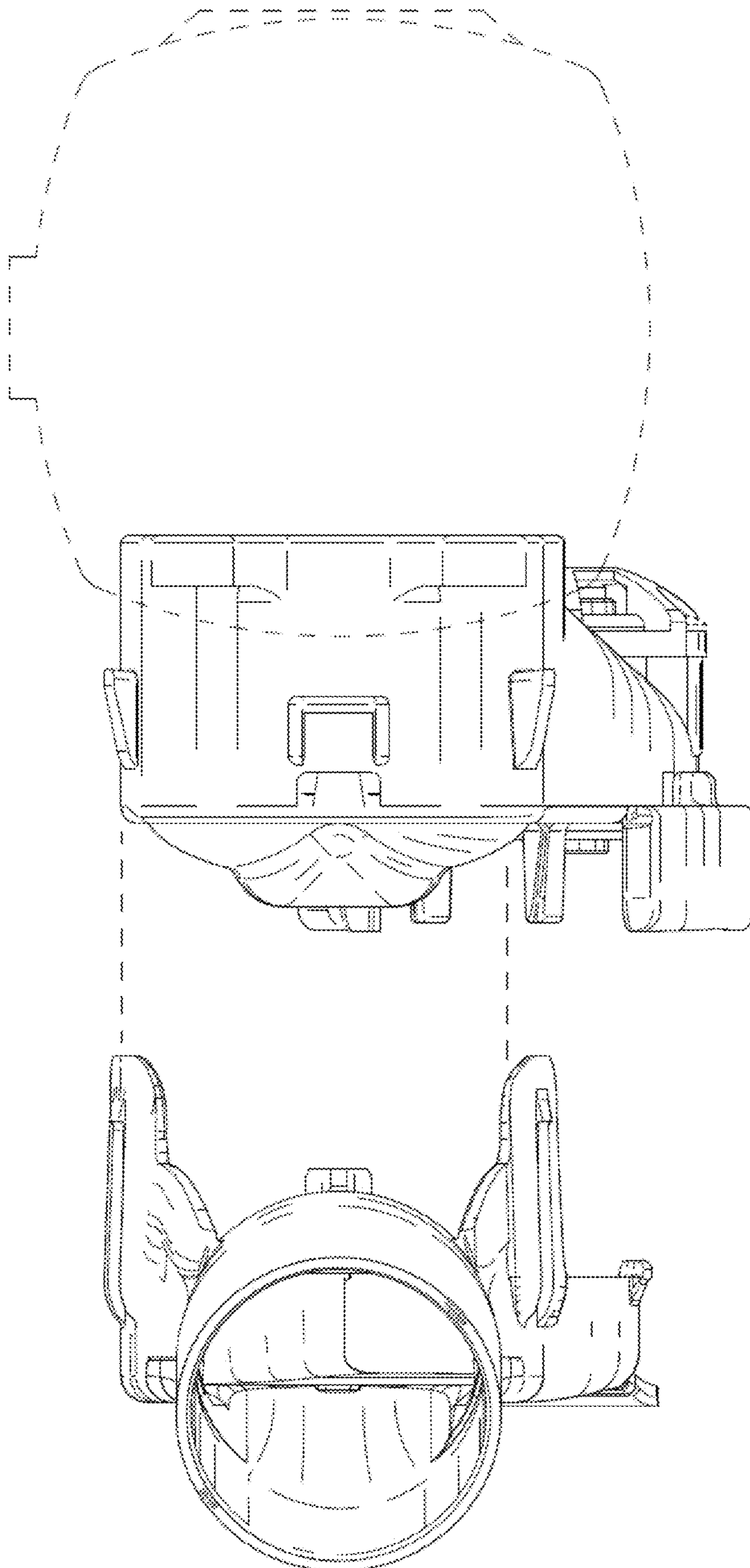


FIG. 14

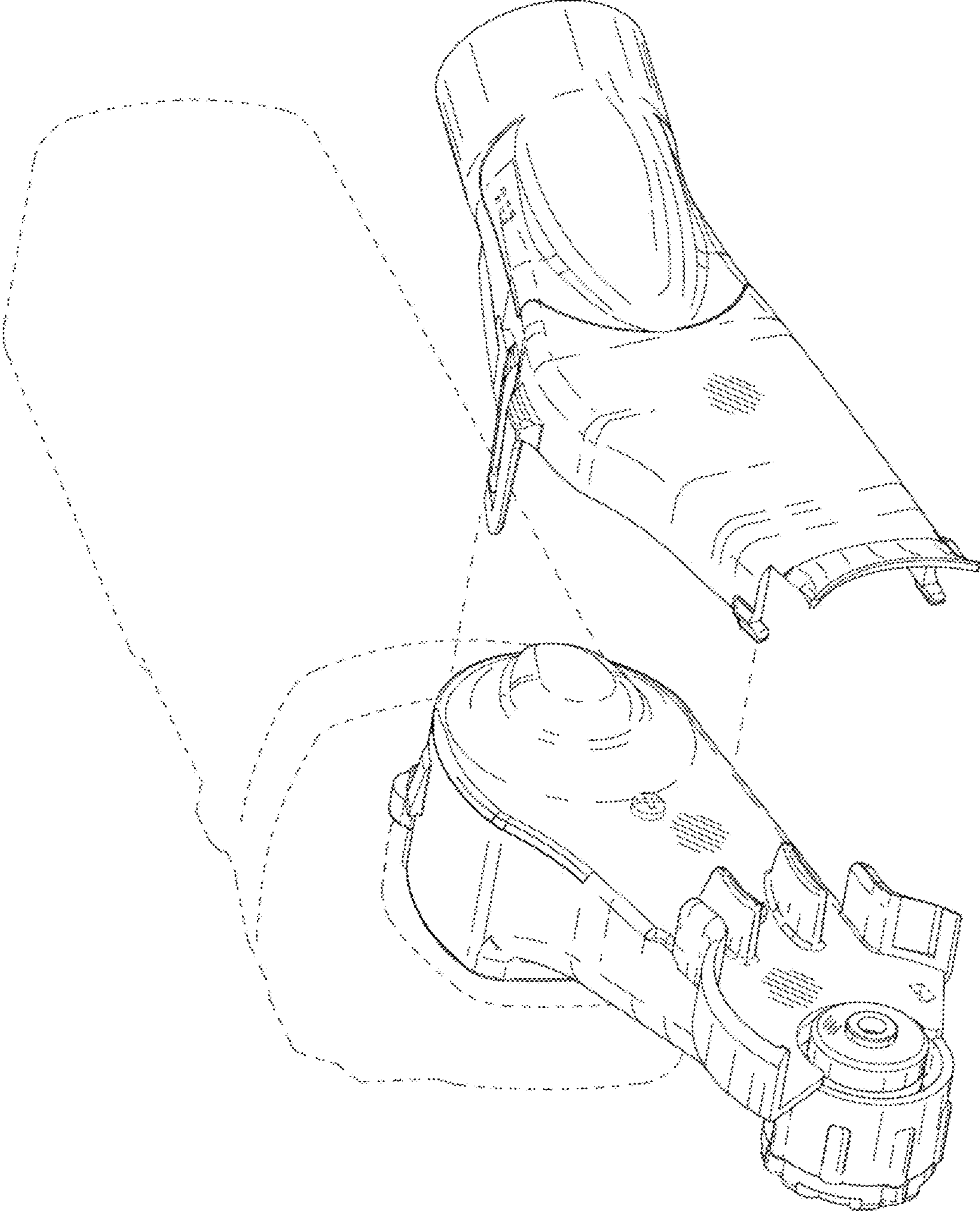


FIG. 15



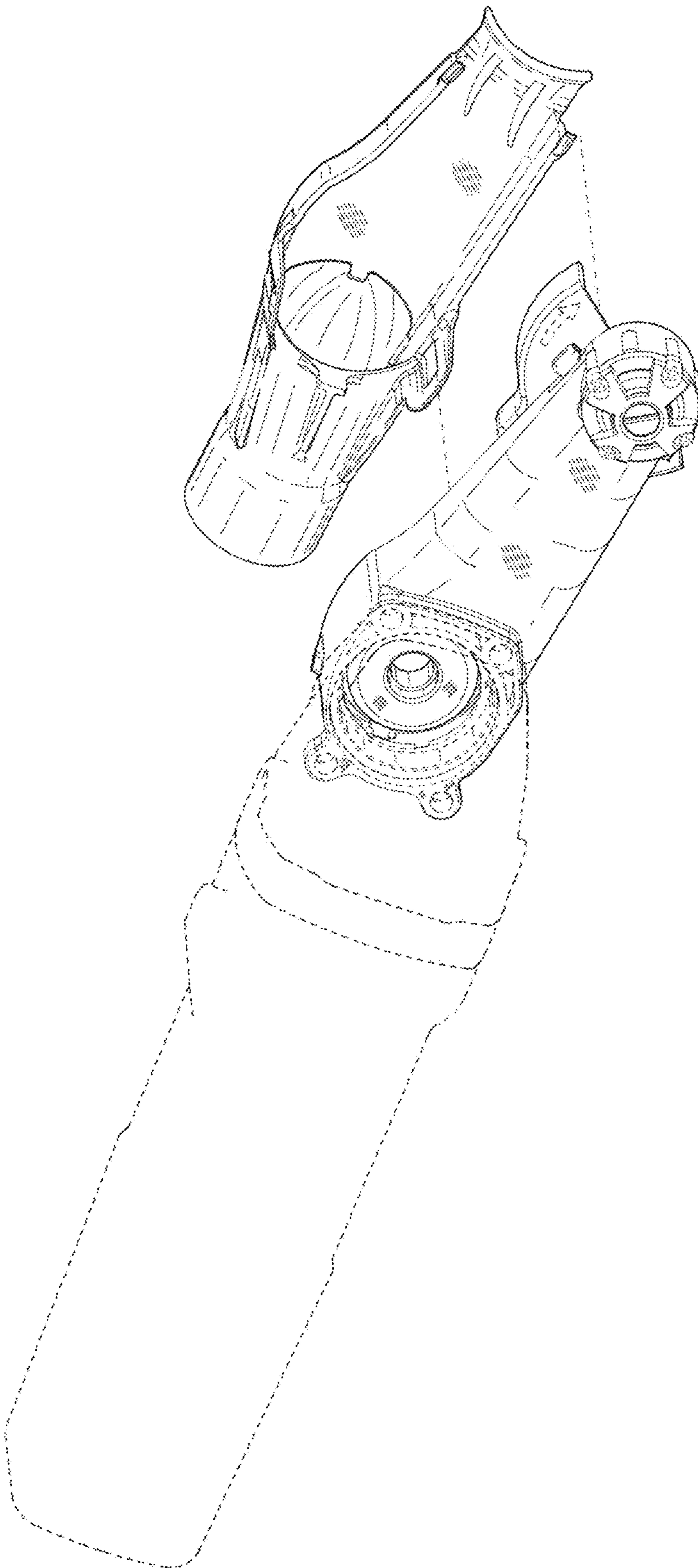


FIG. 16