



US00D872547S

(12) **United States Design Patent**
Skafdrup et al.

(10) **Patent No.:** **US D872,547 S**
(45) **Date of Patent:** **** Jan. 14, 2020**

(54) **DISCHARGE DEVICE**
(71) Applicant: **Sulzer Mixpac AG**, Haag (CH)
(72) Inventors: **Simon Skafdrup**, Aarhus (DK); **Claus Hansesgaard**, Beder (DK)
(73) Assignee: **SULZER MIXPAC AG**, Haag (CH)
(**) Term: **15 Years**
(21) Appl. No.: **29/637,238**
(22) Filed: **Feb. 15, 2018**

8,499,977 B2 * 8/2013 Hughes B05C 17/00559
222/129
8,573,540 B2 * 11/2013 Bonieux B63B 35/7979
244/155 A
8,740,021 B2 * 6/2014 Naughton G01F 11/00
192/54.5
8,998,039 B2 * 4/2015 Kimura B65D 83/0033
222/327
9,039,557 B2 * 5/2015 Naughton B05C 17/0103
221/229
D751,875 S * 3/2016 Eckstein D8/14.1
2008/0197154 A1 * 8/2008 Herman B05C 17/01
222/326

* cited by examiner

(30) **Foreign Application Priority Data**

Aug. 17, 2017 (EM) 004151371-0006
Aug. 17, 2017 (EM) 004151371-0008

(51) **LOC (12) Cl.** **08-05**
(52) **U.S. Cl.**
USPC **D8/14.1**
(58) **Field of Classification Search**
USPC D8/14, 14.1, 51, 68
CPC B05C 1/00; B05C 17/00; B05C 17/01;
B05C 17/0016; B05C 17/0123; B05C
21/00
See application file for complete search history.

Primary Examiner — Philip S Hyder
(74) *Attorney, Agent, or Firm* — Global IP Counselors,
LLP

(57) **CLAIM**

The ornamental design for a discharge device, as shown and described.

DESCRIPTION

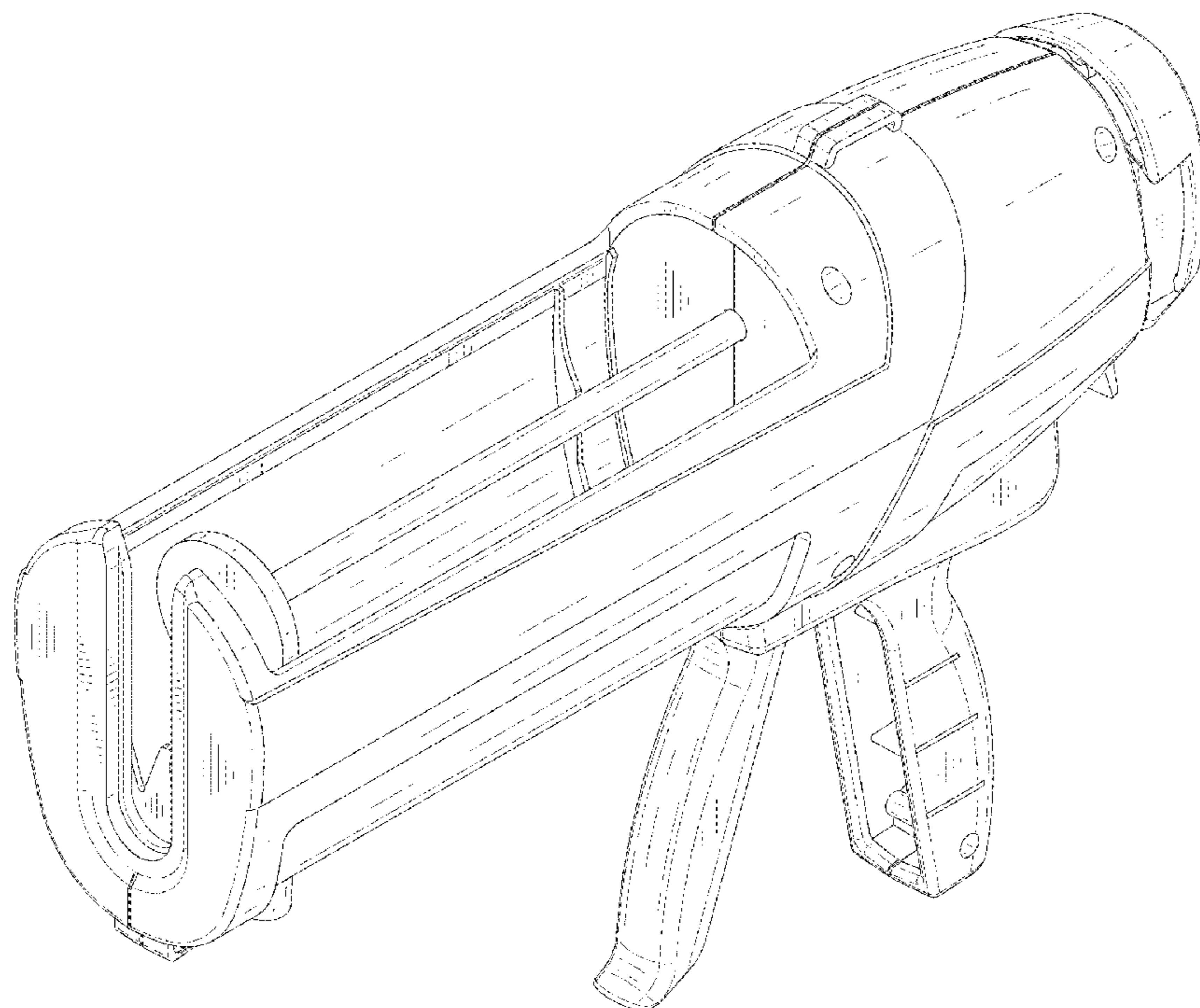
FIG. 1 is a perspective top side view in accordance with our new design;
FIG. 2 is a left side view thereof;
FIG. 3 is a right side view thereof;
FIG. 4 is a front view thereof,
FIG. 5 is a back view thereof;
FIG. 6 is a top side view thereof; and,
FIG. 7 is a bottom side view thereof.
The broken lines shown in the drawings depict portions of the invention that form no part of the claimed design.

(56) **References Cited**

U.S. PATENT DOCUMENTS

4,376,798 A * 3/1983 Diaz B32B 3/28
428/43
D453,451 S * 2/2002 Yu D7/699
D511,077 S * 11/2005 Huang D8/14.1
D635,835 S * 4/2011 Post D8/14.1
D640,517 S * 6/2011 Rumrill D8/14.1

1 Claim, 5 Drawing Sheets



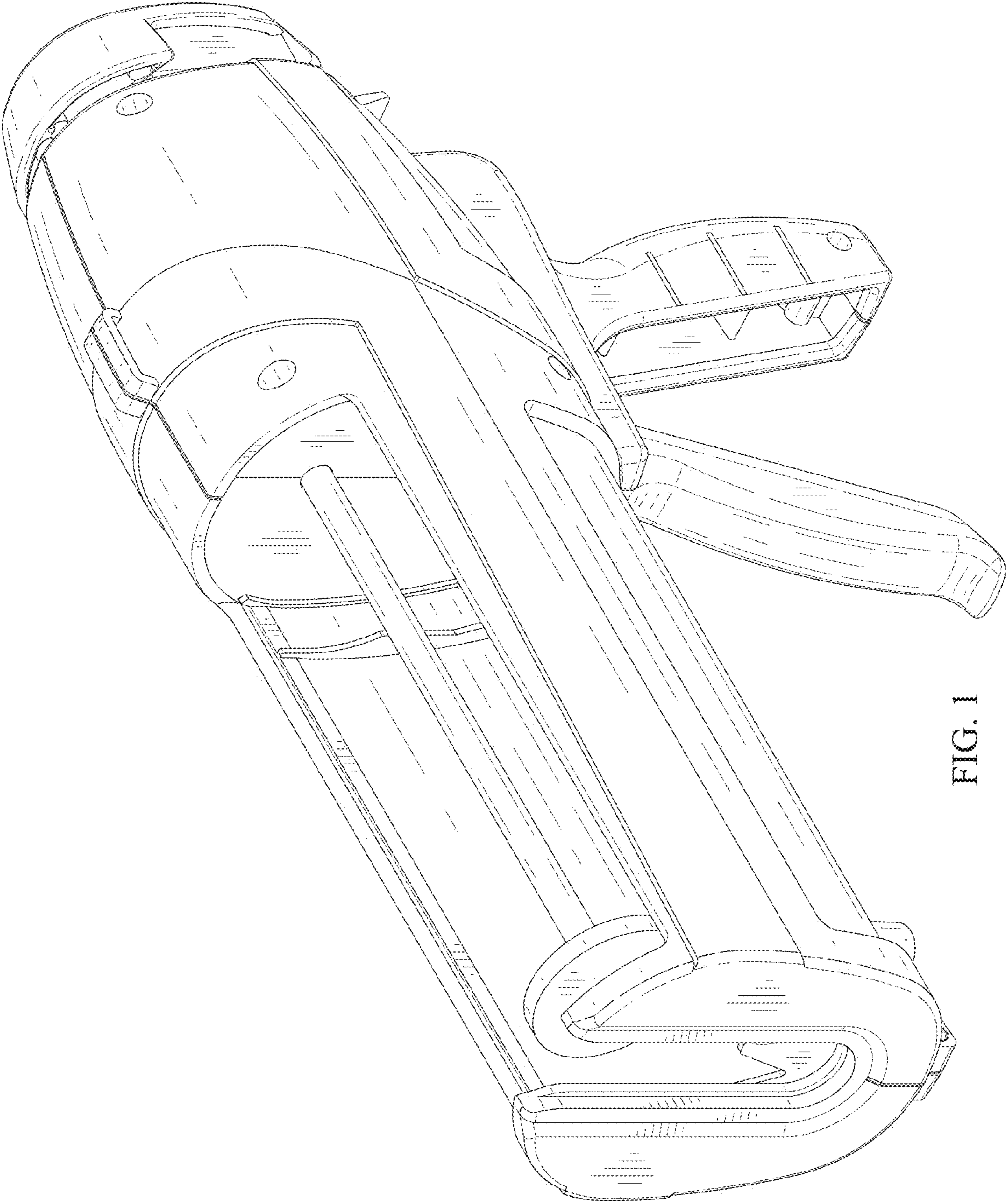


FIG. 1

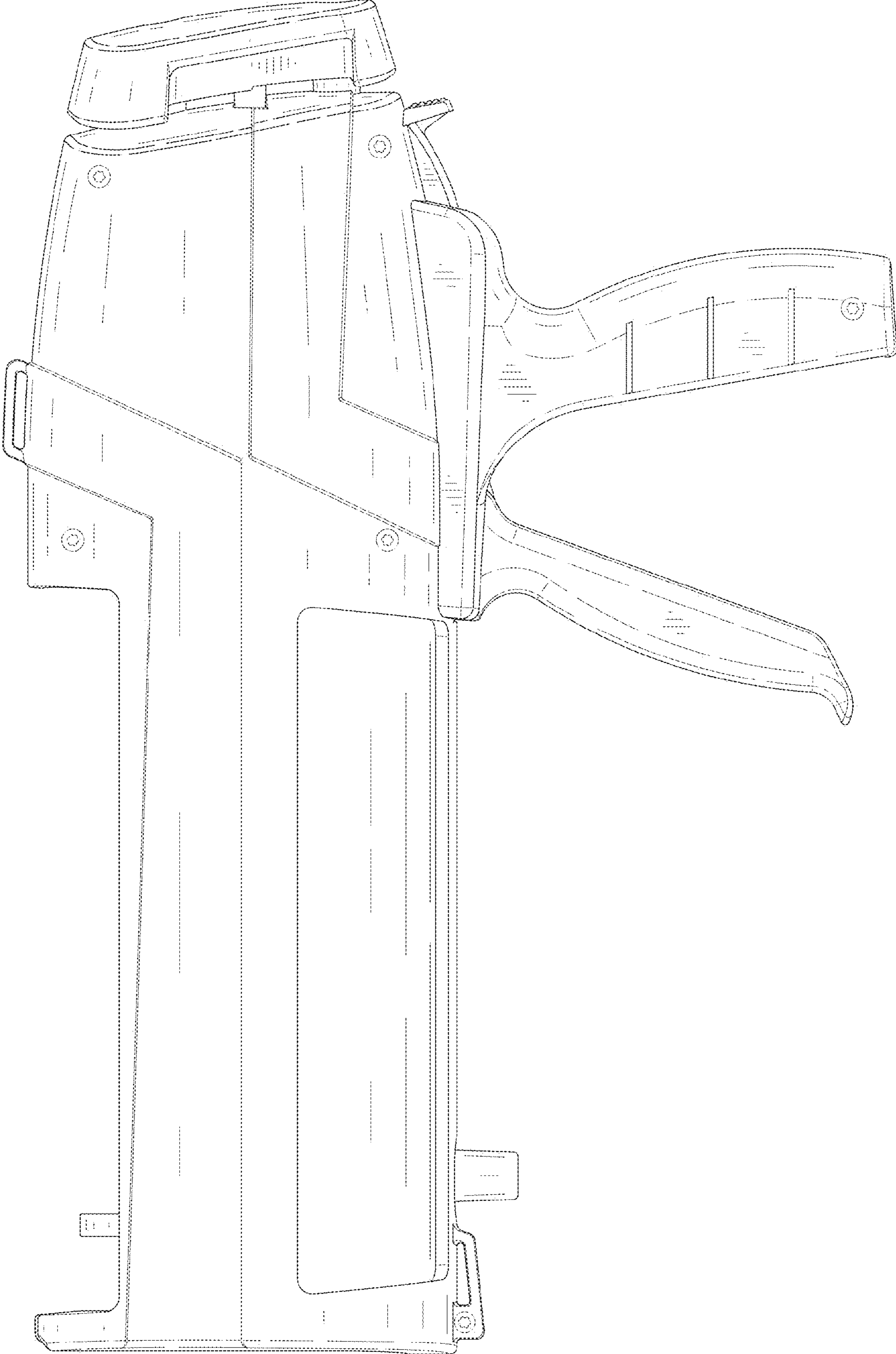


FIG. 2

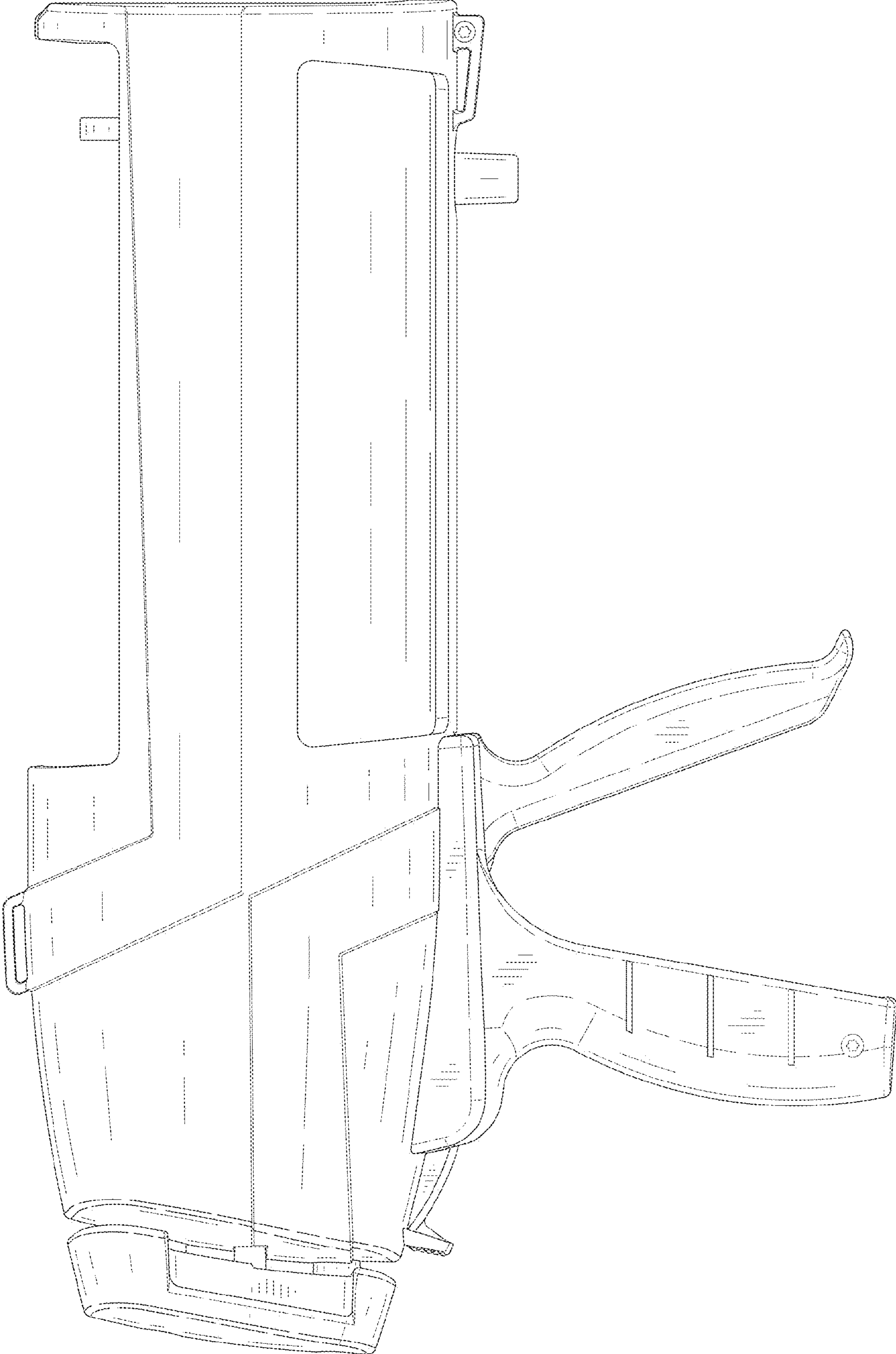


FIG. 3

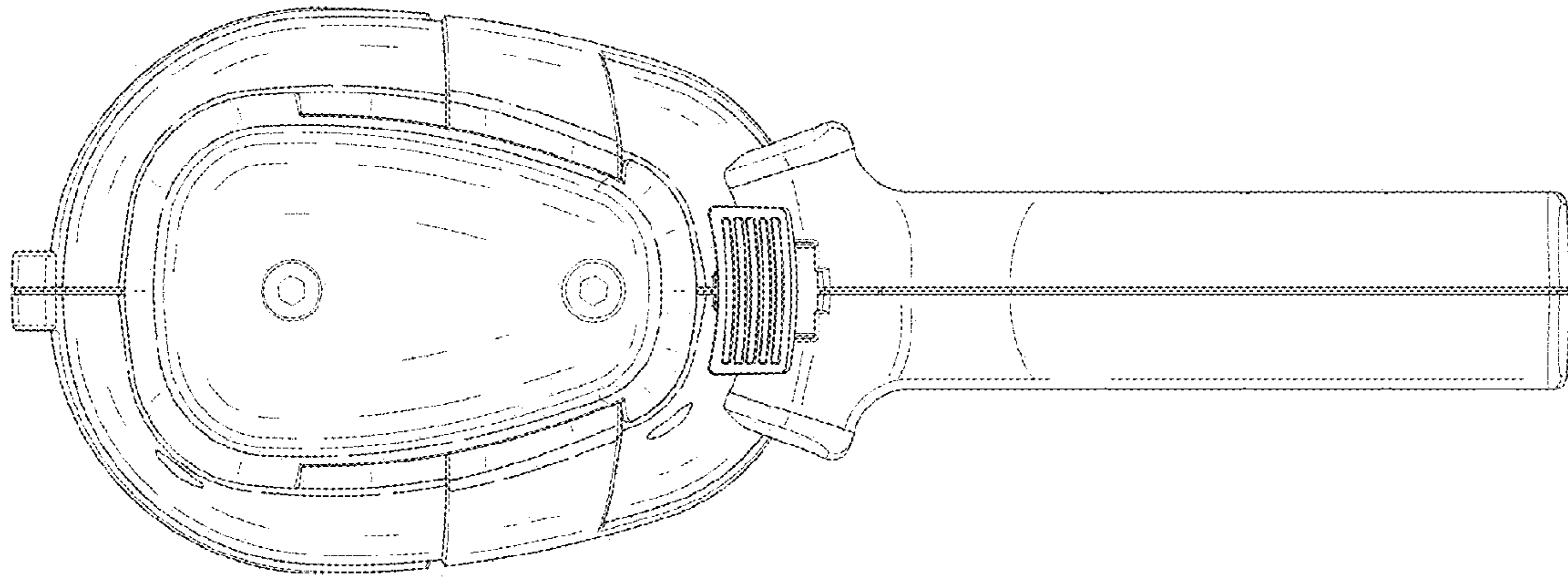


FIG. 5

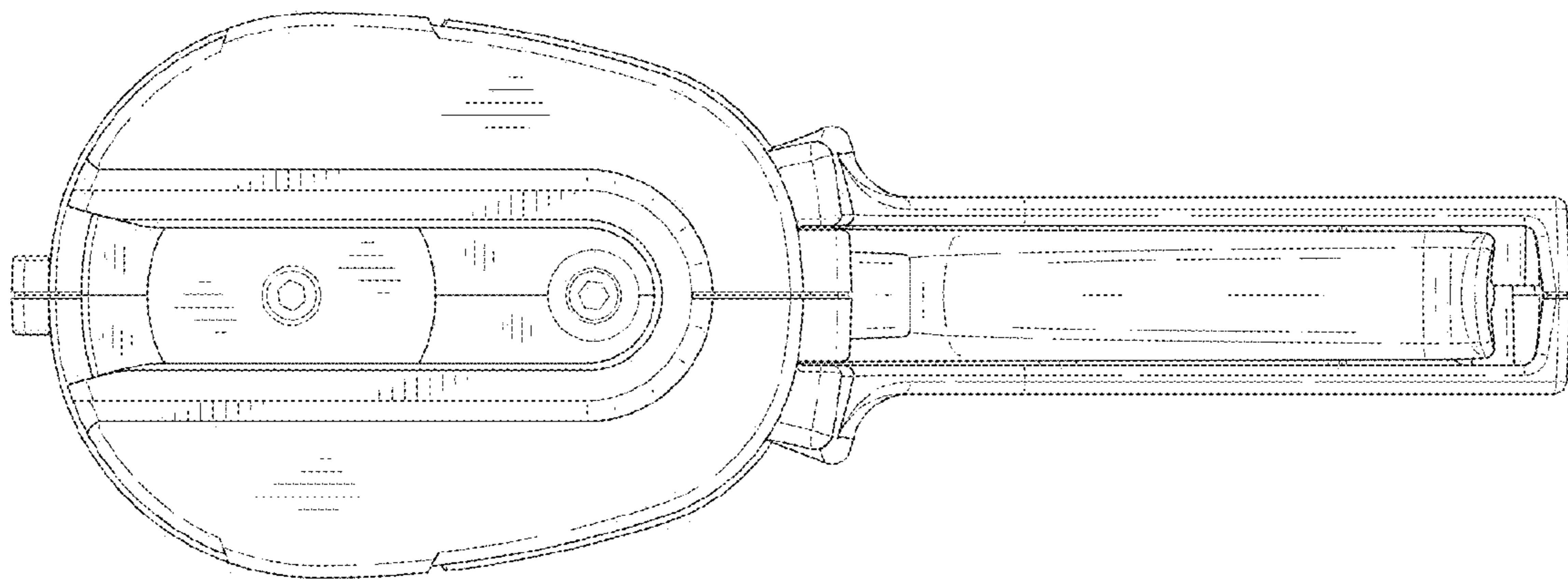


FIG. 4

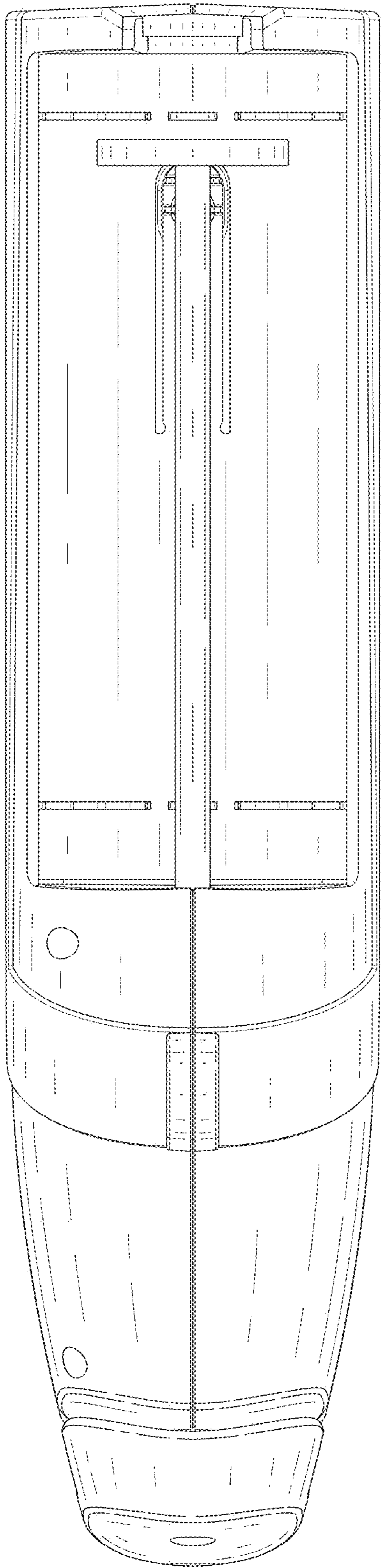


FIG. 6

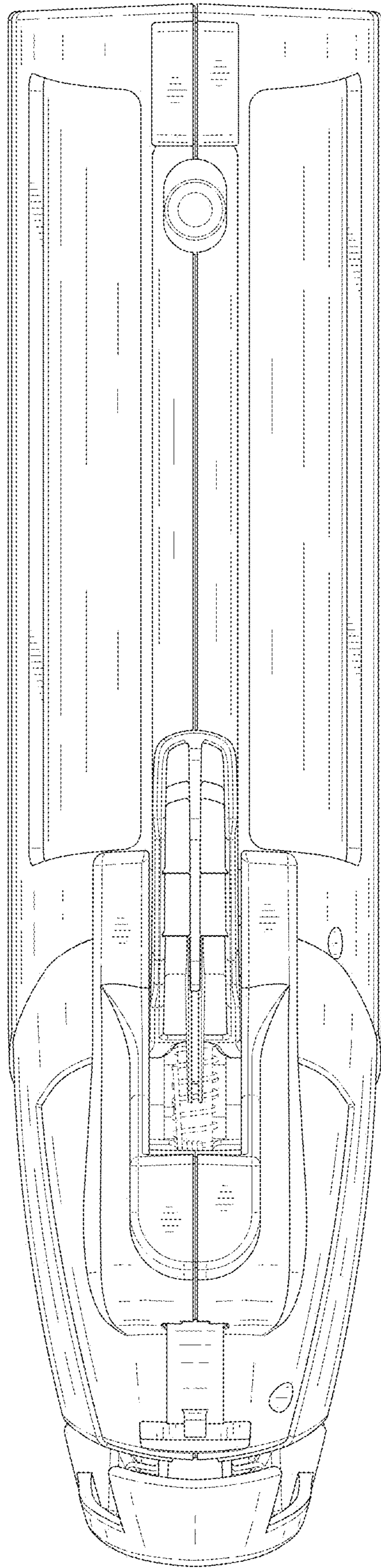


FIG. 7